



US00D437259S

(12) **United States Design Patent**  
**Edgeller et al.**

(10) **Patent No.:** **US D437,259 S**

(45) **Date of Patent:** **\*\* Feb. 6, 2001**

(54) **ENCLOSURE MODULE FOR A PORTABLE MACHINE**

(75) Inventors: **Peter Edgeller**, Southport; **Jamie R. Wilson**, Blackpool, both of (GB)

(73) Assignee: **Ingersoll-Rand Company**, Woodcliff, NJ (US)

(\*\*) Term: **14 Years**

2,964,349	12/1960	Pickering, Jr. et al. ....	296/16
3,143,373	8/1964	Fordyce .....	296/107
4,211,337	7/1980	Weavers et al. ....	220/341
4,216,990	8/1980	Musgrove et al. ....	296/213
4,372,568	2/1983	Campbell .....	280/63
4,396,208	8/1983	Koch .....	280/31
4,420,057	12/1983	Omote et al. ....	180/54 A
4,502,725	3/1985	Wiant .....	296/181
4,537,441	8/1985	McCleariy .....	296/181

(List continued on next page.)

(21) Appl. No.: **29/116,210**

(22) Filed: **Dec. 29, 1999**

**Related U.S. Application Data**

(63) Continuation-in-part of application No. 29/095,401, filed on Oct. 22, 1998, now abandoned.

(30) **Foreign Application Priority Data**

Jul. 24, 1998 (GB) ..... 2076333

(51) **LOC (7) Cl.** ..... **12-10**

(52) **U.S. Cl.** ..... **D12/101**

(58) **Field of Search** ..... D12/101-102;  
280/656, 789, 482, 63

(56) **References Cited**

**U.S. PATENT DOCUMENTS**

D. 58,917	9/1921	Labourdette .	
D. 58,918	9/1921	Labourdette .	
D. 91,938	4/1934	Goin et al. .	
D. 100,485	7/1936	Broomall .	
D. 144,748	5/1946	Weissberg .....	D12/101
D. 389,439	1/1998	Friedrich .....	D12/102
D. 389,785	1/1998	Guzak .....	D12/102
D. 391,526	3/1998	Kass et al. ....	D12/102
D. 396,668	8/1998	Ewald .....	D12/101
D. 405,727 *	2/1999	Ewald .....	D12/101
2,033,731	3/1936	Nallinger .....	180/54
2,157,793	5/1939	Lang .....	280/153
2,197,503	4/1940	Martin .....	123/119
2,684,204	7/1954	Lamb .....	237/12.3
2,881,860	4/1959	Ternes .....	183/62
2,894,783	7/1959	Bird .....	296/23

**FOREIGN PATENT DOCUMENTS**

0 155 874 A1	9/1985	(EP) .
1 088 454	10/1967	(GB) .
1 305 655	2/1973	(GB) .
2179 594	8/1987	(GB) .
WO 96/00667		
A1	1/1996	(WO) .
WO 98/12100		
A1	3/1998	(WO) .

\* cited by examiner

*Primary Examiner*—Melody N. Brown

(74) *Attorney, Agent, or Firm*—Michael M. Gnibus

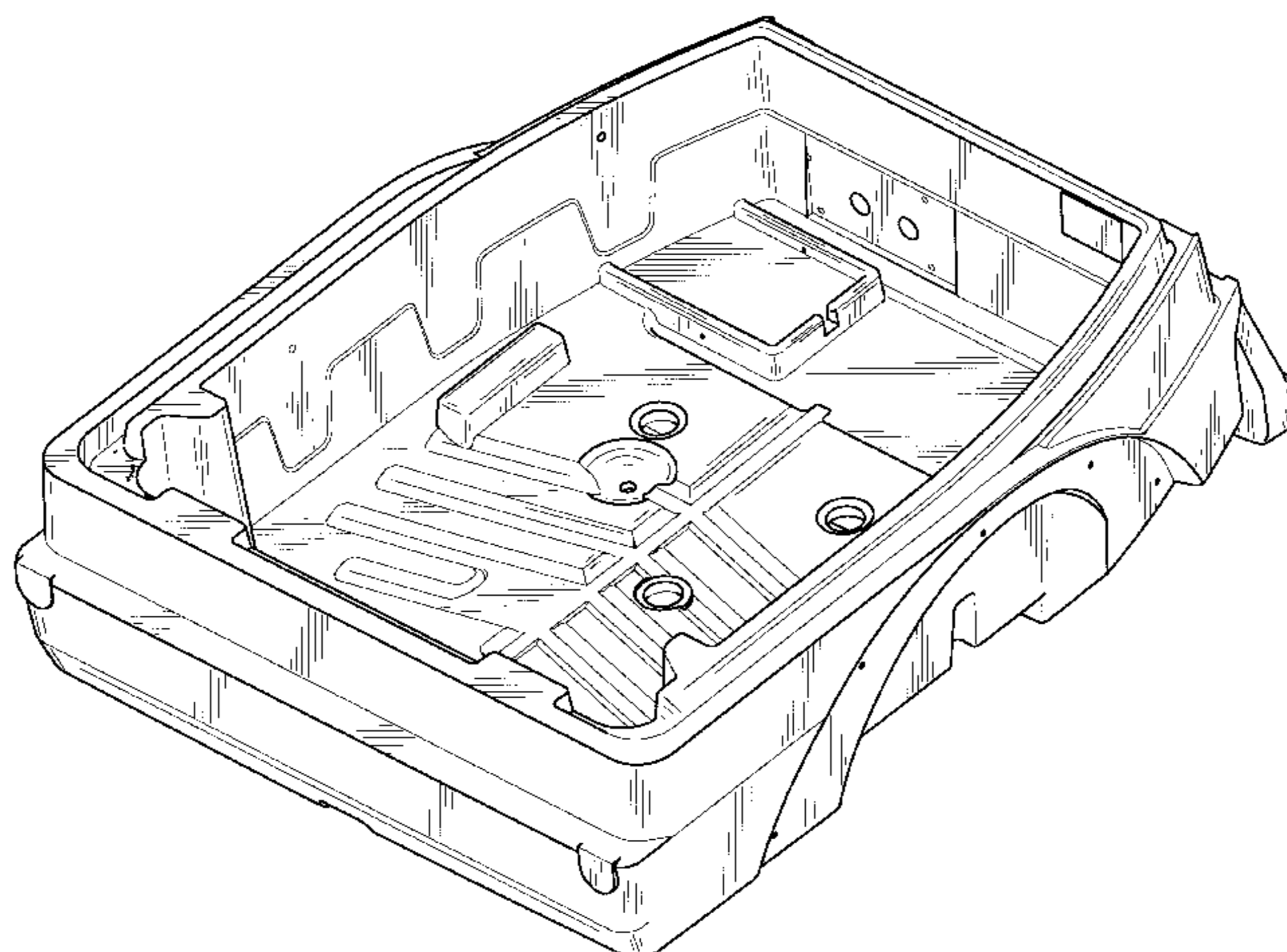
(57) **CLAIM**

The ornamental design for an enclosure module for a portable machine, as shown and described.

**DESCRIPTION**

FIG. 1 is a perspective view of an enclosure module for a portable machine according to the present invention; FIG. 2 is a top view of the enclosure module for a portable machine shown in FIG. 1, the bottom being unornamental; FIG. 3 is a right side view of the enclosure module for a portable machine shown in FIG. 1; FIG. 4 is a left side view of the enclosure module for a portable machine shown in FIG. 1; FIG. 5 is a front view of the enclosure module for a portable machine shown in FIG. 1; and, FIG. 6 is a rear view of the enclosure module for a portable machine shown in FIG. 1.

**1 Claim, 3 Drawing Sheets**



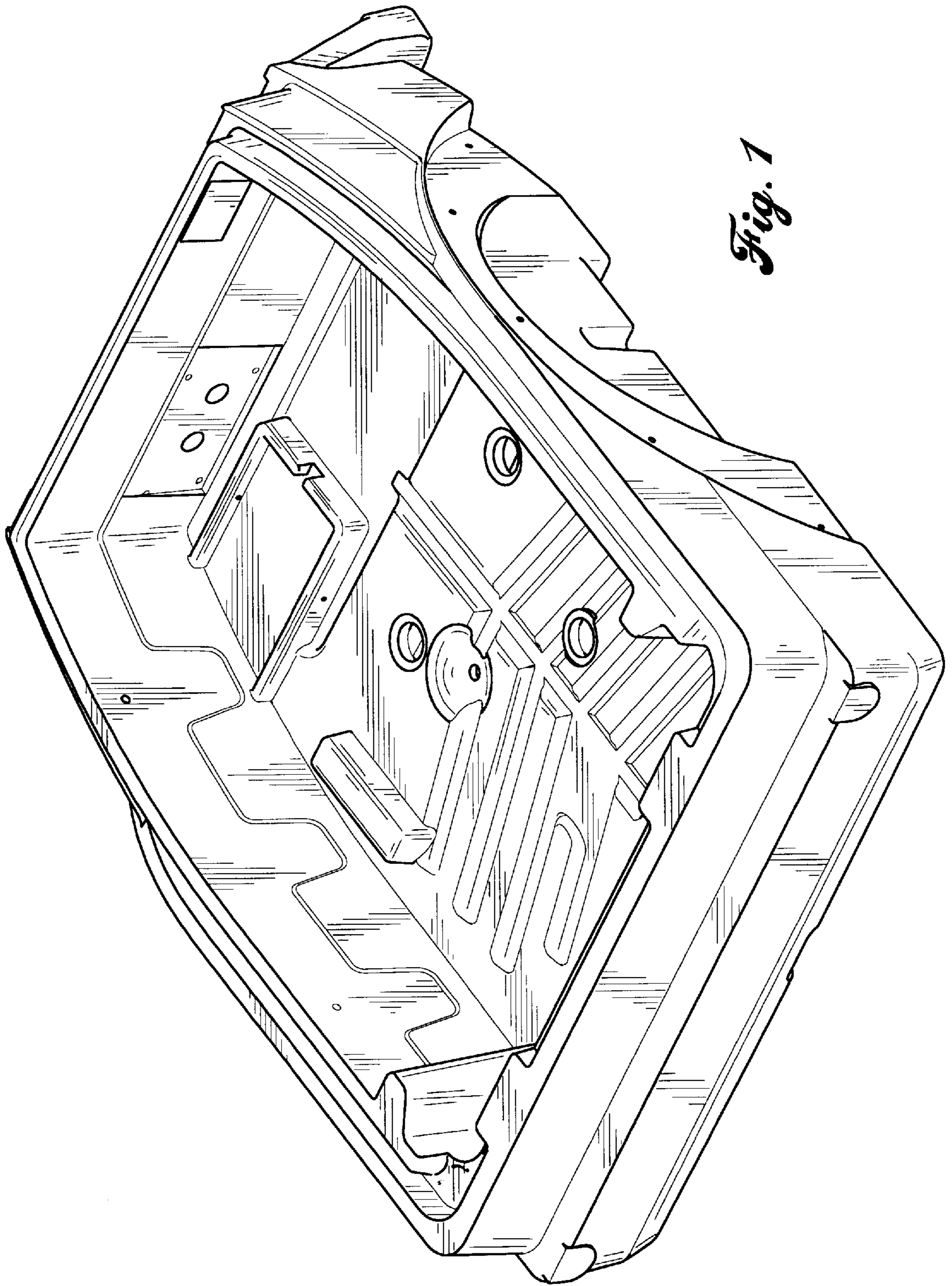
# US D437,259 S

Page 2

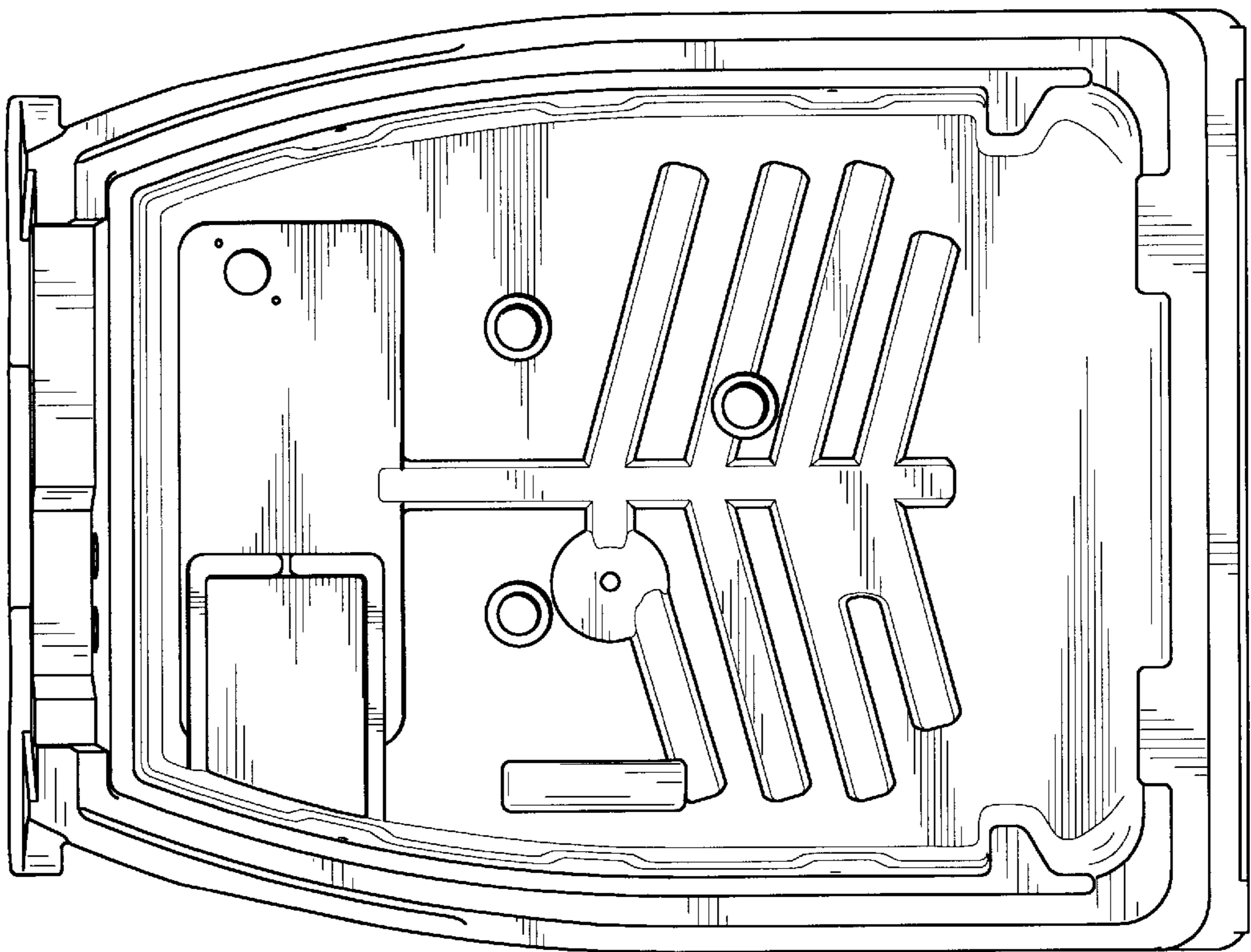
---

## U.S. PATENT DOCUMENTS

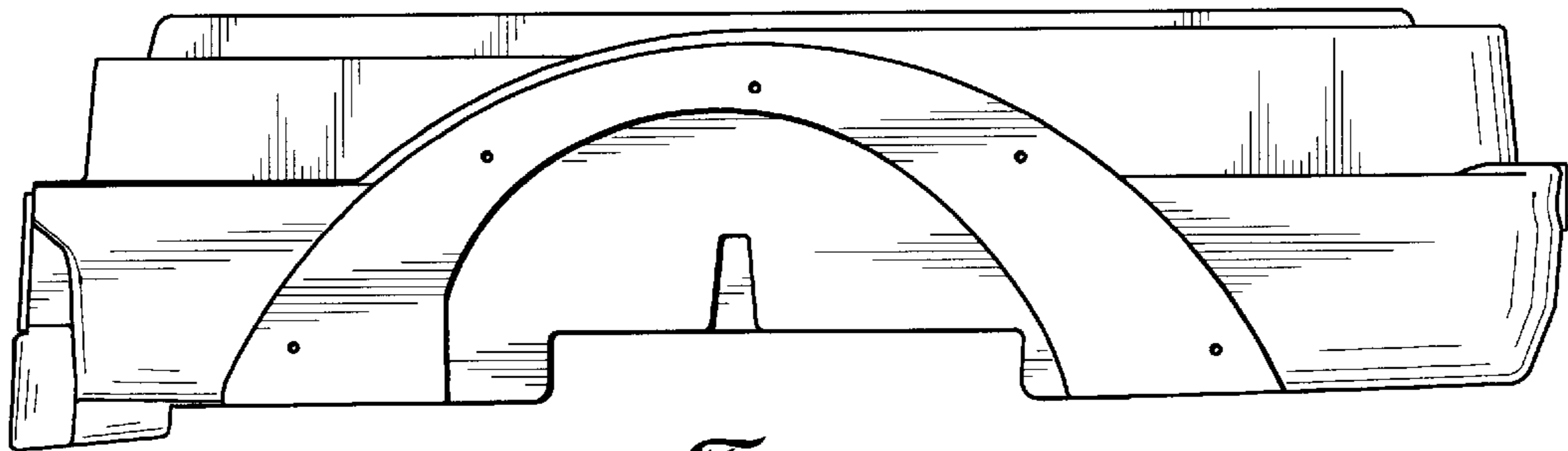
4,615,464	10/1986	Byrns .....	220/469	5,417,465	5/1995	Koppenstein et al. ....	296/39.1
4,681,178	7/1987	Brown .....	180/68.3	5,518,262	5/1996	Hutchinson .....	280/475
4,690,204	9/1987	Reichel et al. ....	165/44	5,527,081	6/1996	Rausch et al. ....	296/107
4,828,132	5/1989	Francis, Jr. et al. ....	220/6	5,632,522	5/1997	Gaitan et al. ....	296/100
4,932,490	6/1990	Dewey .....	180/68.3	5,653,494	8/1997	Cleall et al. ....	296/182
4,982,971	1/1991	Marin .....	280/30	5,673,956	10/1997	Emery .....	276/39.2
5,088,616	2/1992	Susko et al. ....	220/343	5,681,074	10/1997	Christensen .....	296/181
5,178,435	1/1993	Anderson .....	296/208	5,725,272	3/1998	Jones .....	296/208
				5,741,390	4/1998	Schmuck et al. ....	156/280



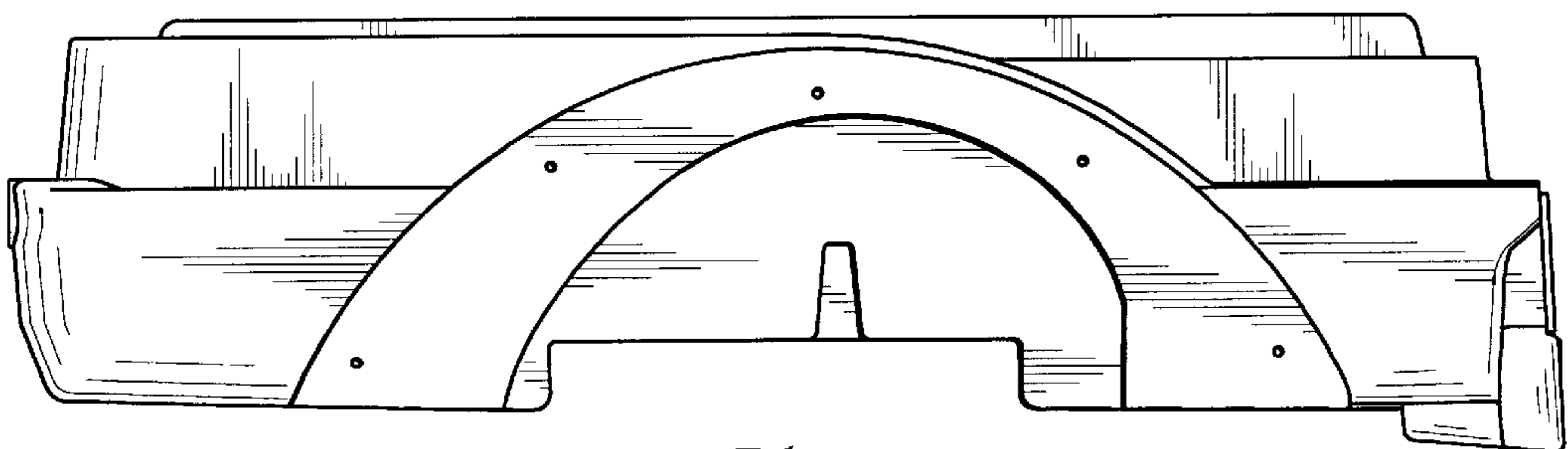
*Fig. 1*



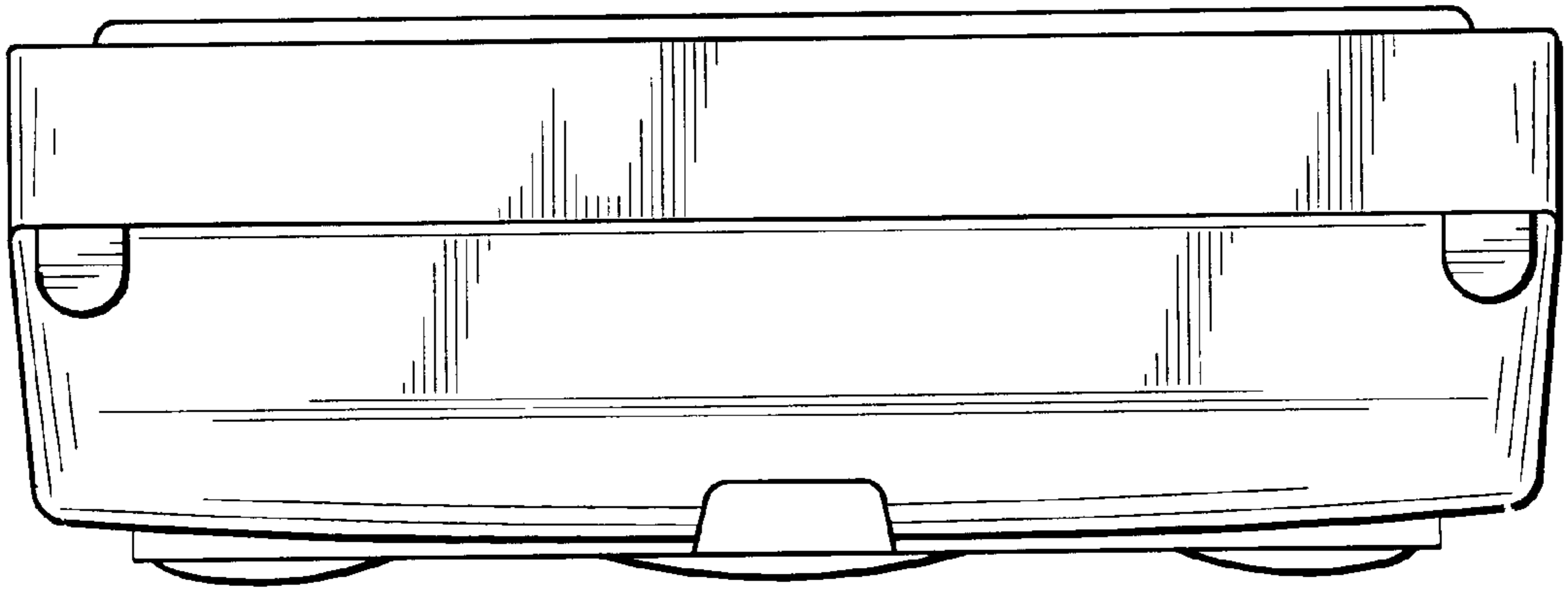
*Fig. 2*



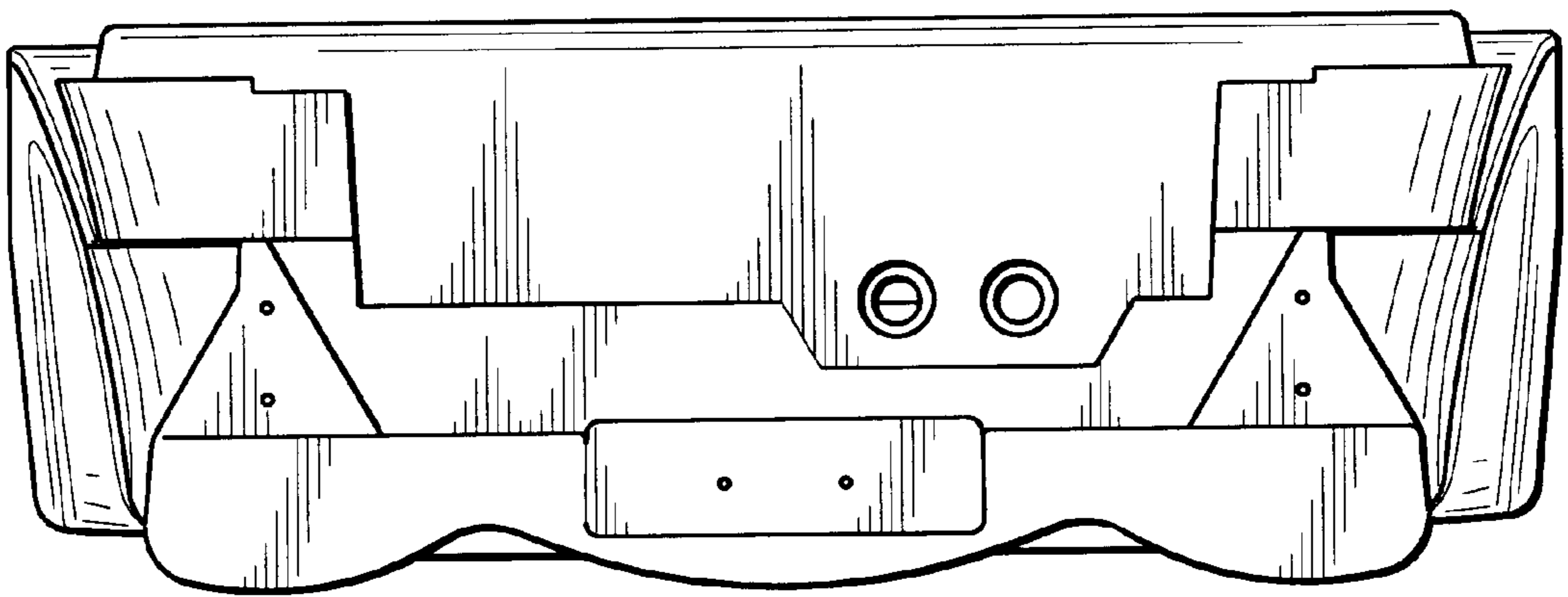
*Fig. 3*



*Fig. 4*



*Fig. 5*



*Fig. 6*