



US00D437258S

(12) **United States Design Patent** (10) **Patent No.:** **US D437,258 S**
Meryman et al. (45) **Date of Patent:** **** Feb. 6, 2001**

(54) **TRUCK BODY**

(75) Inventors: **Roy L. Meryman**, Renton; **Wayne K. Simons**, Kent, both of WA (US)

(73) Assignee: **PACCAR Inc**, Bellevue, WA (US)

(**) Term: **14 Years**

(21) Appl. No.: **29/122,713**

(22) Filed: **May 1, 2000**

Related U.S. Application Data

(62) Division of application No. 29/106,666, filed on Jun. 18, 1999, now Pat. No. Des. 423,990, which is a division of application No. 29/053,898, filed on May 1, 1996, now Pat. No. Des. 411,140.

(51) **LOC (7) Cl.** **12-08**

(52) **U.S. Cl.** **D12/96**

(58) **Field of Search** D12/96, 97; 296/181, 296/190; 180/89.11, 89.12, 89.14, 89.16

(56) **References Cited**

U.S. PATENT DOCUMENTS

D. 312,805	12/1990	Marlowe et al. .	
D. 320,583	10/1991	Simons et al. .	
D. 328,273	7/1992	Kerney et al. .	
D. 366,638	1/1996	Tucker et al. .	
D. 394,026	5/1998	Hellhake et al.	D12/96
D. 399,791	10/1998	Hellhake et al.	D12/96
D. 399,792	10/1998	Hellhake et al.	D12/96
D. 403,636	1/1999	Meryman et al.	D12/169
D. 406,553	3/1999	Hellhake et al.	D12/96
D. 411,140	6/1999	Meryman et al.	D12/96
D. 423,990 *	5/2000	Meryman et al.	D12/96
D. 425,826 *	5/2000	Hellhake et al.	D12/96
5,308,134	5/1994	Stanesu .	

OTHER PUBLICATIONS

“Kenworth The World’s Best.”, Kenworth Truck Company brochure, Kirkland, WA.

“Kenworth: Historical Background”, Kenworth Truck Company brochure, Kirkland, WA.

“Kenworth K100E”, Canadian Kenworth Truck Company brochure, Mississauga, Ontario.

“Kenworth T300”, Kenworth Truck Company brochure, Kirkland, WA.

“Kenworth T400B”, Kenworth Truck Company brochure, Kirkland, WA.

“Kenworth C500B The Ultimate Survivor”, Kenworth Truck Company brochure, Kirkland, WA.

“Kenworth’s T600: Ten Years of Innovation”, Kenworth Truck Company brochure, Kirkland, WA (Jun. 1995).

“Kenworth T600”, Kenworth Truck Company brochure, Kirkland, WA.

“Kenworth T600A, The Conventional Made Extraordinary”, Kenworth Truck Company Brochure, Kirkland, WA.

“Kenworth T800”, Kenworth Truck Company brochure, Kirkland, WA.

“Kenworth T800B”, Kenworth Truck Company brochure, Kirkland, WA.

“Kenworth W900”, Kenworth Truck Company brochure, Kirkland, WA.

“Kenworth W900L Aerocab”, Kenworth Truck Company brochure, Kirkland, WA.

“Kenworth Construction Trucks”, Canadian Kenworth Truck Company brochure, Mississauga, Ontario.

“Kenworth Aerocab”, Kenworth Truck Company brochure, Kirkland, WA.

“Last Year, One Idea Changed A Lot of Attitudes About Driver Retention—Aerocab”, Kenworth Truck Company brochure, Kirkland, WA.

“Kenworth Studio Sleeper”, Kenworth Truck Company brochure, Kirkland, WA.

* cited by examiner

Primary Examiner—Melody N. Brown

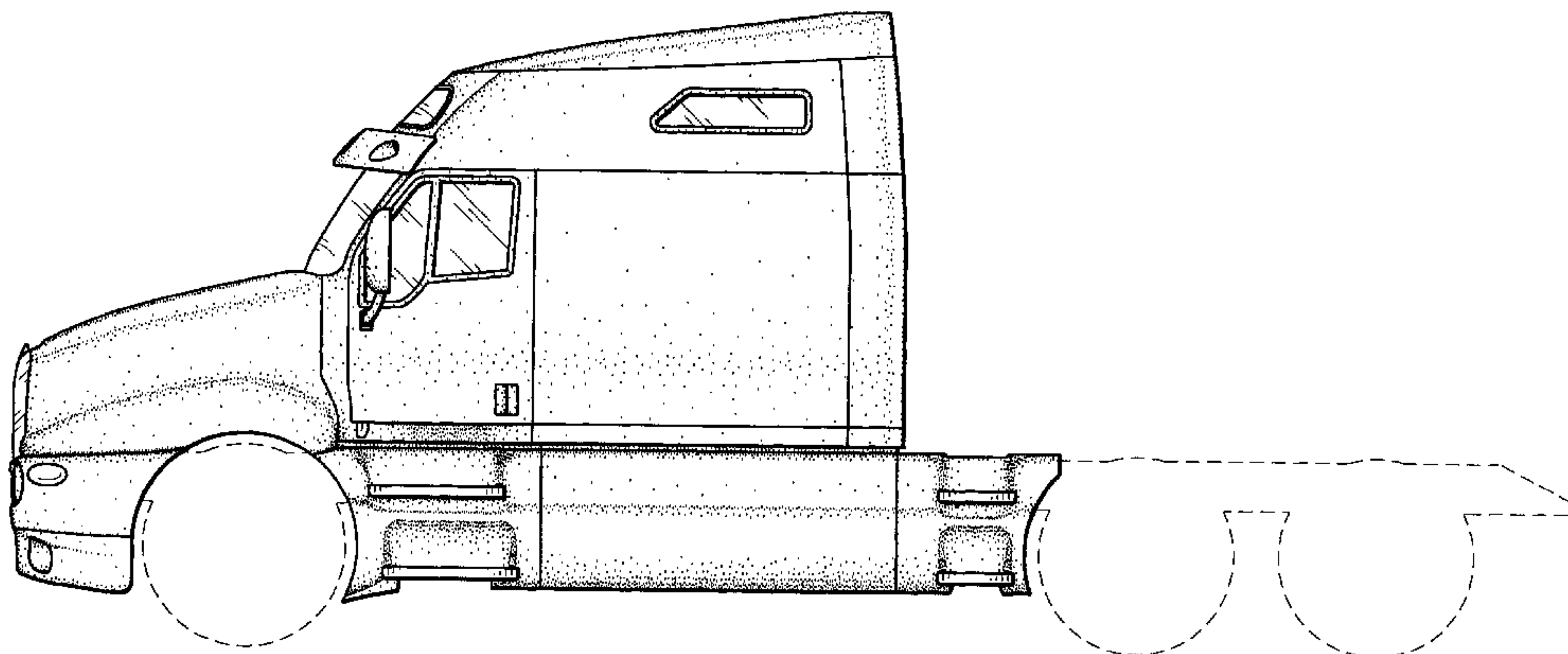
(74) *Attorney, Agent, or Firm*—Wells, St. John, Roberts, Gregory & Matkin, P.S.

(57) **CLAIM**

The ornamental design for a truck body, as shown and described.

DESCRIPTION

FIG. 1 is a side elevational view of a truck body according



to the invention. The opposite side elevational view is a mirror image of the view shown in FIG. 1.

FIG. 2 is a top view of the truck body of FIG. 1.

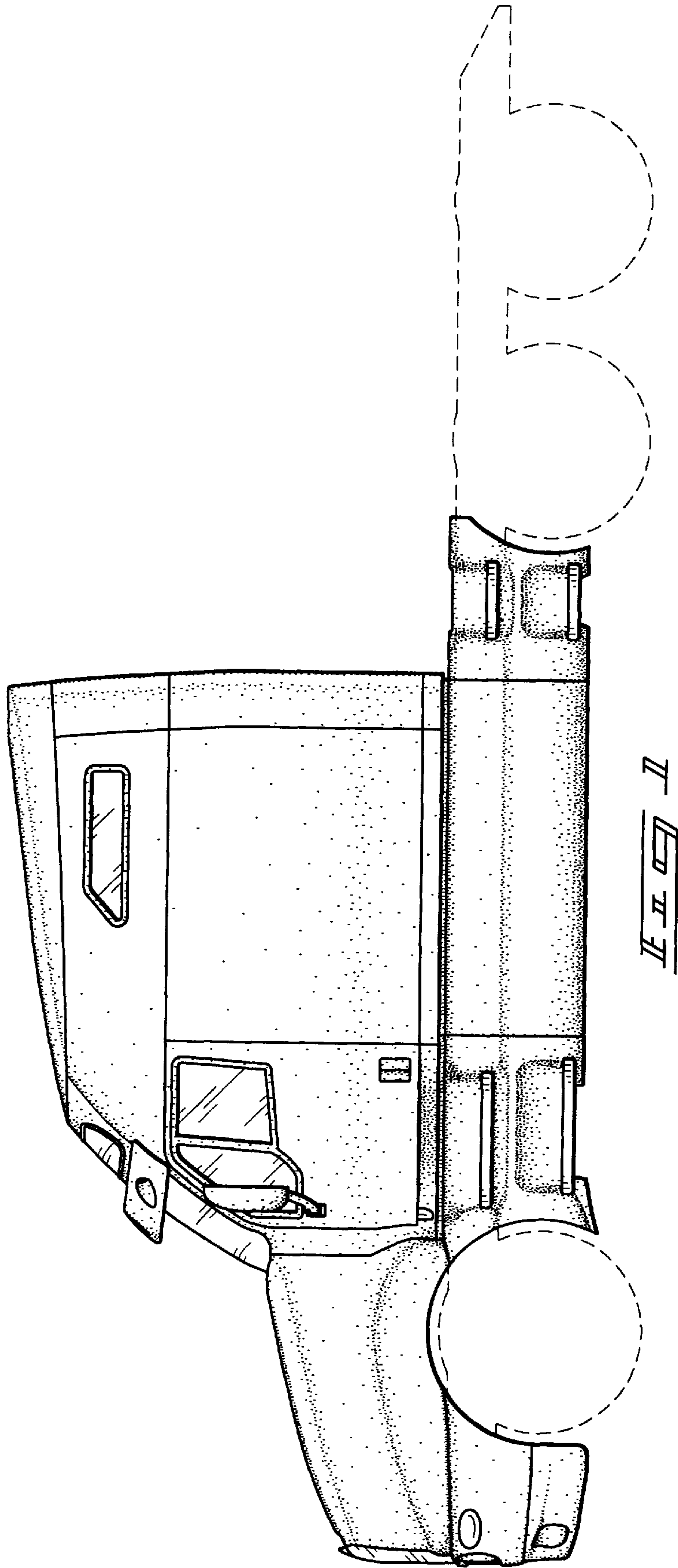
FIG. 3 is a front view of the truck body of FIG. 1; and,

FIG. 4 is a rear elevational view of the truck body of FIG.

1.

The truck portions shown in broken lines are for illustrative purposes only and form no part of the claimed design.

1 Claim, 4 Drawing Sheets



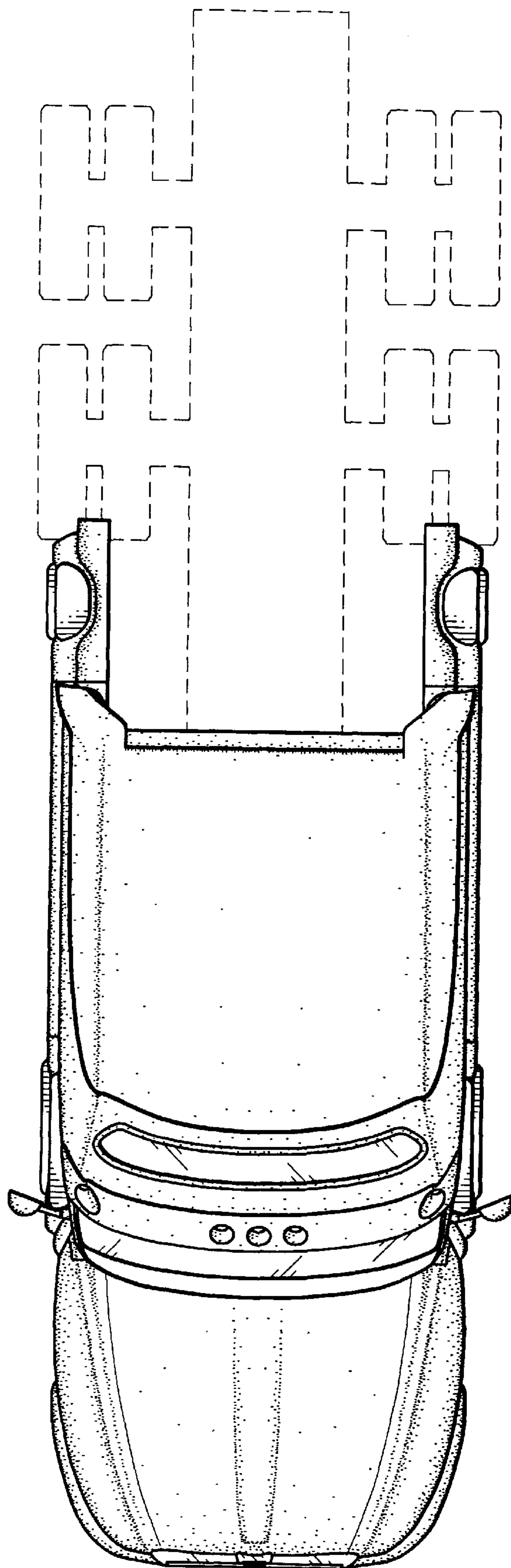


FIG. 2

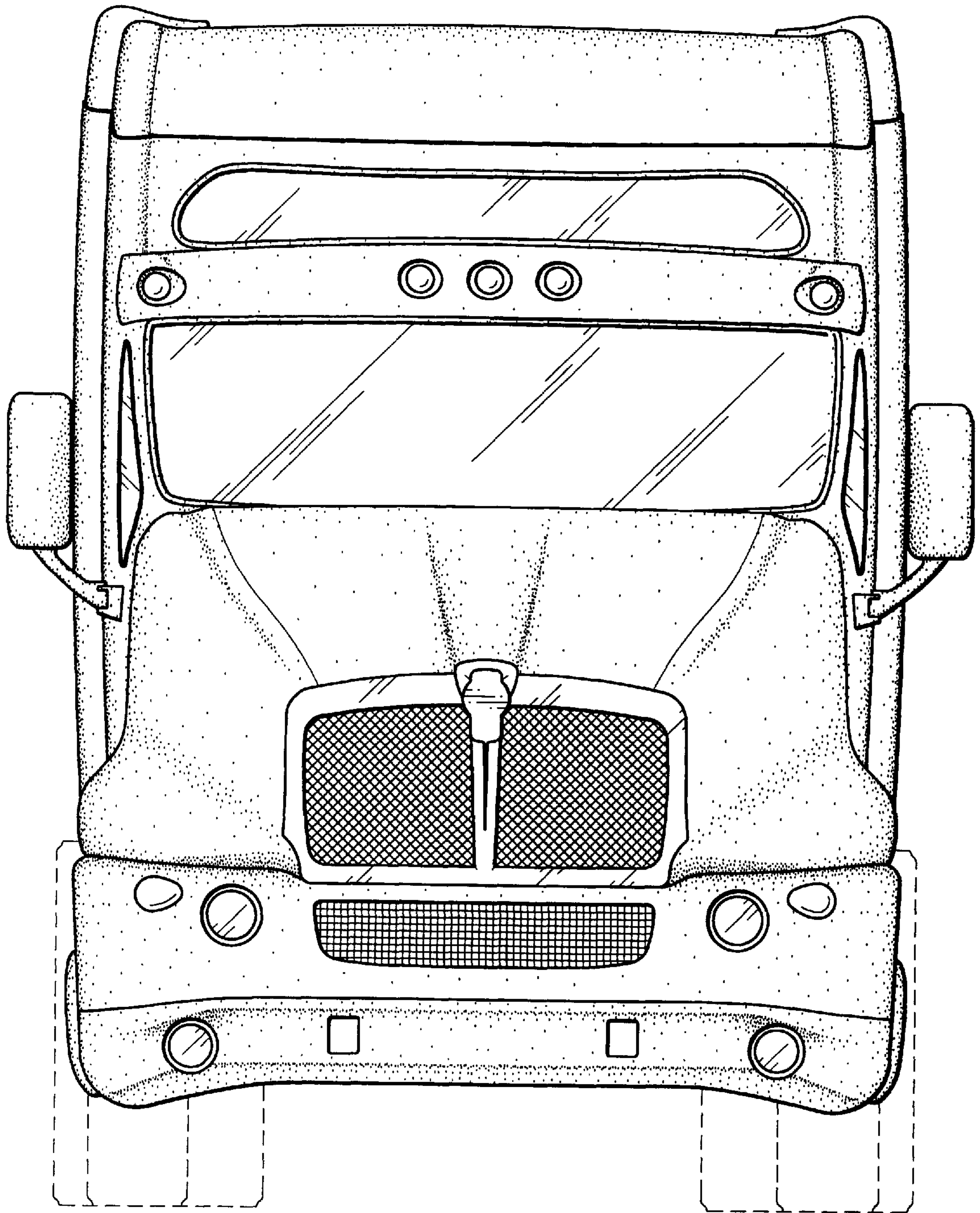


FIG. 3

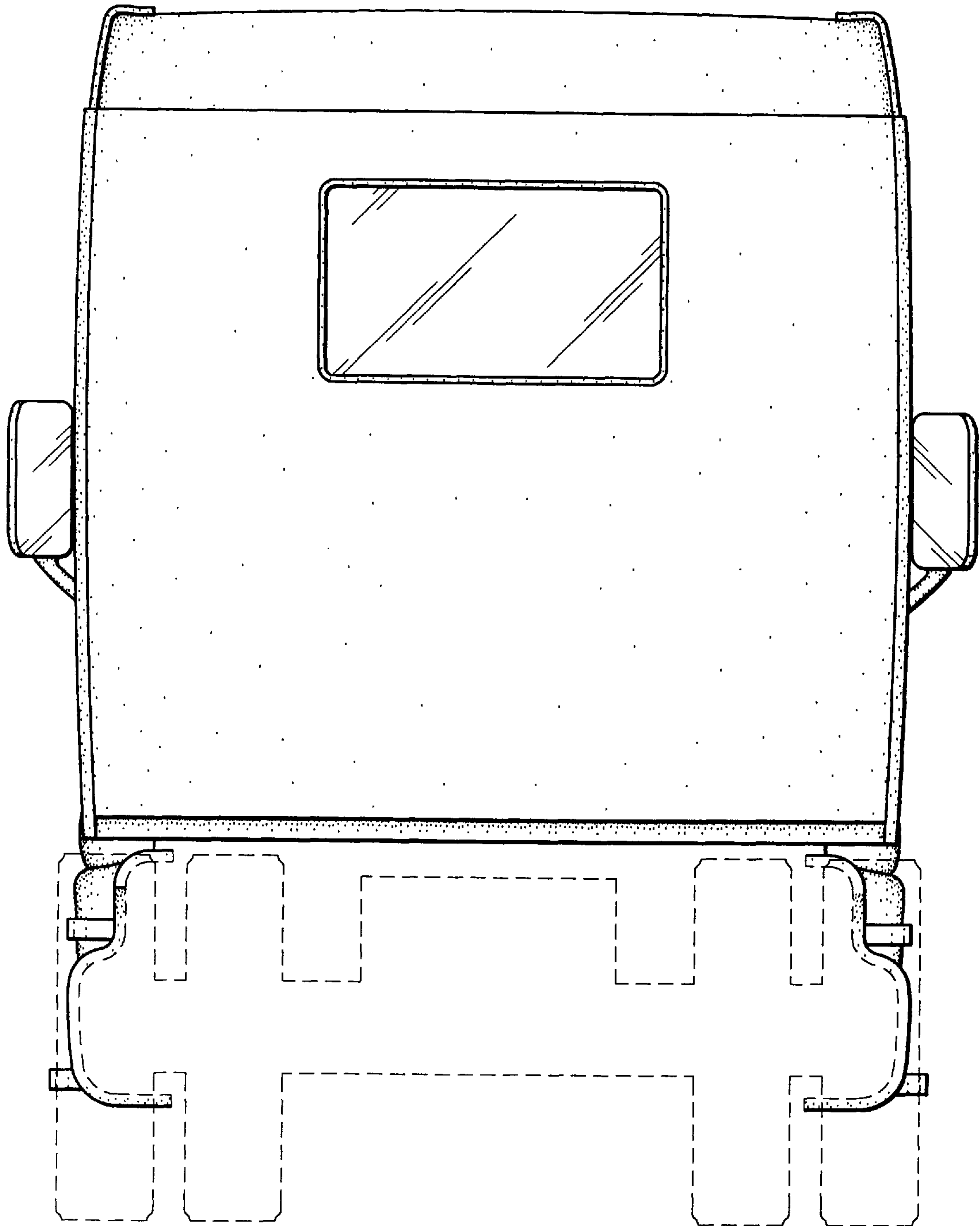


FIG. 4