



US00D437256S

(12) **United States Design Patent**
Parent

(10) **Patent No.:** **US D437,256 S**

(45) **Date of Patent:** **** Feb. 6, 2001**

(54) **CITY ELECTRIC VEHICLE**

(75) **Inventor:** **Michel Parent, Versailles (FR)**

(73) **Assignee:** **Inria Institut National de Recherche en Informatique et Automatique, Le Chesnay (FR)**

(**) **Term:** **14 Years**

(21) **Appl. No.:** **29/091,279**

(22) **Filed:** **Jul. 27, 1998**

(30) **Foreign Application Priority Data**

Jan. 27, 1998 (FR) 98 0475

(51) **LOC (7) Cl.** **12-08**

(52) **U.S. Cl.** **D12/86**

(58) **Field of Search** D12/1, 85, 86,
D12/91, 92, 16, 107; D34/34; 180/233;
296/185

(56) **References Cited**

U.S. PATENT DOCUMENTS

D. 320,958 * 10/1991 Kimura et al. D12/85

D. 342,701 * 12/1993 Murata et al. D12/107
D. 390,501 * 2/1998 Kranz D12/86
D. 391,897 * 3/1998 Murata D12/86
D. 409,349 * 8/1999 Bidwell et al. D34/34
D. 410,215 * 5/1999 Murata et al. D12/86
D. 419,485 * 1/2000 Sturges D12/86

* cited by examiner

Primary Examiner—Melody N. Brown

(74) *Attorney, Agent, or Firm*—Staas & Halsey LLP

(57) **CLAIM**

The ornamental design for a city electric vehicle, as shown and described.

DESCRIPTION

FIG. 1 is a front elevational view of the city electric vehicle showing my new design;
FIG. 2 is a rear elevational view thereof;
FIG. 3 is a left side elevational view thereof;
FIG. 4 is a top plan view thereof;
FIG. 5 is a front perspective view thereof; and,
FIG. 6 is a rear perspective view thereof.

1 Claim, 3 Drawing Sheets

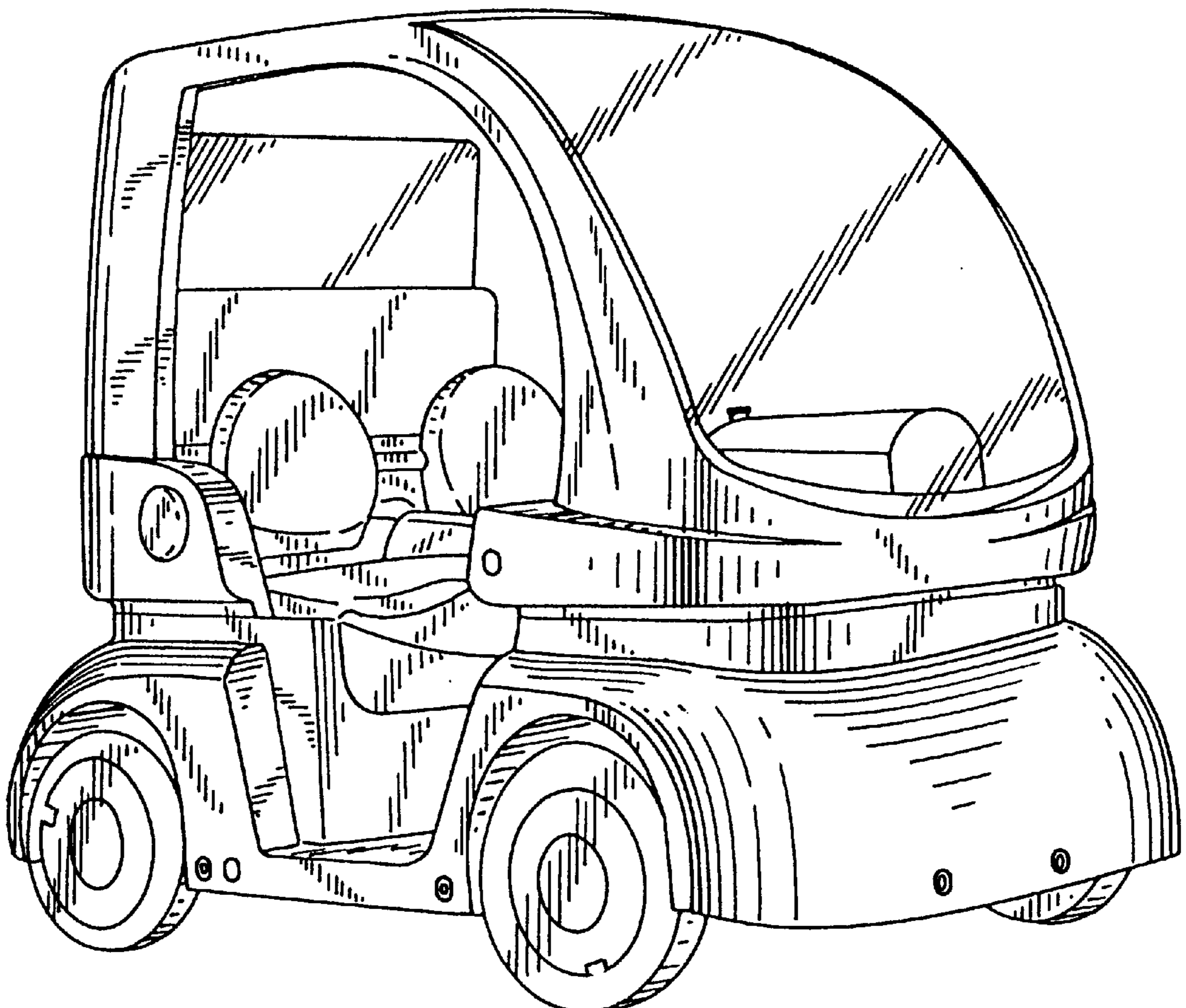


FIG. 2

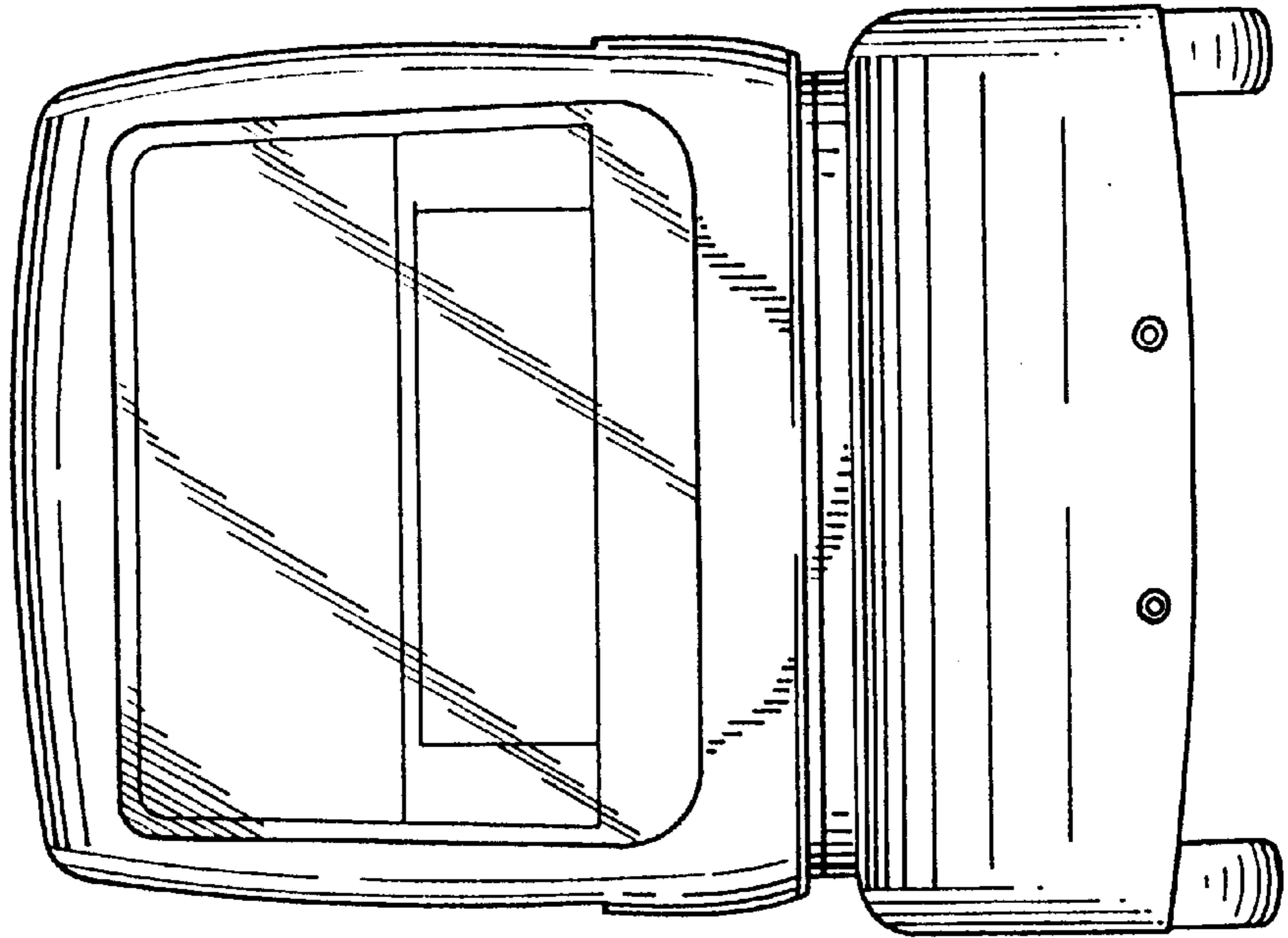


FIG. 1

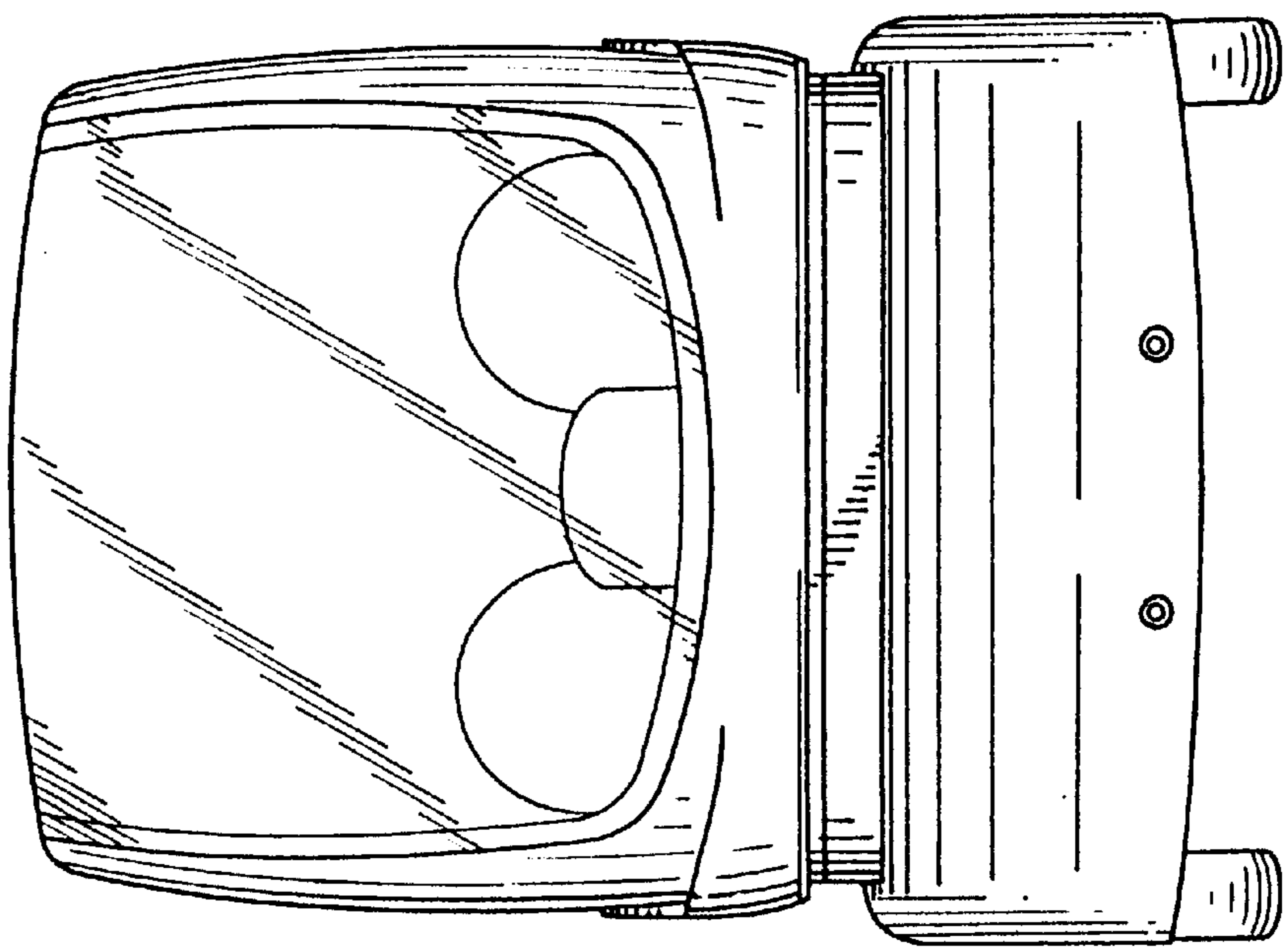


FIG. 3

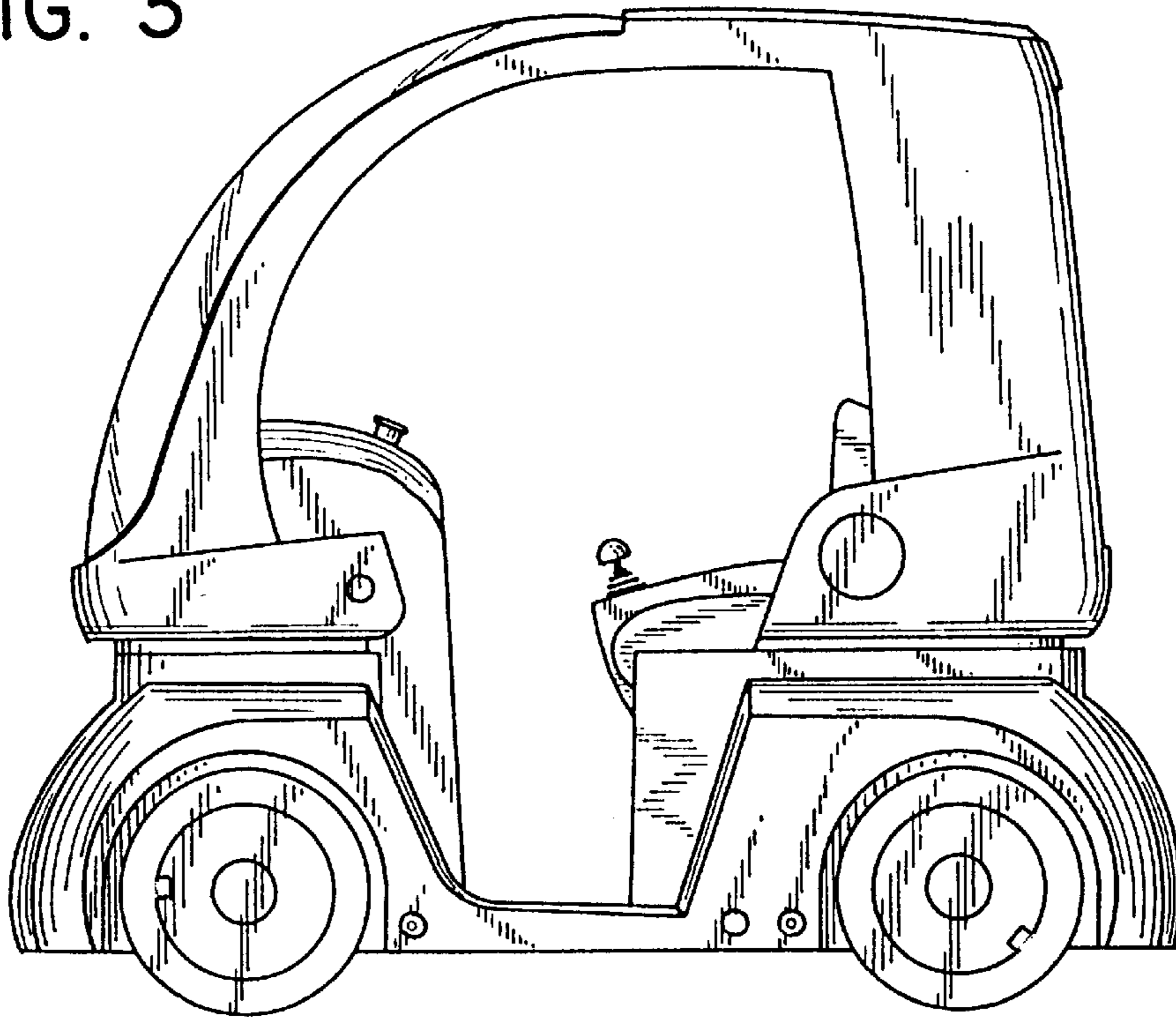
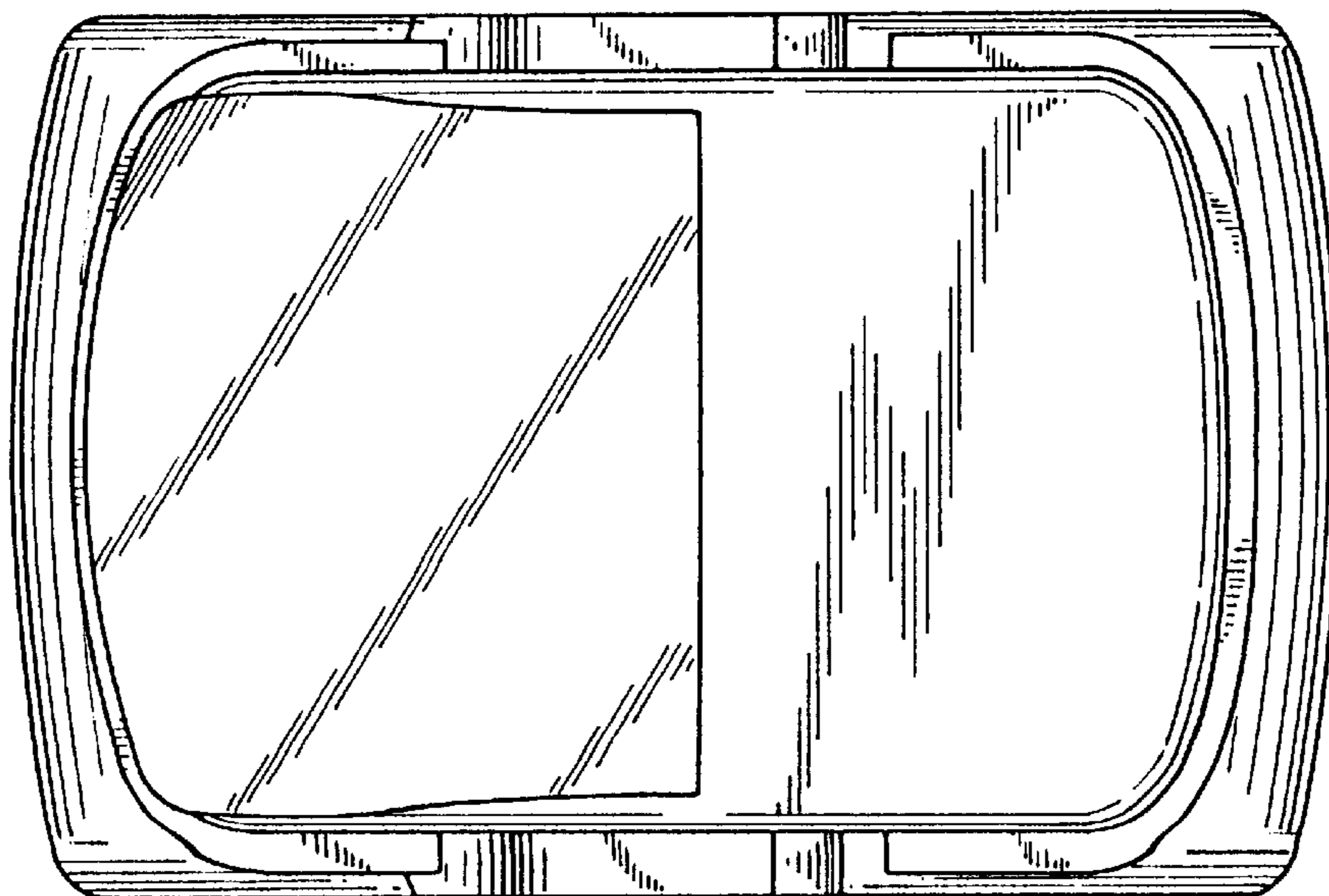


FIG. 4



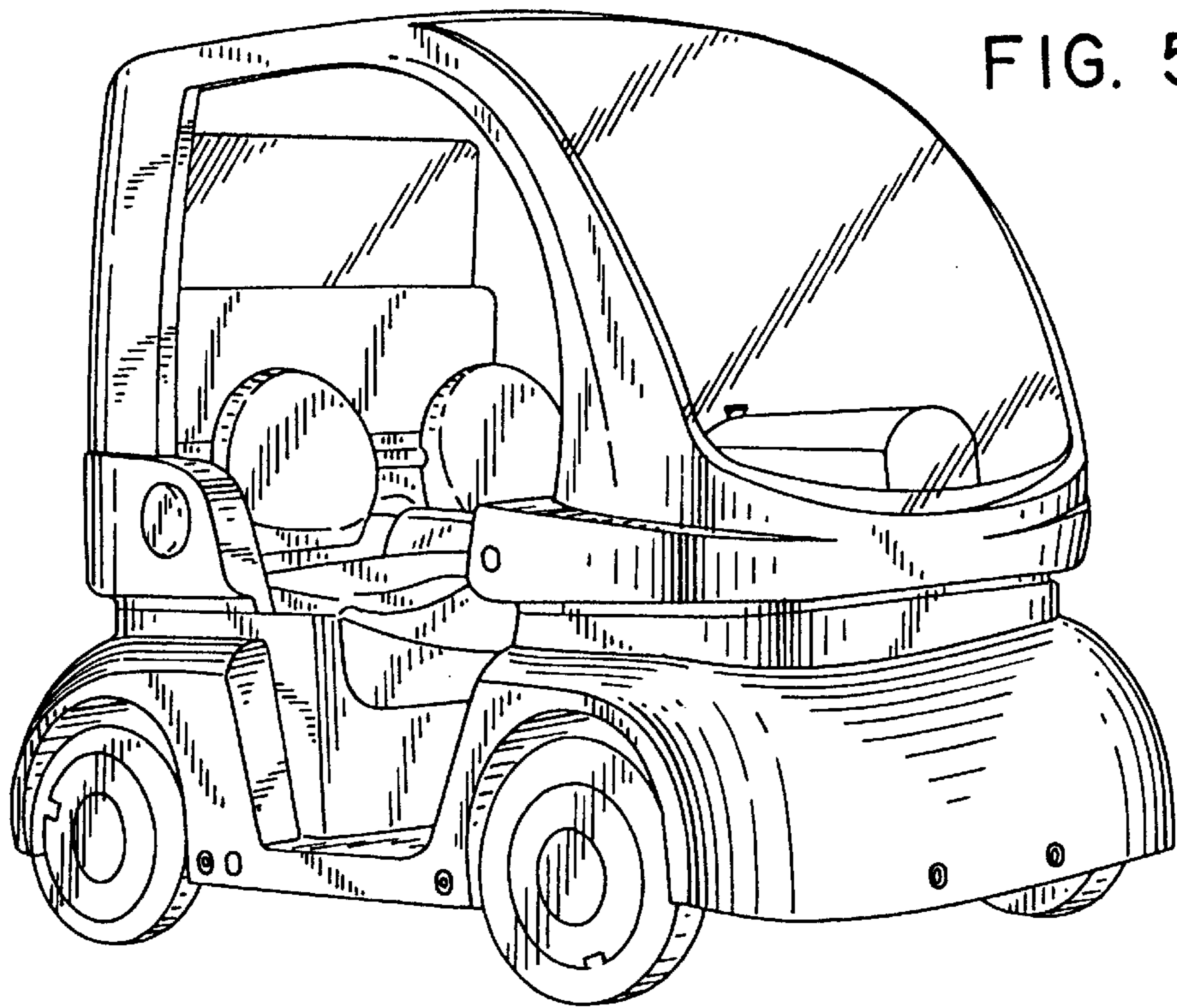
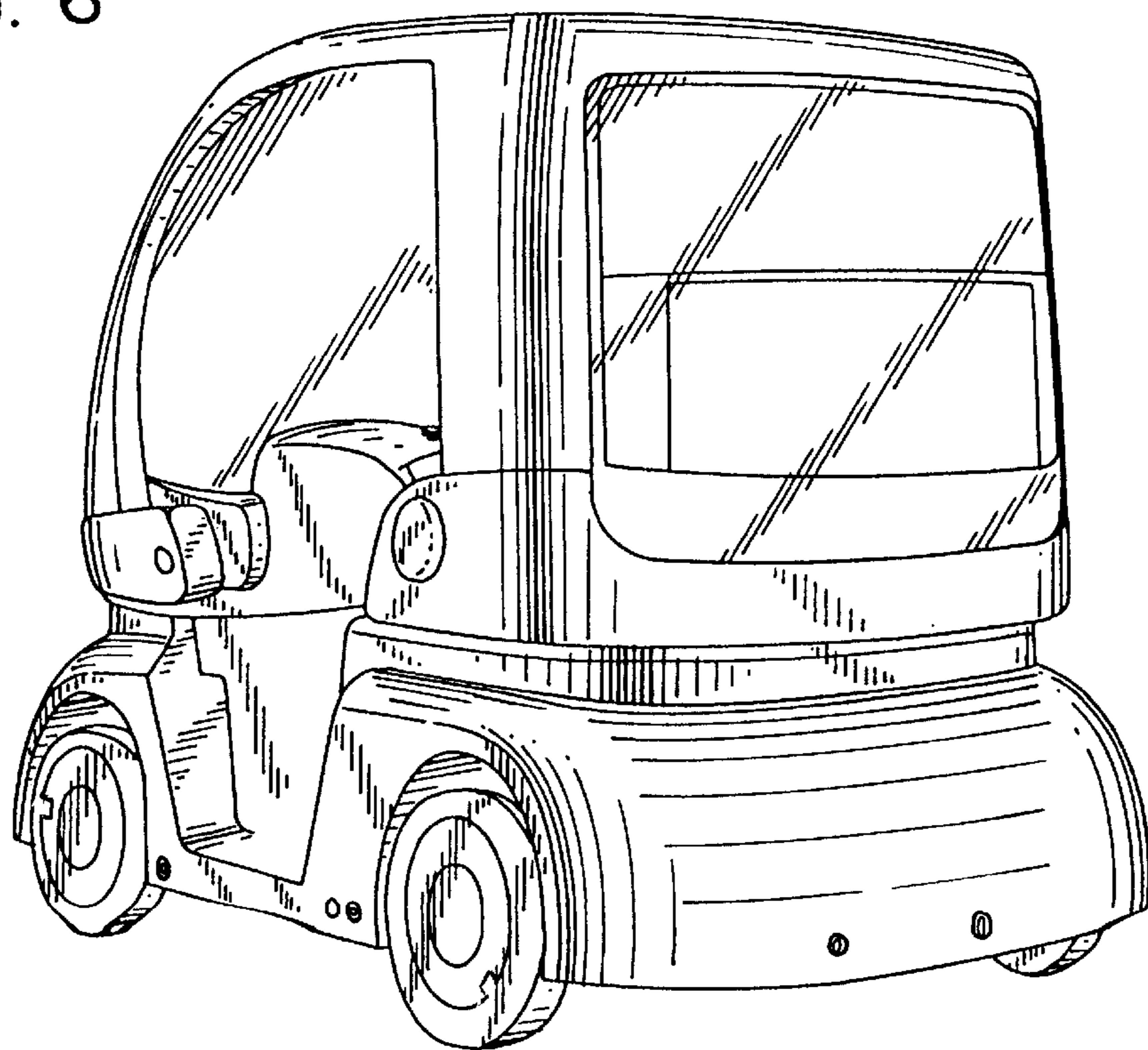


FIG. 5

FIG. 6



UNITED STATES PATENT AND TRADEMARK OFFICE
CERTIFICATE OF CORRECTION

PATENT NO. : Des. 437,256 S
DATED : February 6, 2001
INVENTOR(S) : Michel Parent

Page 1 of 1

It is certified that error appears in the above-identified patent and that said Letters Patent is hereby corrected as shown below:

Title page.

Item [73], Assignee, change "**Inria Institut National de Recherche en Informatique et Automatique**" to -- **Inria Institut National de Recherche en Informatique et en Automatique** --.

Signed and Sealed this

Twenty-sixth Day of July, 2005

A handwritten signature in black ink on a light gray dotted background. The signature reads "Jon W. Dudas" in a cursive style.

JON W. DUDAS

Director of the United States Patent and Trademark Office