



US00D437255S

(12) **United States Design Patent**
Bickler et al.

(10) **Patent No.:** **US D437,255 S**

(45) **Date of Patent:** **** Feb. 6, 2001**

(54) **MARS ROVER**

3,809,004 * 5/1974 Leonheart 180/22 X
5,323,867 * 6/1994 Allard 180/22

(75) Inventors: **Don Bickler**, Temple City; **Kenneth Jewett**, North Hollywood; **Howard Eisen**, Los Angeles; **Lee Sword**, Tujunga, all of CA (US)

* cited by examiner

Primary Examiner—Nelson C. Holtje
(74) *Attorney, Agent, or Firm*—Limbach & Limbach, L.L.P.

(73) Assignee: **California Institute of Technology**, Pasadena, CA (US)

(57) **CLAIM**

(**) Term: **14 Years**

The ornamental design for a Mars Rover, as shown.

(21) Appl. No.: **29/052,892**

DESCRIPTION

(22) Filed: **Apr. 4, 1996**

FIG. 1 is a perspective view of the rover showing our new design;

(51) **LOC (7) Cl.** **12-13**

FIG. 2 is another perspective view thereof;

(52) **U.S. Cl.** **D12/1**

FIG. 3 is a side elevational view thereof (with the other side being a mirror image thereof);

(58) **Field of Search** D12/1, 2; 181/2.1, 181/2.2, 22; 901/1

FIG. 4 is a top plan view thereof;

FIG. 5 is an end elevational view thereof;

FIG. 6 is the other end elevational view thereof; and,

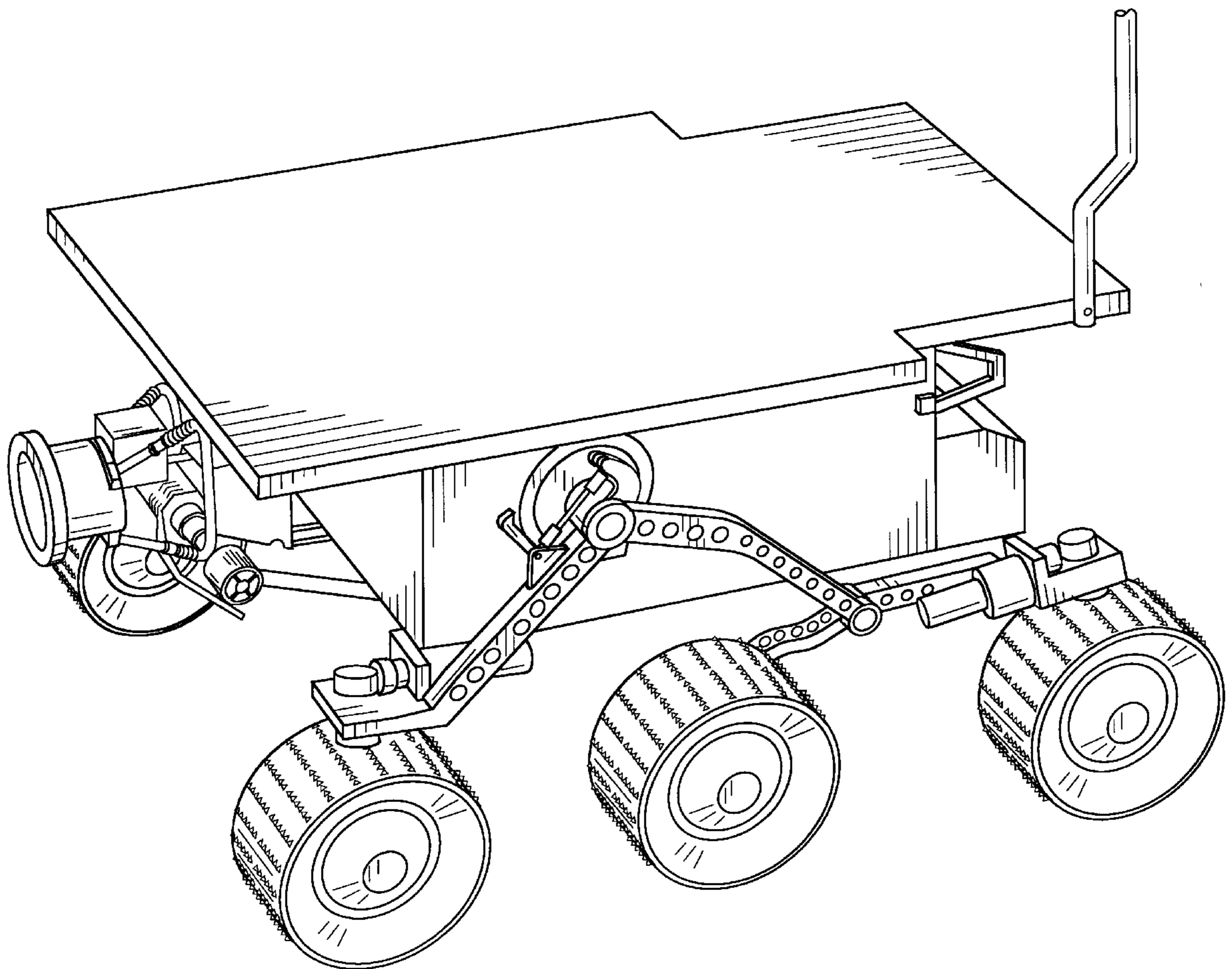
FIG. 7 is a bottom plan view thereof.

(56) **References Cited**

U.S. PATENT DOCUMENTS

3,299,978 * 1/1967 Sponsler 180/22 X

1 Claim, 7 Drawing Sheets



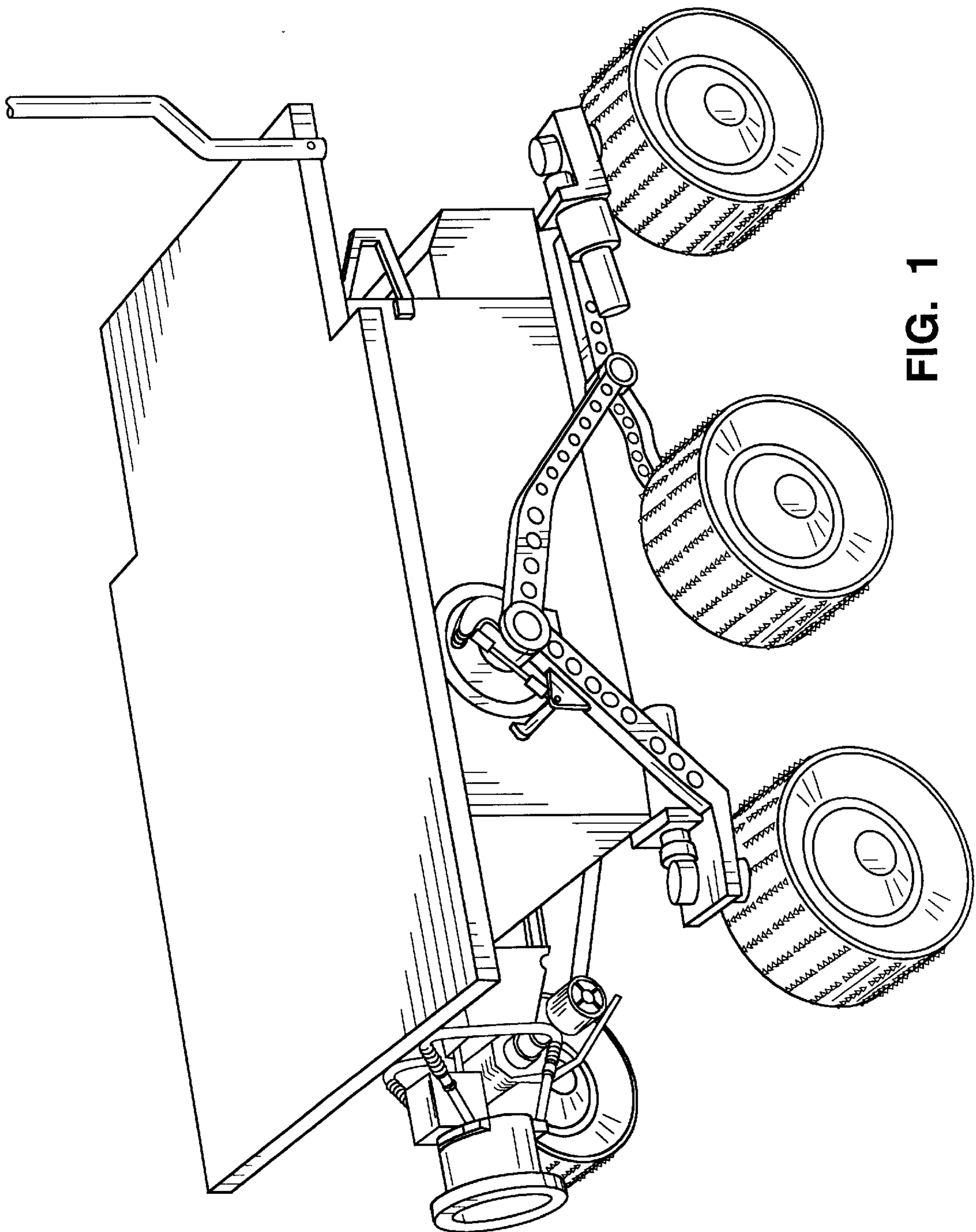


FIG. 1

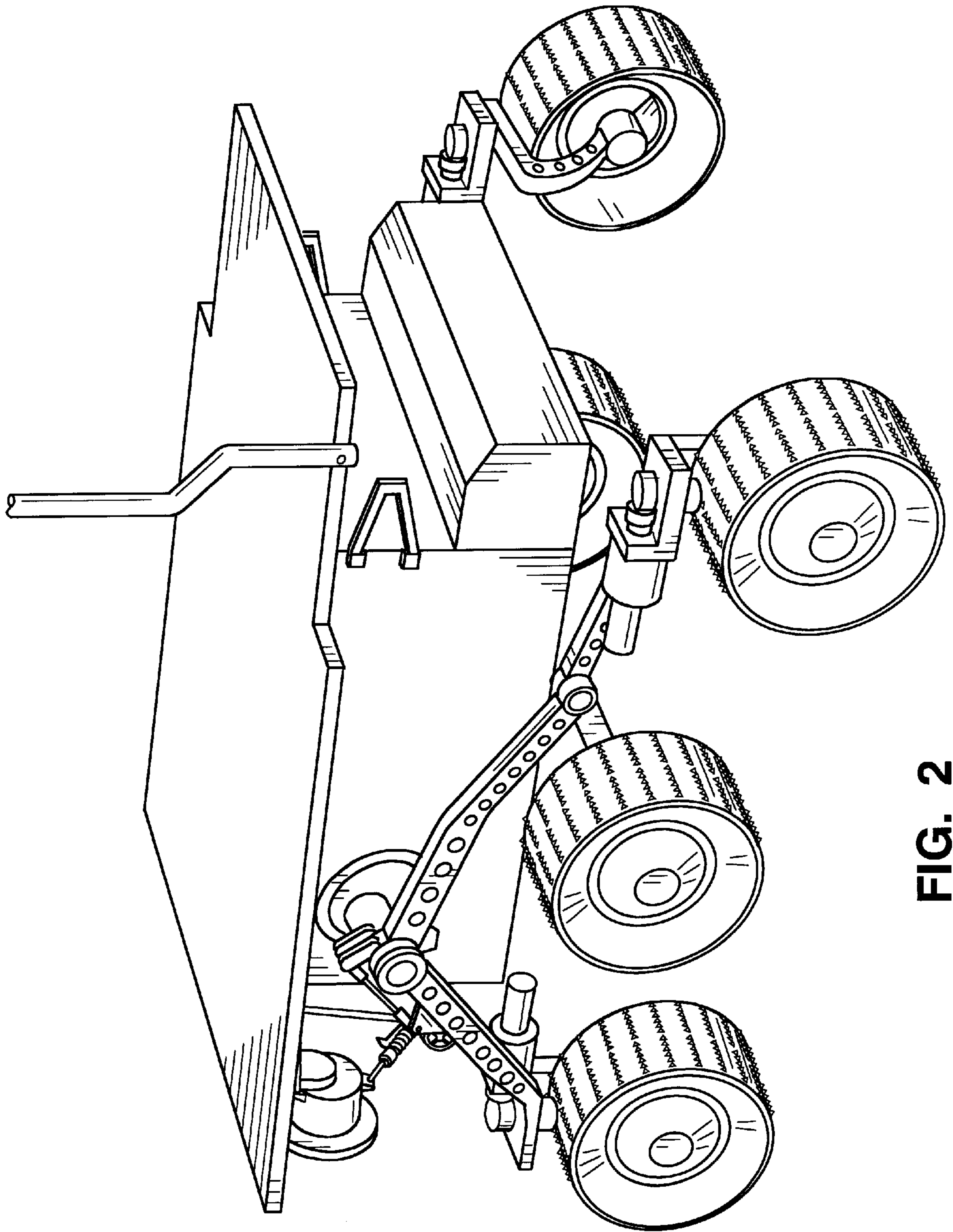


FIG. 2

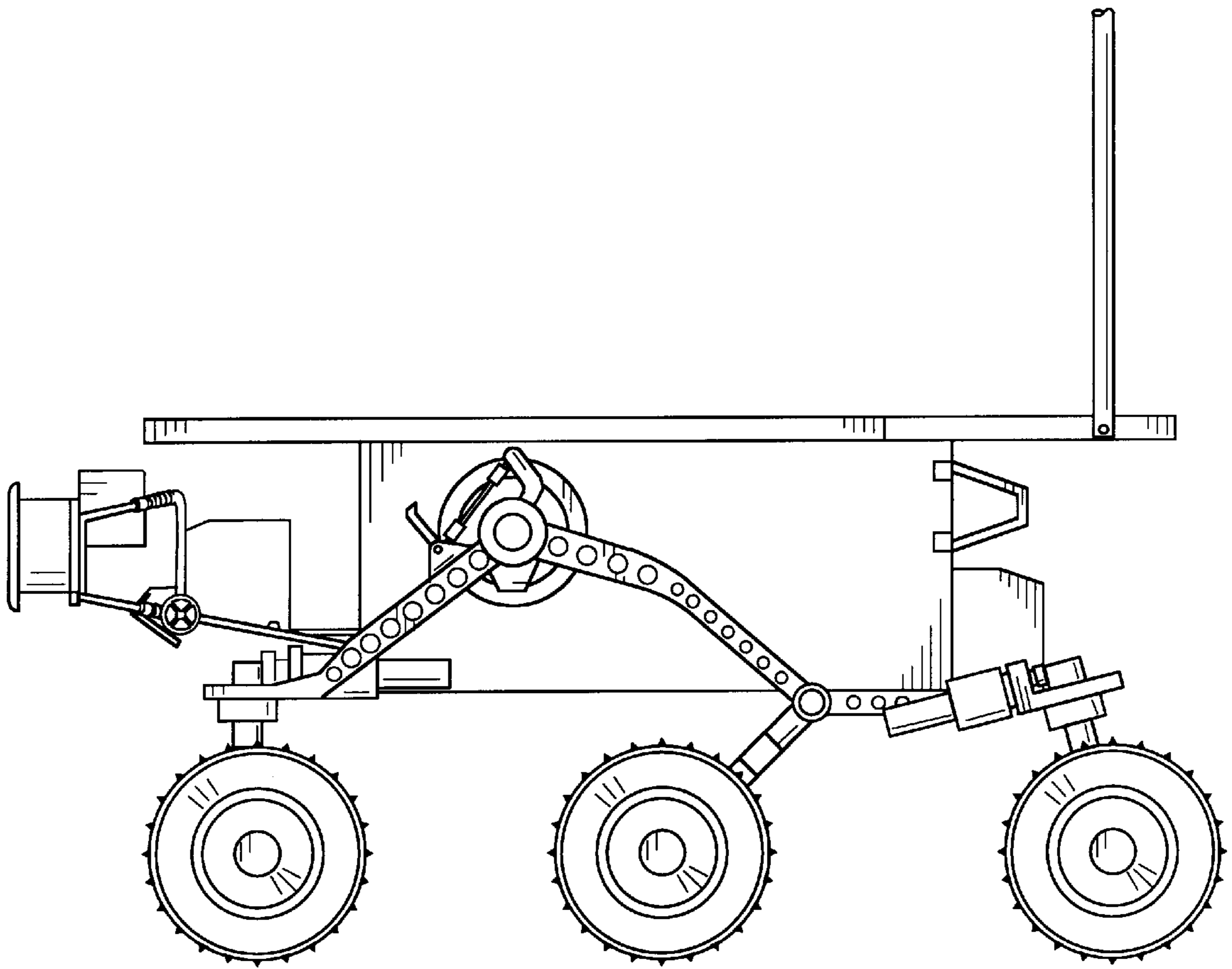


FIG. 3

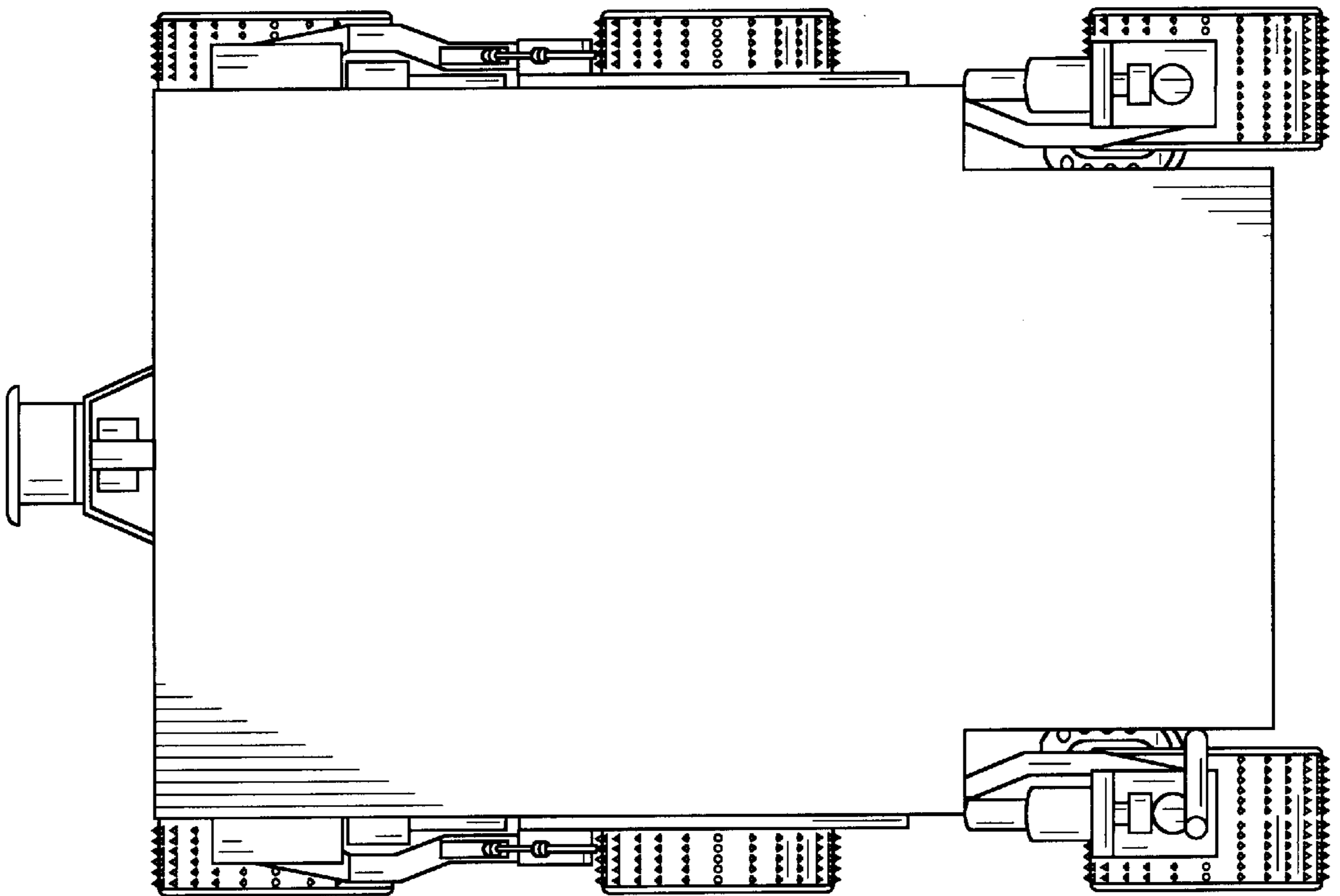


FIG. 4

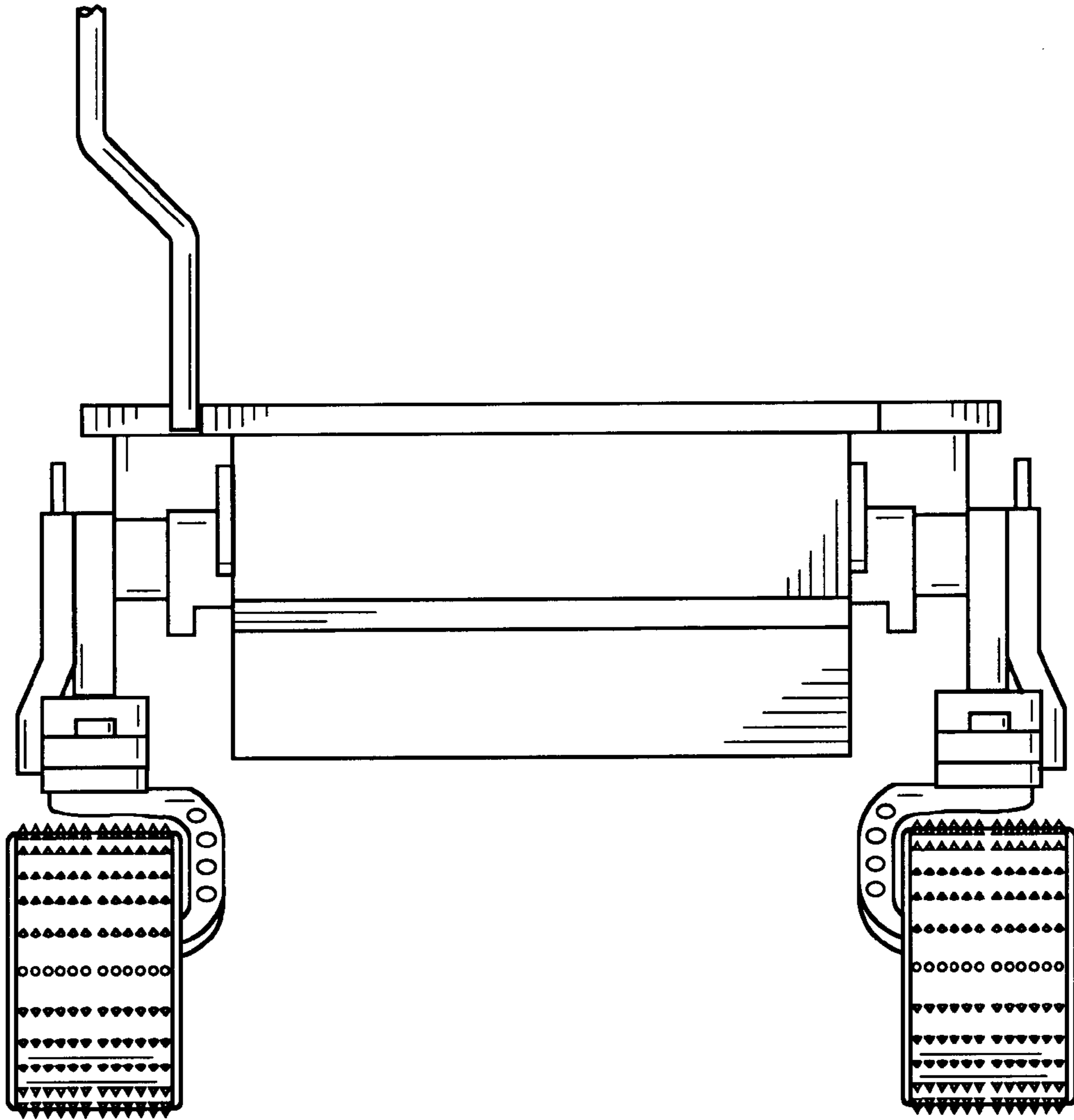


FIG. 5

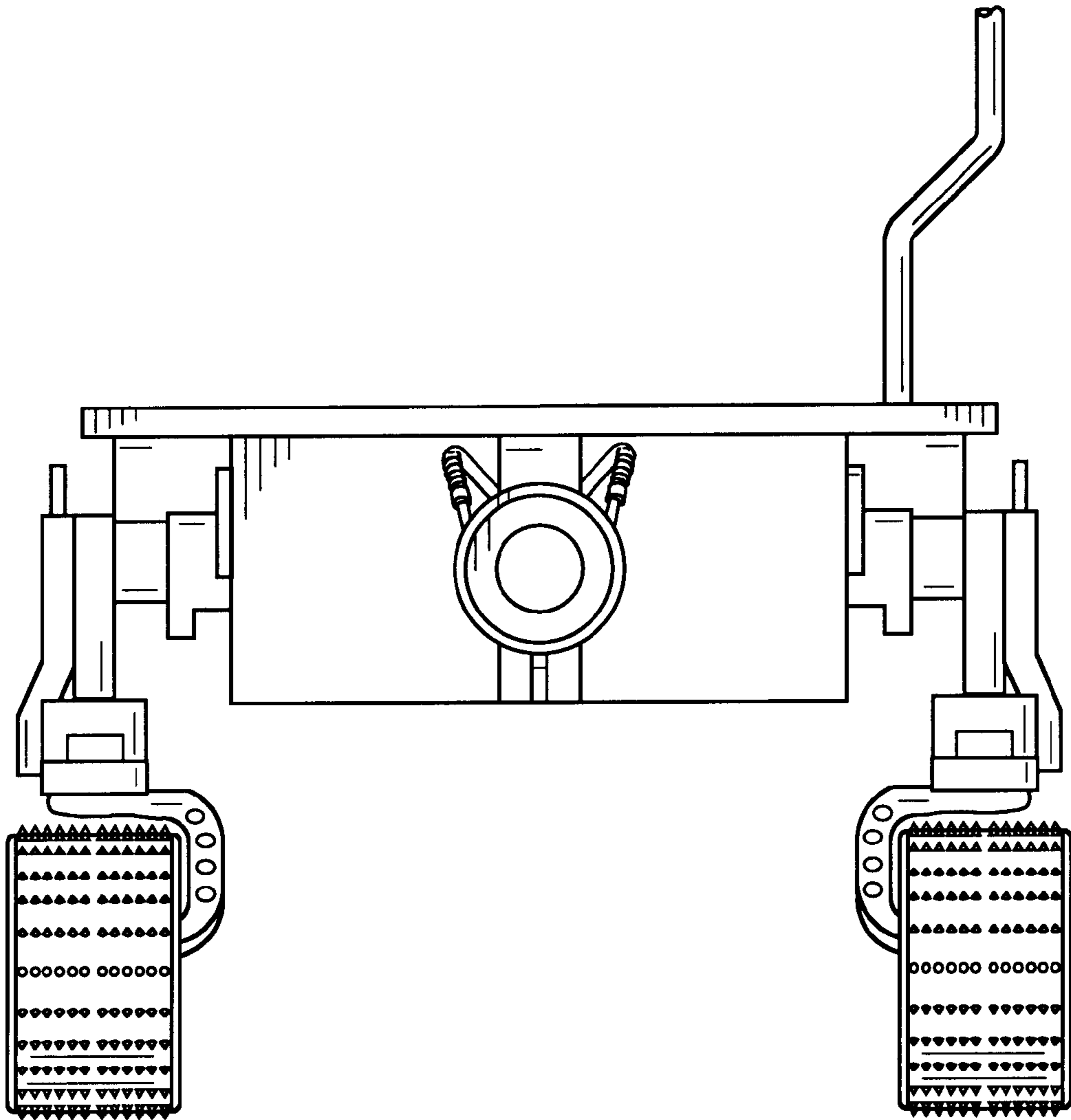


FIG. 6

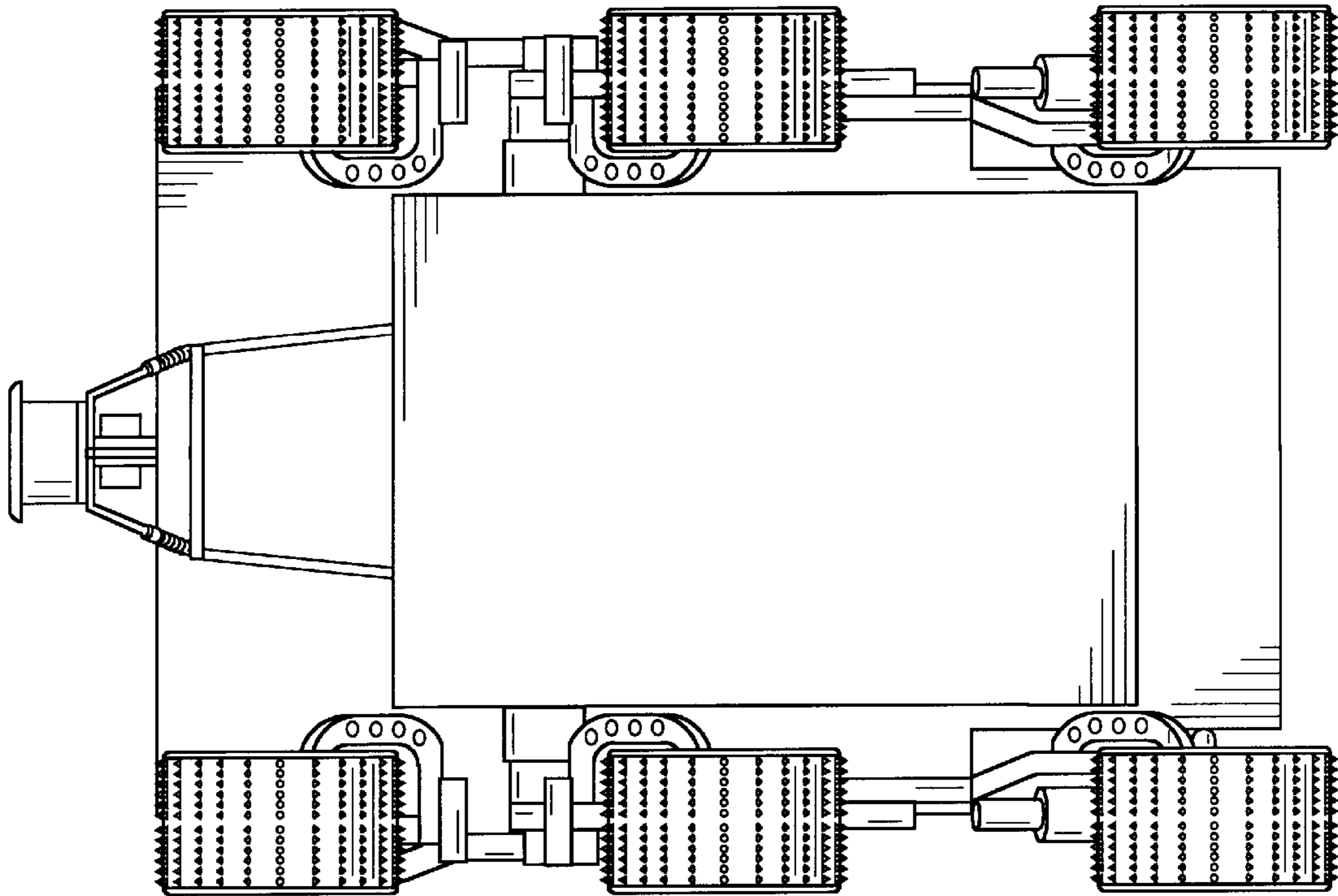


FIG. 7