



US00D437253S

(12) **United States Design Patent**
Tracy

(10) **Patent No.:** **US D437,253 S**

(45) **Date of Patent:** **** Feb. 6, 2001**

(54) **WATER SCULPTURE**

D. 421,237 * 2/2000 Sands D11/131

(76) Inventor: **Wyeth G. Tracy**, 591 Albright Road,
Uxbridge, Ontario (CA), L9P 1R4

* cited by examiner

(**) Term: **14 Years**

Primary Examiner—Dominic Simone
(74) *Attorney, Agent, or Firm*—Riches, McKenzie &
Herbert

(21) Appl. No.: **29/105,122**

(57) **CLAIM**

(22) Filed: **May 19, 1999**

I claim the ornamental design for a water sculpture, as shown.

(51) **LOC (7) Cl.** **71-02**

(52) **U.S. Cl.** **D11/131; D23/201**

(58) **Field of Search** D11/117, 131;
D23/201; 428/542.2, 542.6; 239/17, 20

DESCRIPTION

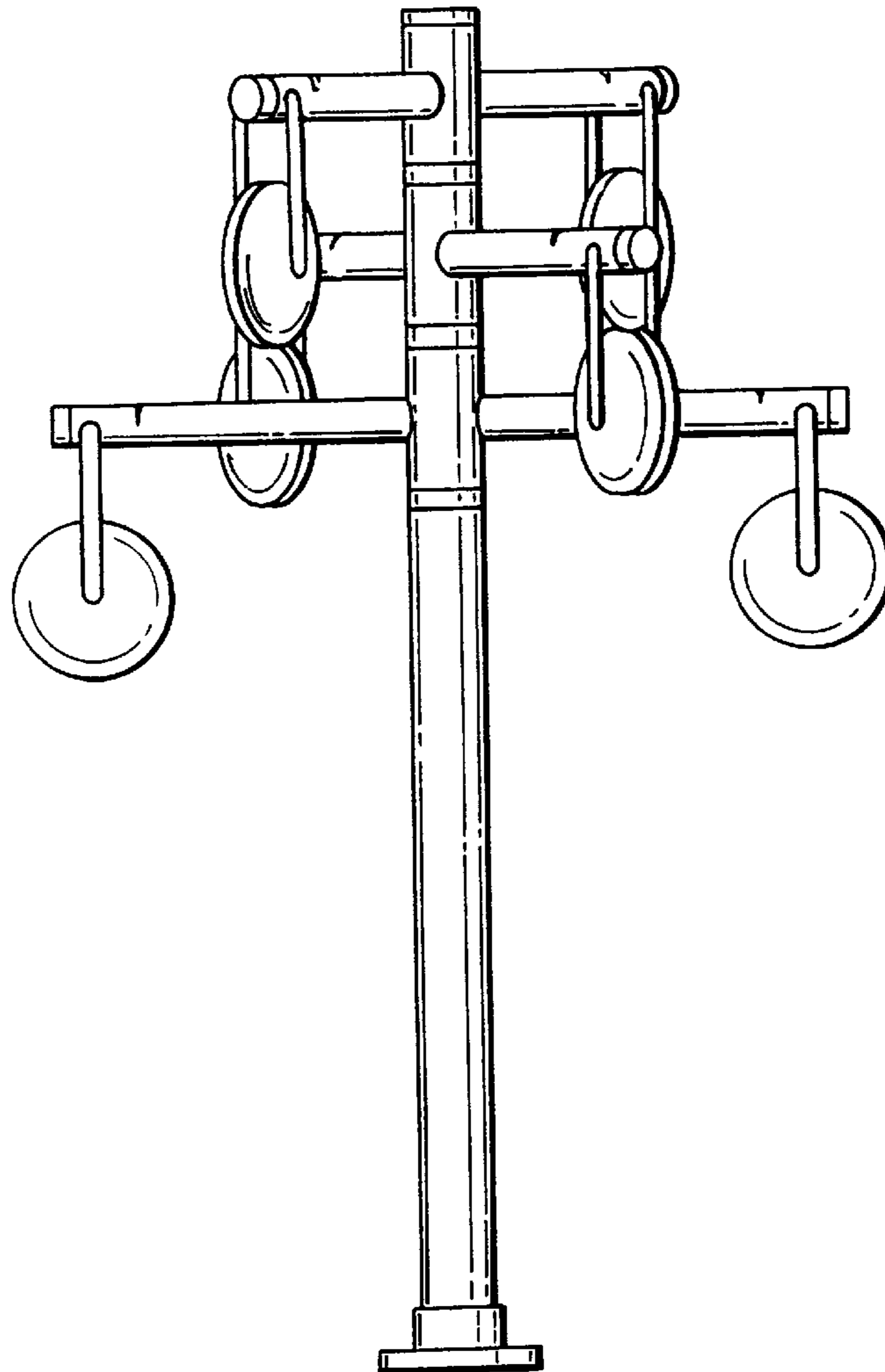
(56) **References Cited**

U.S. PATENT DOCUMENTS

- D. 205,392 * 7/1966 Mifaud D23/201
- D. 213,692 * 4/1969 Hibben D23/201
- D. 253,405 * 11/1979 Caulkett D11/131
- D. 402,586 * 12/1998 Johnson et al. D11/131

FIG. 1—is a front elevational view of a water sculpture showing my new design, the back view being identical;
FIG. 2—is a left and front side elevational view of a water sculpture showing my new design, the right and back side being identical;
FIG. 3—is a top view of FIG. 1; and,
FIG. 4—is a top view of FIG. 2.

1 Claim, 3 Drawing Sheets



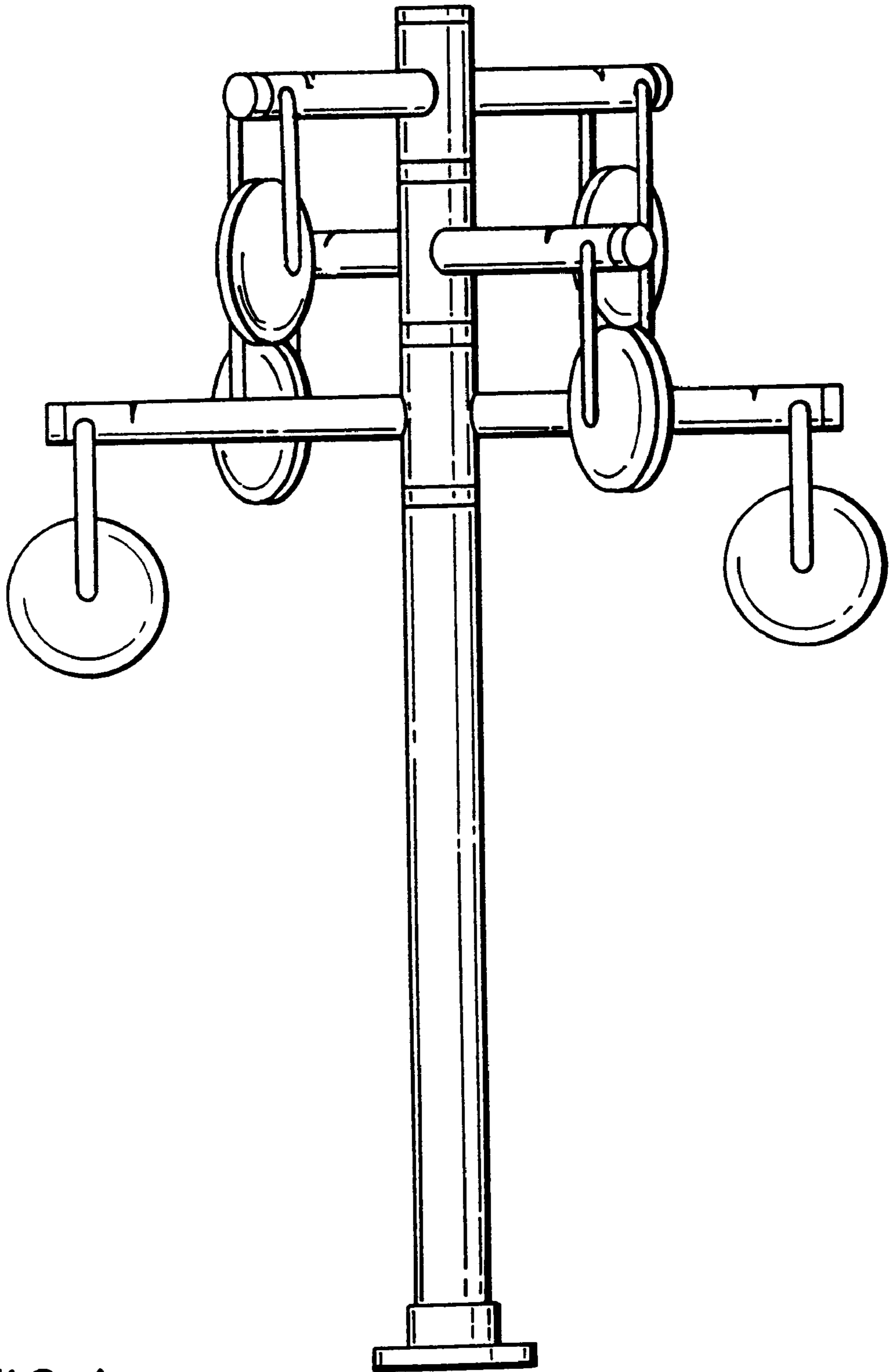


FIG. 1.

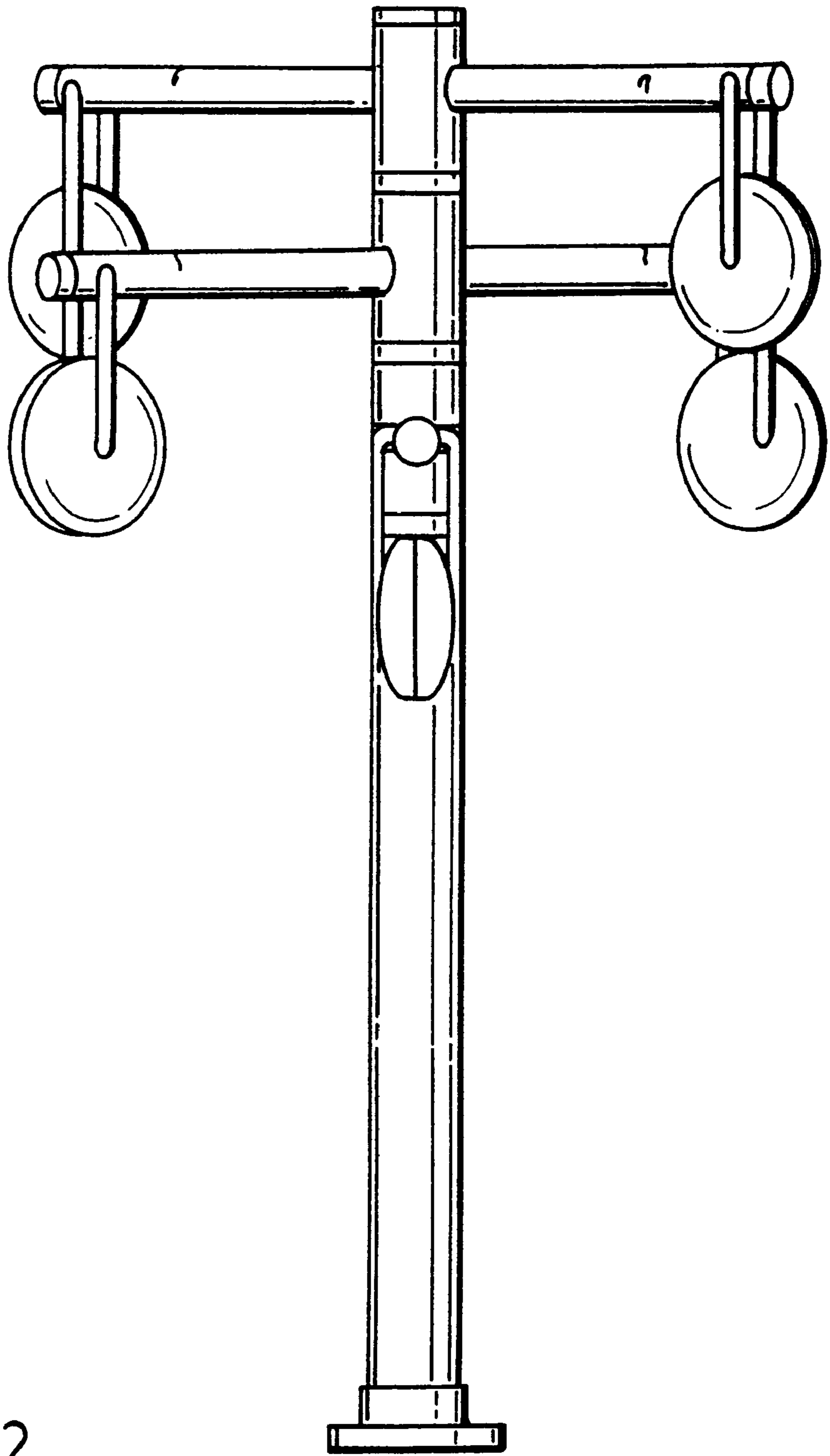


FIG. 2.

FIG. 3.

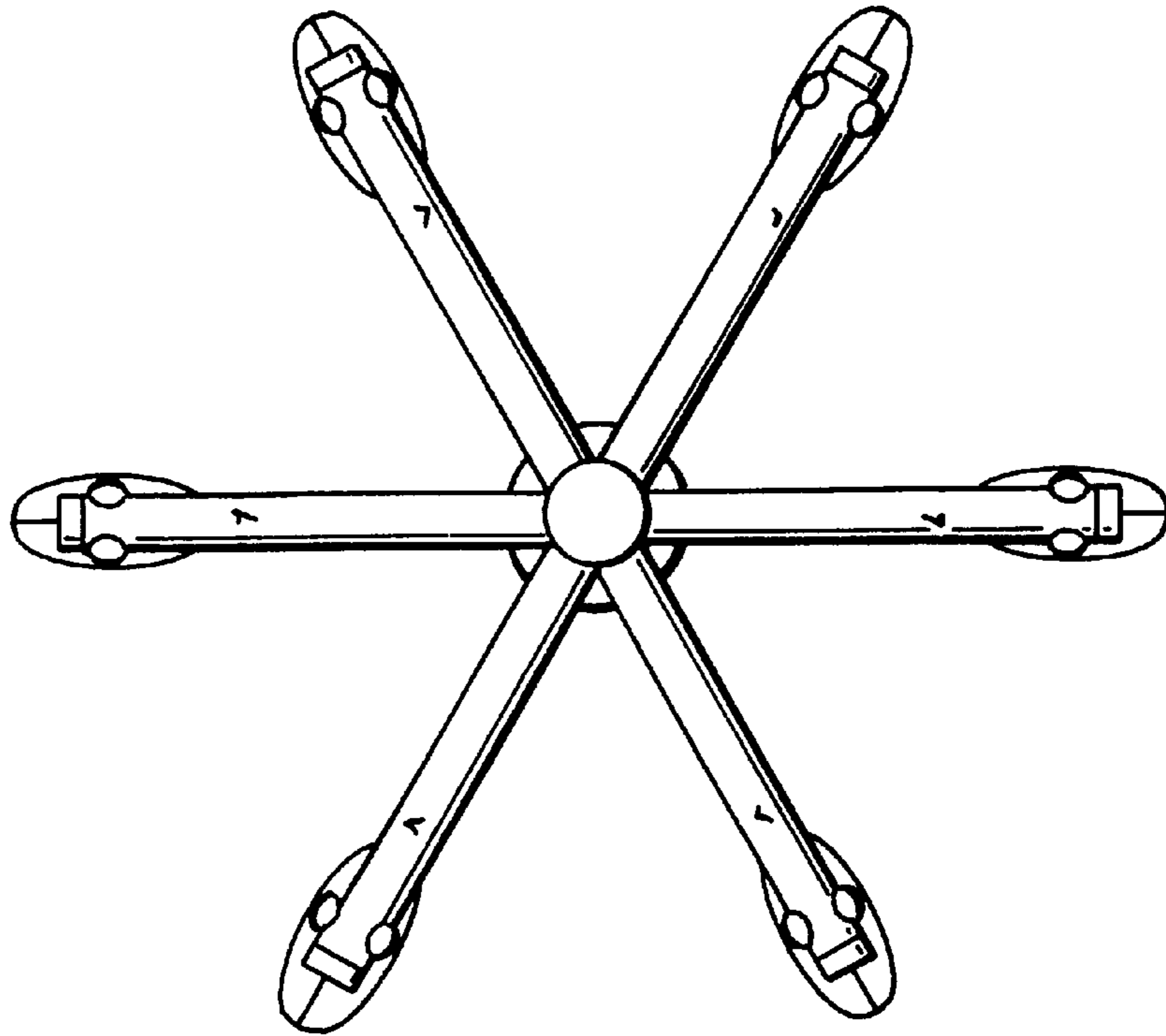


FIG. 4.

