



US00D437245S

(12) **United States Design Patent**
Hurley

(10) **Patent No.:** **US D437,245 S**

(45) **Date of Patent:** **** Feb. 6, 2001**

(54) **GARAGE VEHICLE POSITION INDICATOR**

D. 419,096 * 1/2000 Copenhauer D10/109

(75) Inventor: **John Hurley**, Malibu, CA (US)

* cited by examiner

(73) Assignee: **JSN, Inc.**, Malibu, CA (US)

Primary Examiner—Marcus A. Jackson

(**) Term: **14 Years**

(74) *Attorney, Agent, or Firm*—Pillsbury Madison & Sutro LLP

(21) Appl. No.: **29/120,138**

(57) **CLAIM**

(22) Filed: **Mar. 15, 2000**

The ornamental design for a garage vehicle position indicator, as shown and described.

(51) **LOC (7) Cl.** **10-05**

(52) **U.S. Cl.** **D10/109**

(58) **Field of Search** D10/109, 114,
D10/121; 116/28 A, 28 R; 40/584, 590,
591, 592, 593, 643

DESCRIPTION

FIG. 1 is an elevational perspective, viewed from the bottom of the garage vehicle position indicator, showing its ornamental design. A ball-shaped structure (bottom of the figure) is connected to a housing (top of the figure) via means that may vary in length.

(56) **References Cited**

U.S. PATENT DOCUMENTS

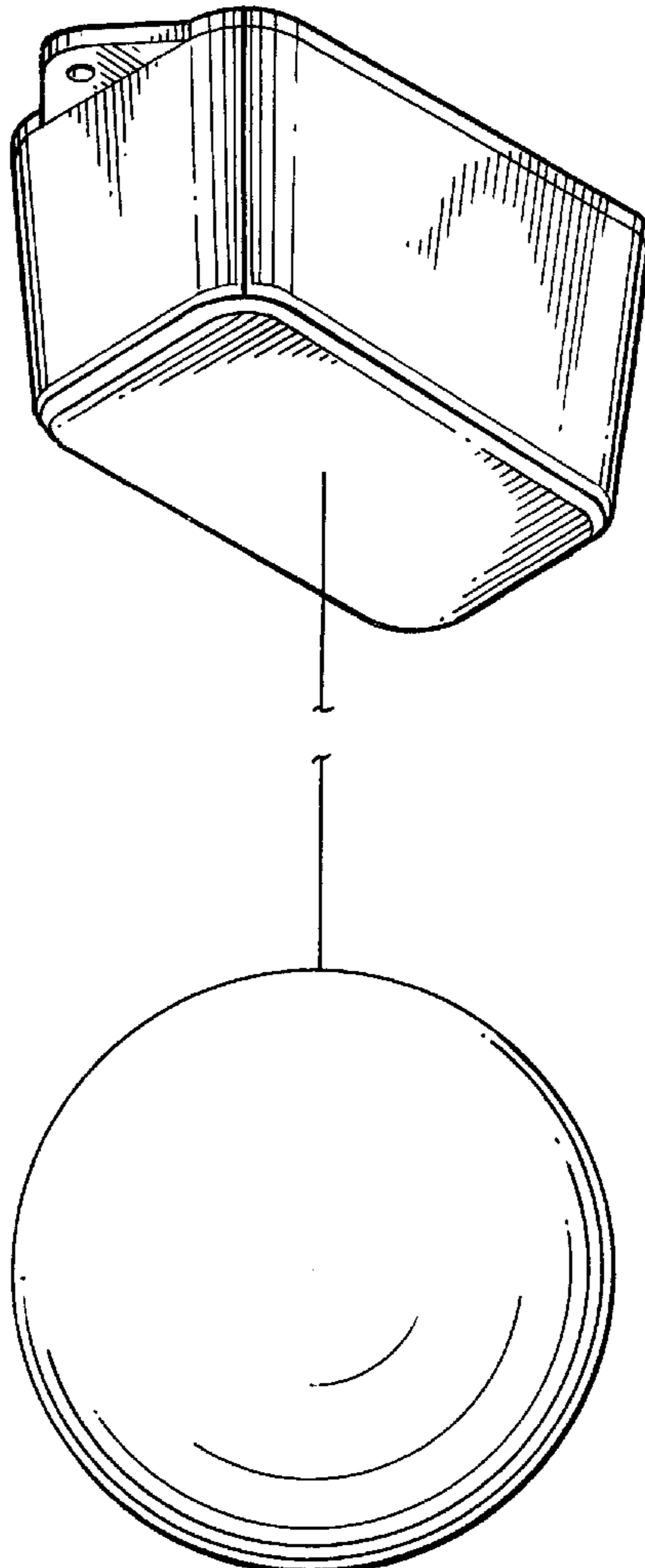
- D. 363,248 * 10/1995 Bagacki, III D10/109
- D. 373,094 * 8/1996 Marderssian D10/109
- D. 375,273 * 11/1996 Wilson D10/109
- D. 376,554 * 12/1996 Richardson et al. D10/109
- D. 407,338 * 3/1999 Kline D10/109

FIG. 2 is a view of the design from its longer side;

FIG. 3 is a view of the design from its shorter side; and,

FIG. 4 is a view of the design from its top side, with the ball-shaped structure positioned directly underneath the housing.

1 Claim, 2 Drawing Sheets



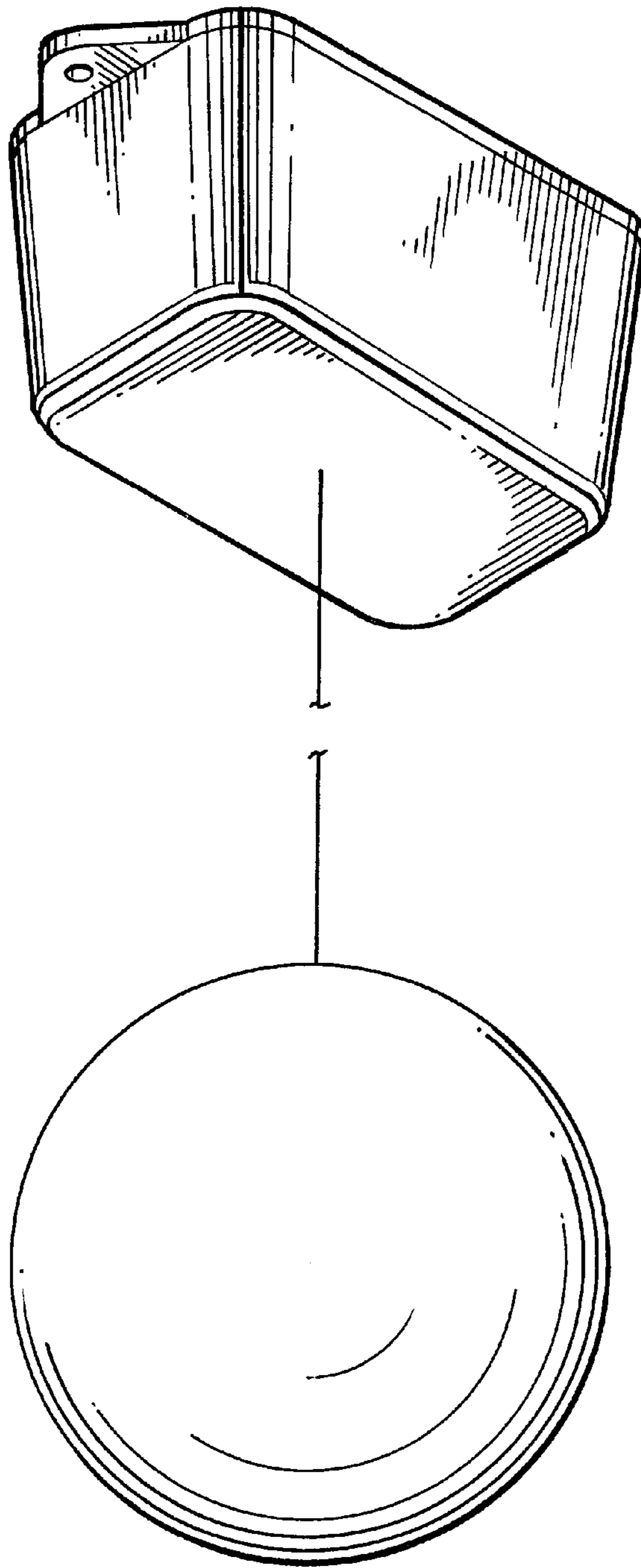


FIG. 1

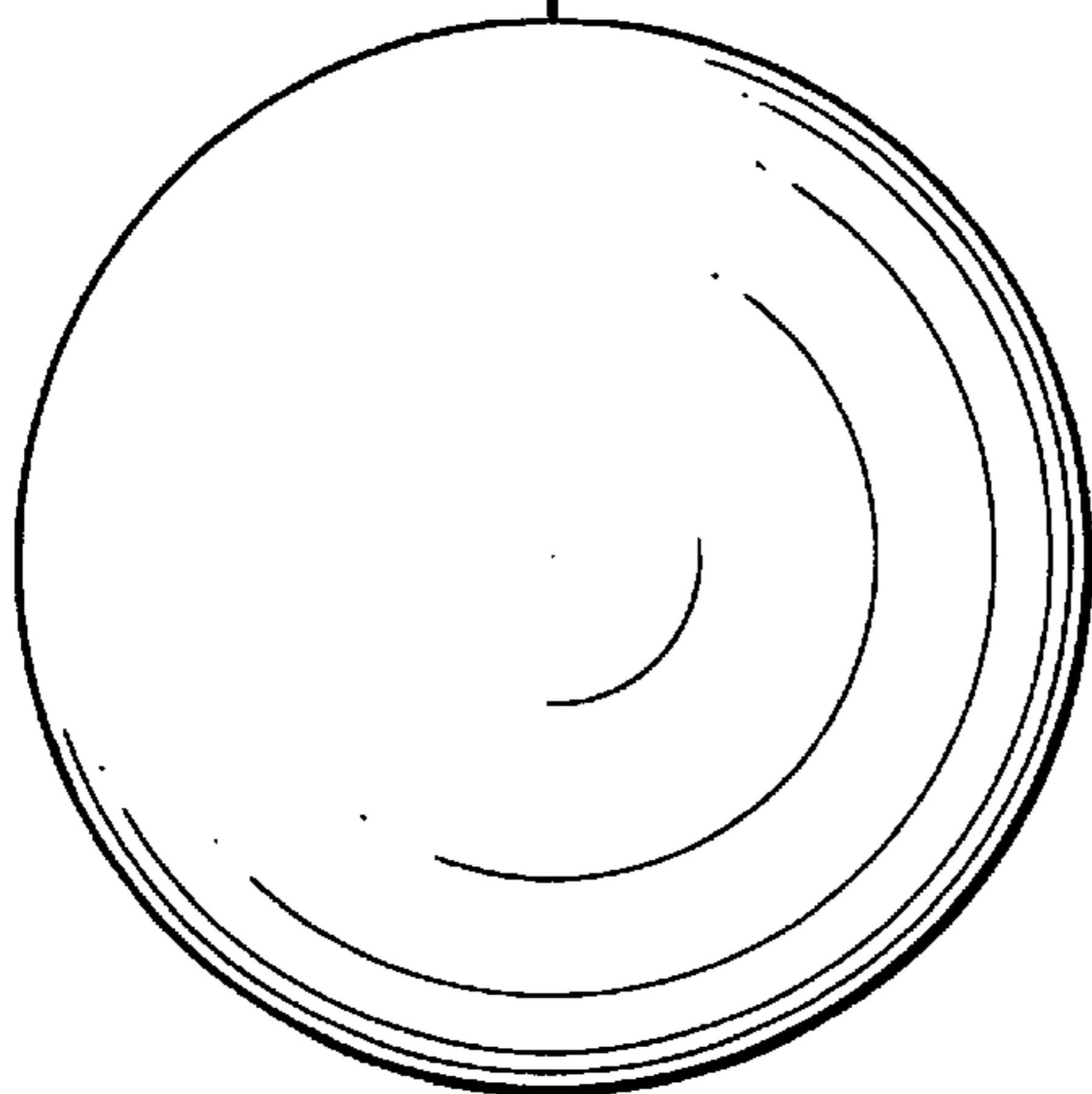
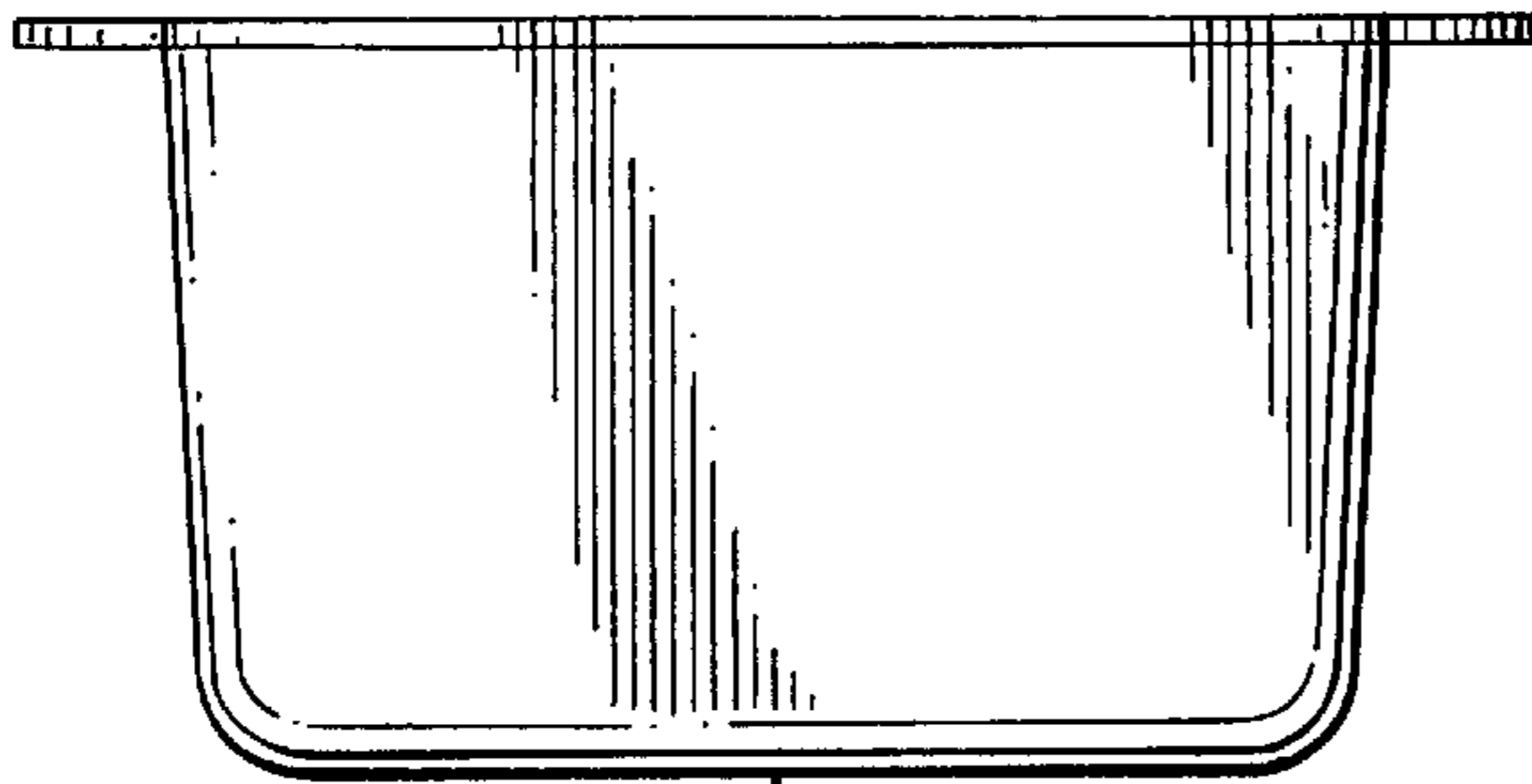


FIG. 2

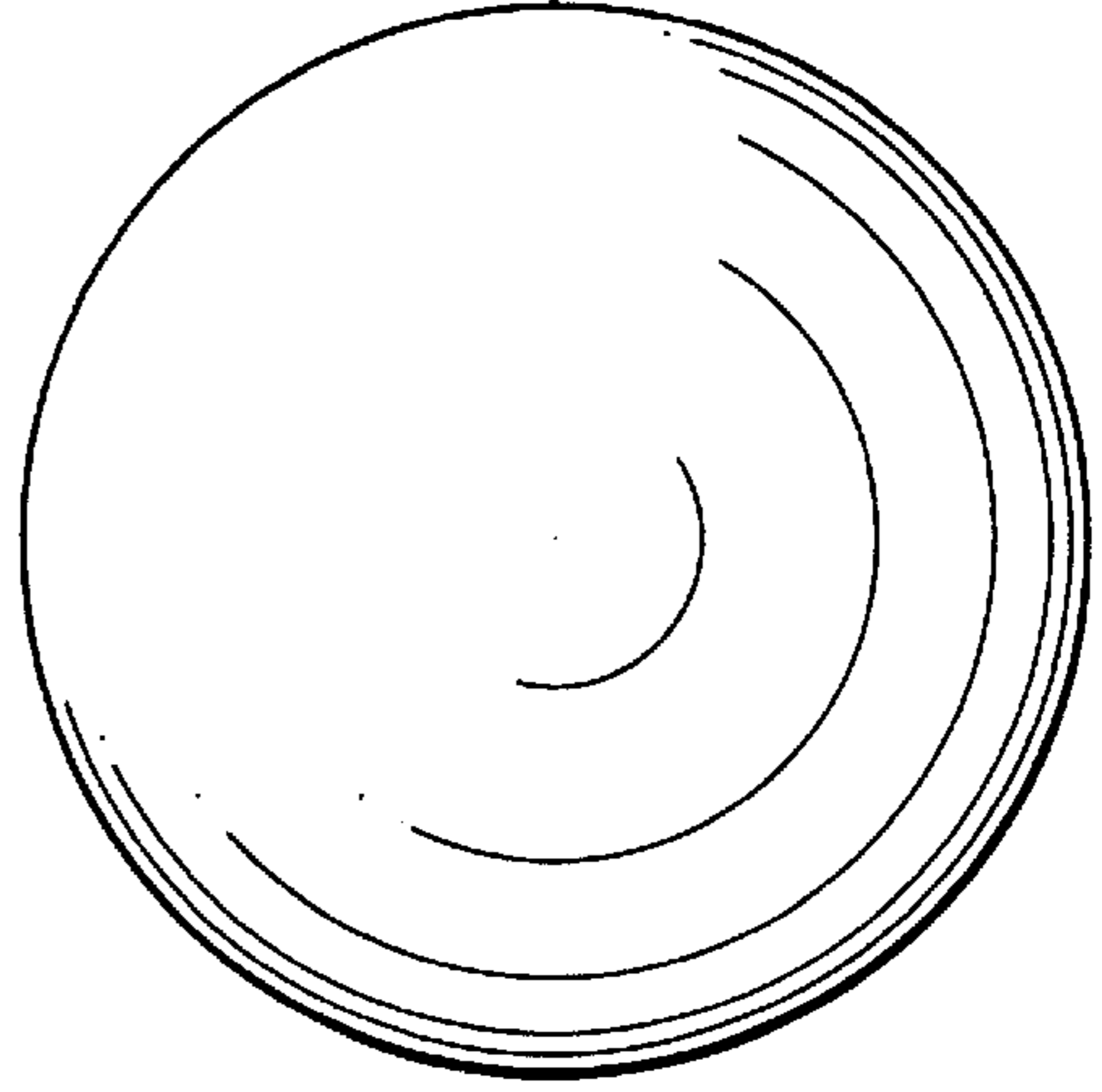
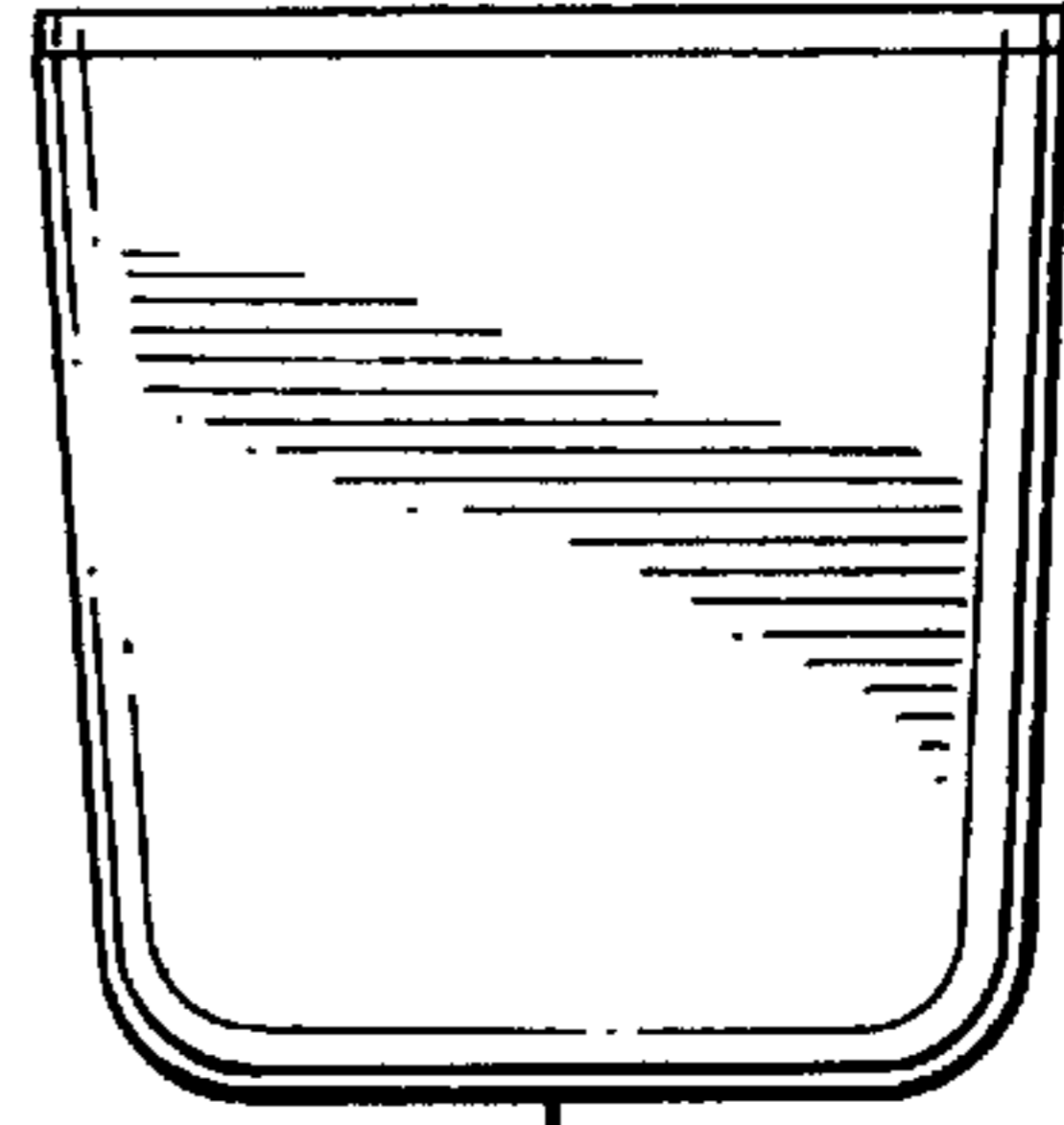


FIG. 3

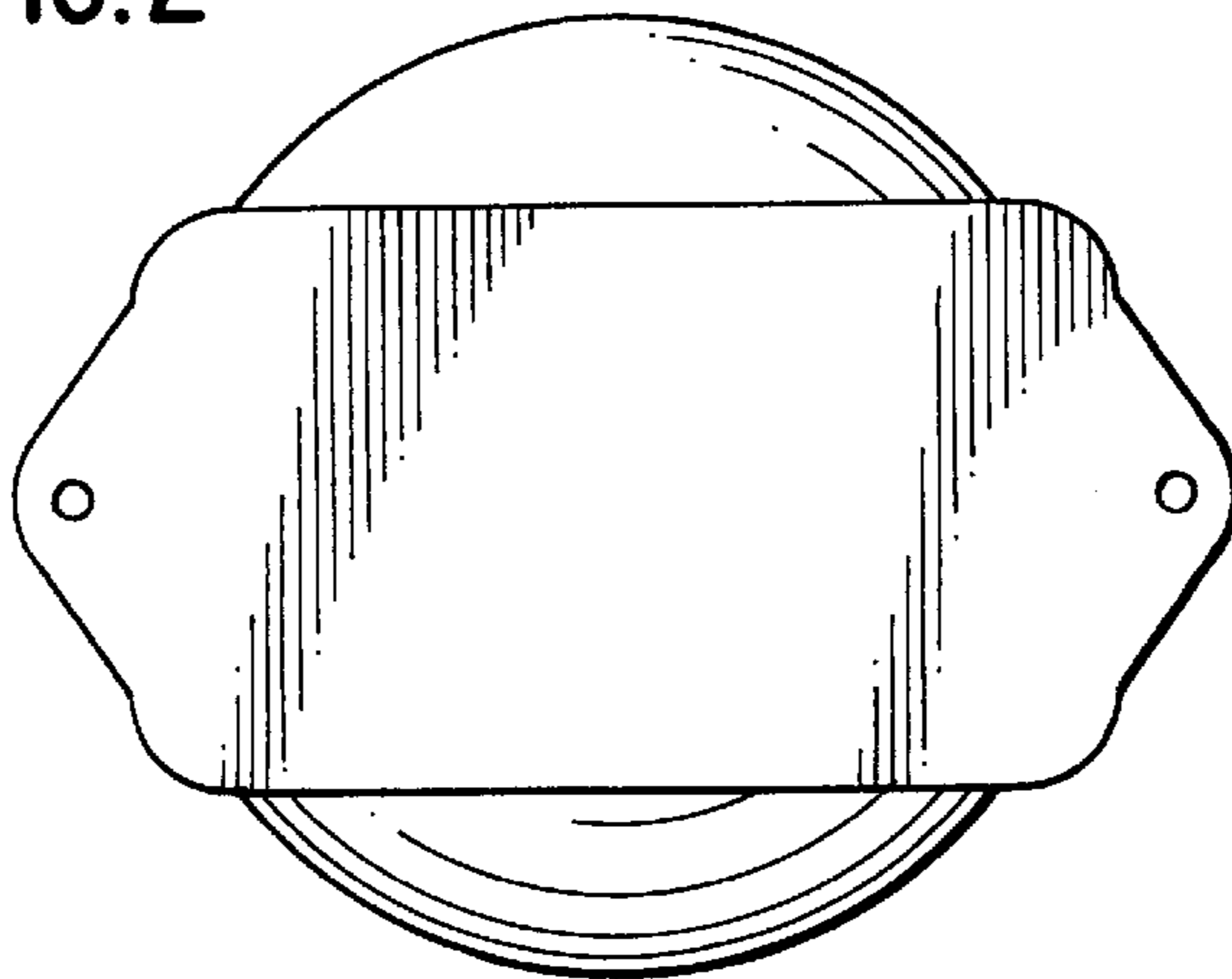


FIG. 4