



US00D437243S

(12) **United States Design Patent** (10) **Patent No.:** **US D437,243 S**
Cessac (45) **Date of Patent:** **** Feb. 6, 2001**

(54) **WIRELESS TELEMETRY UNIT**

(74) *Attorney, Agent, or Firm*—Browning Bushman

(75) **Inventor:** **Kevin J. Cessac**, Houston, TX (US)

(57) **CLAIM**

(73) **Assignee:** **PGI International, Ltd.**, Houston, TX (US)

The ornamental design for a wireless telemetry unit, as shown and described.

(**) **Term:** **14 Years**

DESCRIPTION

(21) **Appl. No.:** **29/101,565**

FIG. 1 is a pictorial view of a wireless telemetry unit in accordance with my invention, with the environment for mounting the unit being shown in dashed lines.

(22) **Filed:** **Mar. 6, 1999**

FIG. 2 is a top view of the unit shown in FIG. 1.

(51) **LOC (7) Cl.** **10-05**

FIG. 3 is a bottom view of the unit shown in FIG. 1.

(52) **U.S. Cl.** **D10/104**

FIG. 4 is a left side view of the unit shown in FIG. 1.

(58) **Field of Search** D10/104, 106, D10/116, 121; 340/500, 506, 540, 541, 545, 571, 572, 573, 577, 589, 600, 693

FIG. 5 is a front view of the unit shown in FIG. 1.

FIG. 6 is a back view of the unit shown in FIG. 1.

FIG. 7 is a right side view of the unit shown in FIG. 1.

FIG. 8 is a pictorial view of the wireless telemetry unit in accordance with my invention, with the environment for mounting the unit being shown in dashed lines.

(56) **References Cited**

U.S. PATENT DOCUMENTS

- D. 360,157 * 7/1995 Sandell et al. D10/106
- D. 398,872 * 9/1998 Jan D10/106
- D. 399,155 * 10/1998 Roberts D10/106

FIG. 9 is a top view of the unit shown in FIG. 8.

FIG. 10 is a bottom view of the unit shown in FIG. 8.

FIG. 11 is left side view of the unit shown in FIG. 8.

FIG. 12 is front view of the unit shown in FIG. 8.

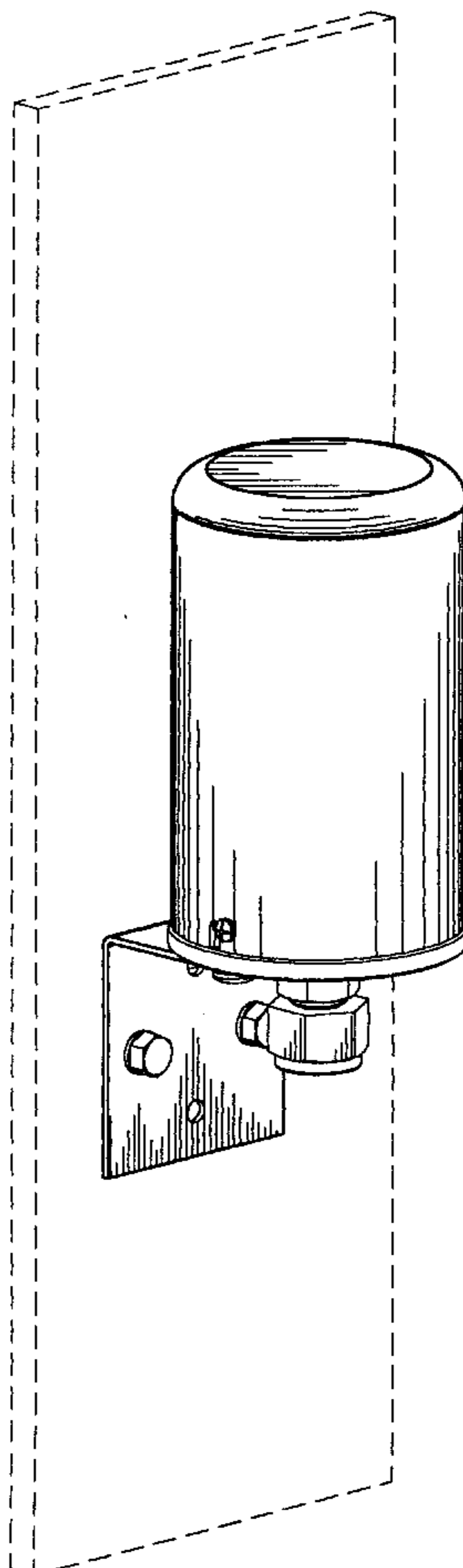
FIG. 13 is a right side view of the unit shown in FIG. 8; and,

FIG. 14 is a back view of the unit shown in FIG. 8.

* cited by examiner

Primary Examiner—Marcus A. Jackson

1 Claim, 4 Drawing Sheets



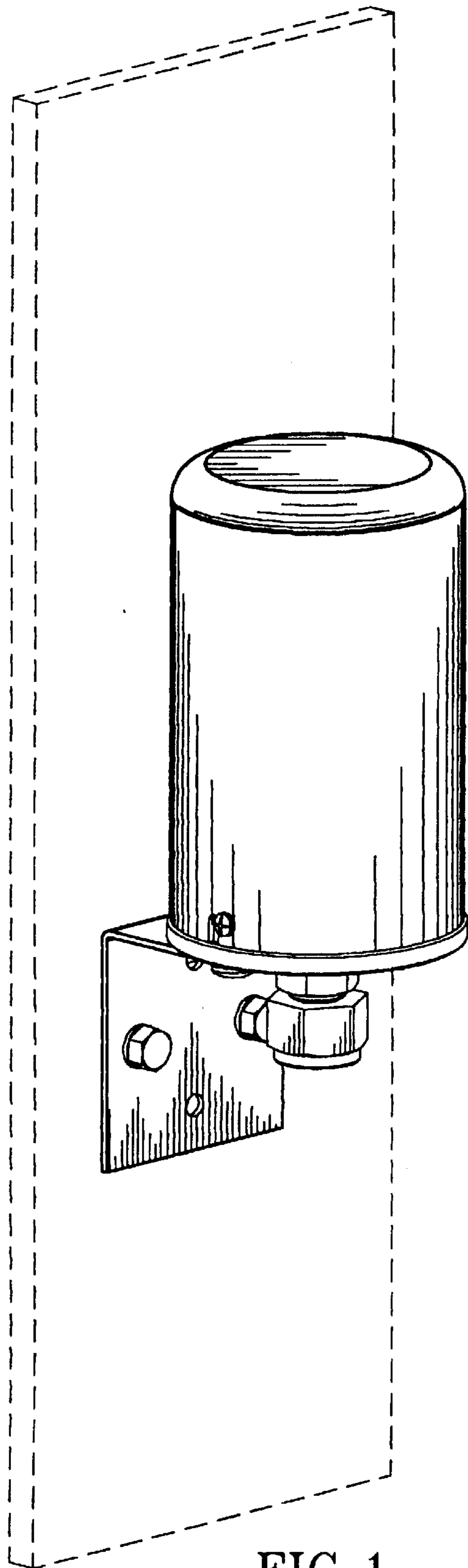


FIG. 1

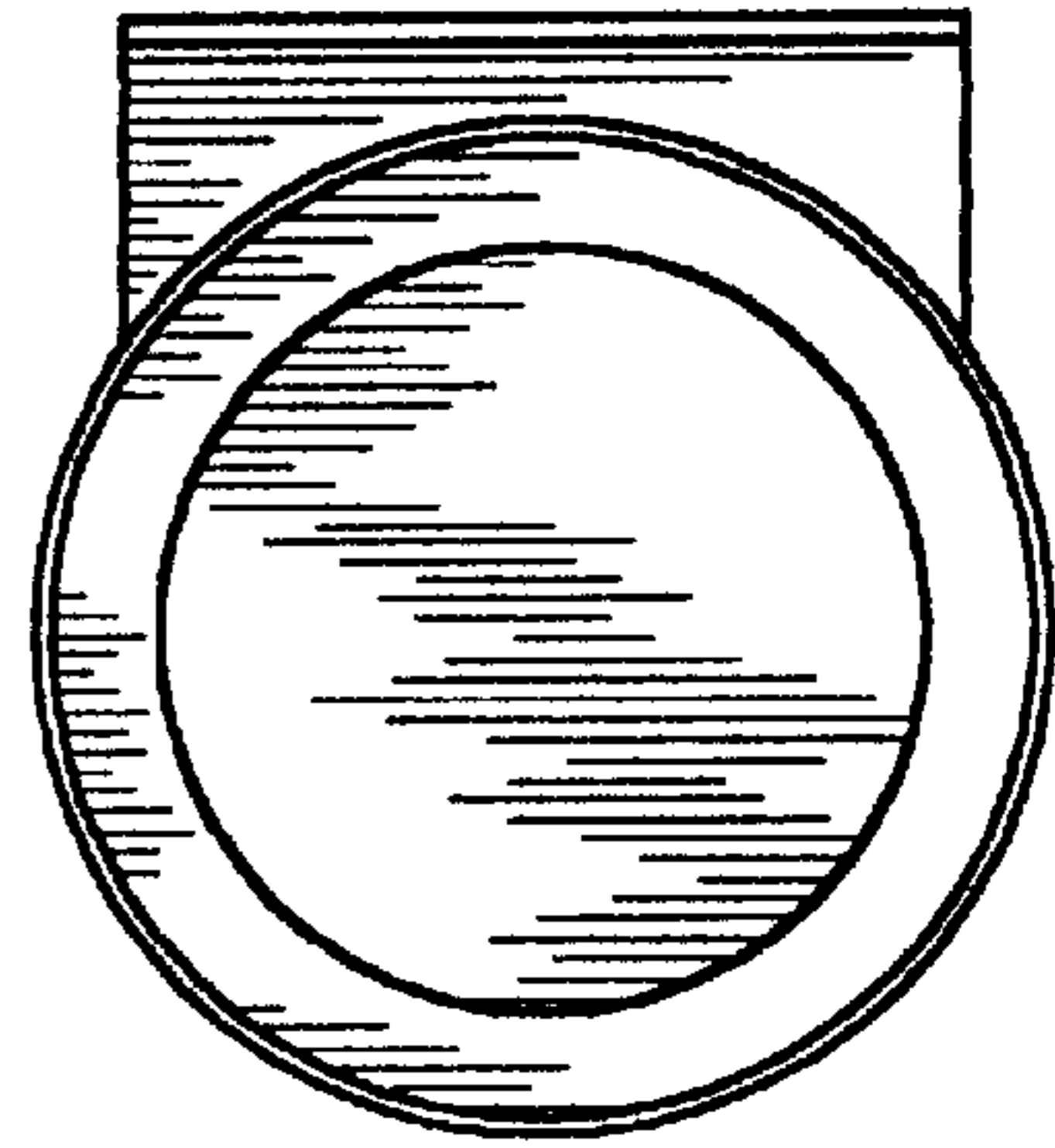


FIG. 2

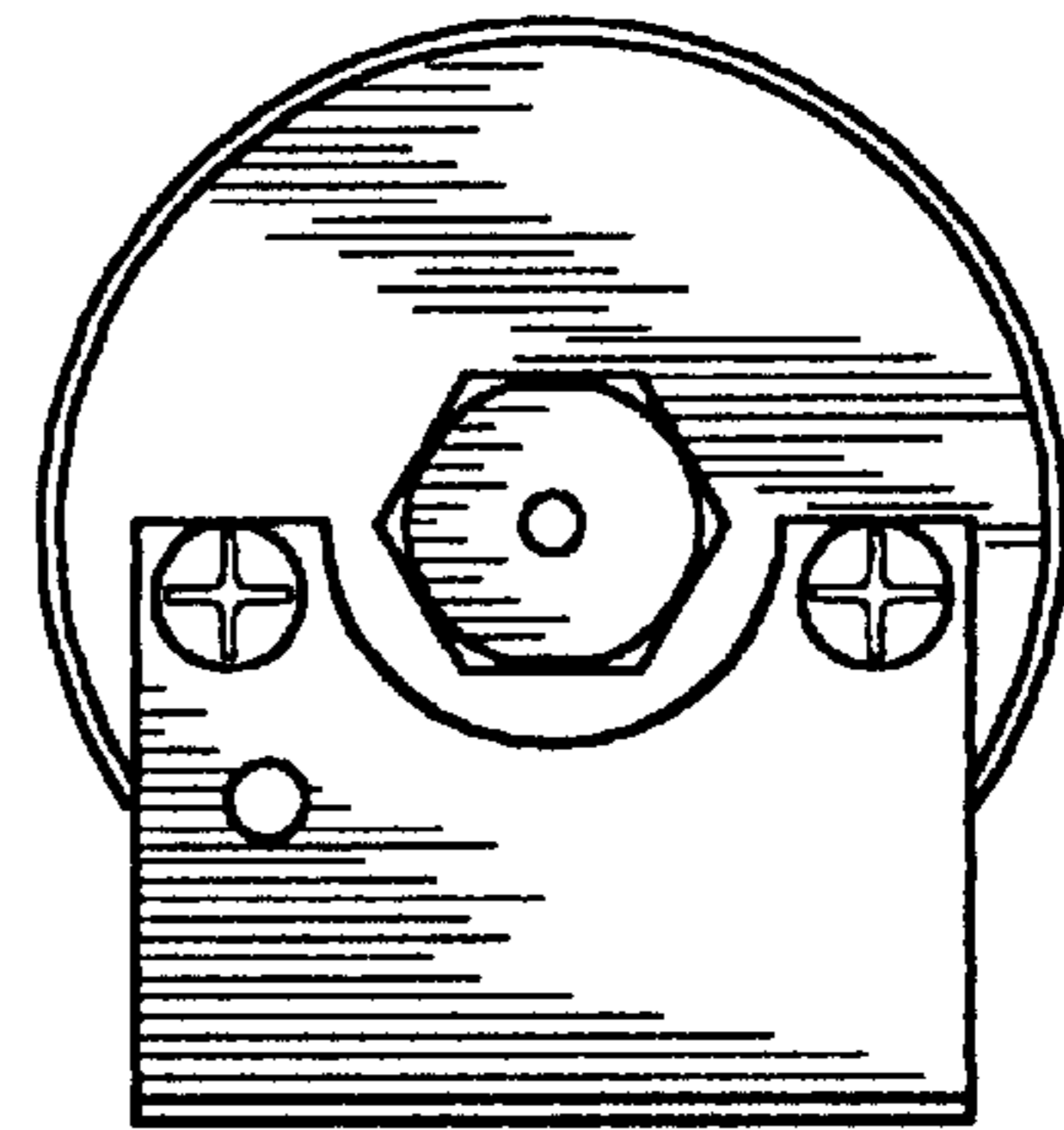


FIG. 3

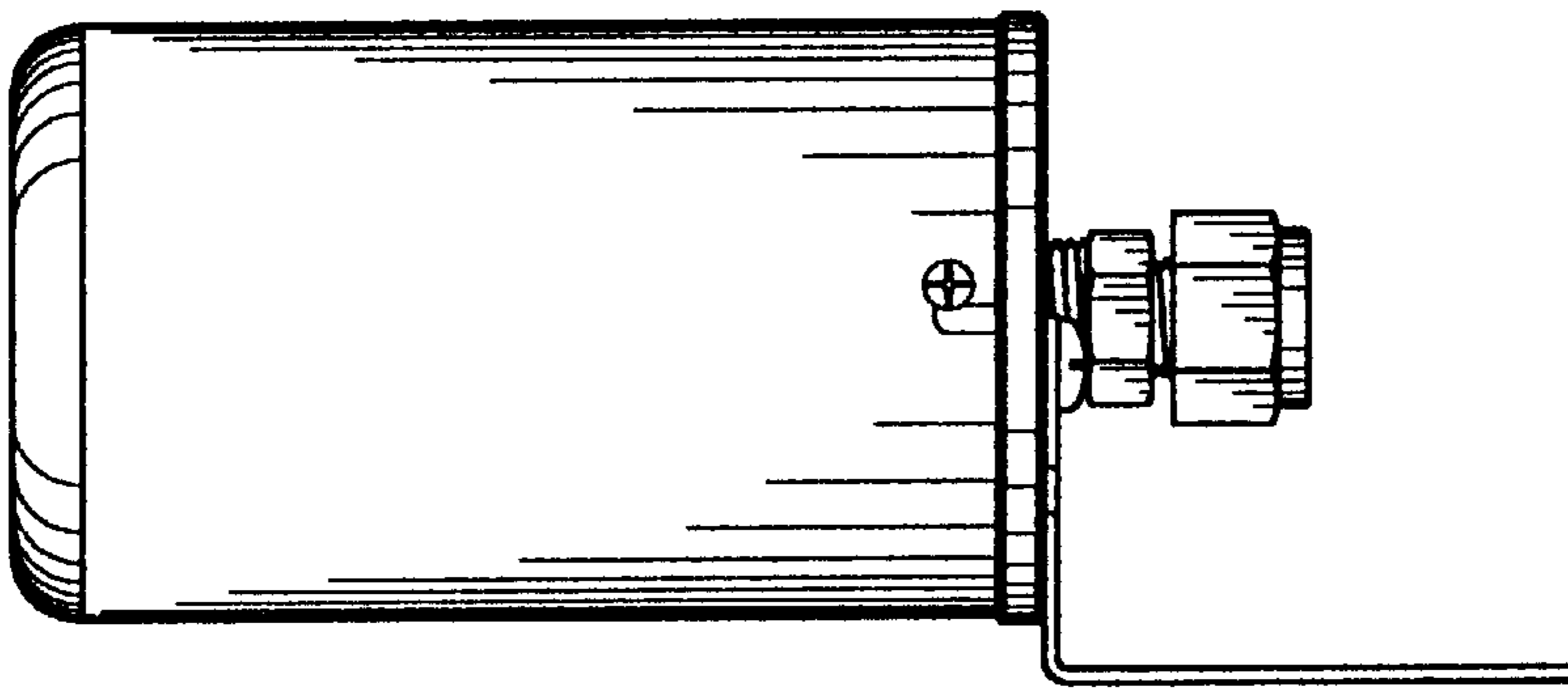


FIG. 4

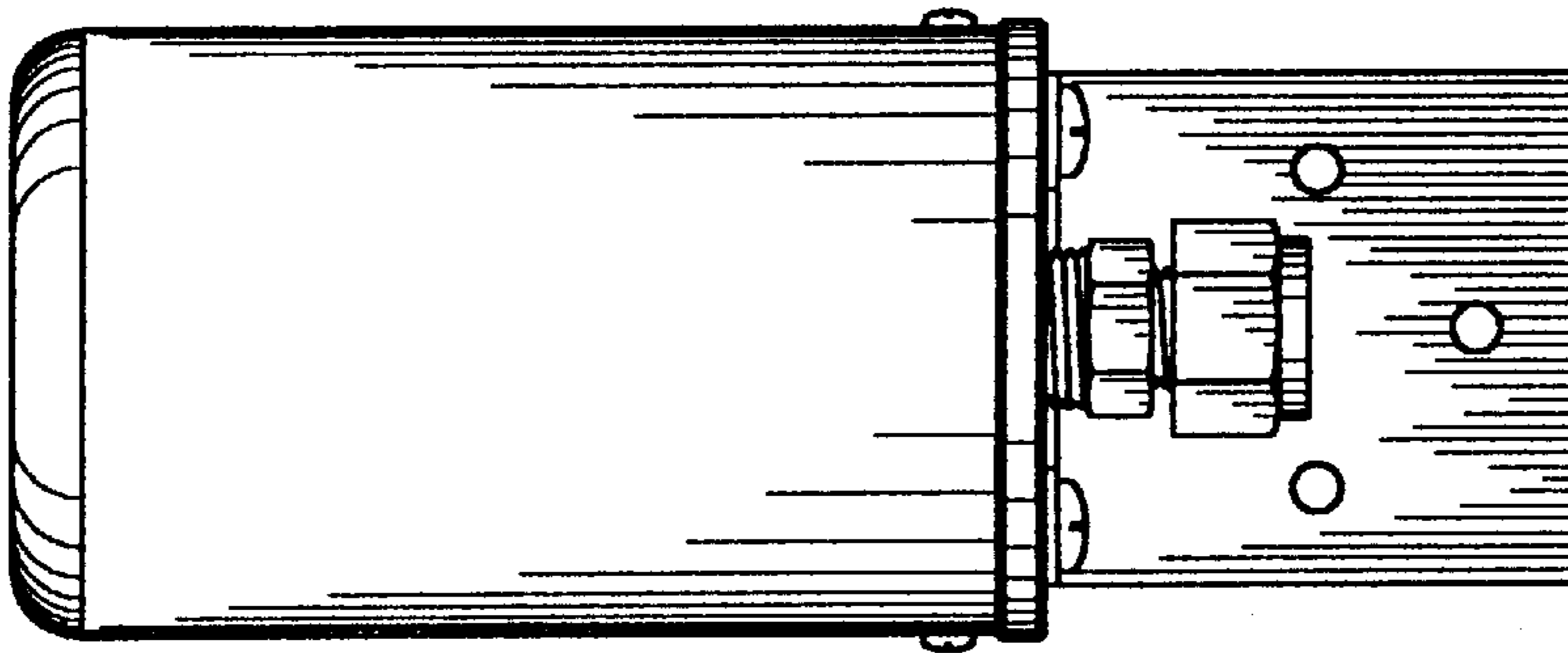


FIG. 5

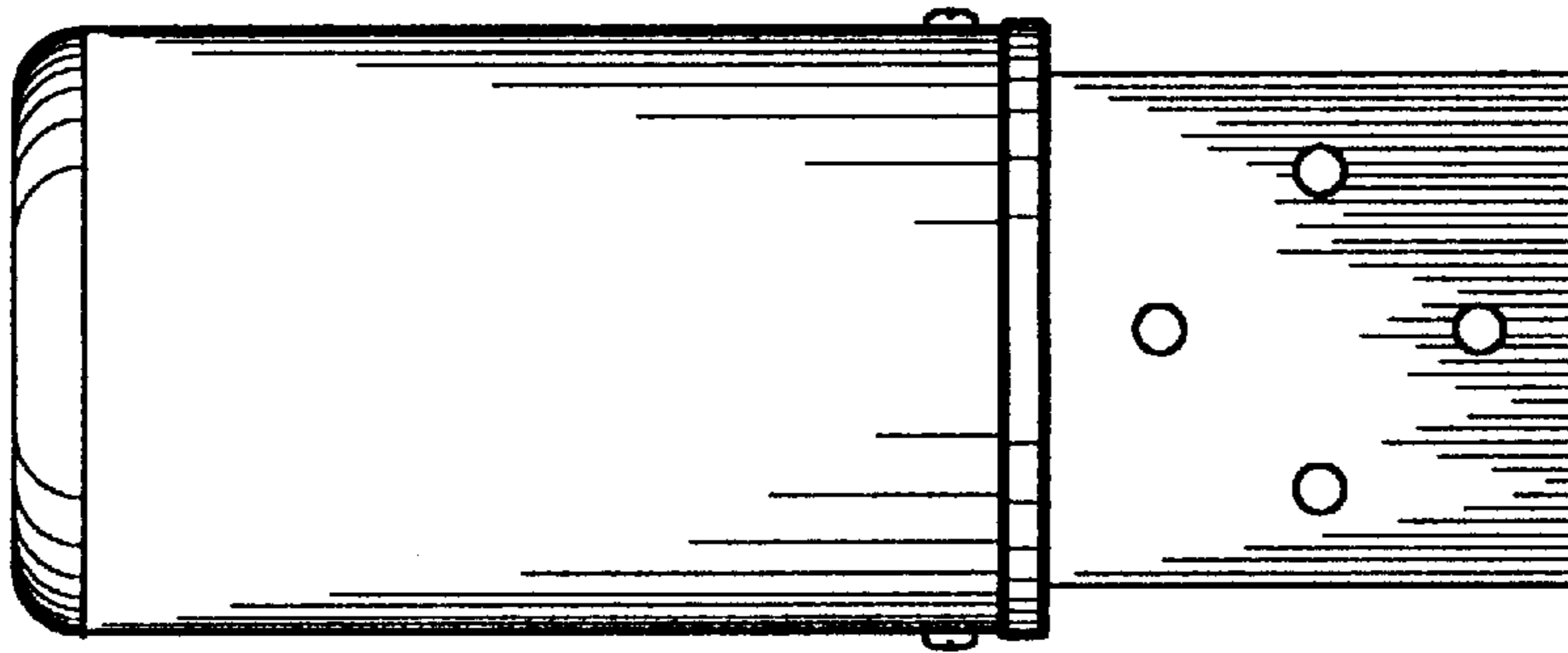


FIG. 6

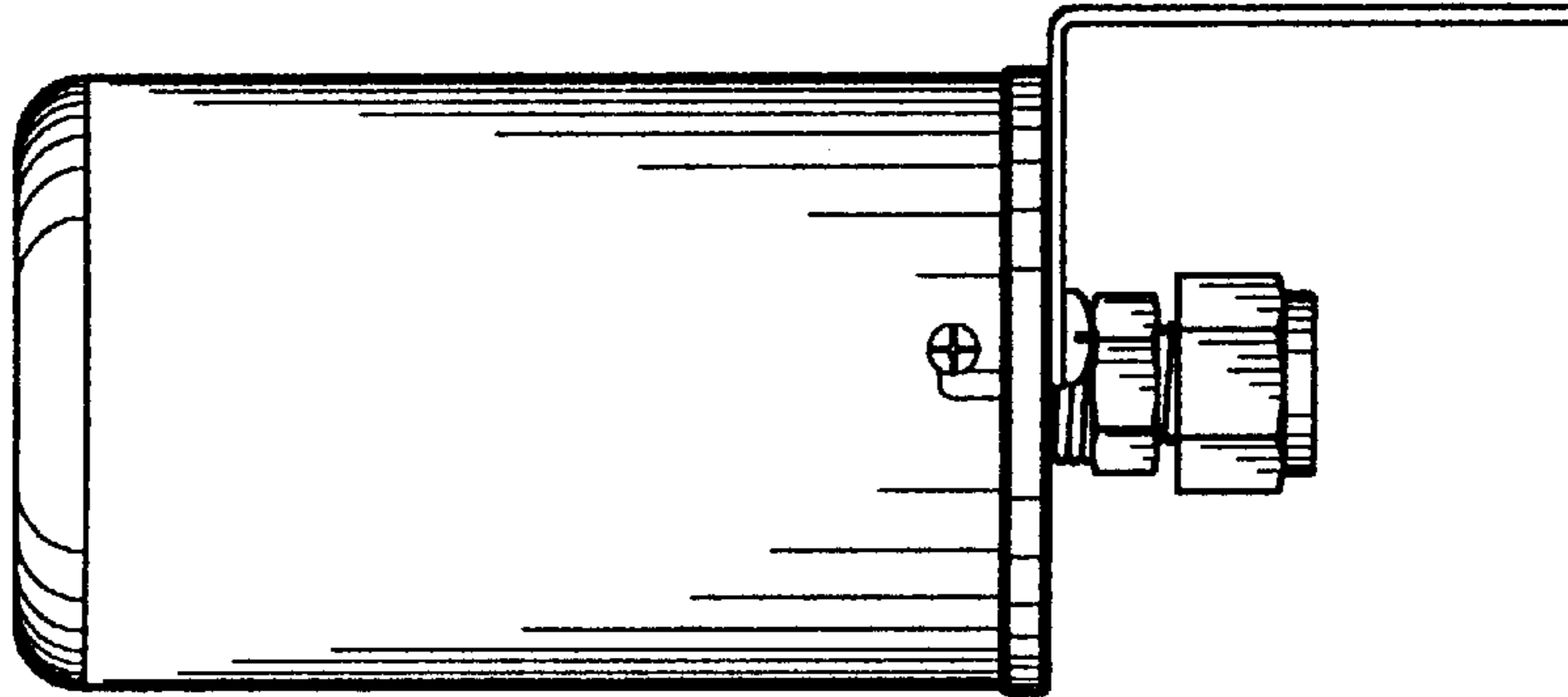


FIG. 7

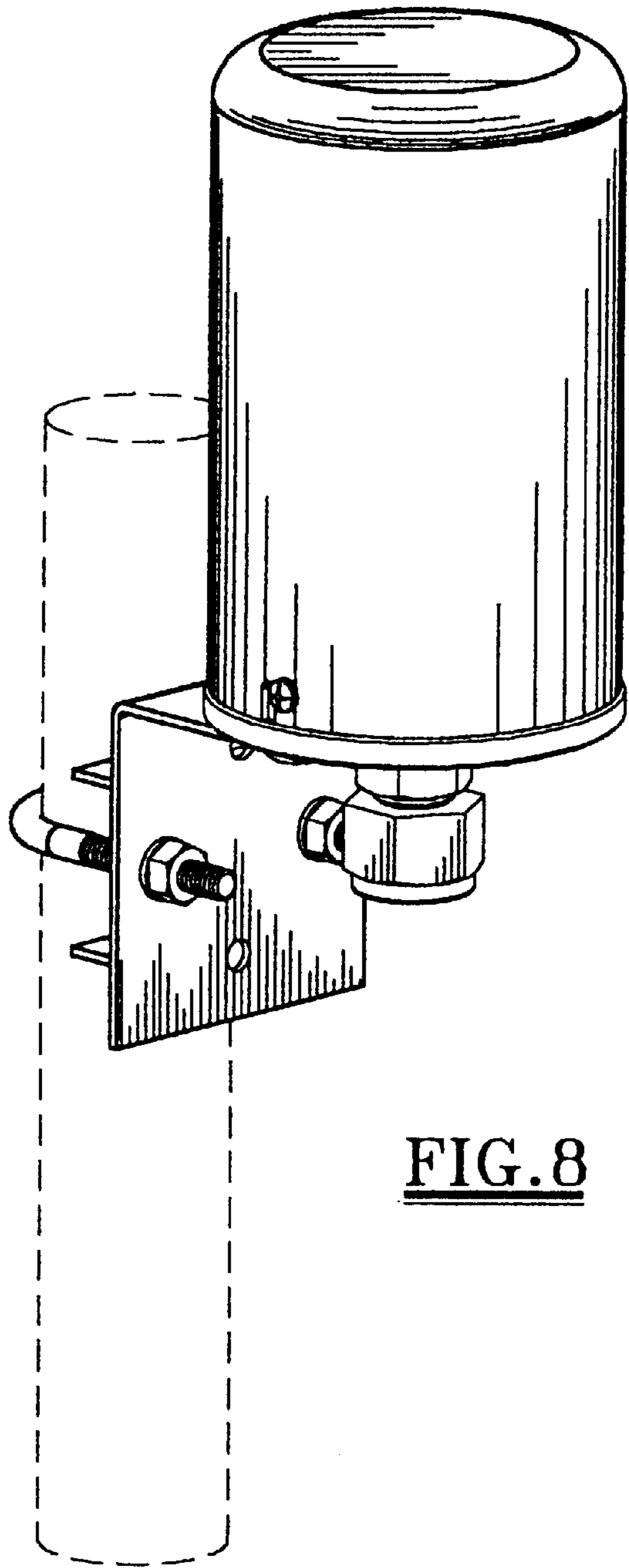


FIG. 8

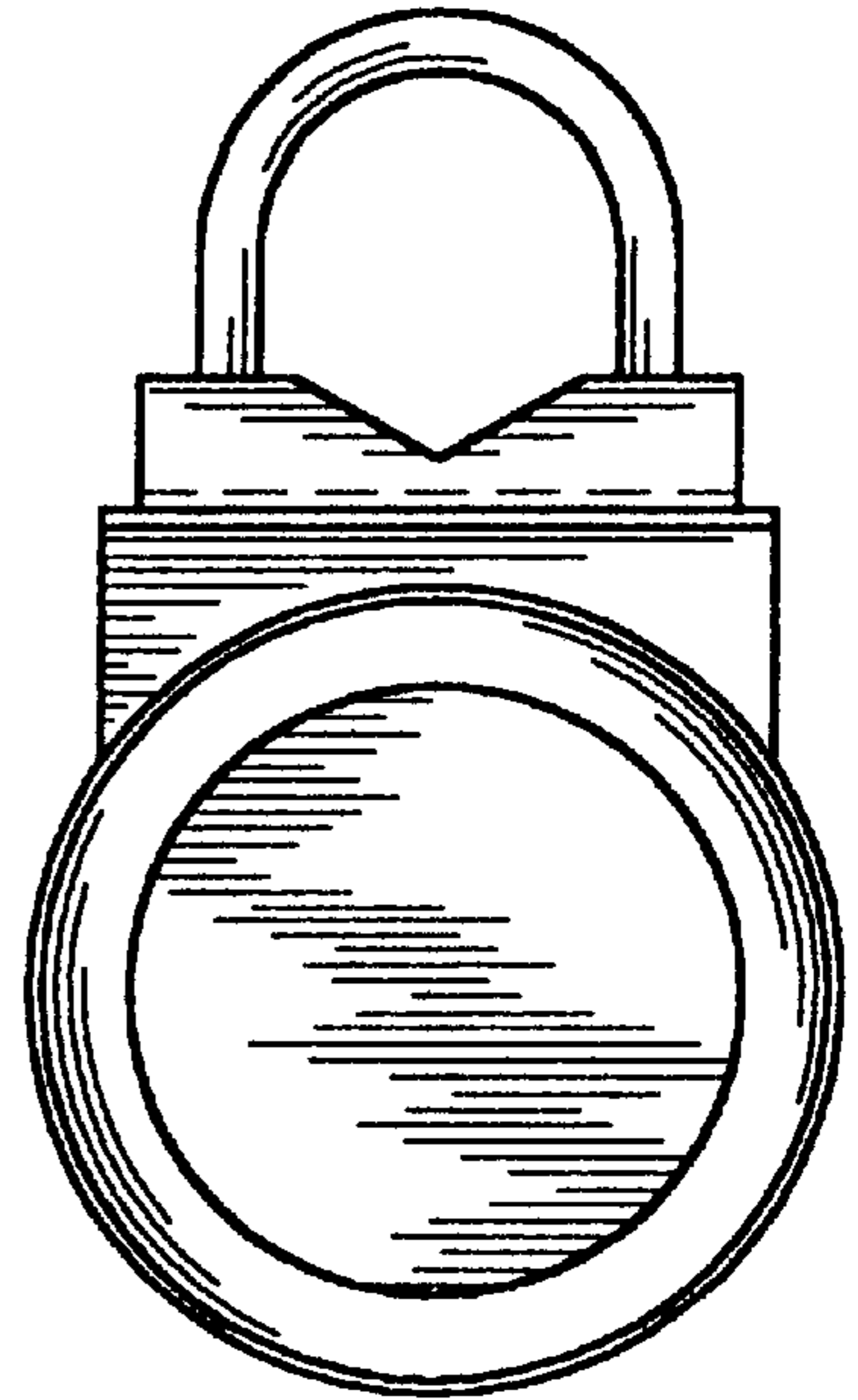


FIG. 9

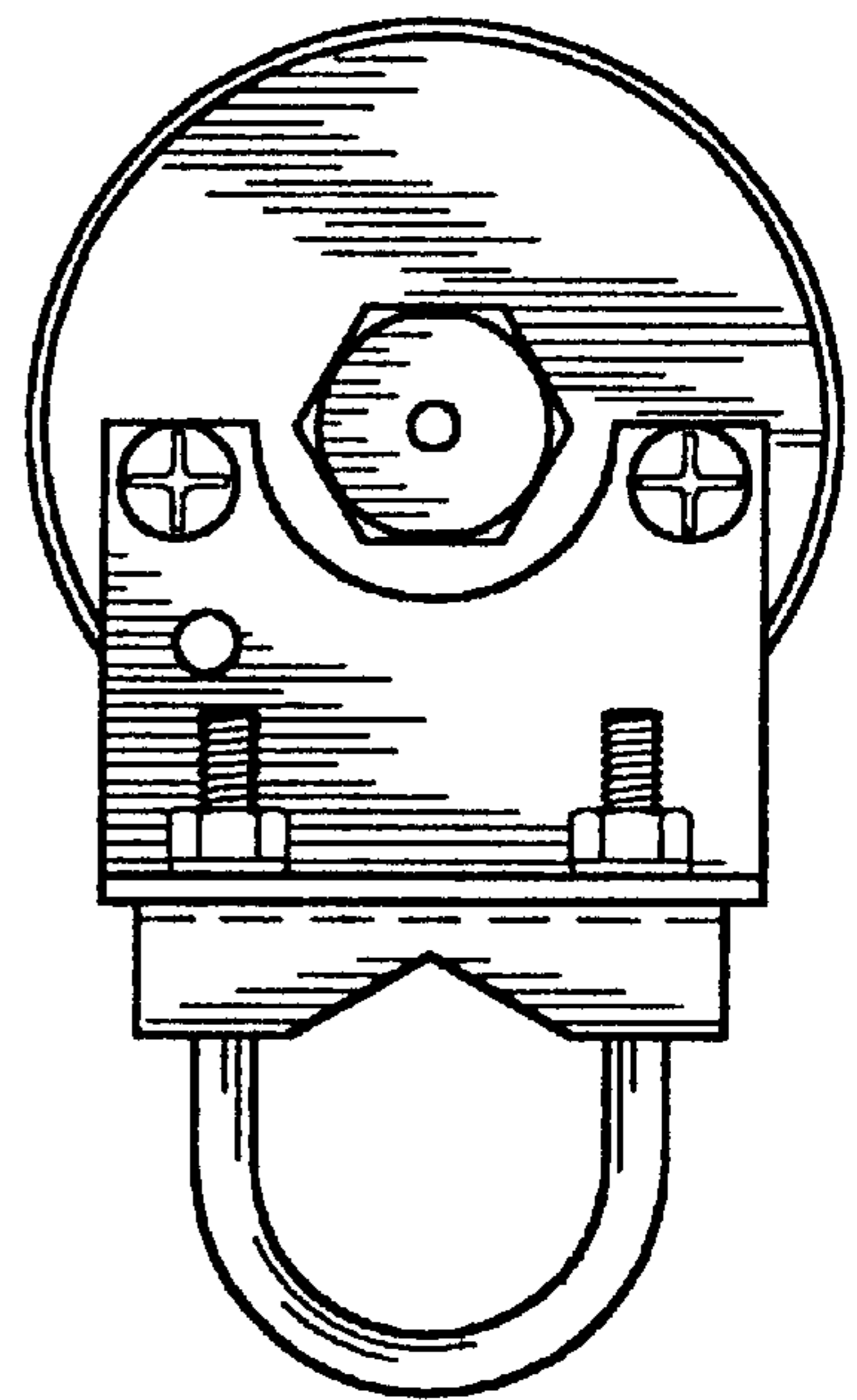


FIG. 10

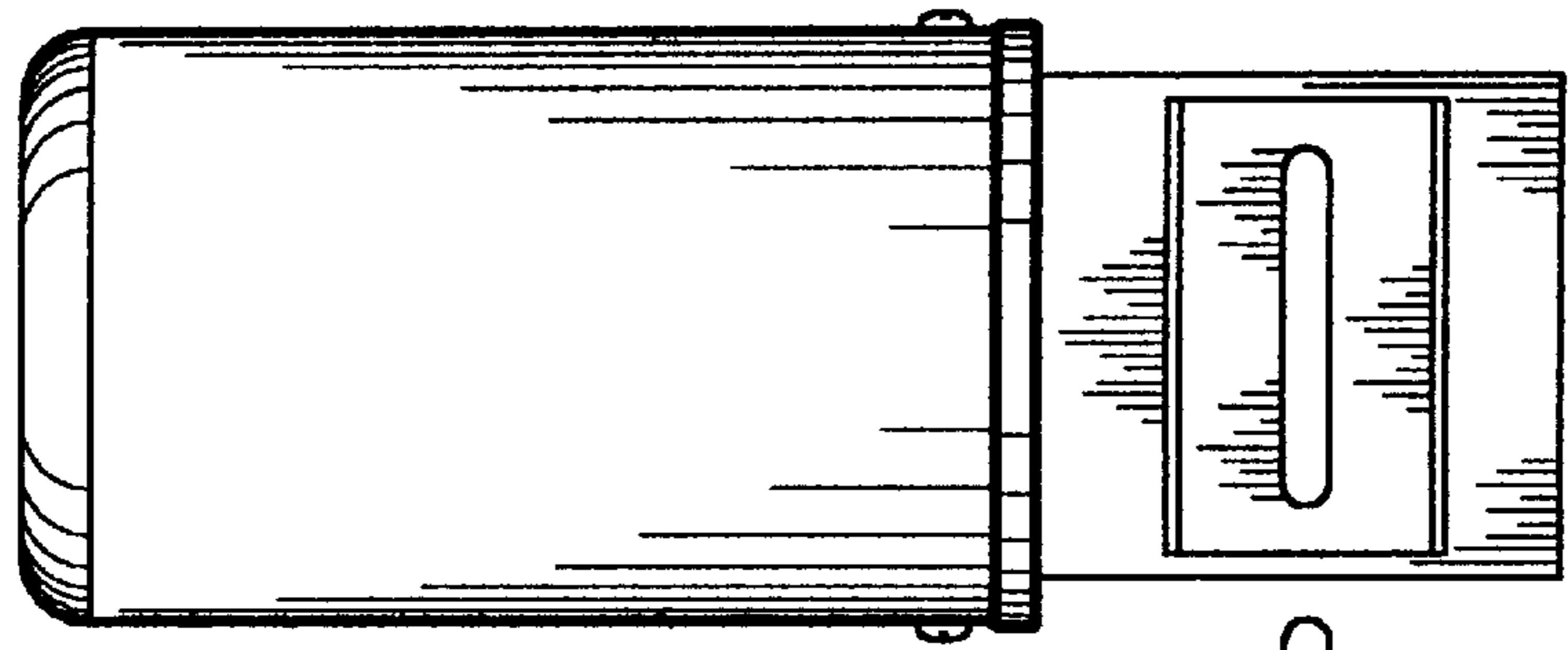


FIG. 14

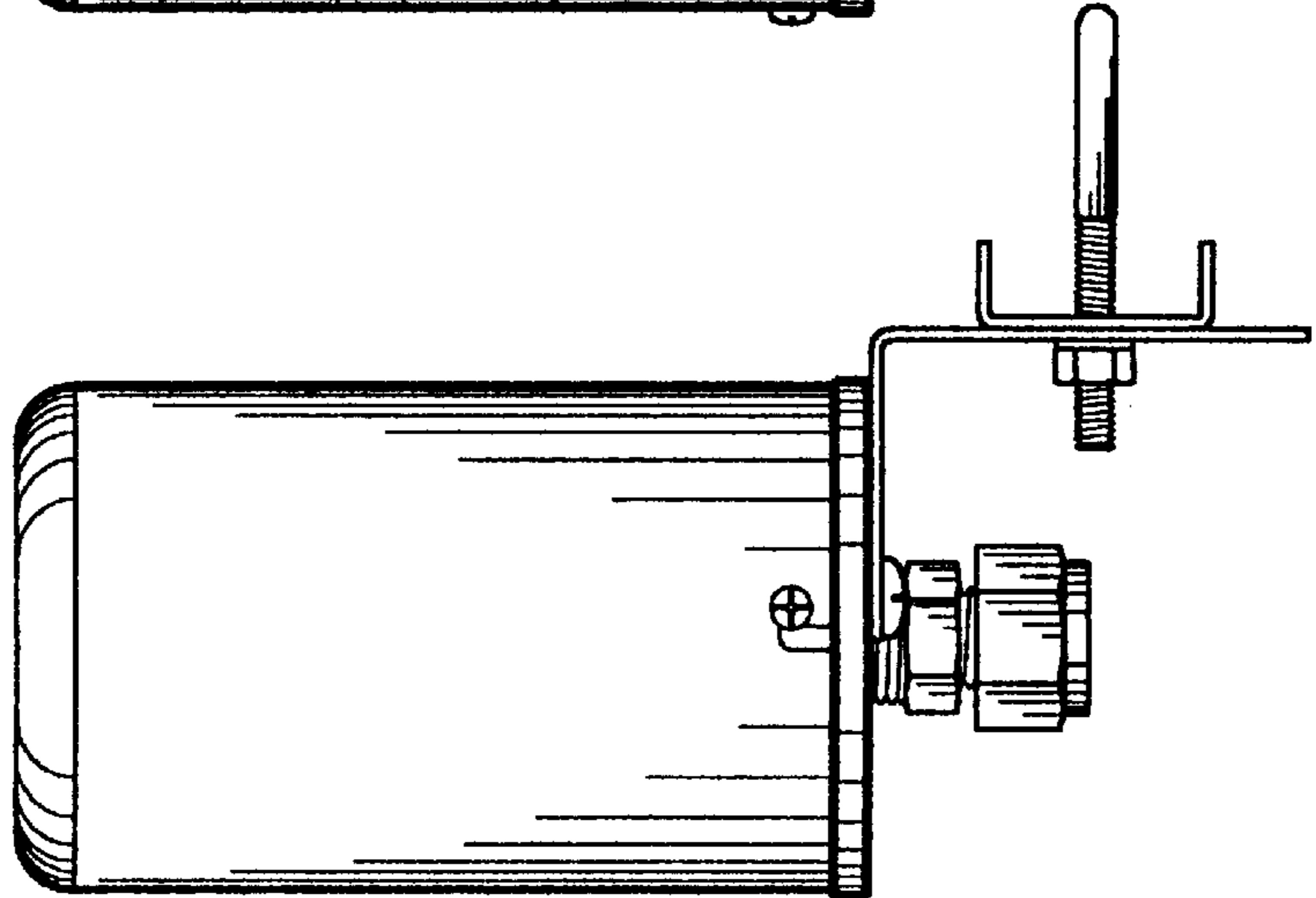


FIG. 13

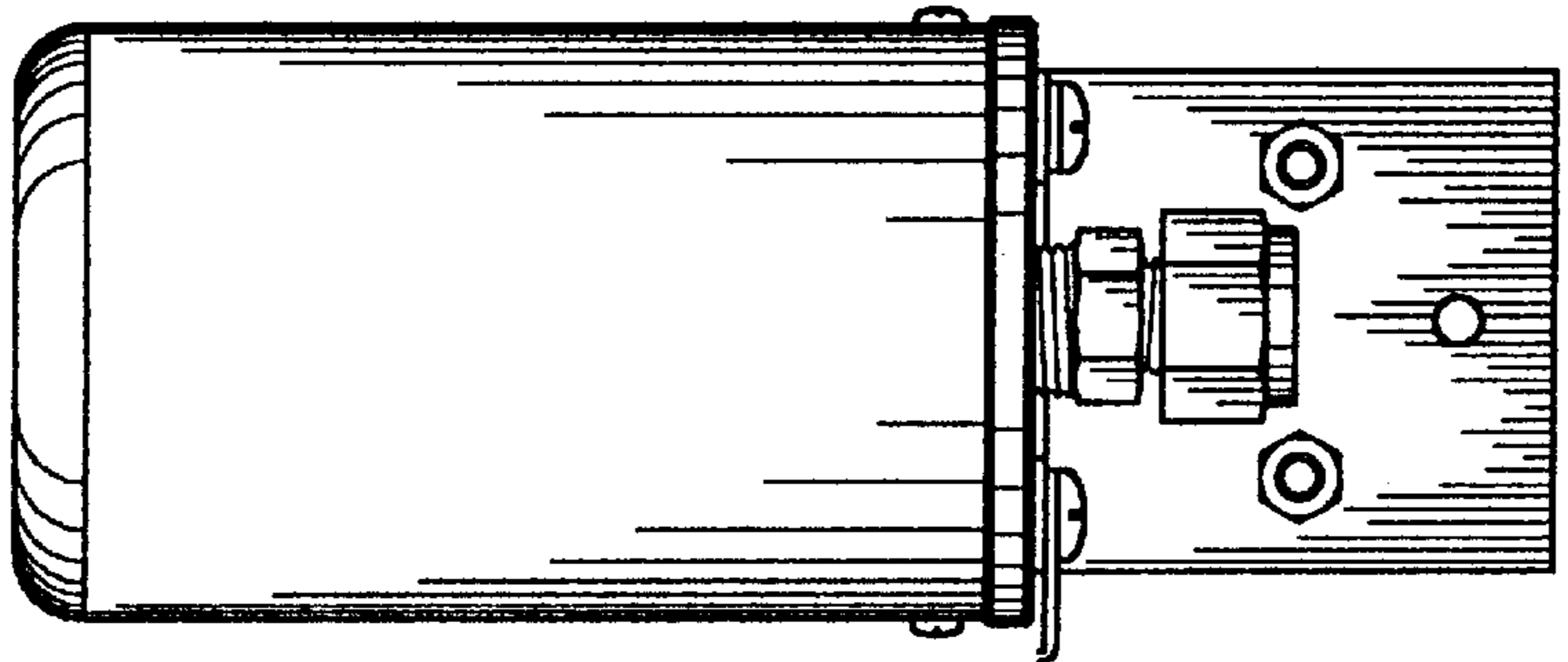


FIG. 12

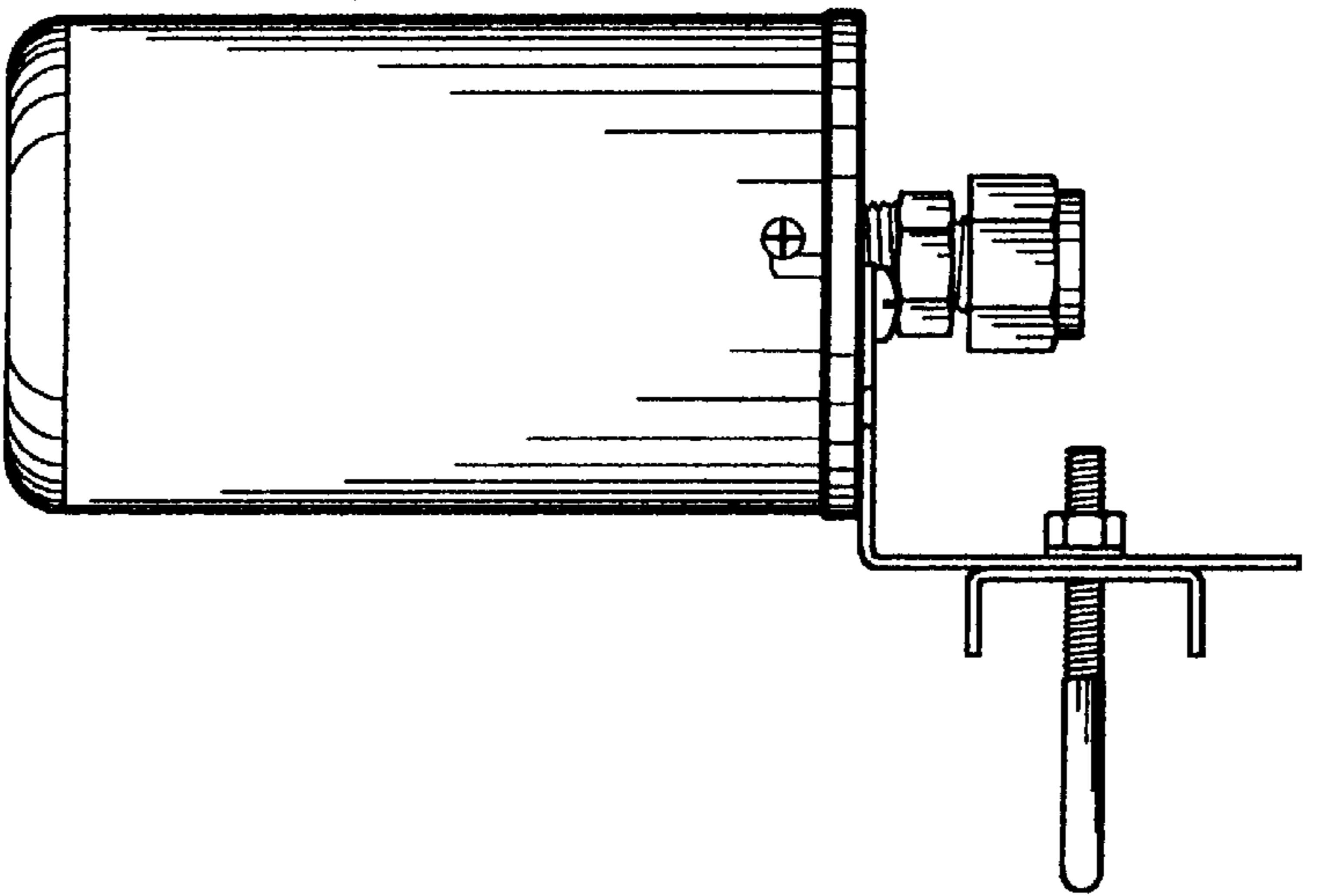


FIG. 11