



US00D437236S

(12) **United States Design Patent**
Hargrove, III

(10) **Patent No.:** **US D437,236 S**

(45) **Date of Patent:** **** Feb. 6, 2001**

(54) **CLOCK**

(75) **Inventor:** **Walter Edward Hargrove, III**, Athens, GA (US)

(73) **Assignee:** **GTC Properties, Inc.**, Wilmington, DE (US)

(**) **Term:** **14 Years**

(21) **Appl. No.:** **29/105,023**

(22) **Filed:** **May 14, 1999**

(51) **LOC (7) Cl.** **10-01**

(52) **U.S. Cl.** **D10/15; D10/18**

(58) **Field of Search** D10/1-40, 122-132;
368/280-282, 63, 276-277, 28-30, 285,
239-242, 243-244, 250, 256, 260, 82-84,
41-44

(56) **References Cited**

U.S. PATENT DOCUMENTS

- D. 366,215 * 1/1996 George et al. D10/18
- D. 382,008 * 8/1997 Mak D18/2
- D. 415,431 * 10/1999 Duke D10/15

* cited by examiner

Primary Examiner—Nelson C. Holtje

(74) *Attorney, Agent, or Firm*—Jones, Day, Reavis & Pogue

(57) **CLAIM**

The ornamental design for a clock, as shown and described.

DESCRIPTION

FIG. 1 is a perspective view of the clock of the present invention in an opened position;

FIG. 2 is a front elevational view of the clock of FIG. 1;

FIG. 3 is a top plan view of the clock of FIG. 1;

FIG. 4 is a back plan view of the clock of FIG. 1;

FIG. 5 is a right side elevational view of the clock of FIG. 1, the left side being a mirror image thereto;

FIG. 6 is a perspective view of the clock shown in FIGS. 1-5 in a closed position;

FIG. 7 is a front elevational view of the clock of FIG. 6;

FIG. 8 is a top plan view of the clock of FIG. 6; and,

FIG. 9 is a right side elevational view of the clock of FIG. 6, the left side being a mirror image thereto.

1 Claim, 2 Drawing Sheets

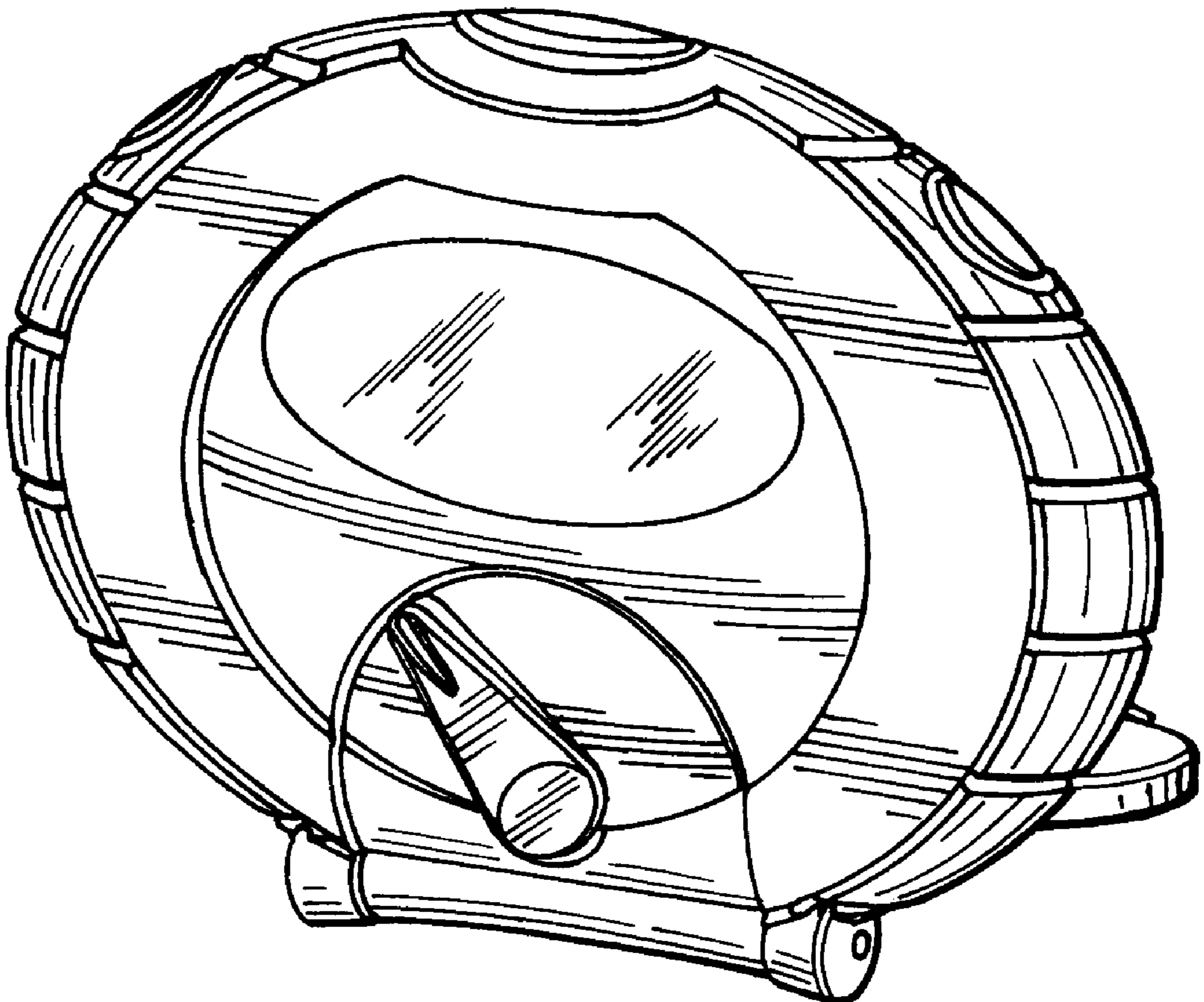


FIG.4

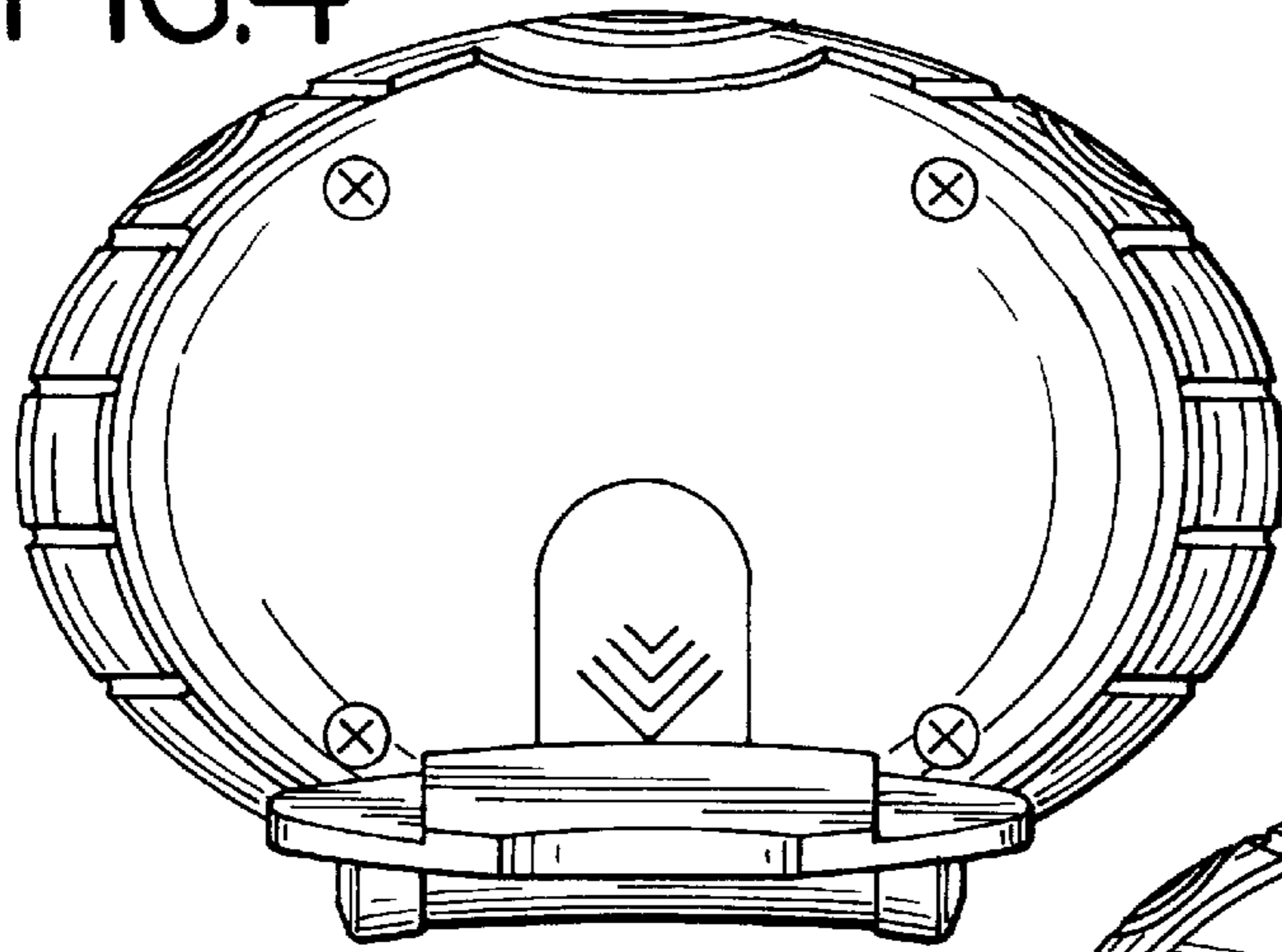


FIG.1

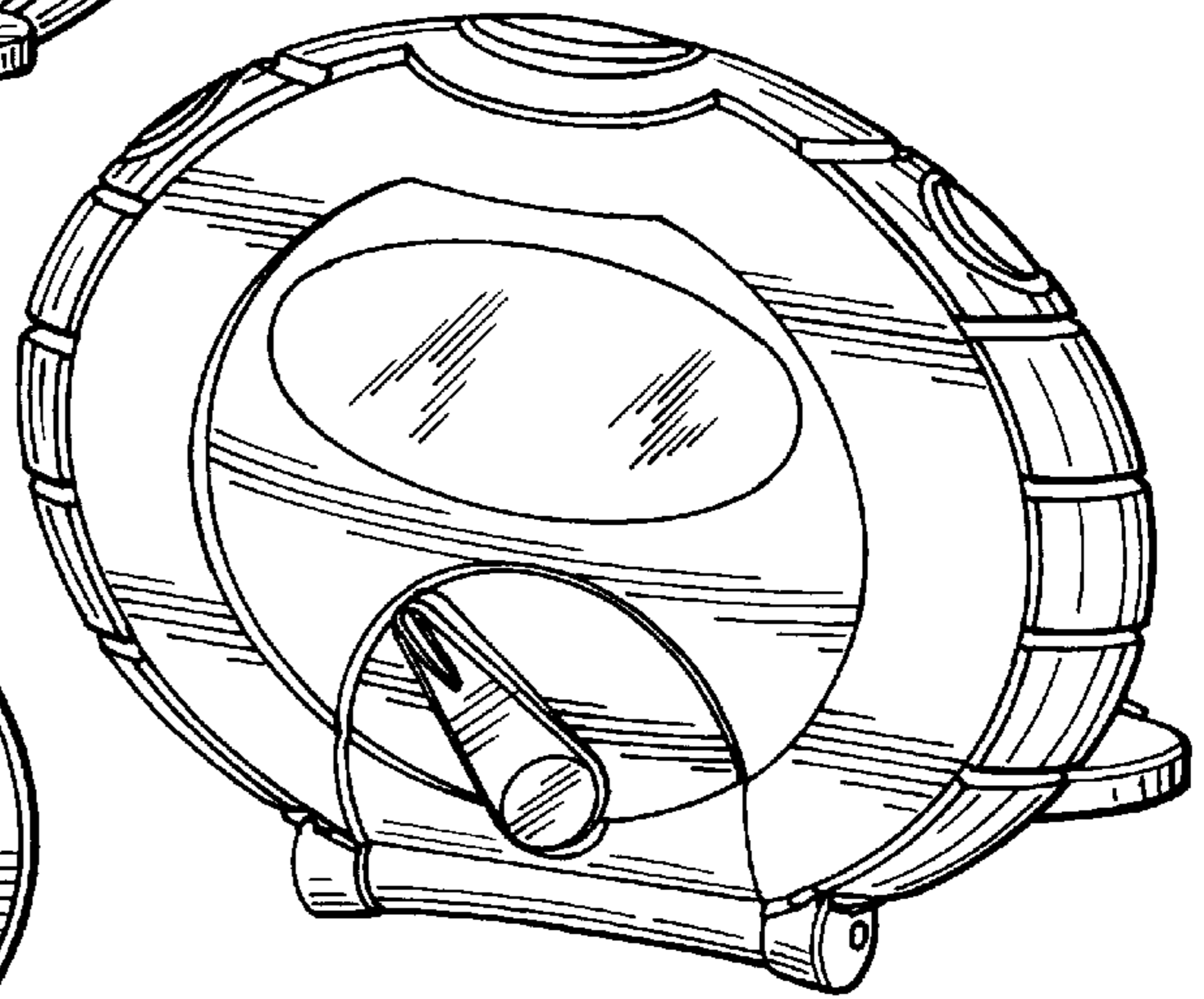


FIG.3

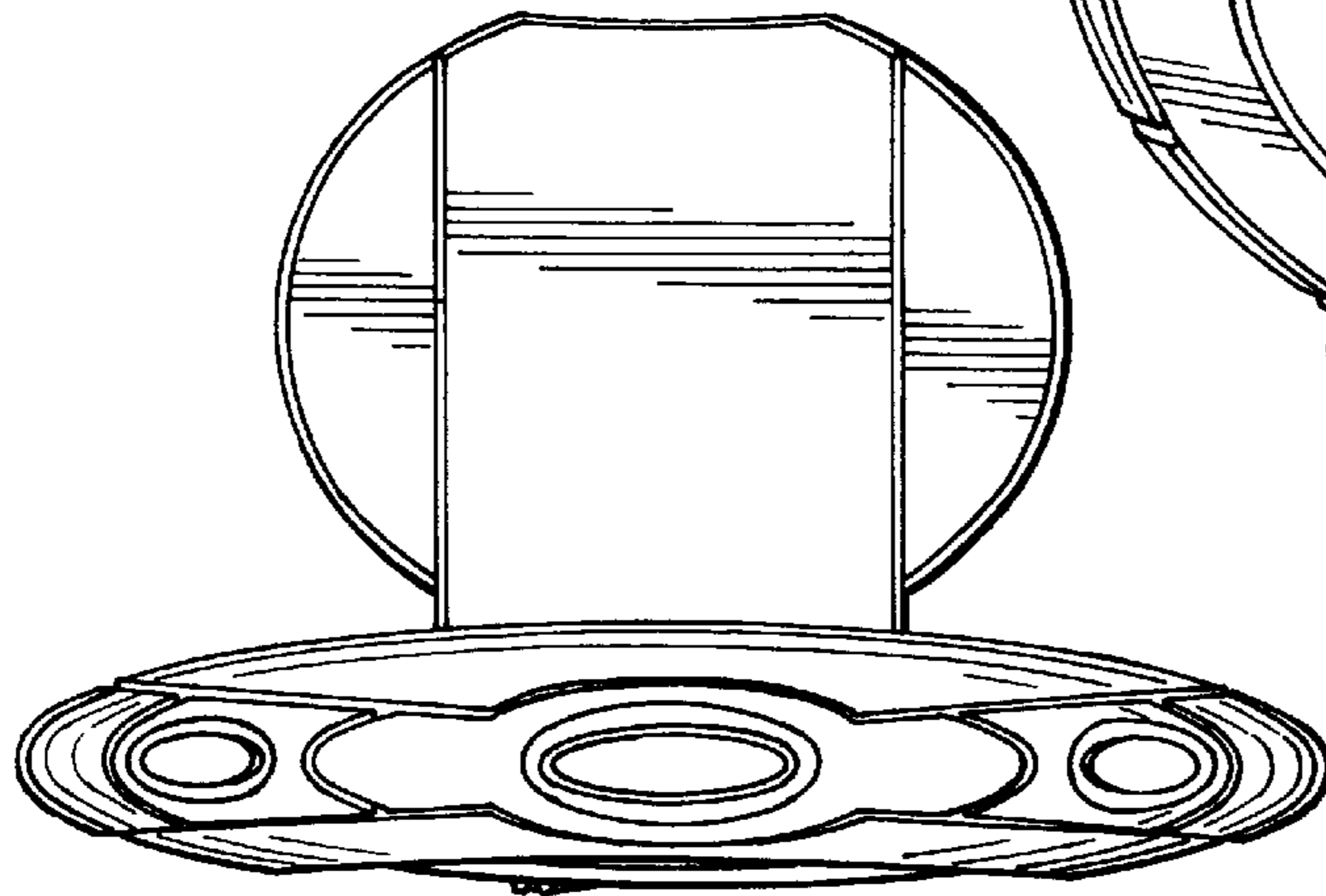


FIG.5

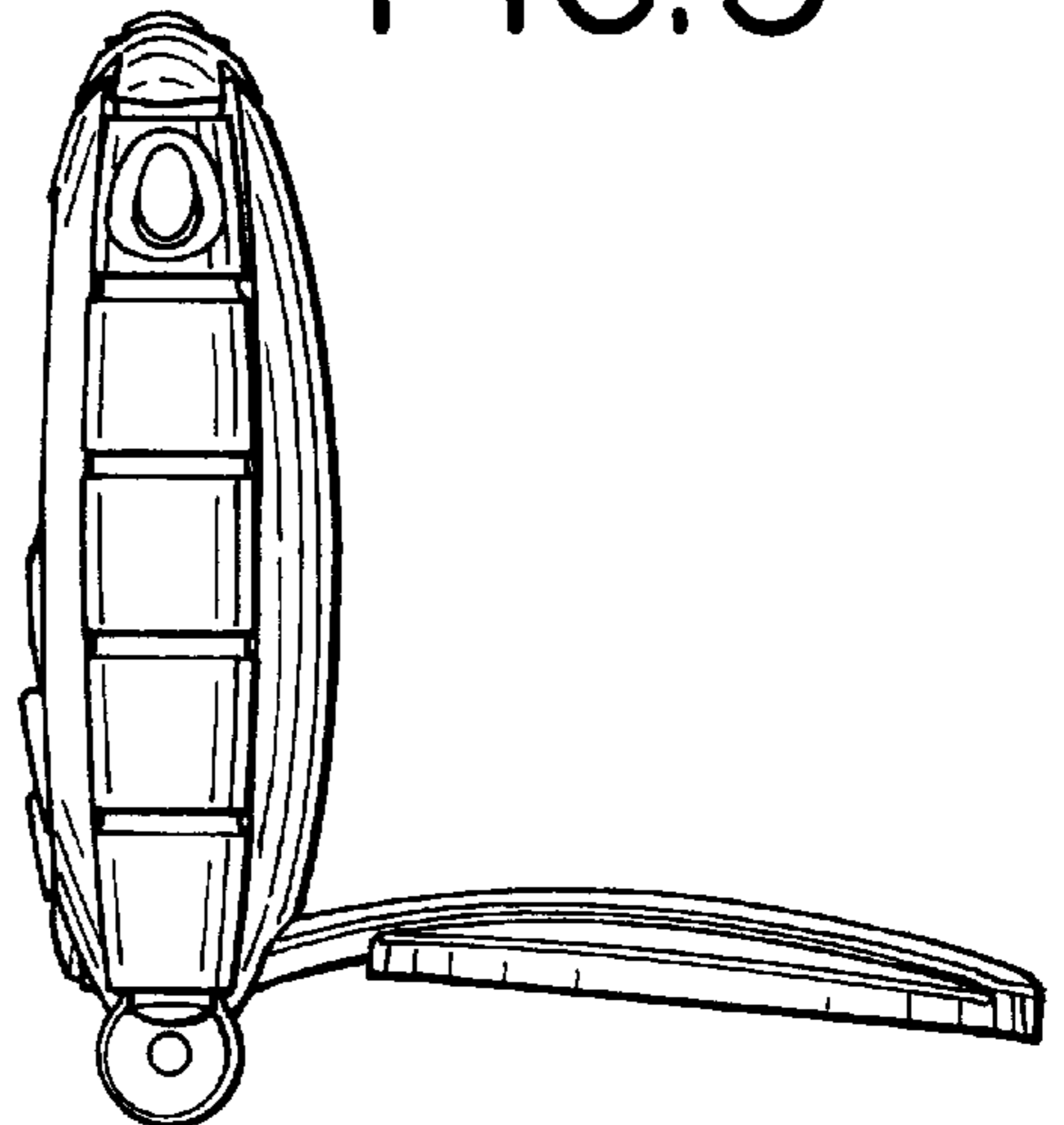


FIG.2

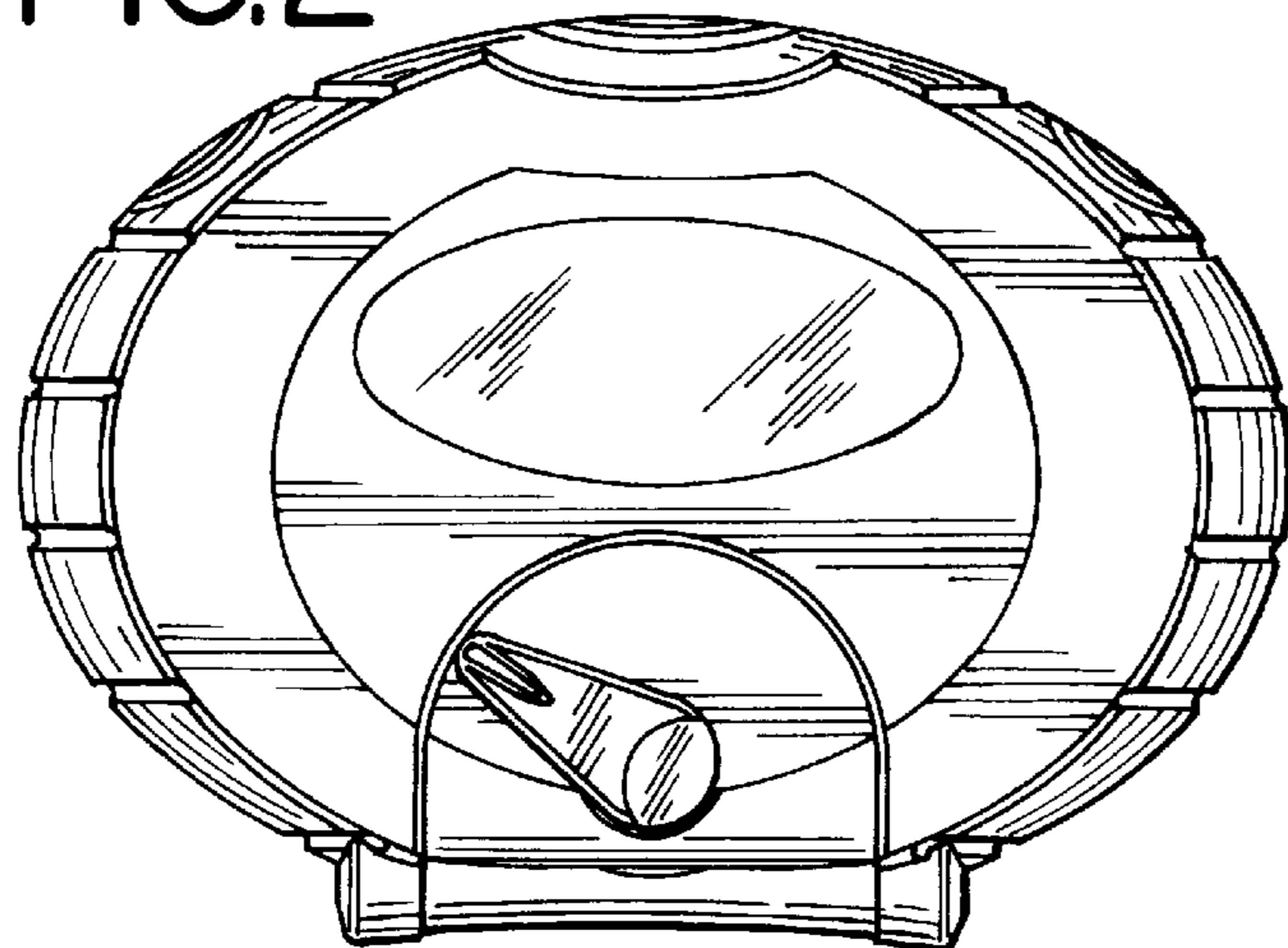


FIG.6

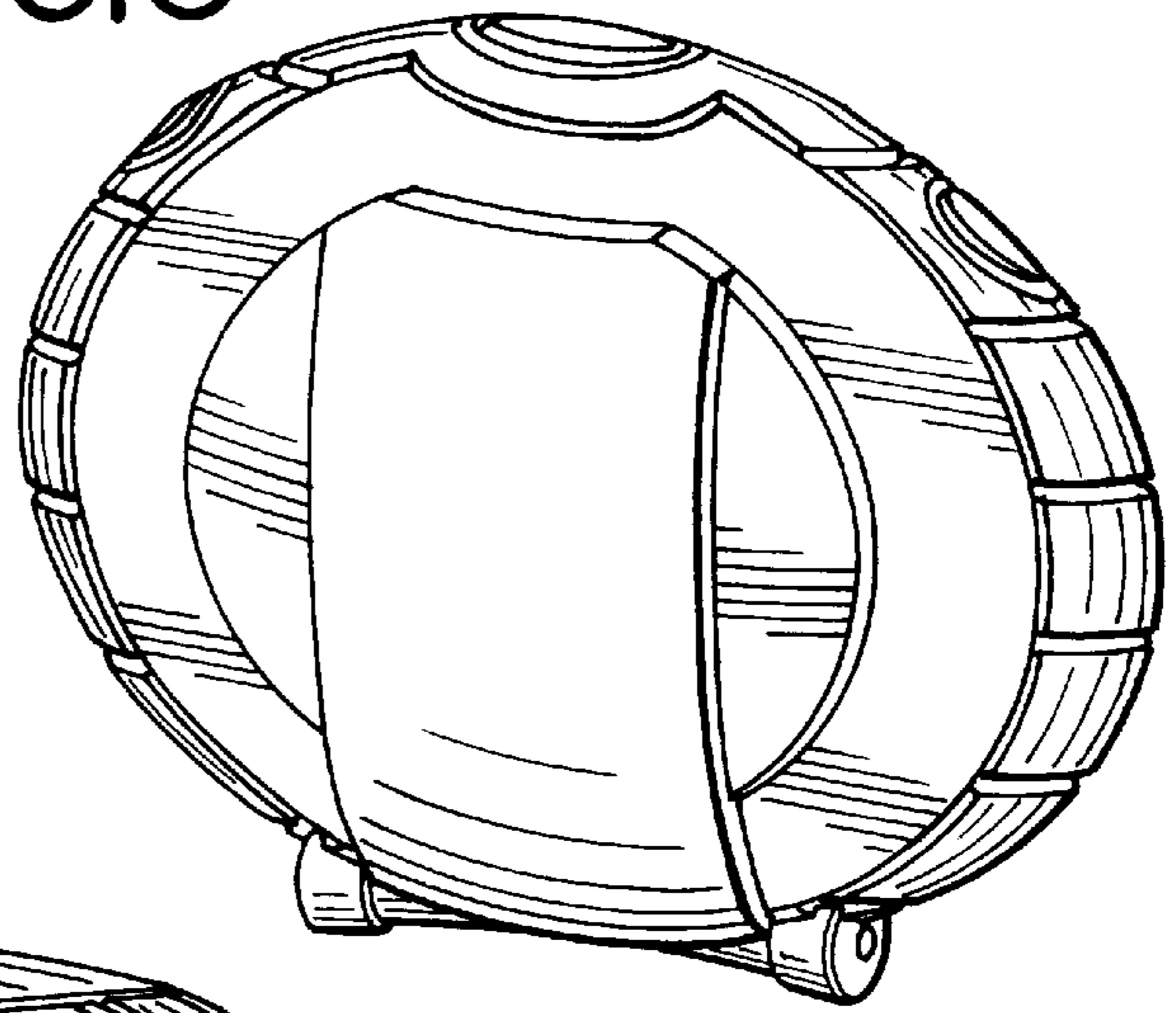


FIG.8

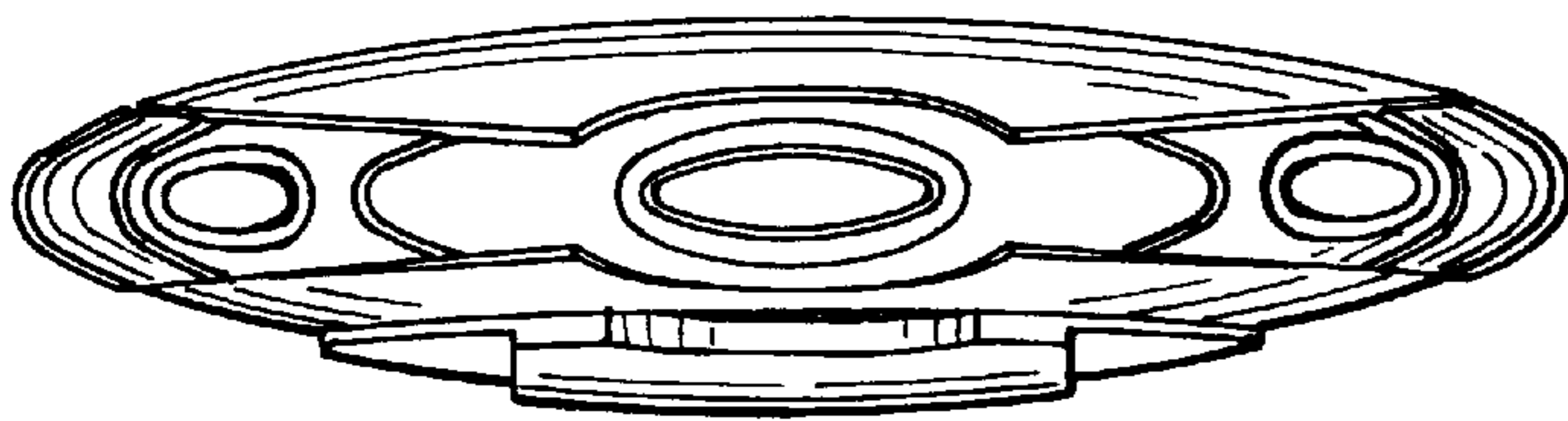


FIG.7

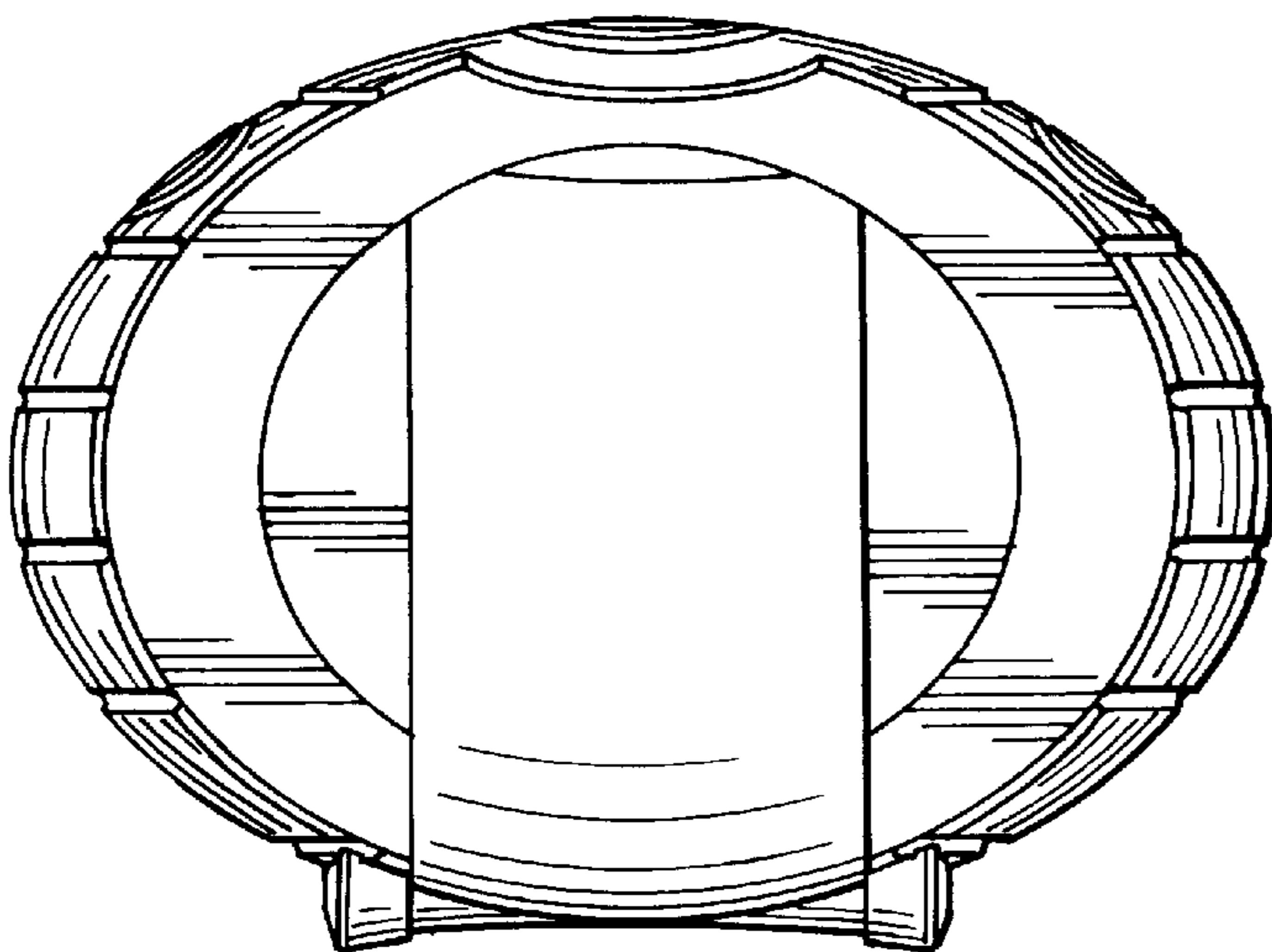


FIG.9

