



US00D437233S

(12) **United States Design Patent**
Gibert

(10) **Patent No.:** **US D437,233 S**

(45) **Date of Patent:** **** Feb. 6, 2001**

(54) **FLAT-SIDED BOTTLE**

(75) **Inventor:** **Delfin Gibert, Sharon, PA (US)**

(73) **Assignee:** **Exal Corporation, Youngstown, OH (US)**

(**) **Term:** **14 Years**

(21) **Appl. No.:** **29/095,335**

(22) **Filed:** **Oct. 21, 1998**

(51) **LOC (7) Cl.** **09-01**

(52) **U.S. Cl.** **D9/556; D9/569; D9/573**

(58) **Field of Search** **D9/559, 571, 546, D9/556, 551; D24/197; 215/11.1, 382-384**

(56) **References Cited**

U.S. PATENT DOCUMENTS

D. 230,325	*	2/1974	Sofro	D24/197
D. 276,889	*	12/1984	Biasecker	D9/500
2,680,441	*	6/1954	Krammer	215/11.1
2,786,769	*	3/1957	Greenspan	215/11.1
4,925,042	*	5/1990	Chong	215/11.1
4,941,579	*	7/1990	Lee	215/11.1
5,692,630	*	12/1997	Hsu	215/11.1
5,791,503	*	8/1998	Lyons	215/11.1
5,932,262	*	8/1999	Little	215/11.1

OTHER PUBLICATIONS

Aerosol Age, Oct., 1976, p. 45, "printal oy" aerosol container, front and center of page.*

Aerosol Age, p. 33, "Parfum deodorant" container, Mar. 1978.*

* cited by examiner

Primary Examiner—Ted Shooman

Assistant Examiner—Carol Rademaker

(74) *Attorney, Agent, or Firm*—Thorp Reed & Armstrong, LLP

(57) **CLAIM**

The ornamental designs for a flat-sided bottle, as shown and described.

DESCRIPTION

FIG. 1 is a perspective view of a first embodiment of a flat-sided bottle, said first embodiment having a lipped opening.

FIG. 2 is a front elevational view of the flat-sided bottle of FIG. 1. The left, right and rear elevational views of the flat-sided bottle are all identical to the front view.

FIG. 3 is a top plan view of the flat-sided bottle of FIG. 1. FIG. 4 is a bottom plan view of the flat-sided bottle of FIG. 1.

FIG. 5 is a perspective view of a second embodiment of a flat-sided bottle, said second embodiment having a threaded opening.

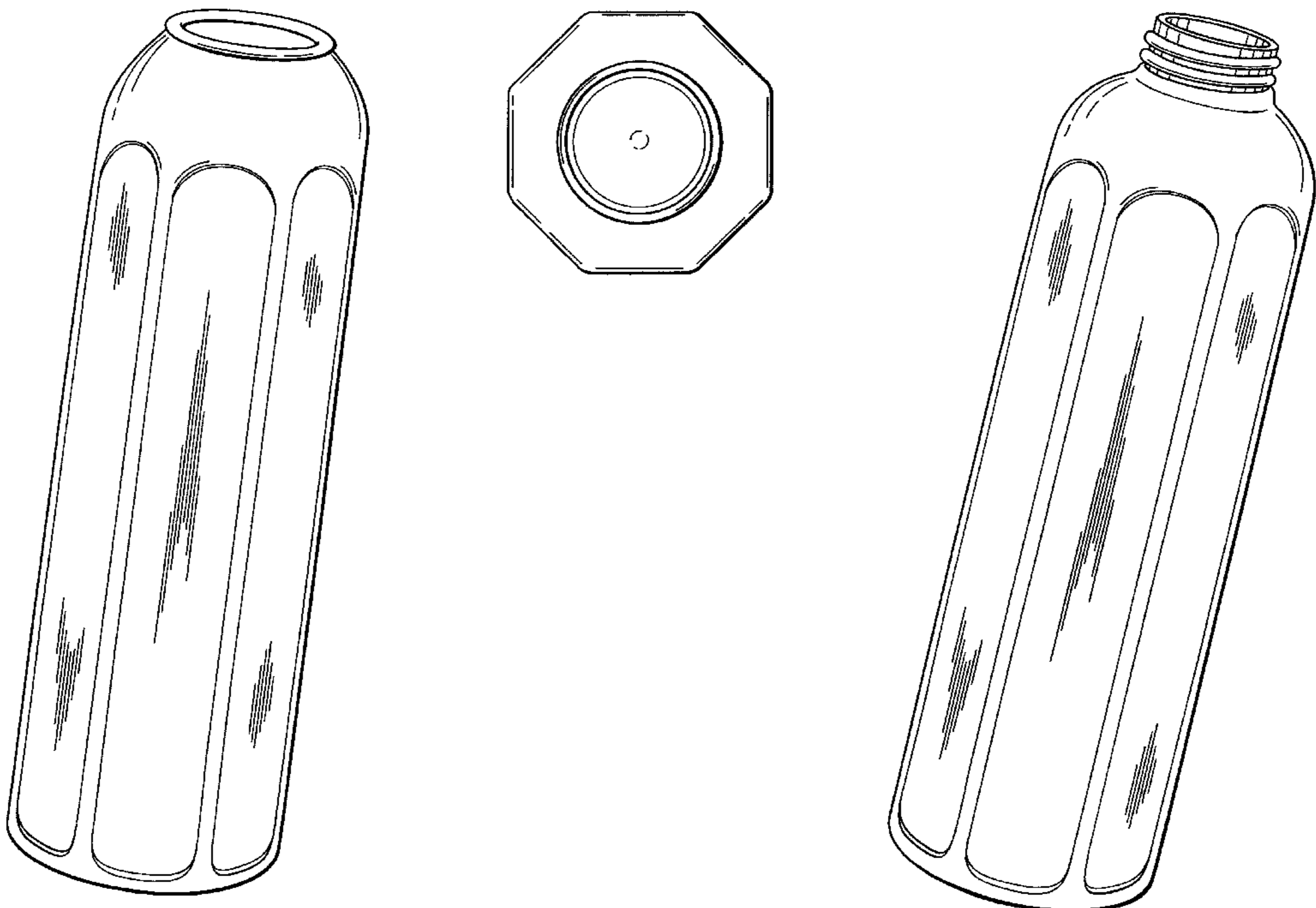
FIG. 6 is a front elevation of FIG. 5, the left, right and rear elevations are the same except for the bottle neck.

FIG. 7 is a top plan view of the flat-sided bottle of FIG. 5; and,

FIG. 8 is a bottom plan view of the flat-sided bottle of FIG. 5.

The portions of the bottle neck of the second embodiment that are not shown in the drawings do not form part of the claimed design.

1 Claim, 5 Drawing Sheets



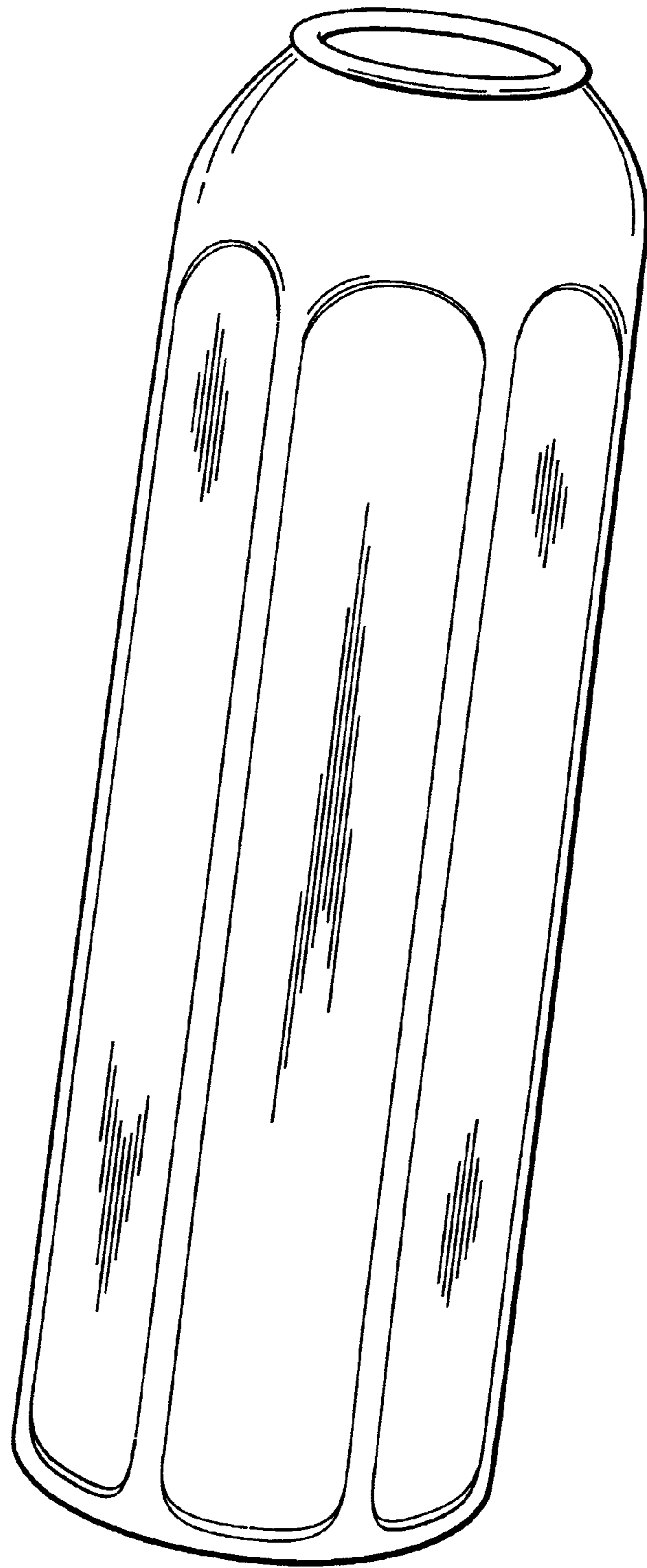


FIG. 1

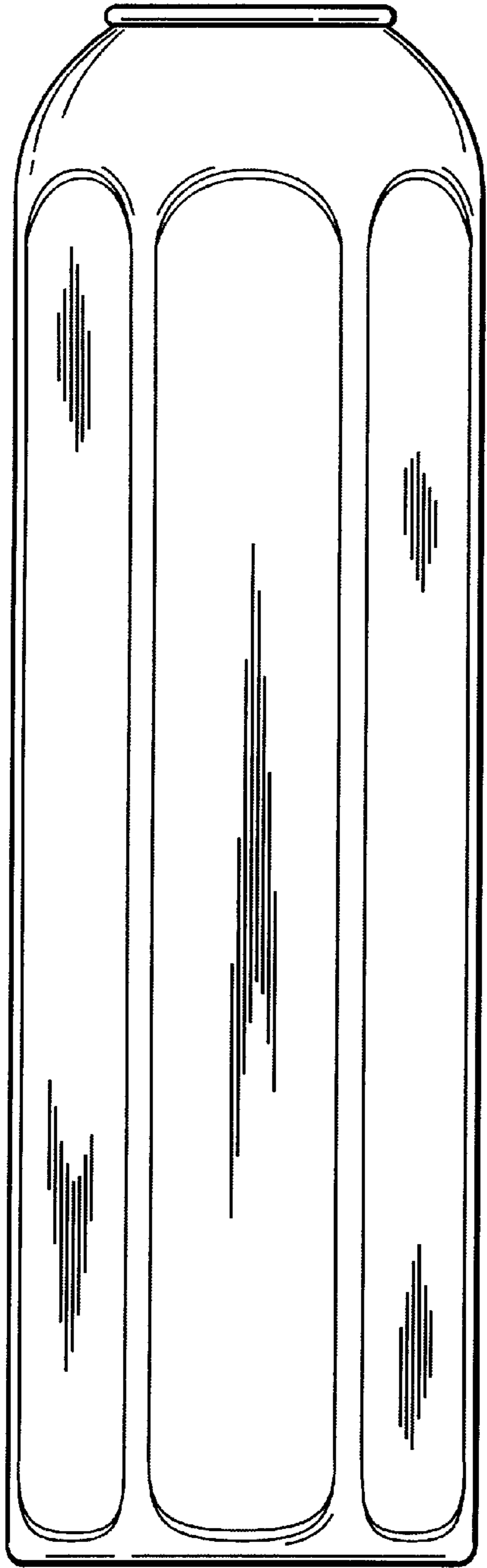


FIG. 2

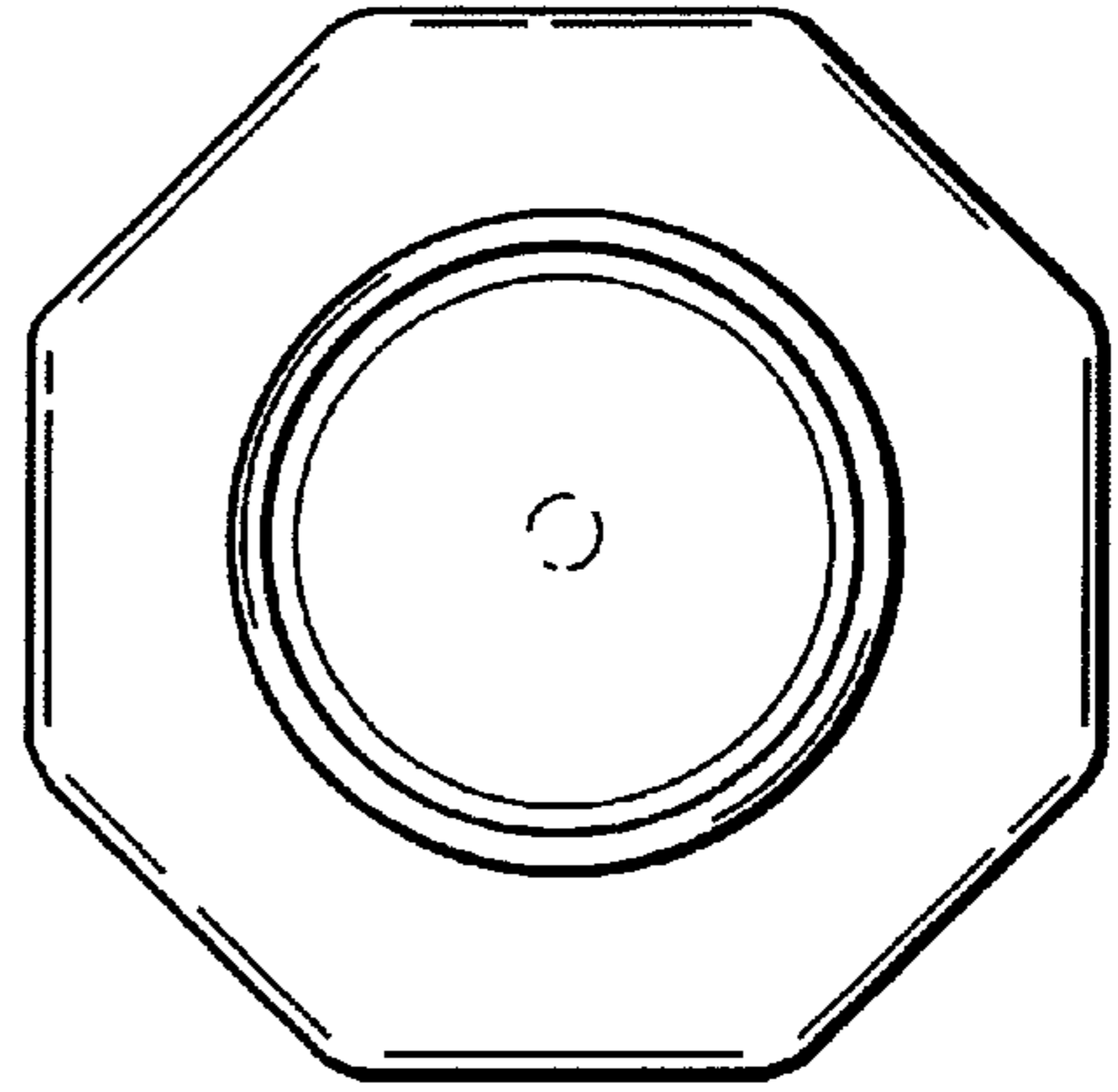


FIG. 3

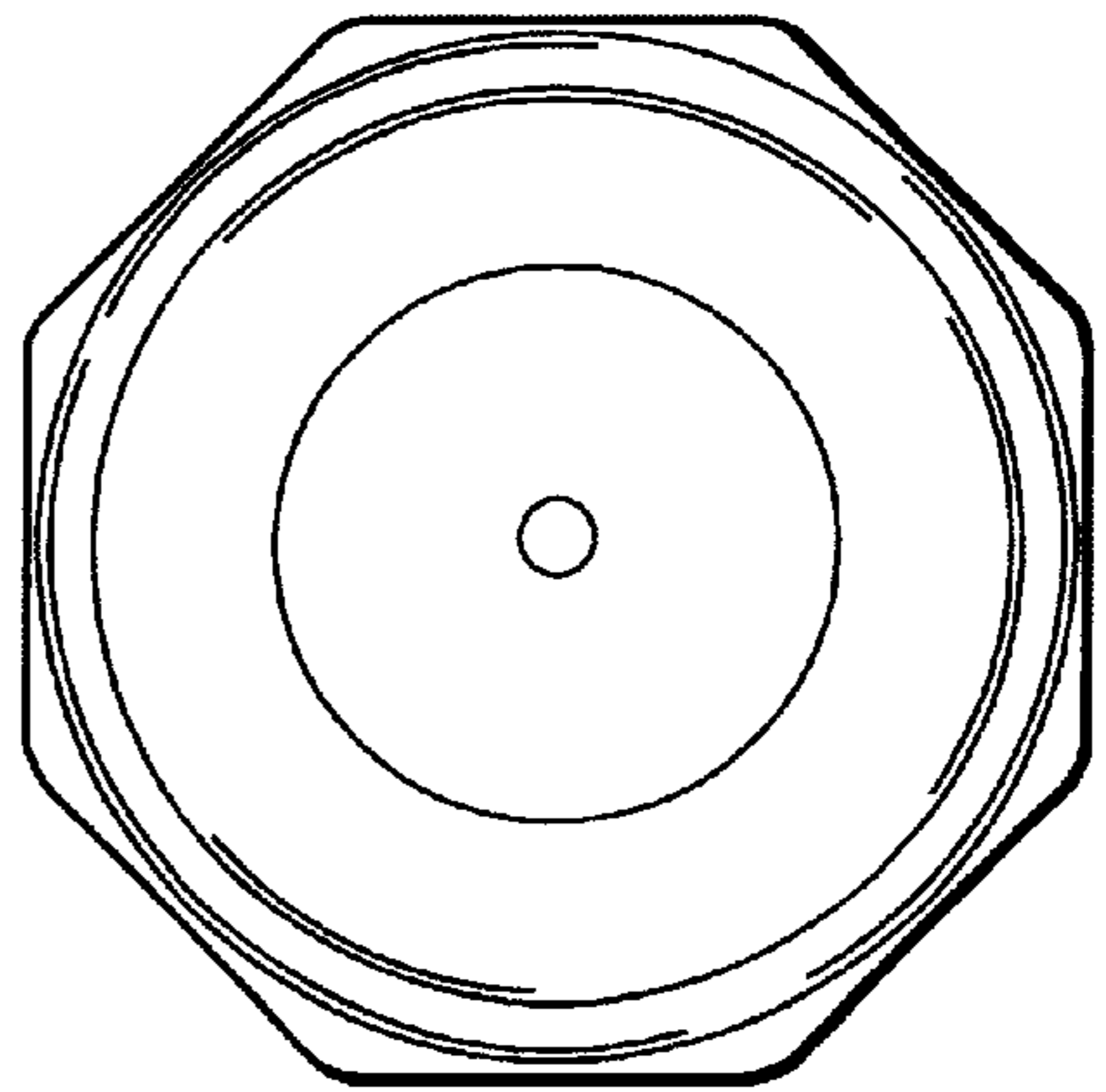


FIG. 4

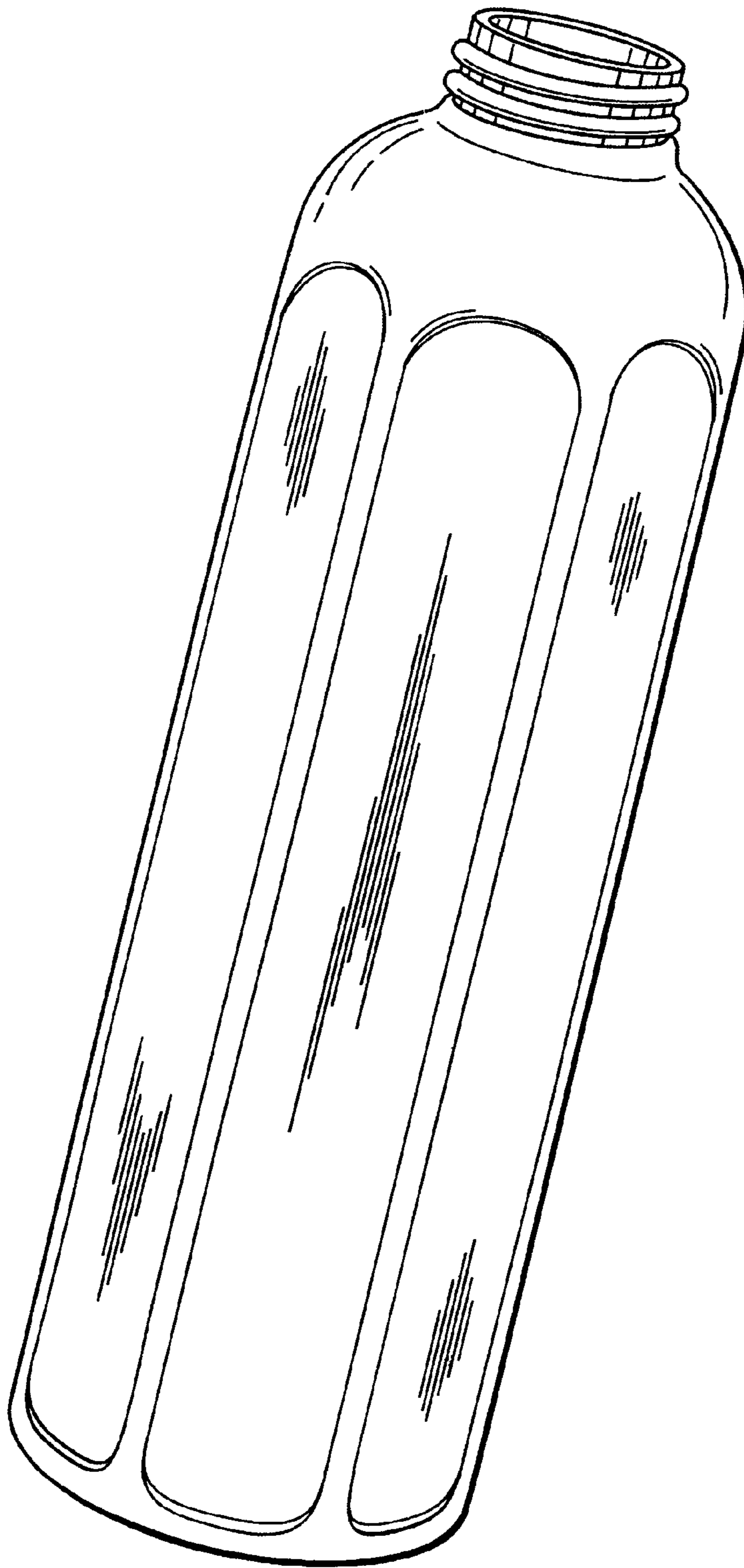


FIG. 5

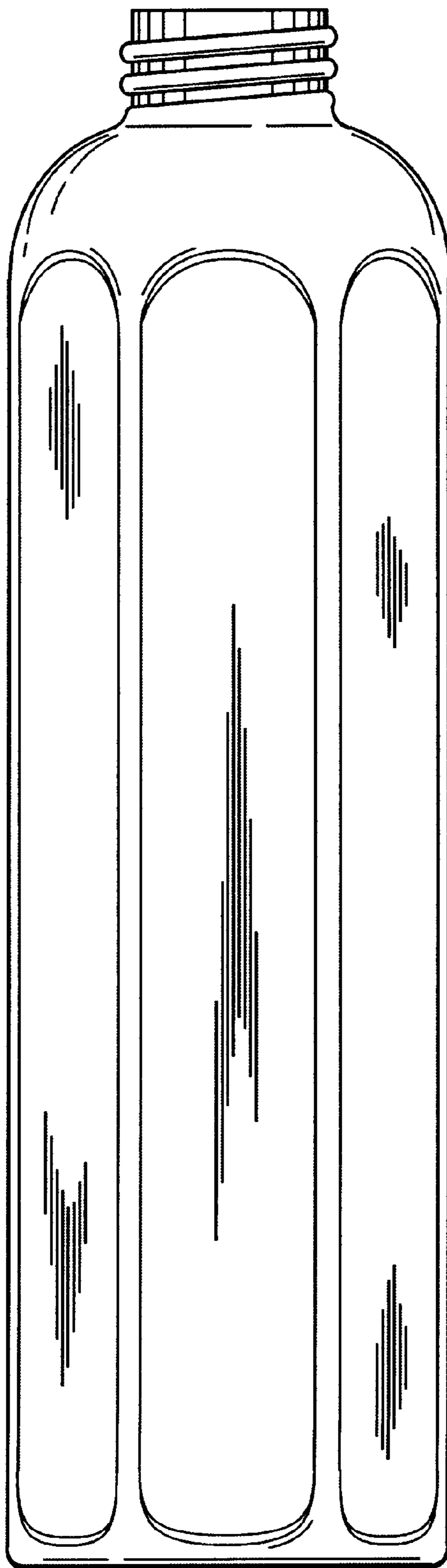


FIG. 6

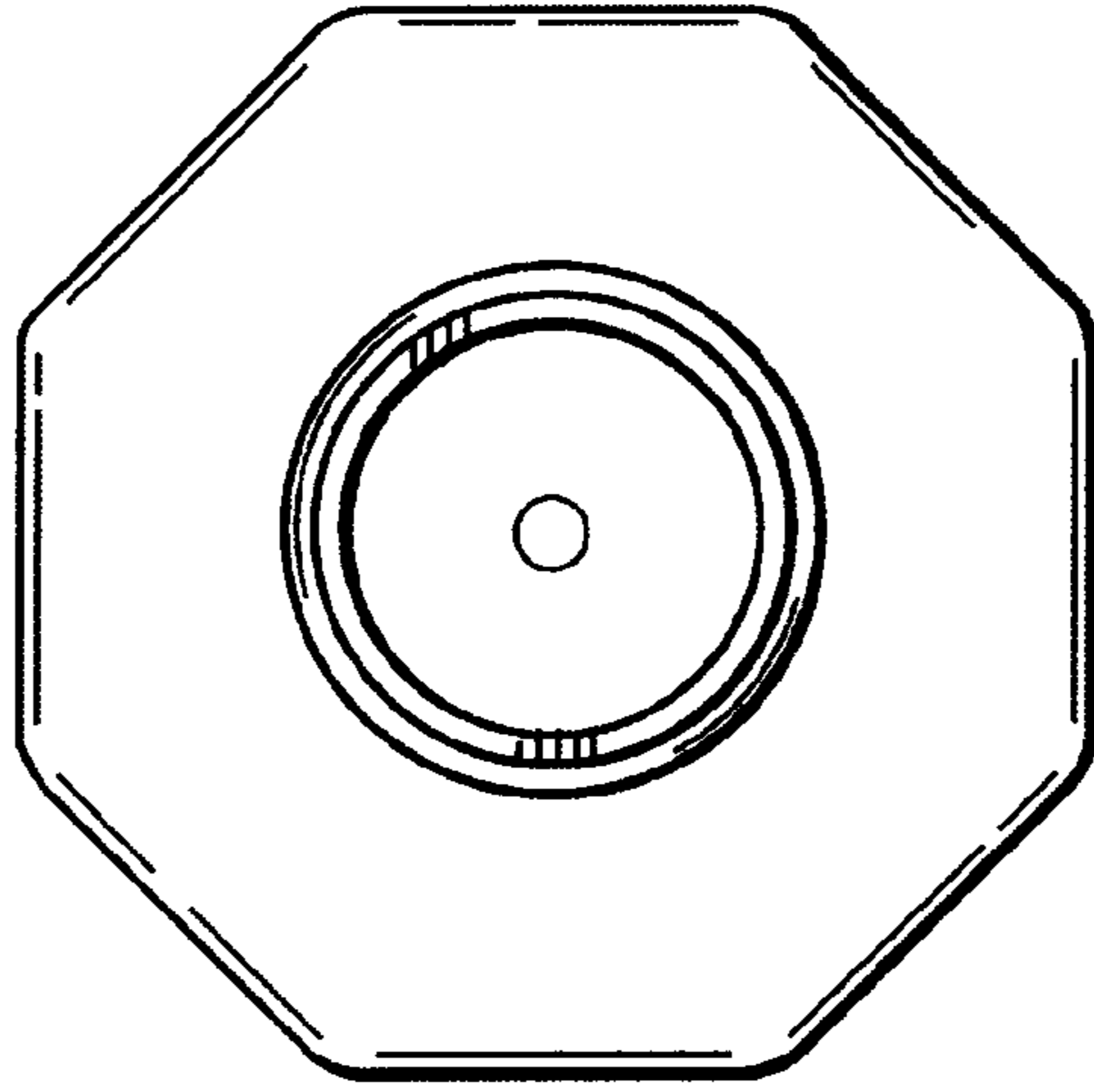


FIG. 7

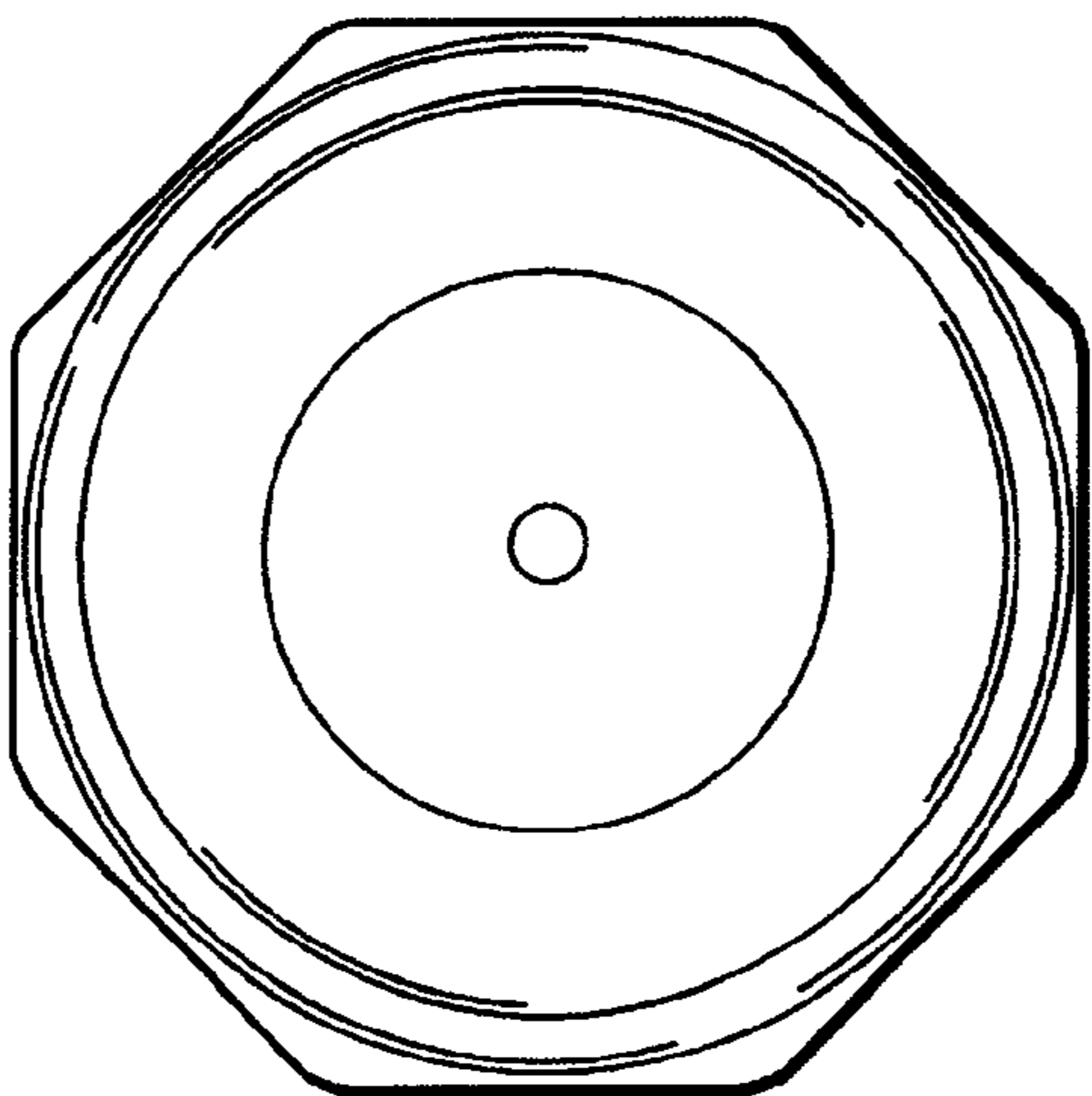


FIG. 8