



US00D437225S

(12) **United States Design Patent**  
**Keung**

(10) **Patent No.:** **US D437,225 S**

(45) **Date of Patent:** **\*\* Feb. 6, 2001**

(54) **NOZZLE CAP FOR PUMP DISPENSER**

4,598,862	7/1986	Rice .
4,669,665	6/1987	Shay .
5,299,717	4/1994	Geier .
5,664,732	9/1997	Smolen, Jr. .

(75) Inventor: **Wing-Kwong Keung**, Perrysburg, OH (US)

(73) Assignee: **Owens-Illinois Closure Inc.**, Toledo, OH (US)

(\*\*) Term: **14 Years**

\* cited by examiner

*Primary Examiner*—Cathron B. Matta

(21) Appl. No.: **29/115,399**

(22) Filed: **Dec. 13, 1999**

(57) **CLAIM**

The ornamental design for a nozzle cap for pump dispenser, as shown and described.

(51) **LOC (7) Cl.** ..... **09-07**

(52) **U.S. Cl.** ..... **D9/448**

(58) **Field of Search** ..... D9/300, 447, 448, D9/449; 222/153.11, 153.12, 153.13, 153.14, 383.1, 383.2, 383.3, 384; 239/333, 538, 539

**DESCRIPTION**

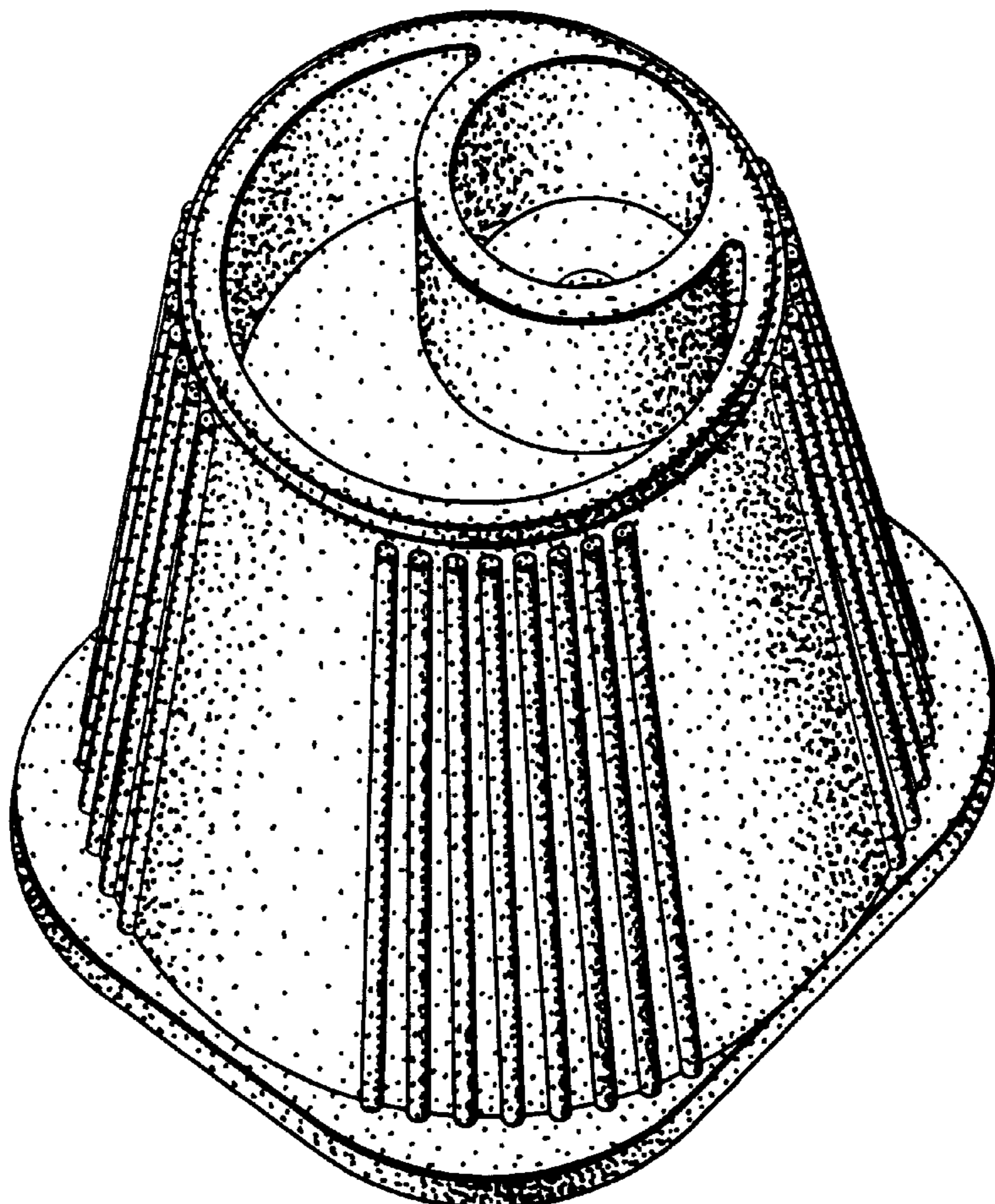
FIG. 1 is a perspective view showing my new design; FIG. 2 is a front elevational view thereof; FIG. 3 is a bottom plan view thereof; FIG. 4 is a left side elevational view thereof; FIG. 5 is a perspective view of a second embodiment of my new design; and, FIG. 6 is a front elevational view thereof. The right side elevational view is a mirror image of the left side elevational view. The bottom and interior of the nozzle cap form no part of the claimed design.

(56) **References Cited**

**U.S. PATENT DOCUMENTS**

D. 418,755	*	1/2000	Durliat	.....	D9/448
3,843,030		10/1974	Micallef .		
4,204,614		5/1980	Reeve .		
4,247,048		1/1981	Hayes .		

**1 Claim, 3 Drawing Sheets**



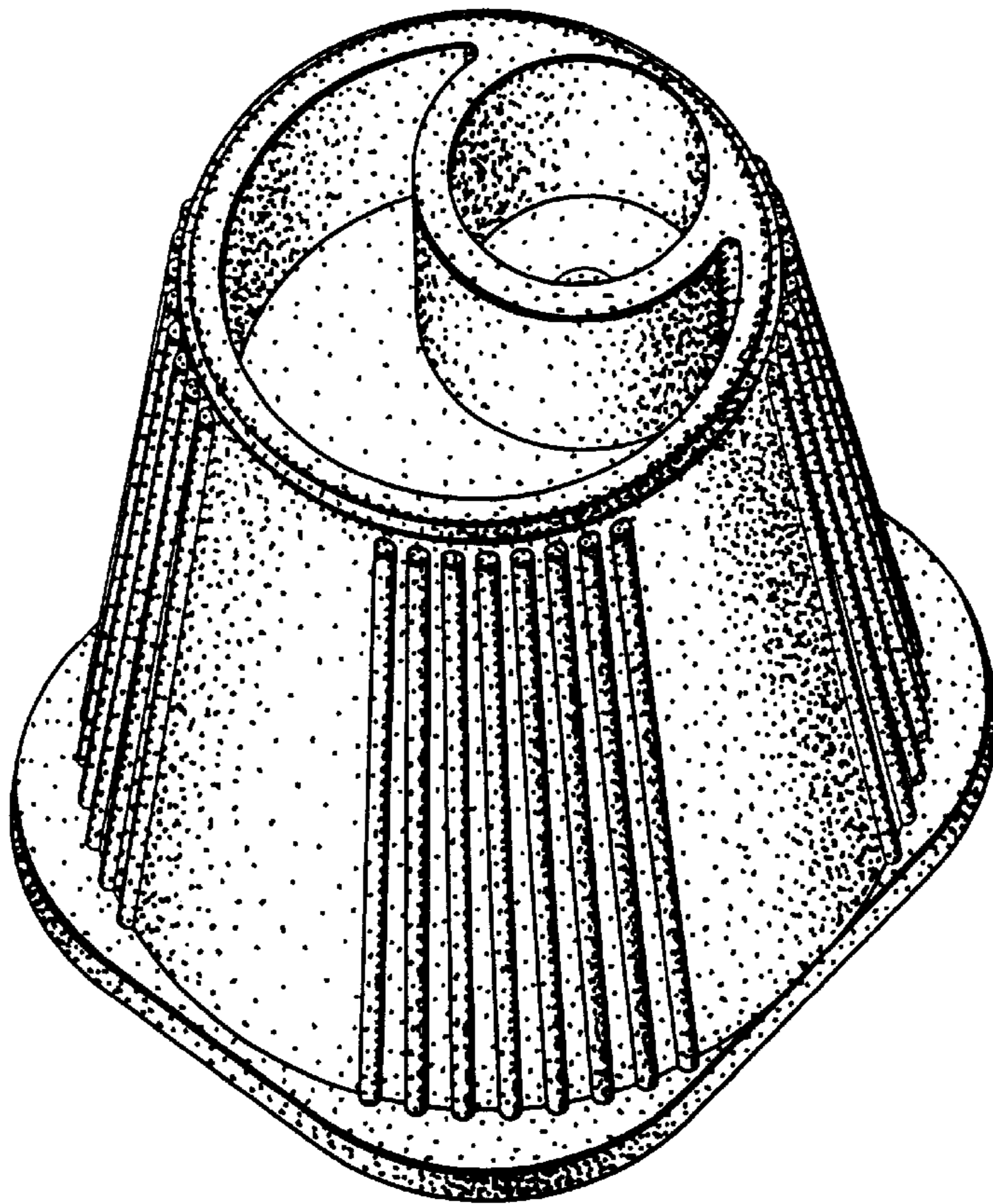


FIG. 1

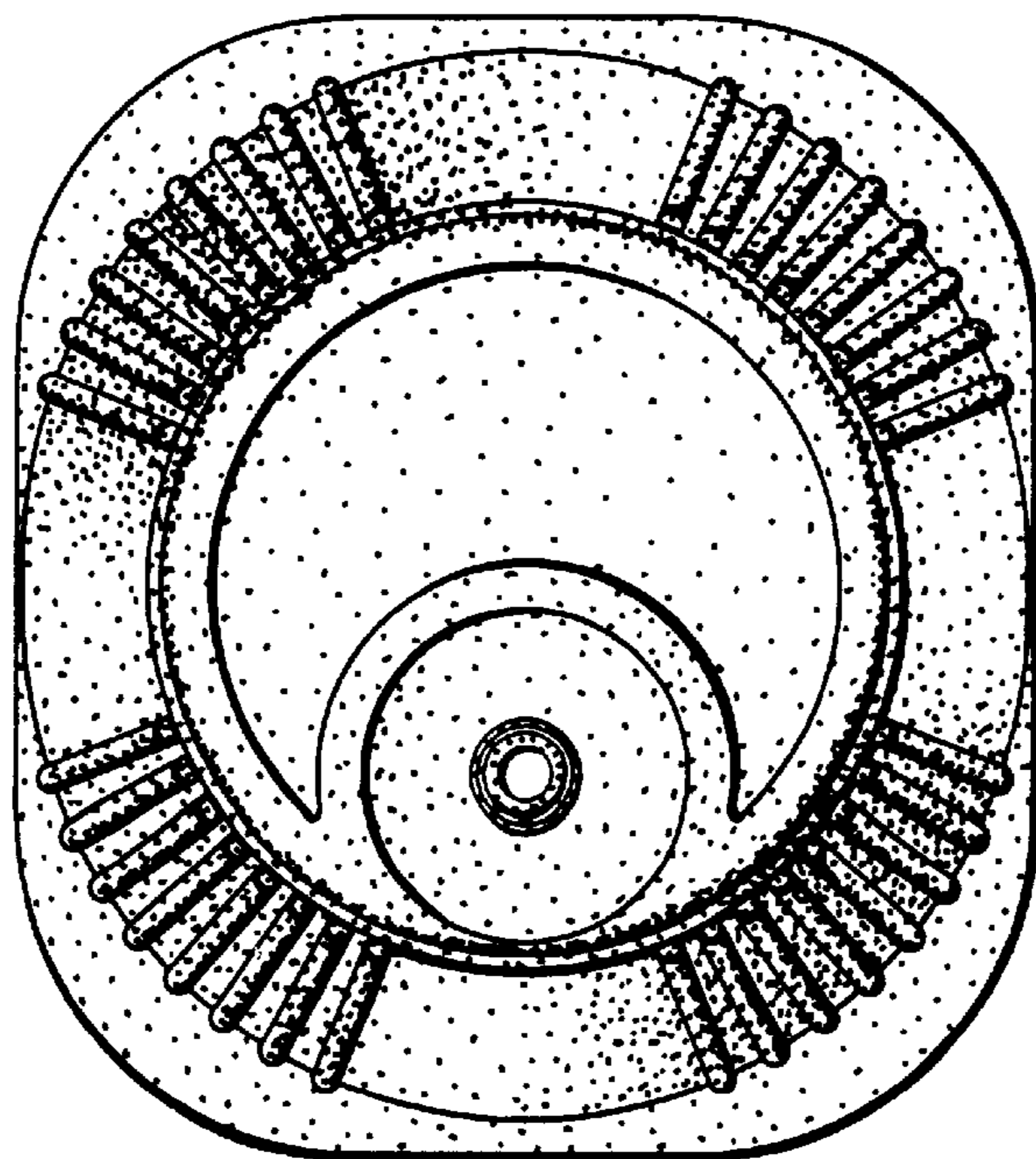


FIG. 2



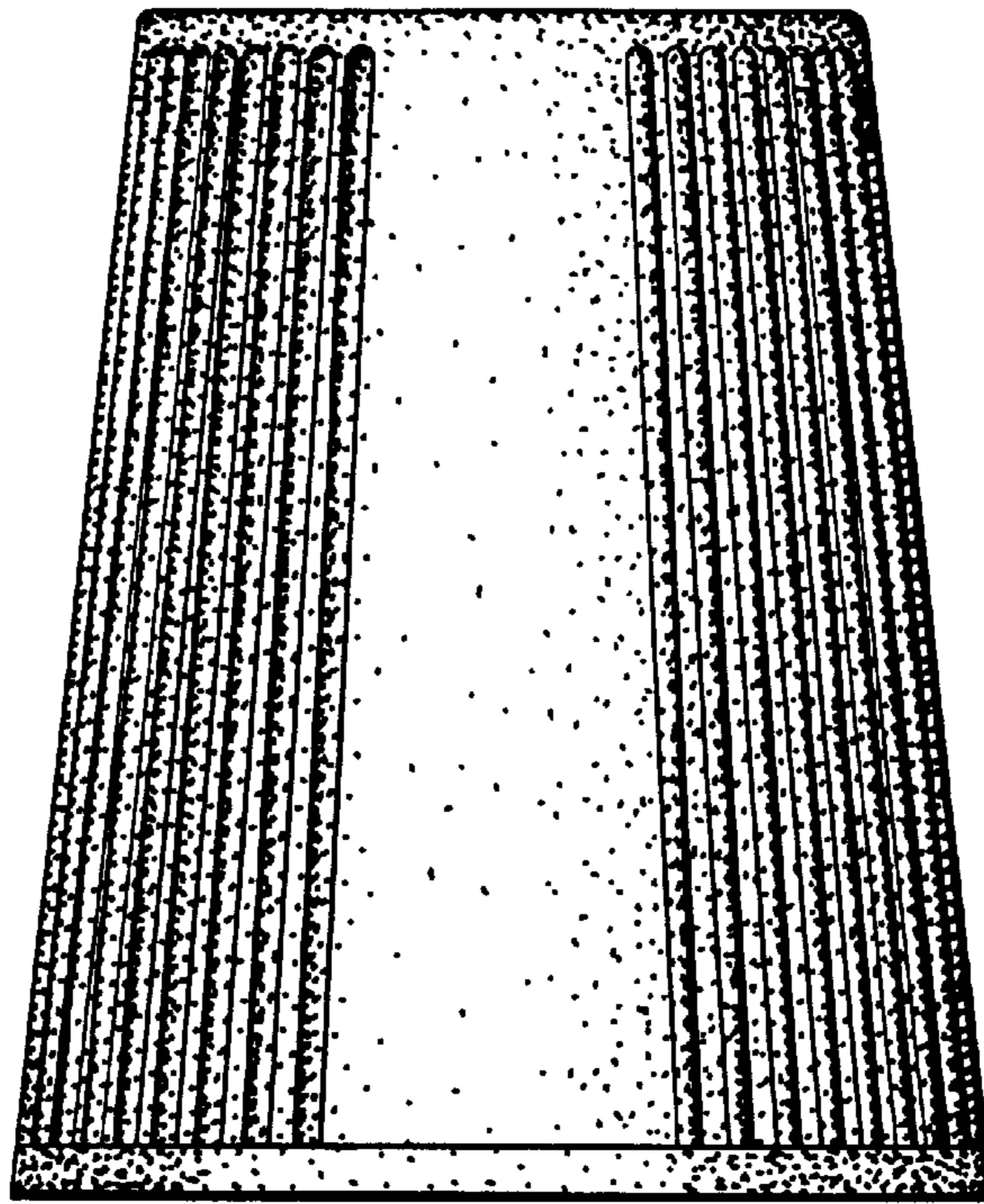


FIG. 3

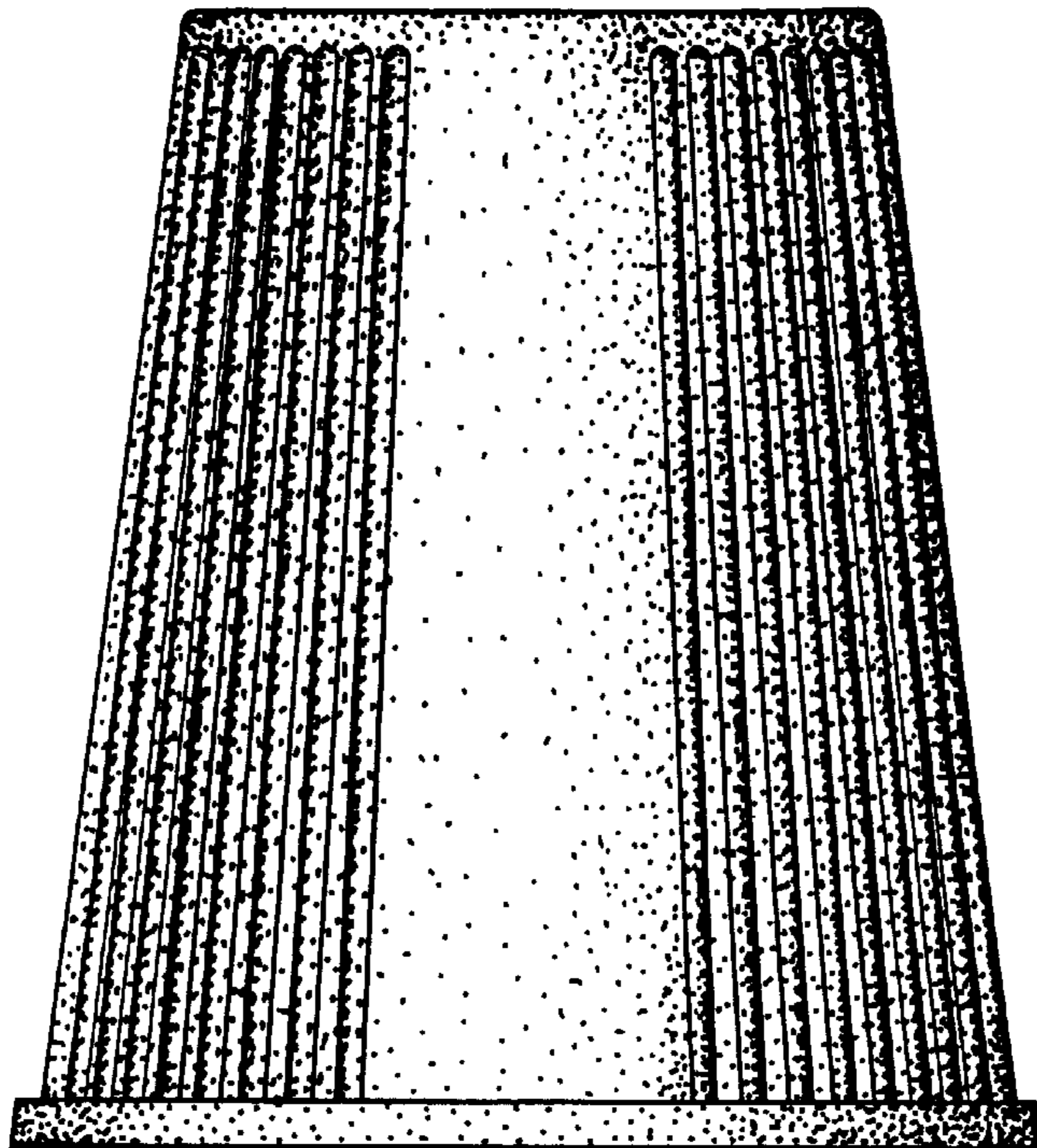


FIG. 4

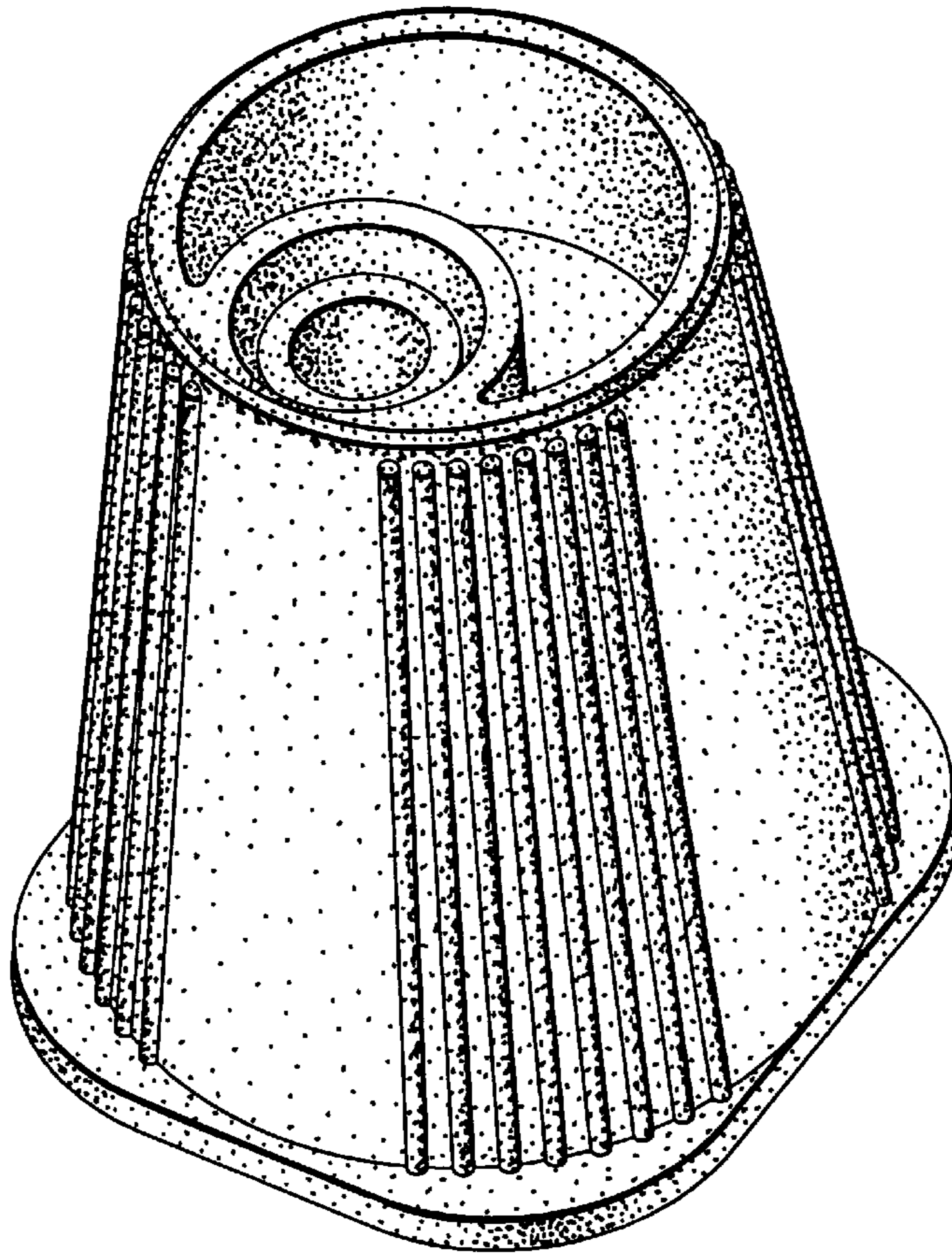


FIG. 5

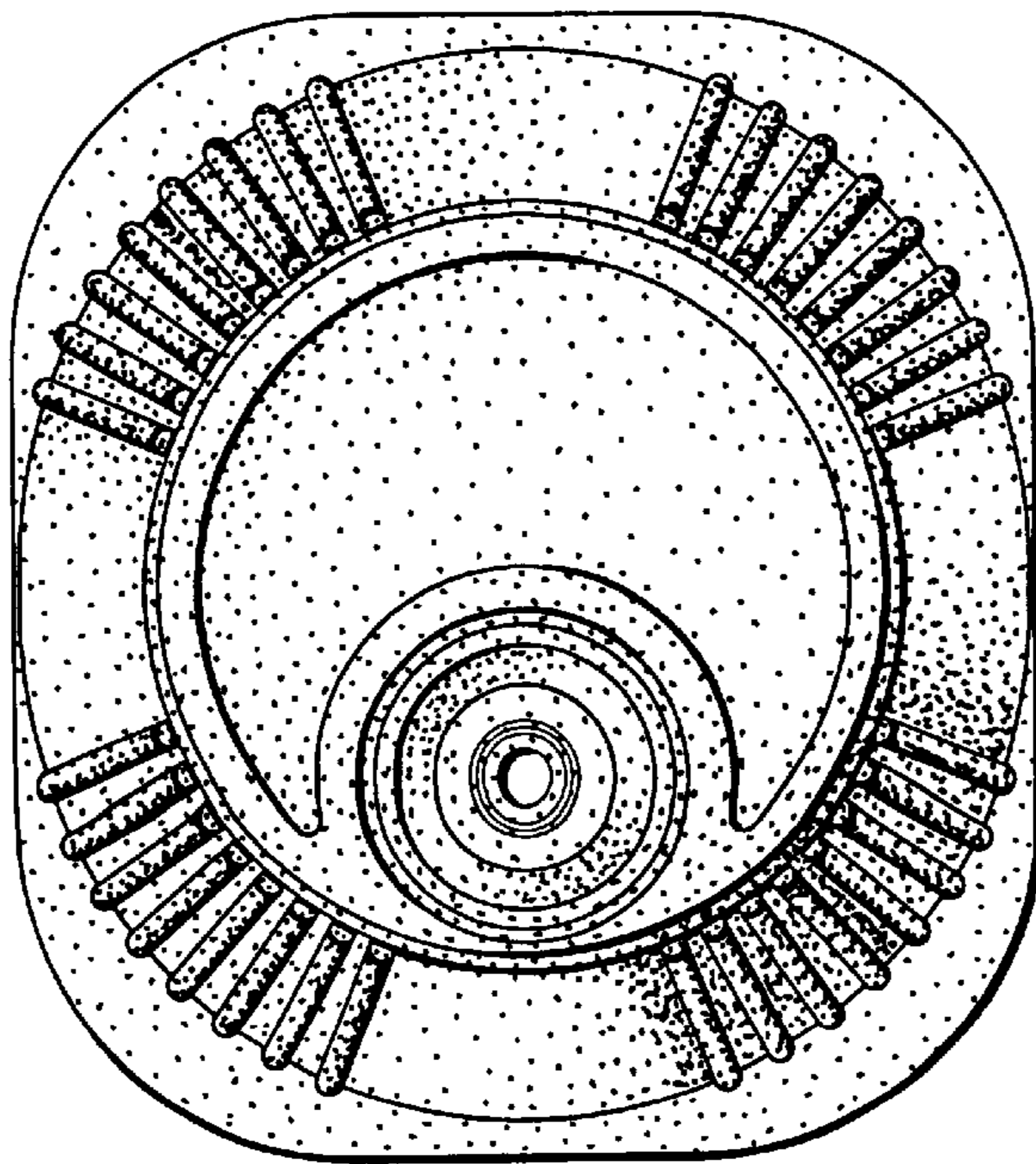


FIG. 6