



US00D437223S

(12) **United States Design Patent**
Coy et al.

(10) **Patent No.:** **US D437,223 S**

(45) **Date of Patent:** **** Feb. 6, 2001**

(54) **CONTAINER LID**

(75) Inventors: **Peter Coy**, Bryn Athyn, PA (US);
Thomas C Moseley, Jr., Boston;
Michel D. Arney, Wellesley, both of
MA (US); **Jeremy C. Howard**, Little
Compton, RI (US)

(73) Assignee: **VaLid, LLC**, Franklin, MA (US)

(**) Term: **14 Years**

(21) Appl. No.: **29/111,684**

(22) Filed: **Sep. 30, 1999**

(51) **LOC (7) Cl.** **09-07**

(52) **U.S. Cl.** **D9/447**

(58) **Field of Search** D9/435, 440, 447,
D9/449, 454; D7/510, 511, 392, 392.1;
220/711, 713, 714

(56) **References Cited**

U.S. PATENT DOCUMENTS

D. 143,289 4/1945 Elsas et al. D58/26
D. 165,778 1/1952 Olsen D36/8

(List continued on next page.)

Primary Examiner—Cathron Brooks

(74) *Attorney, Agent, or Firm*—Volpe and Koenig, P.C.

(57) **CLAIM**

The ornamental design for container lid, as shown and described.

DESCRIPTION

FIG. 1 is an isometric view of a first embodiment of the present invention.

FIG. 2 is a front elevation view of the container lid of FIG. 1.

FIG. 3 is a top plan view of the container lid of FIG. 1.

FIG. 4 is a side elevation view of the container lid of FIG. 1.

FIG. 5 is a bottom plan view of the container lid of FIG. 1.

FIG. 6 is a rear elevation view of the container lid of FIG. 1.

FIG. 7 is an isometric view of a second embodiment of the present invention.

FIG. 8 is a front elevation view of the container lid of FIG. 25.

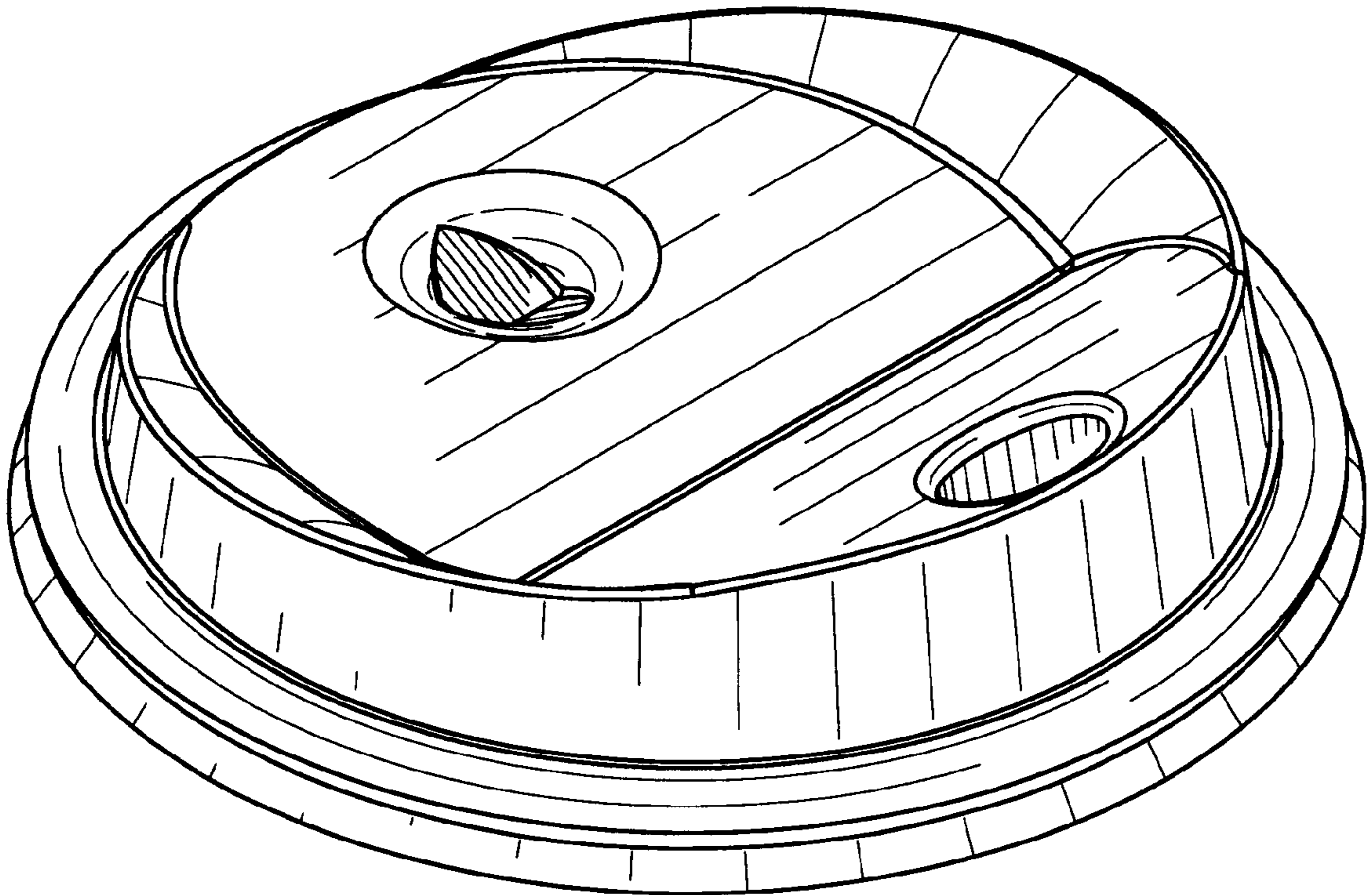
FIG. 9 is a top plan view of the container lid of FIG. 25.

FIG. 10 is a side elevation view of the container lid of FIG. 25.

FIG. 11 is a bottom plan view of the container lid of FIG. 25; and,

FIG. 12 is a rear elevation view of the container lid of FIG. 25.

1 Claim, 4 Drawing Sheets



US D437,223 S

U.S. PATENT DOCUMENTS					
			4,589,569	5/1986	Clements 220/380
			4,596,341	6/1986	Bruffey 220/90.4
D. 179,333	11/1956	Tupper D58/26	4,643,334	2/1987	Steele 221/63
D. 287,919	* 1/1987	Clements D7/392.1	4,714,173	12/1987	Ruiz 220/90.4
D. 304,424	* 11/1989	Dawson D9/453	4,756,440	7/1988	Gartner 220/90.4
D. 316,517	4/1991	Coy D9/447	4,828,141	5/1989	Coy 220/380
D. 322,222	12/1991	Coy D9/447	4,836,404	6/1989	Coy 220/90.4
D. 402,556	* 12/1998	Frye D9/447	4,915,250	4/1990	Hayes, Jr. 220/90.4
D. 417,845	* 12/1999	Sadlier et al. D9/447	4,946,062	8/1990	Coy 220/90.4
2,040,545	5/1936	Byers 215/74	5,065,880	11/1991	Horner 220/711
2,611,515	9/1952	Smith 222/213	5,090,584	2/1992	Roberts et al. 220/712
2,622,420	12/1952	Rice 65/13	5,183,172	2/1993	Boller 220/270
2,816,548	12/1957	Tupper 128/252	5,193,722	3/1993	Groya et al. 221/531
3,104,787	9/1963	Thompson, Jr. 222/490	5,253,781	10/1993	Van Melle et al. 220/713
3,610,477	10/1971	Herzig 222/213	5,301,830	4/1994	Müller 220/669
3,739,938	6/1973	Paz 220/90.4	5,335,812	8/1994	Boller 220/709
4,121,731	10/1978	Okerstrum 220/90.4	5,392,949	2/1995	McKenna 220/712
4,133,457	1/1979	Klassen 222/212	5,397,023	3/1995	Toczek et al. 220/709
4,184,604	1/1980	Amberg et al. 220/254	5,398,843	3/1995	Warden et al. 220/711
4,239,123	12/1980	Lang et al. 220/90.6	5,409,132	4/1995	Phillips et al. 220/717
4,243,156	1/1981	Lobbestael 222/541	5,490,609	2/1996	Lane et al. 220/712
4,245,752	1/1981	Prueher 220/266	5,613,619	3/1997	Van Melle 220/712
4,345,695	8/1982	Galloway et al. 220/254	5,624,053	4/1997	Freek et al. 220/713
4,350,260	9/1982	Prueher 220/254	5,657,898	8/1997	Portman et al. 220/712
4,415,097	11/1983	Meins 220/90.4	5,699,927	12/1997	Lane et al. 220/254
4,428,498	1/1984	Obey 220/367	5,839,601	11/1998	Van Melle 220/712
4,441,624	* 4/1984	Sokolowski 220/714			
4,550,851	11/1985	Garrett et al. 220/277			

* cited by examiner

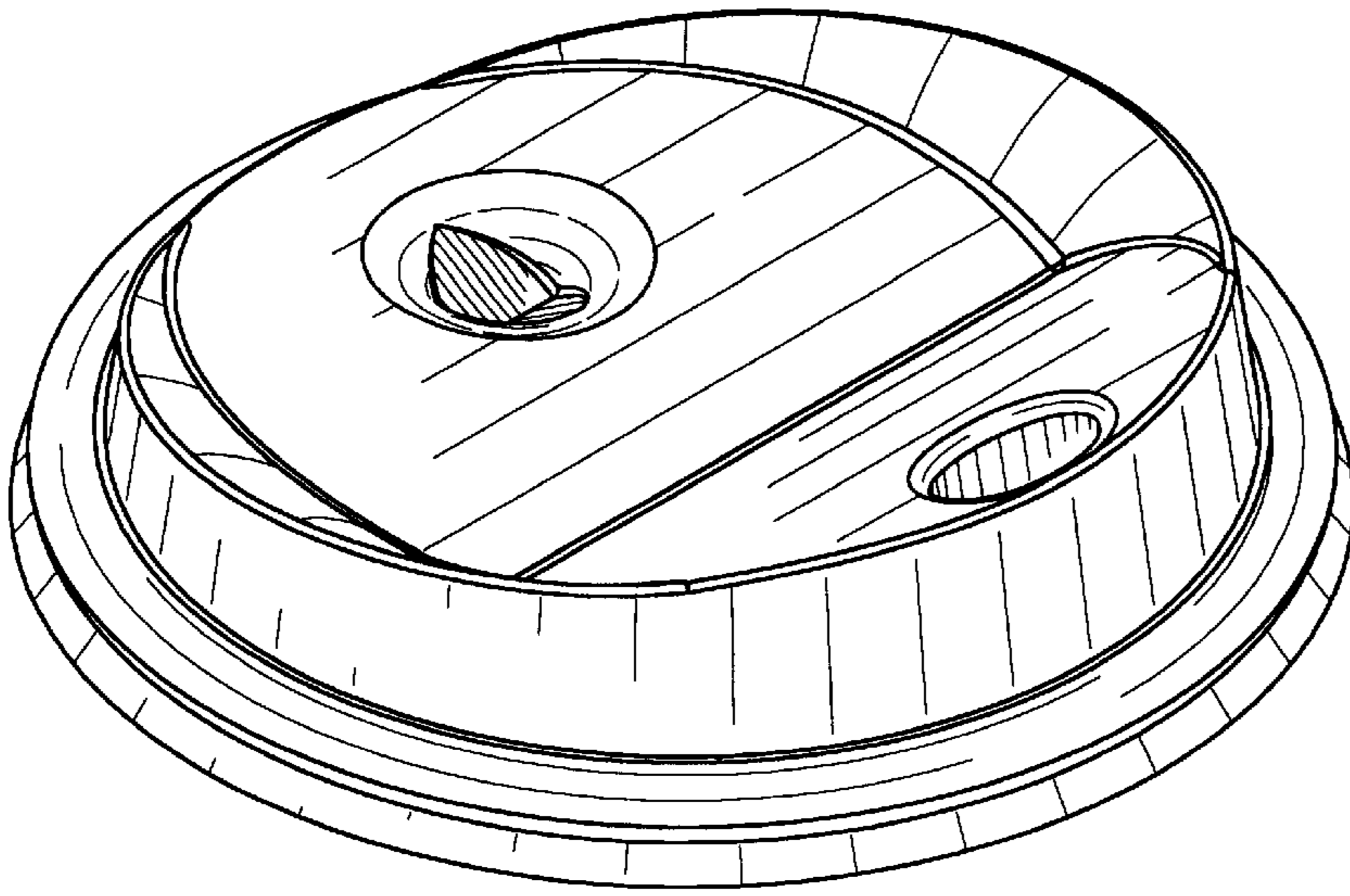


FIG. 1

FIG. 2

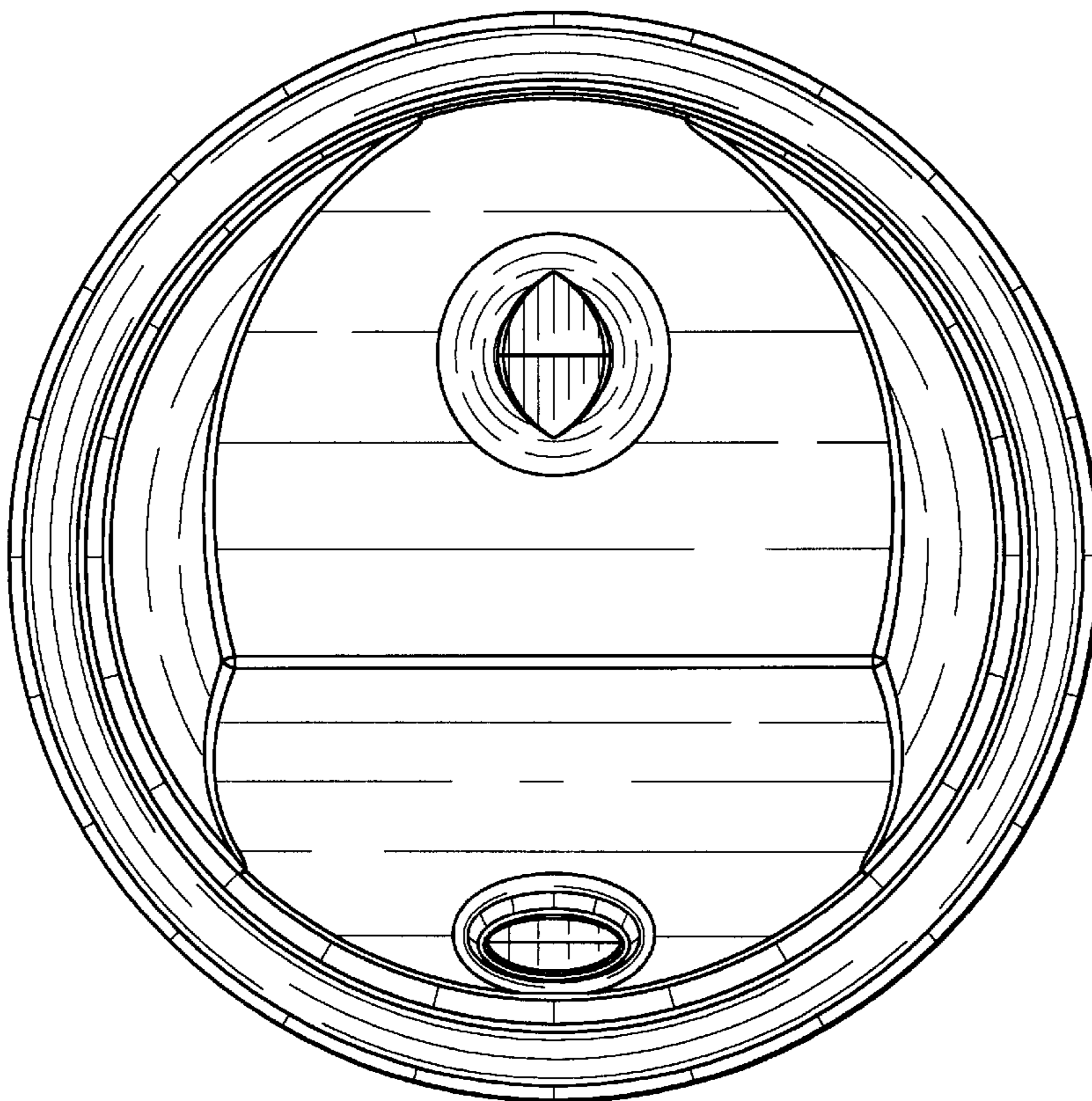
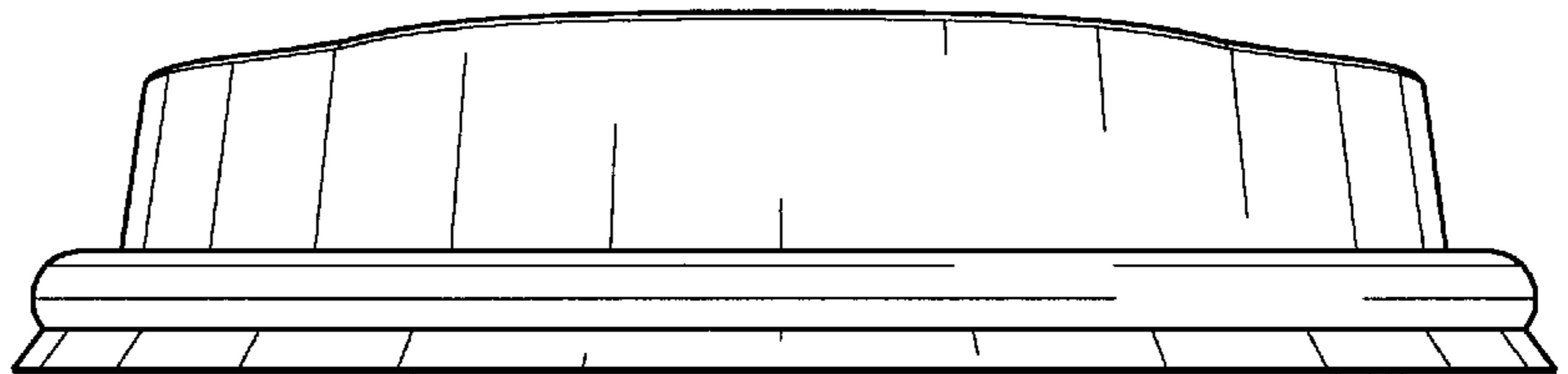


FIG. 3

FIG. 4

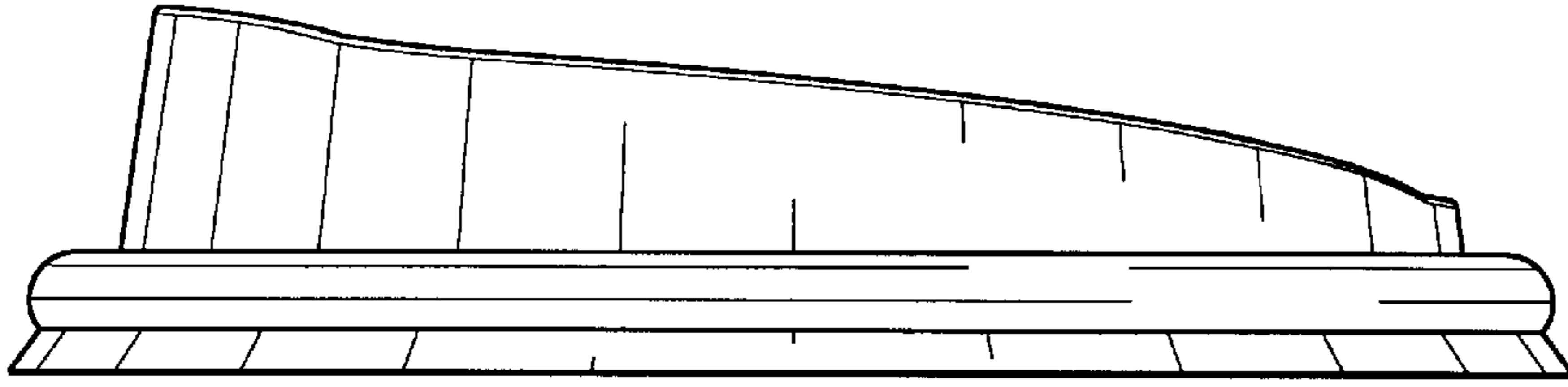


FIG. 5

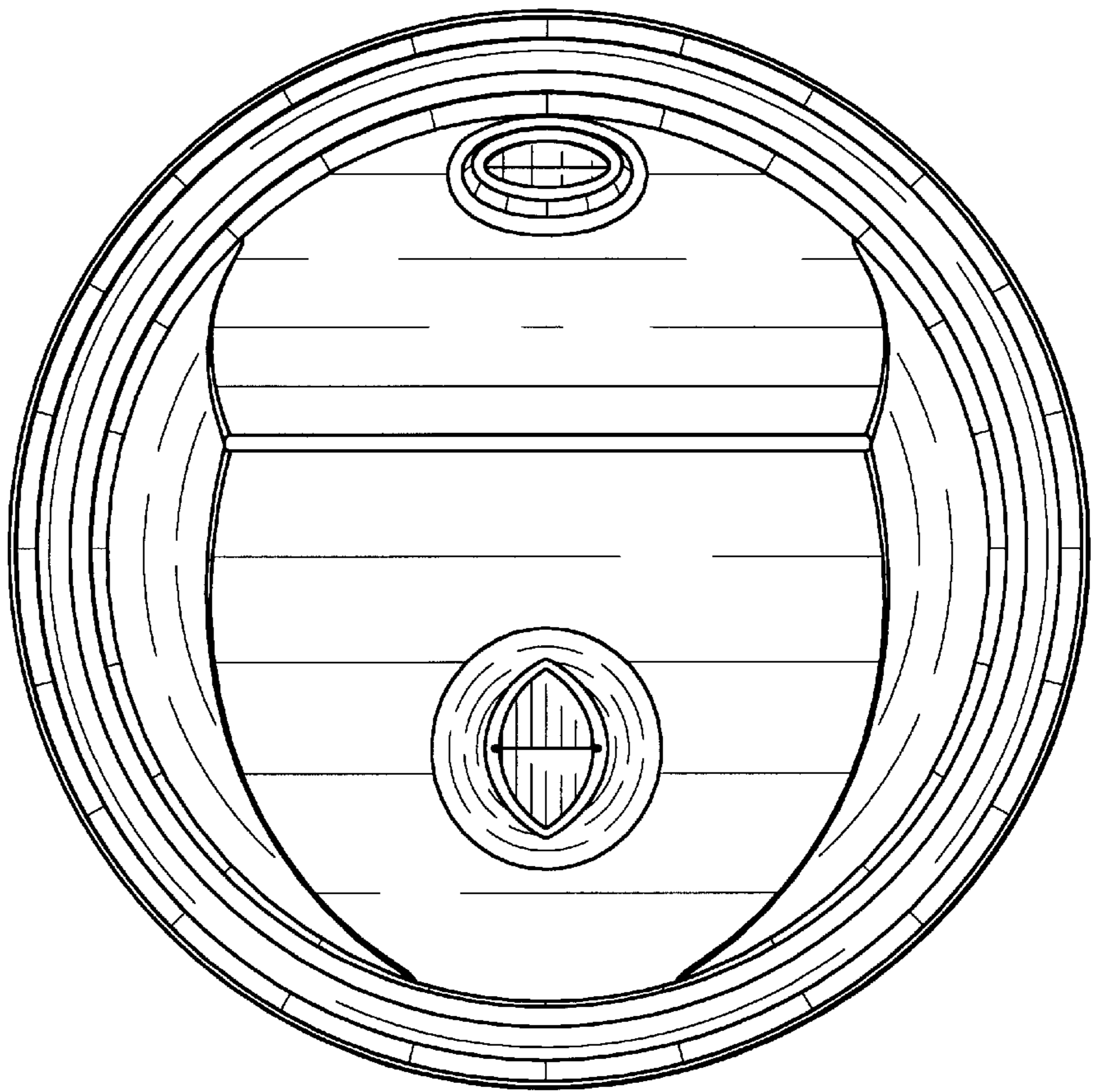
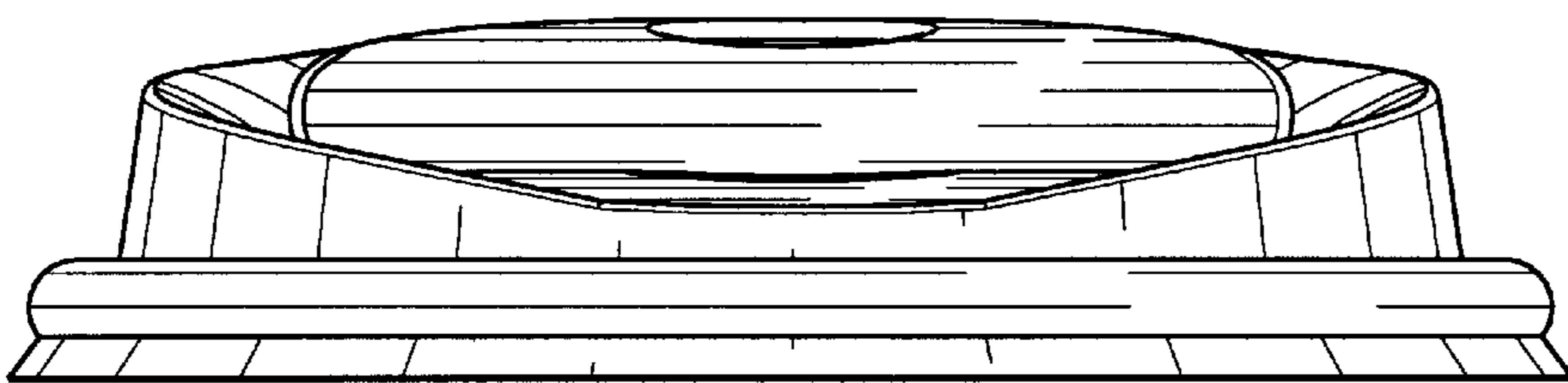


FIG. 6



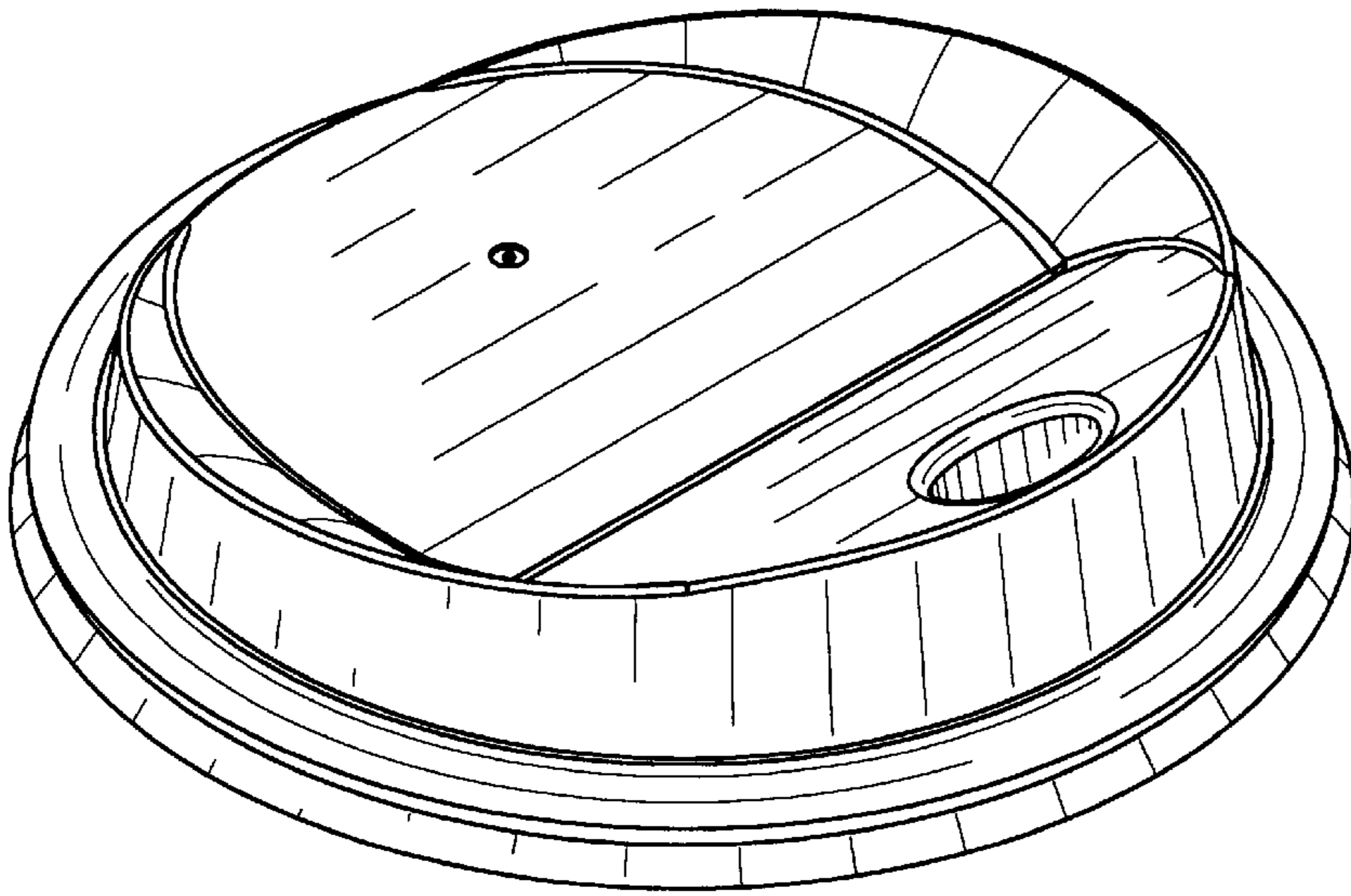


FIG. 7

FIG. 8

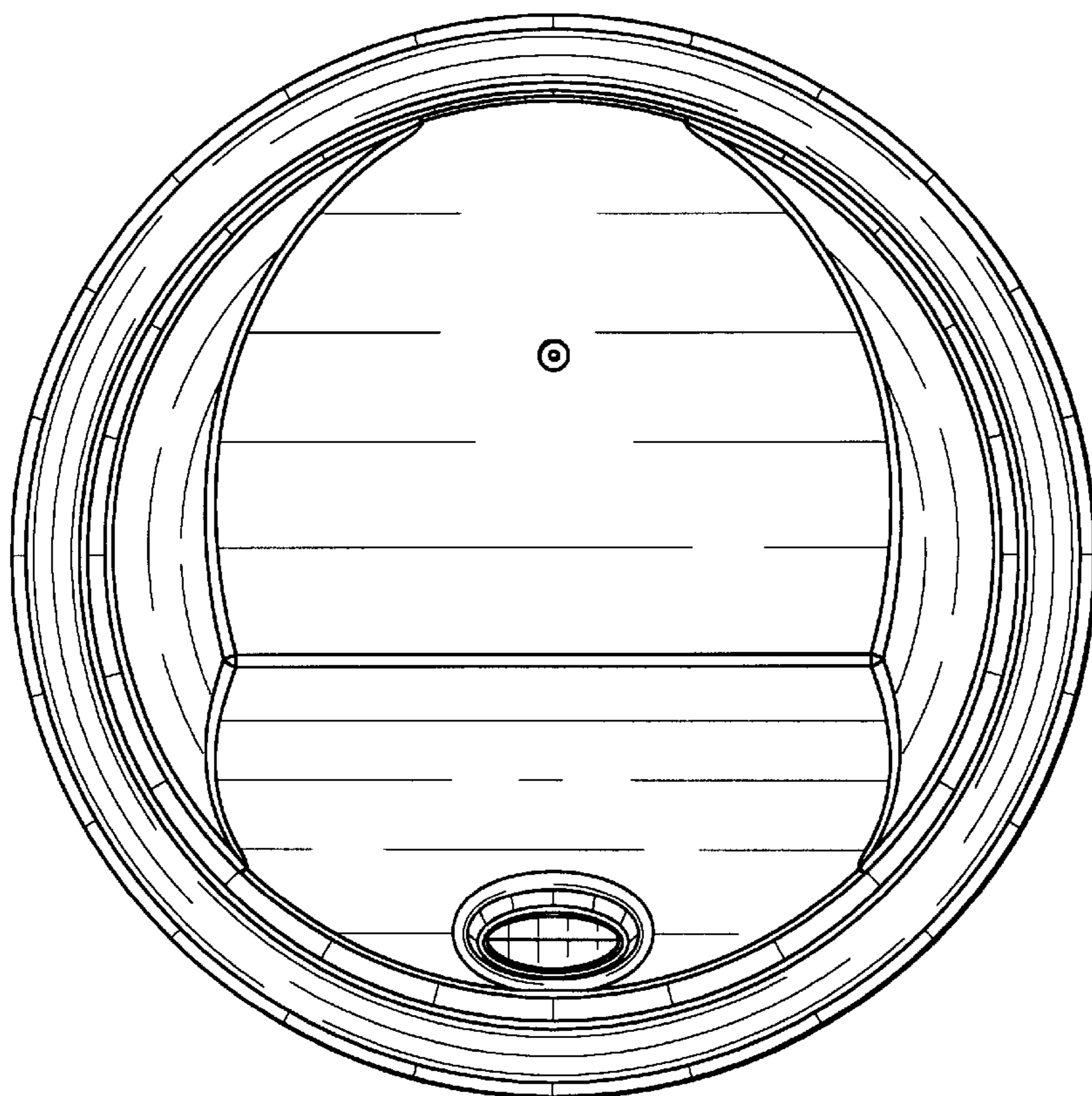
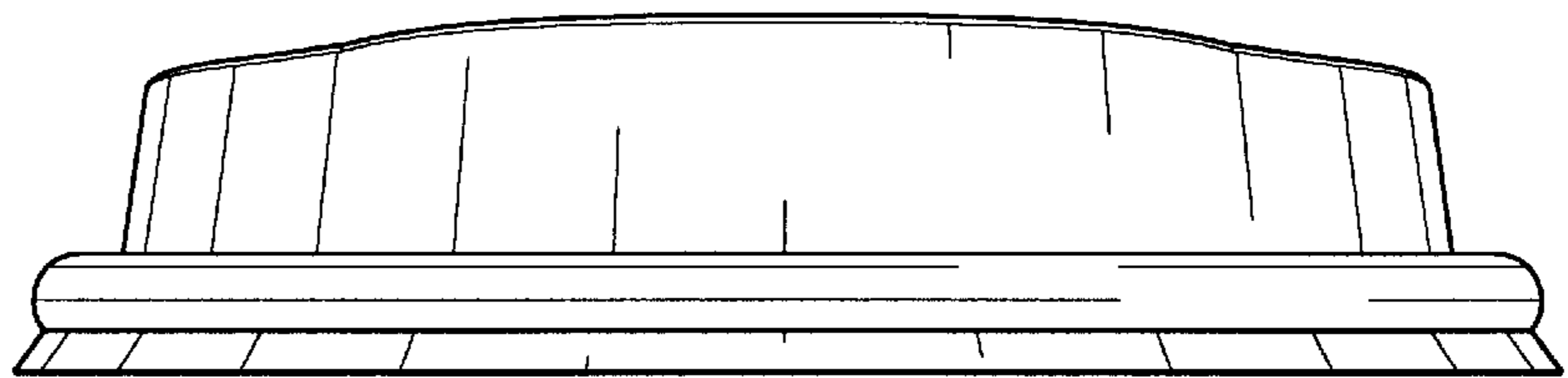


FIG. 9

FIG. 10

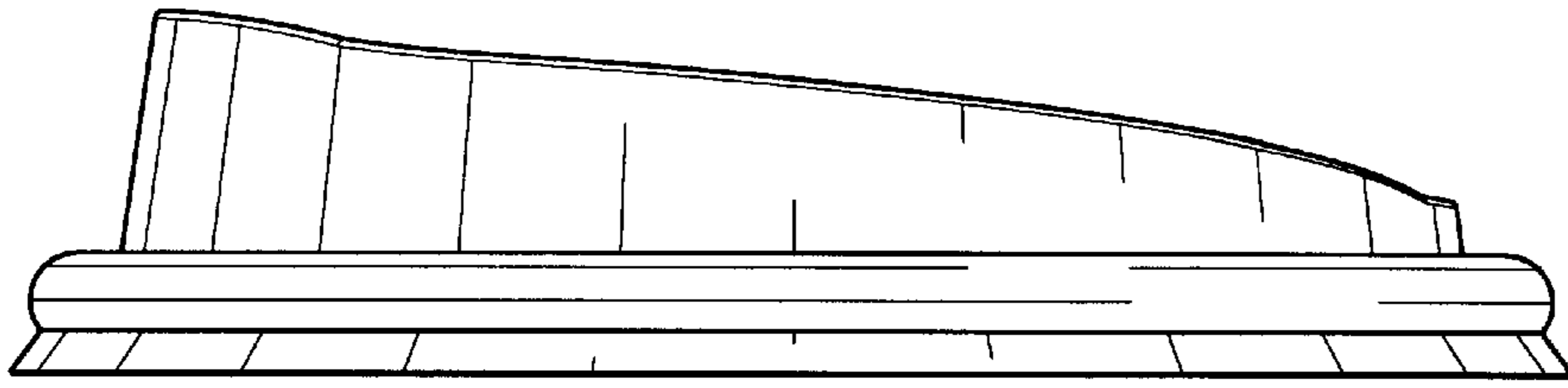


FIG. 11

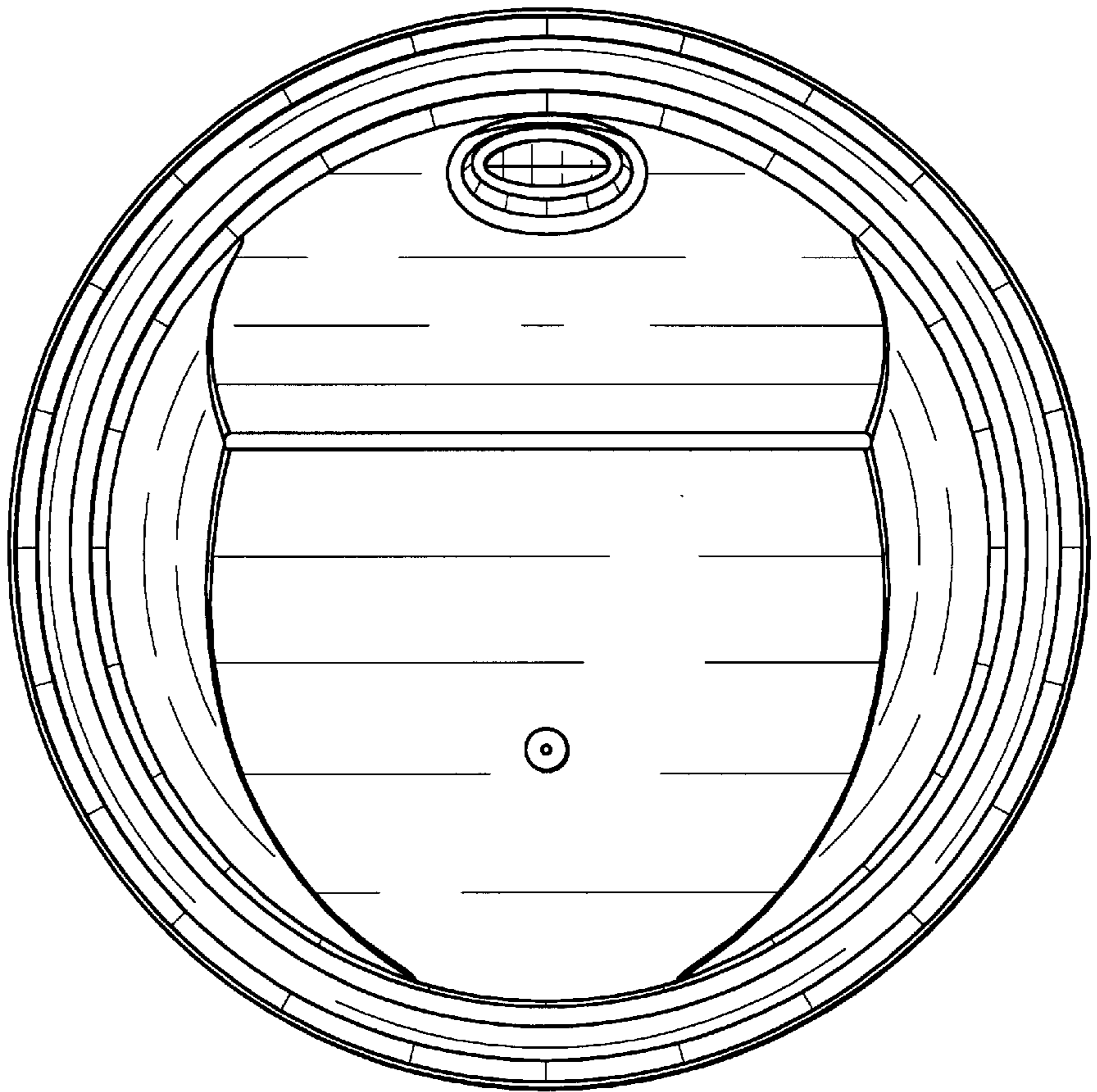


FIG. 12

