



US00D437222S

(12) **United States Design Patent**
Goldberg

(10) **Patent No.:** **US D437,222 S**

(45) **Date of Patent:** **** Feb. 6, 2001**

(54) **PACKAGING BOX**

(75) Inventor: **Jacqueline S. Goldberg**, The Hague (NL)

(73) Assignee: **AVA Advertising**, The Hague (NL)

(**) Term: **14 Years**

(21) Appl. No.: **29/109,475**

(22) Filed: **Aug. 16, 1999**

(51) **LOC (7) Cl.** **09-03**

(52) **U.S. Cl.** **D9/432; D9/433**

(58) **Field of Search** D9/414, 415, 416,
D9/418, 430-433, 346; 229/117, 117.01,
117.16, 915

(56) **References Cited**

U.S. PATENT DOCUMENTS

- D. 329,199 * 9/1992 Corso D9/432
- 3,412,920 * 11/1968 Desforges 229/915
- 4,406,380 * 9/1983 Paige 229/117

- 4,477,015 * 10/1984 Lozaun 229/117.16
- 5,275,331 * 1/1994 Chung-Piao 229/117
- 5,927,593 * 7/1999 Berkowitz et al. 229/117

* cited by examiner

Primary Examiner—James Gandy
Assistant Examiner—Carol Rademaker
(74) *Attorney, Agent, or Firm*—Hayes, Soloway,
Hennessey, Grossman & Hage, PC.

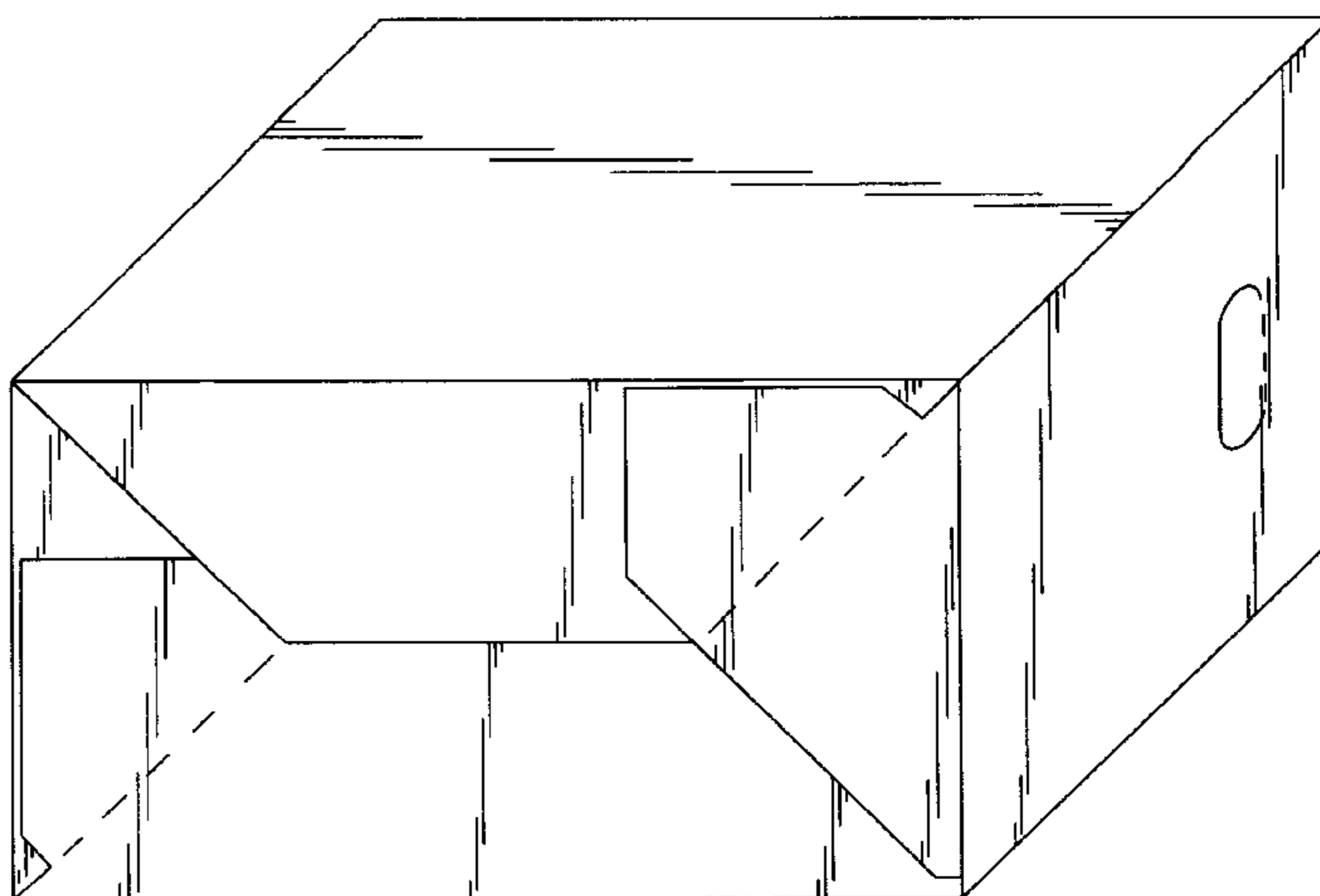
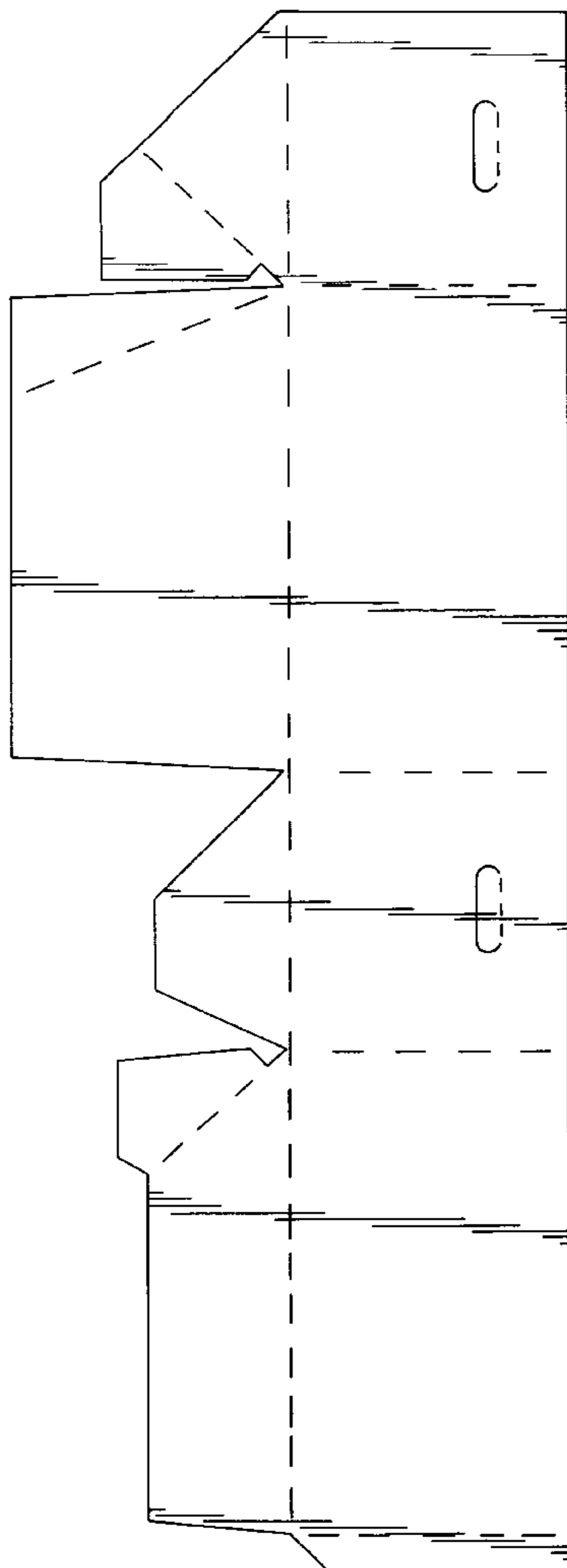
(57) **CLAIM**

The ornamental design for a packaging box, as shown and described.

DESCRIPTION

FIG. 1 is a plan view of the packaging box in unassembled condition;
FIG. 2 is a perspective view of the assembled box of FIG. 1, viewed from the bottom; and,
FIG. 3 is a perspective view of the assembled box of FIG. 1, viewed from the top.

1 Claim, 2 Drawing Sheets



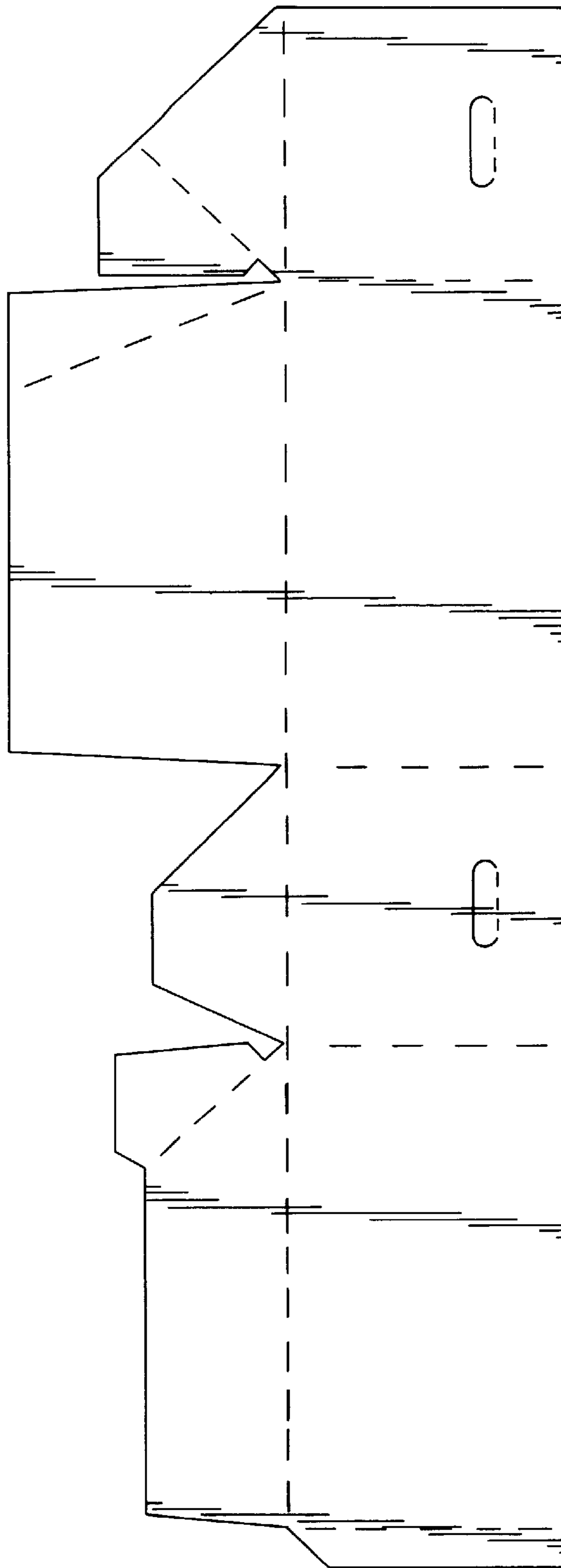


FIG. 1

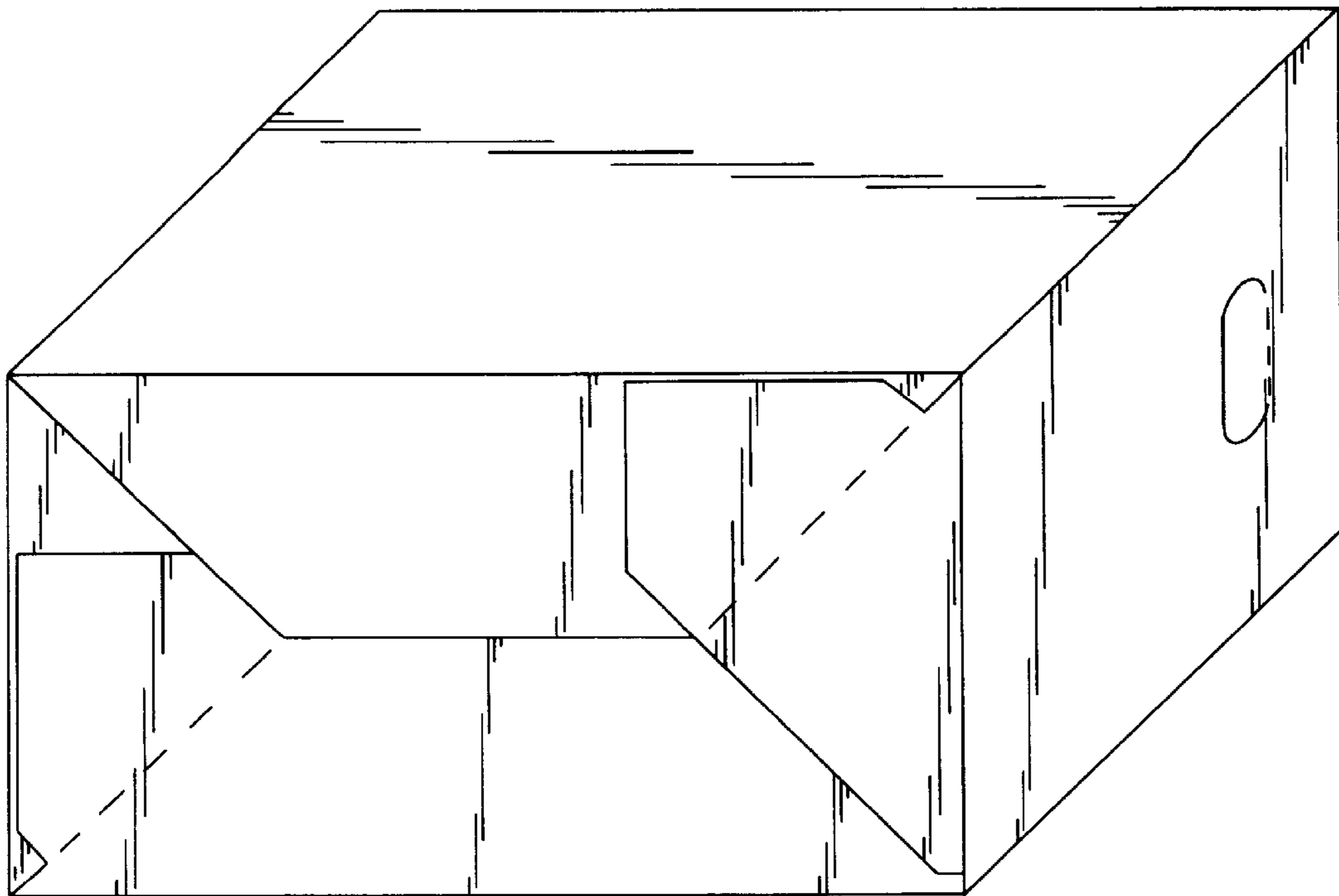


FIG. 2

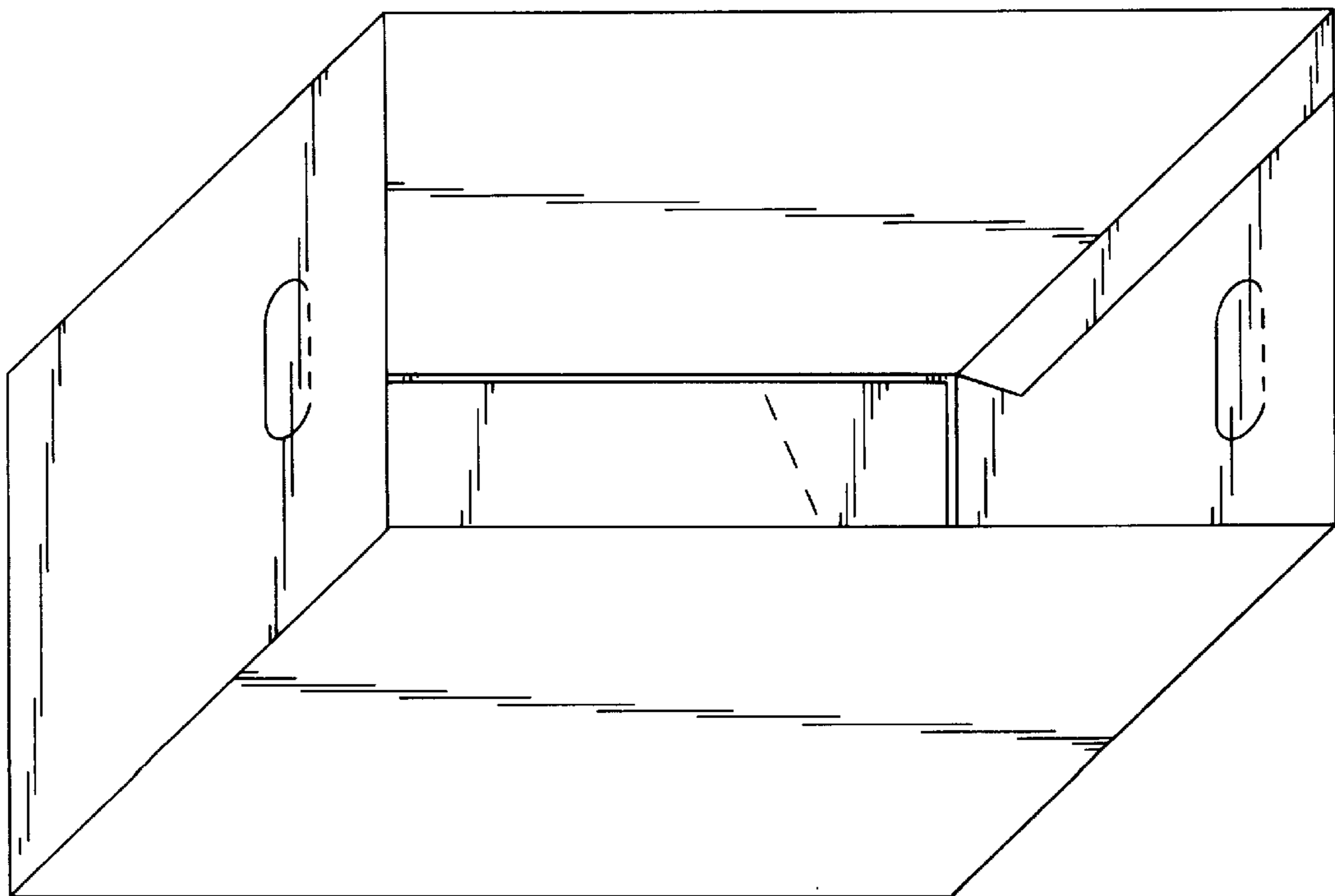


FIG. 3