



US00D437221S

(12) **United States Design Patent**
Sagel et al.

(10) **Patent No.:** **US D437,221 S**

(45) **Date of Patent:** **** Feb. 6, 2001**

- (54) **TUBULAR FOOD CONTAINER**
- (75) Inventors: **Joseph P. Sagel**, Lewisville, TX (US);
Robert J. Croft, Jersey City, NJ (US)
- (73) Assignee: **Recot, Inc.**, Pleasanton, CA (US)
- (**) Term: **14 Years**
- (21) Appl. No.: **29/119,091**
- (22) Filed: **Feb. 23, 2000**

3,942,668 *	3/1976	Eberie et al.	220/8
5,107,985 *	4/1992	Bezruczyk et al.	206/757
5,425,499 *	6/1995	Pfeiffer	229/115
5,620,109 *	4/1997	Madden	220/8 X
5,810,192 *	9/1998	Cruz	220/475

* cited by examiner

Primary Examiner—Prabhakar Deshmukh
(74) *Attorney, Agent, or Firm*—Rothwell, Figg, Ernst & Manbeck

Related U.S. Application Data

- (62) Division of application No. 29/092,901, filed on Aug. 28, 1998, now Pat. No. Des. 426,153.
- (51) **LOC (7) Cl.** **09-03**
- (52) **U.S. Cl.** **D9/430; D9/422**
- (58) **Field of Search** D9/414, 422, 415,
D9/430, 456, 457, 337, 338; 206/445, 96,
764, 765; 229/125.12, 125.125, 116.1, 23 BT,
162, 115, 116, 5.5; 220/345.1, 351, 8, 4.31,
4.32, 475, 435, 736

(56) **References Cited**

U.S. PATENT DOCUMENTS

D. 361,262 *	8/1995	Lusker	D9/430
D. 363,218 *	10/1995	Mann	D9/428
D. 424,430 *	5/2000	Seidler	D9/418
1,457,770 *	6/1923	Dodge	229/115
2,410,161 *	10/1946	Helbein	206/758
2,827,004 *	3/1958	Luce et al.	220/8

(57) **CLAIM**

The ornamental design for a tubular food container, as shown and described.

DESCRIPTION

FIG. 1 is a side elevational view of tubular food container showing our new design; all other sides views being a mirror image thereof;

FIG. 2 is a top plan view thereof;

FIG. 3 is a bottom plan view thereof;

FIG. 4 is a side elevational view of an inner tray; shown separately for clarity;

FIG. 5 is a left side elevational view of FIG. 4;

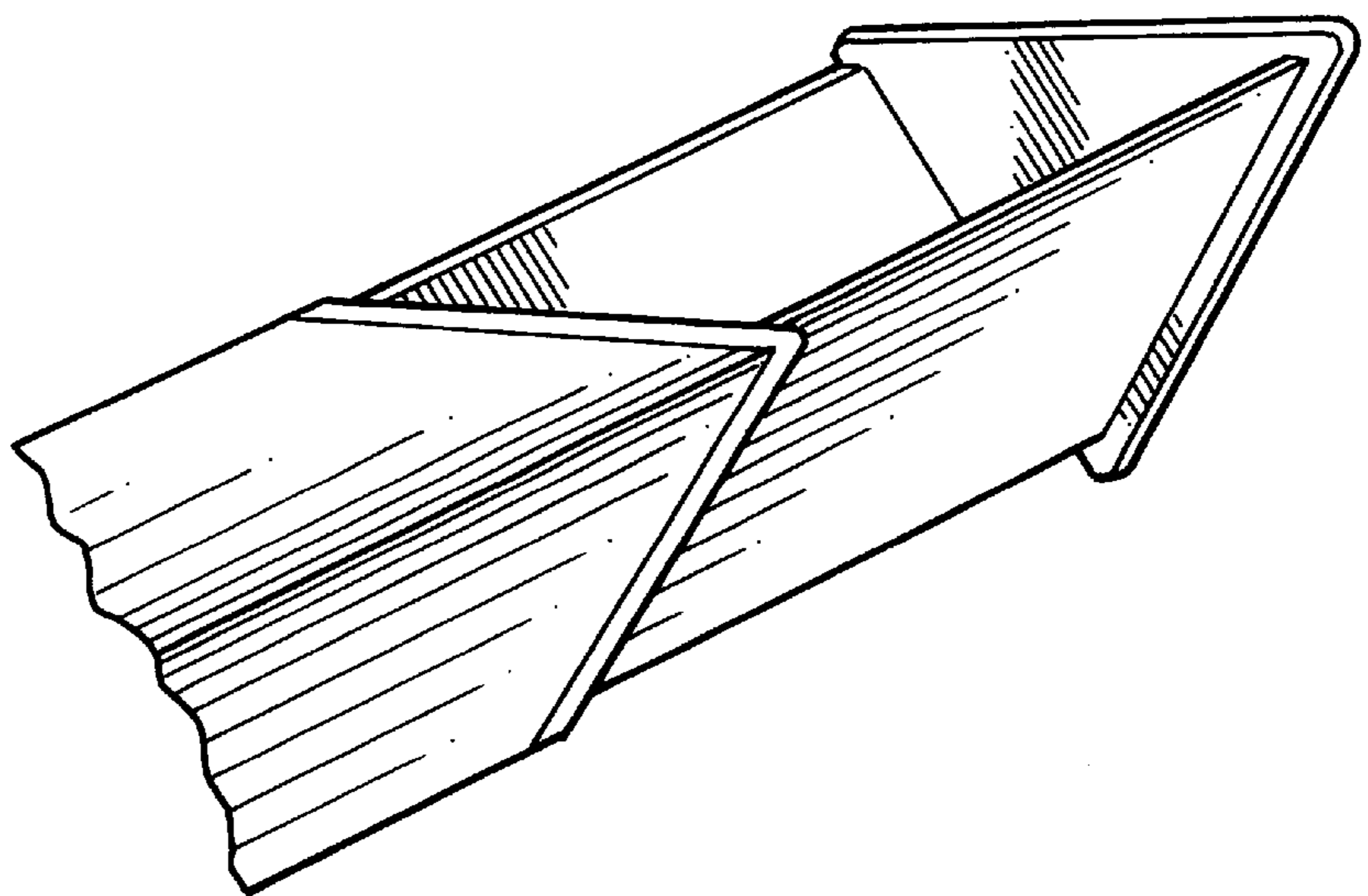
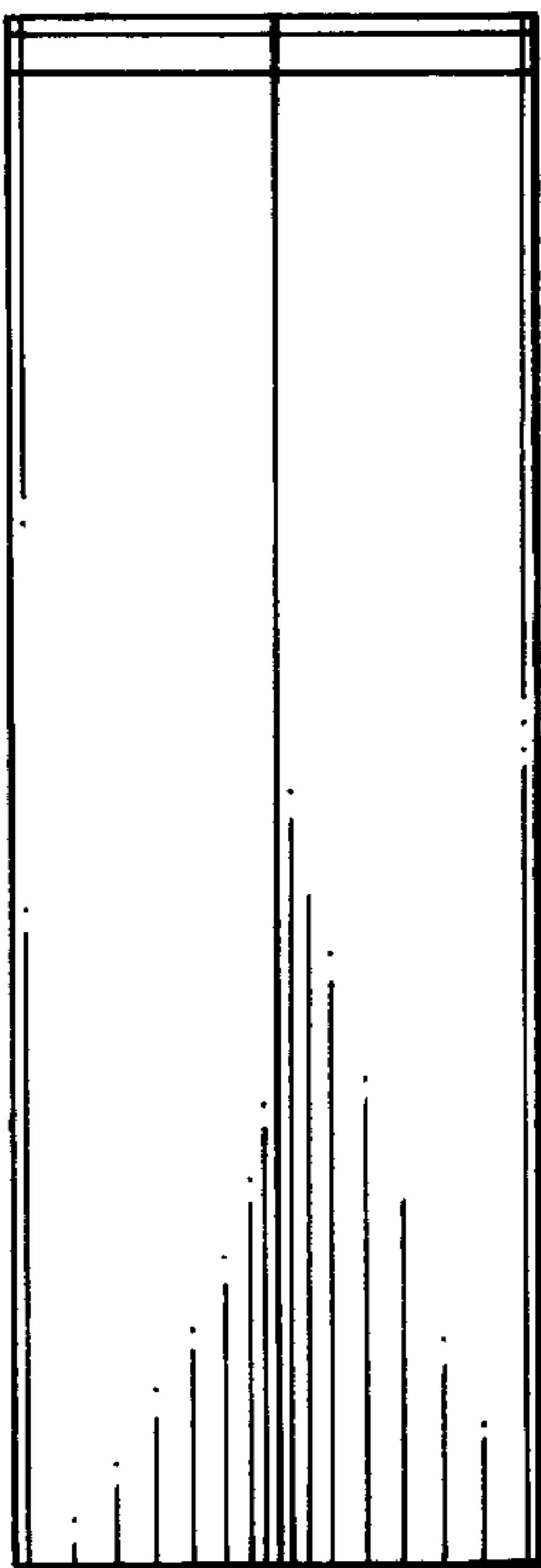
FIG. 6 is a right side elevational view of FIG. 4;

FIG. 7 is a top plan view of FIG. 6;

FIG. 8 is a bottom plan view of FIG. 6; and,

FIG. 9 is an enlarged sscale partial top perspective view thereof; with the inner tray partially received in the container body.

1 Claim, 2 Drawing Sheets



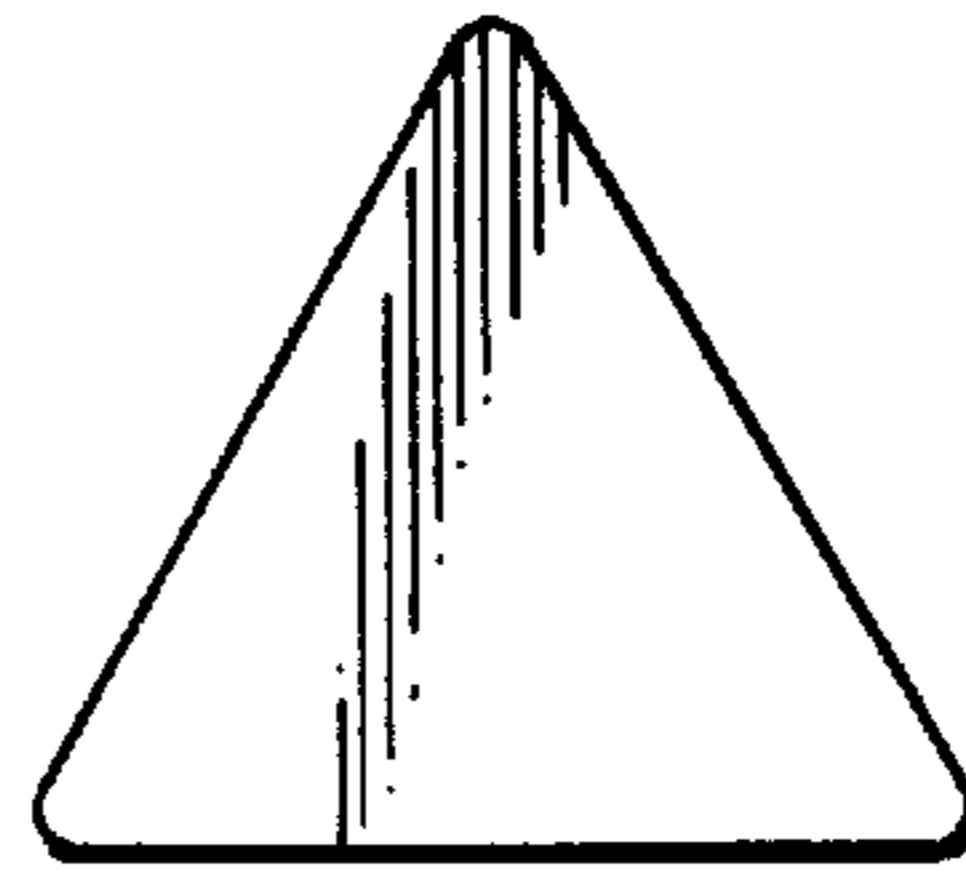


FIG. 7

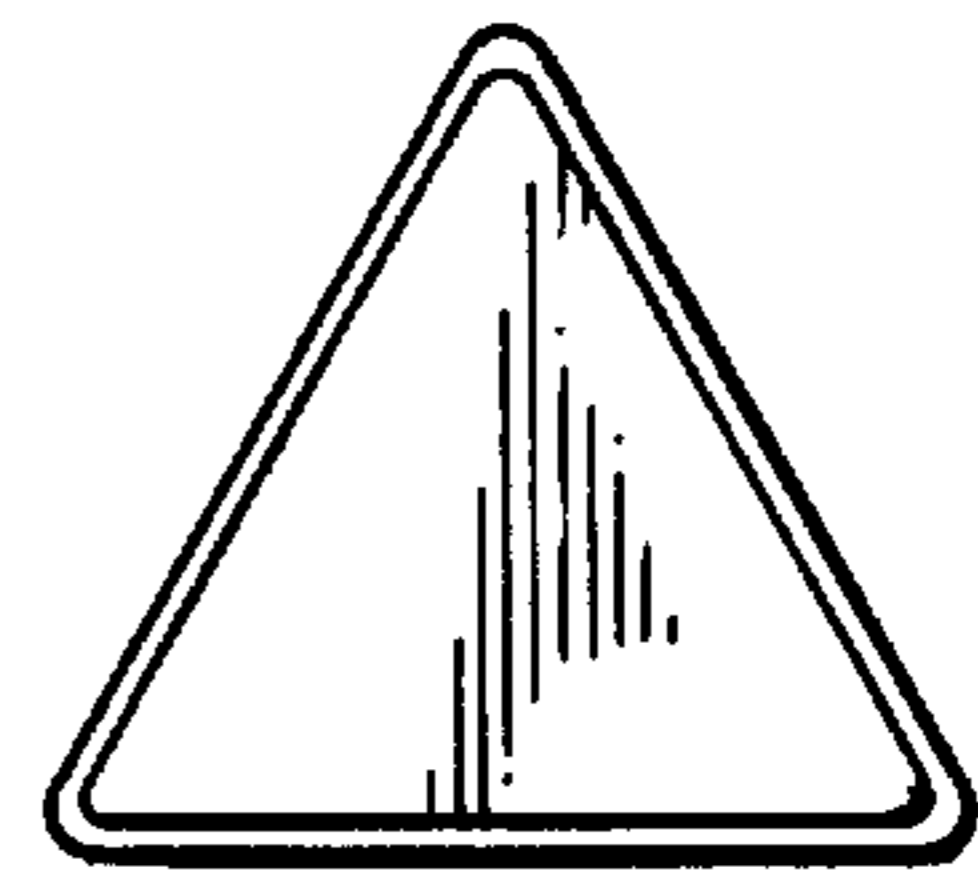


FIG. 2

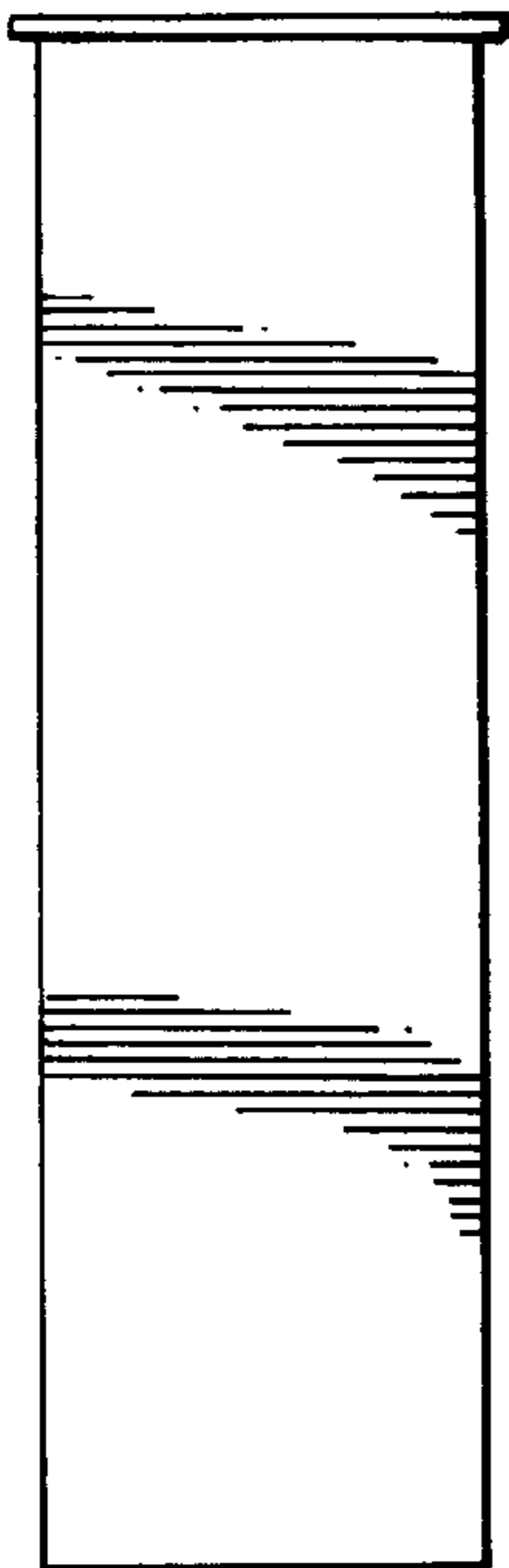


FIG. 4

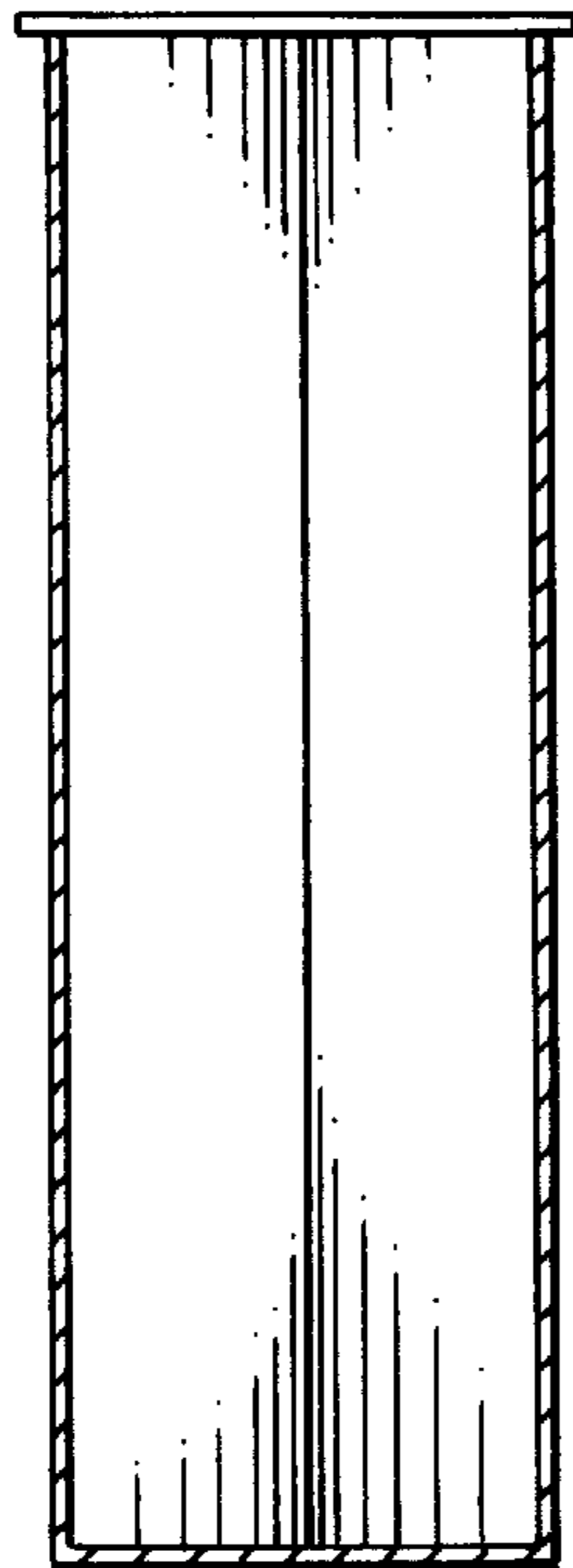


FIG. 5

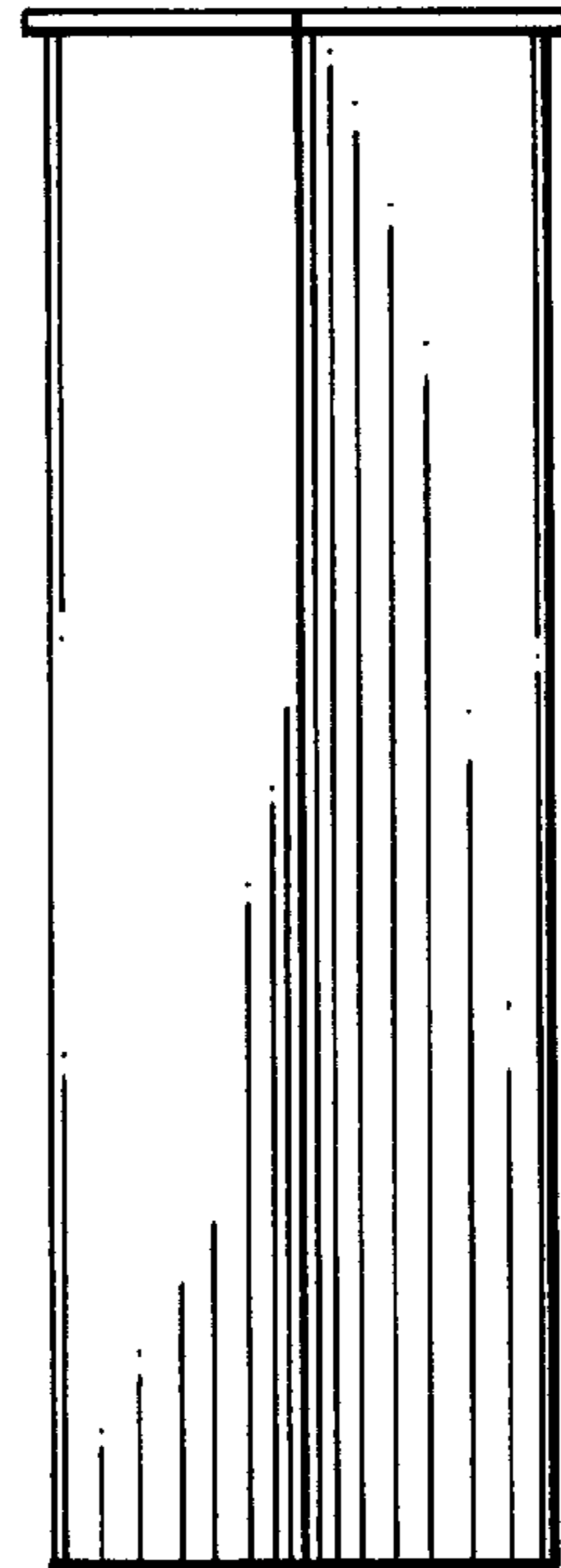


FIG. 6

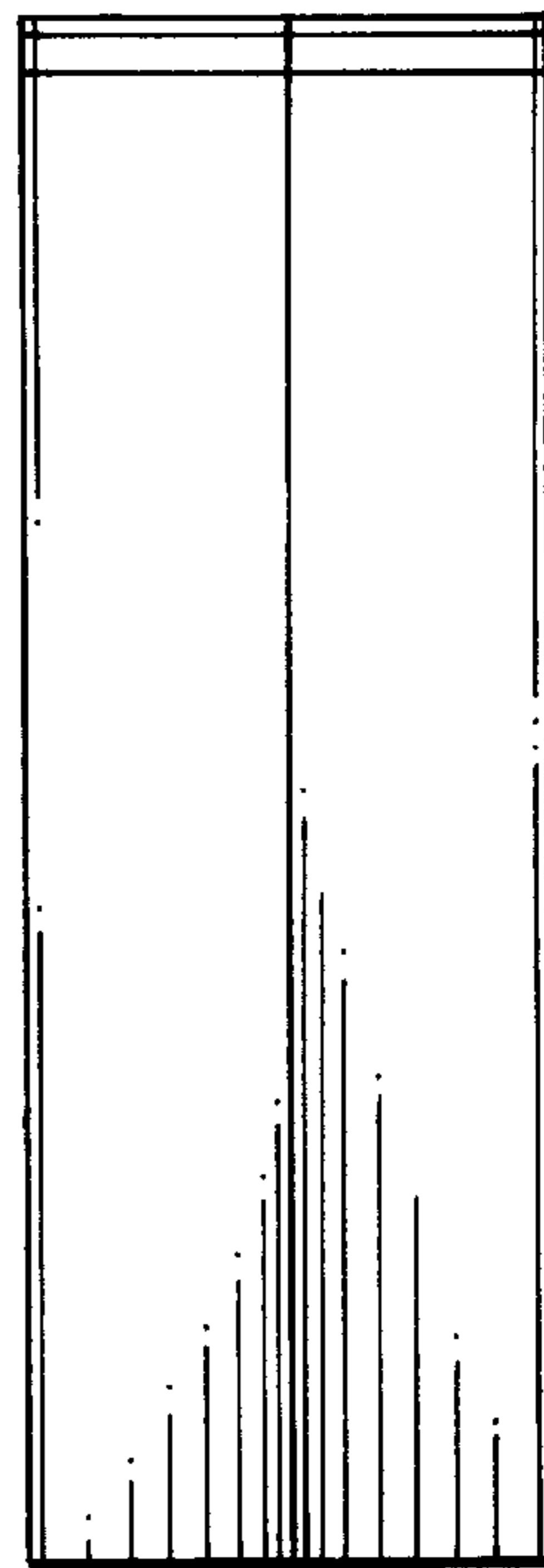


FIG. 1

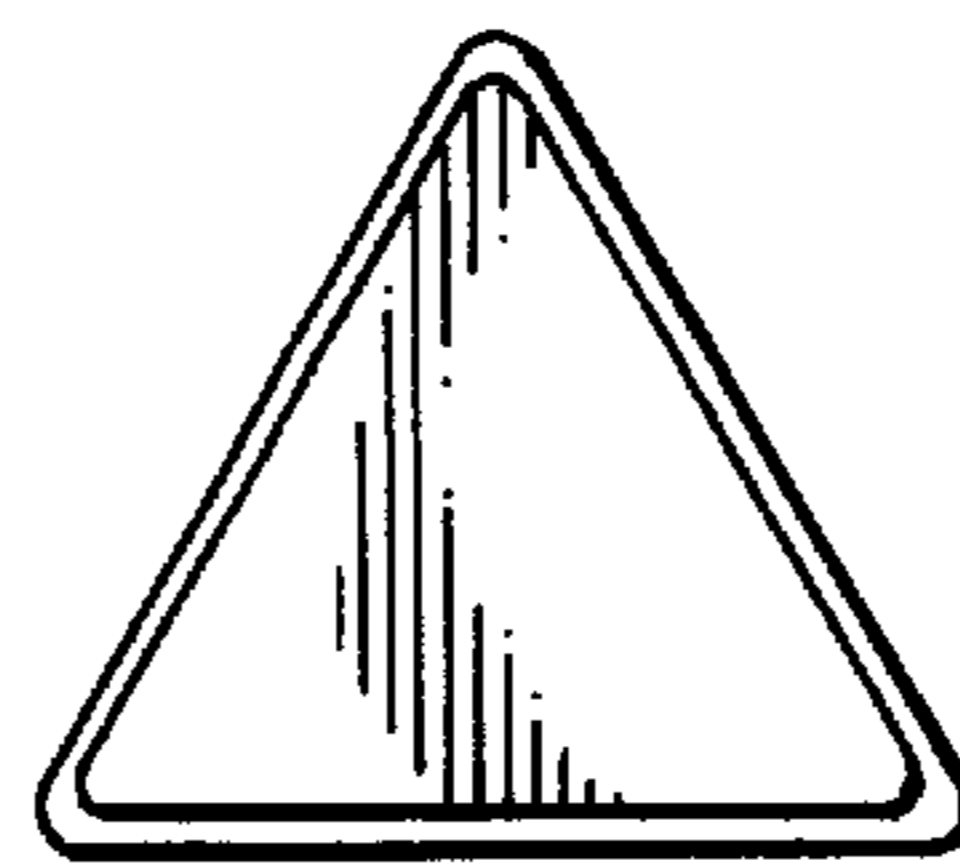


FIG. 8

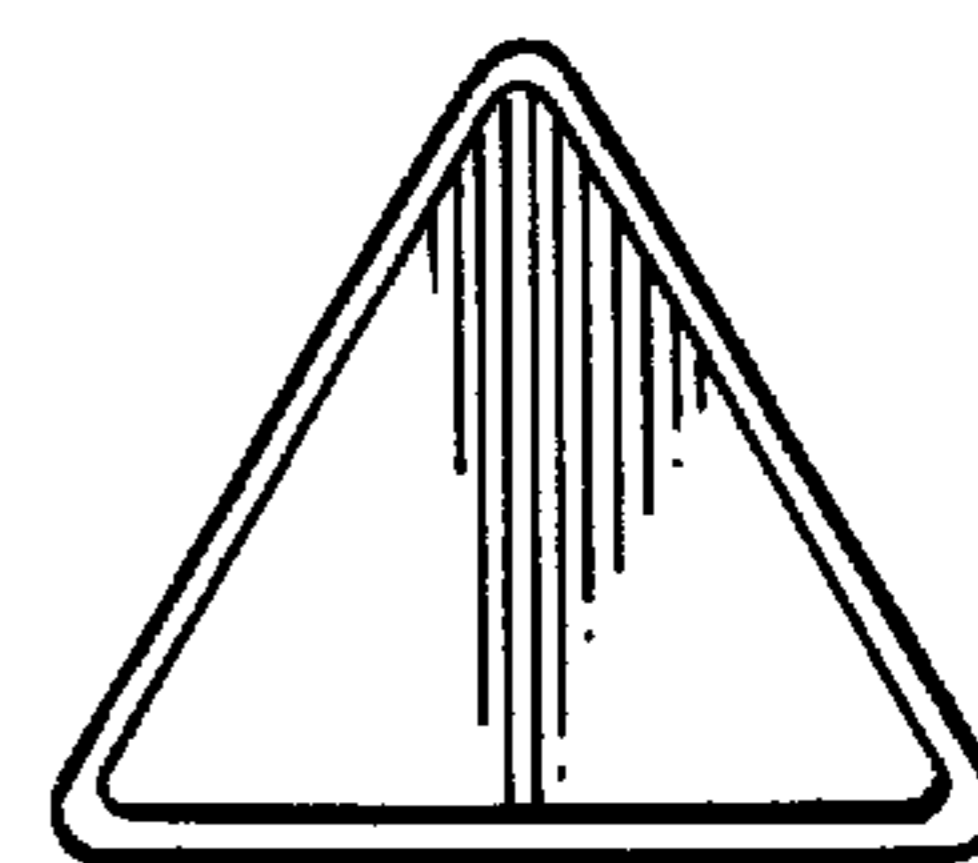


FIG. 3

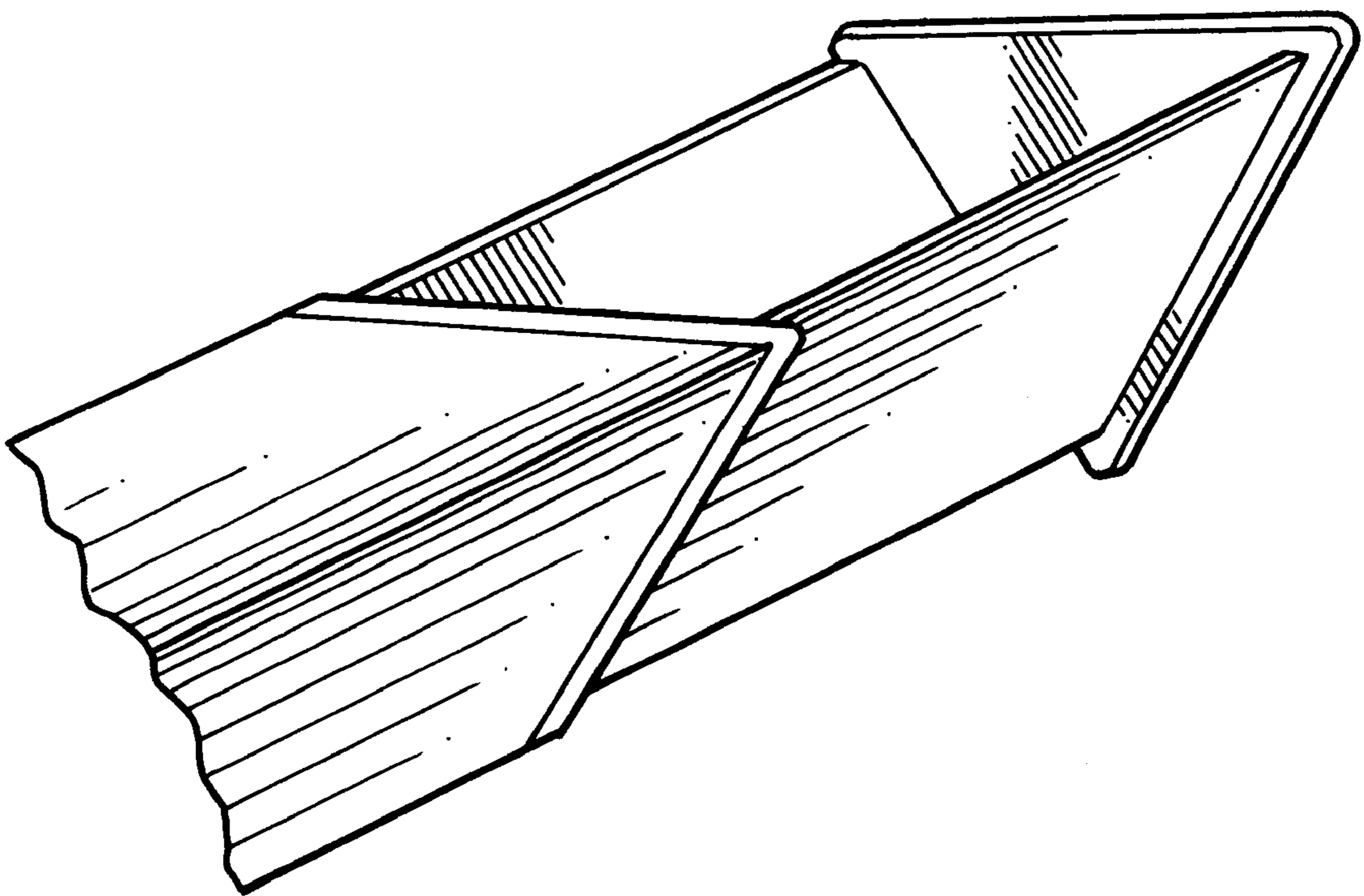


FIG. 9