



US00D437220S

(12) **United States Design Patent**
Knutson et al.

(10) **Patent No.:** **US D437,220 S**

(45) **Date of Patent:** **** Feb. 6, 2001**

(54) **PRODUCT HOLDING CONTAINER**

5,012,971 * 5/1991 Cozzi et al. 229/406 X

5,046,659 * 9/1991 Warburton 229/406

5,300,748 * 4/1994 Colombo 229/903 X

(75) Inventors: **Herb Knutson**, Waterbury; **Kevin J. Gallagher**, Cheshire, both of CT (US)

OTHER PUBLICATIONS

(73) Assignee: **Inline Plastics Corporation**, Shelton, CT (US)

Tenneco Packaging, p. 66, Jan. 1996.*

(**) Term: **14 Years**

* cited by examiner

(21) Appl. No.: **29/107,943**

Primary Examiner—Prabhakar Deshmukh

(74) *Attorney, Agent, or Firm*—Melvin I. Stoltz

(22) Filed: **Jul. 19, 1999**

(57) **CLAIM**

(51) **LOC (7) Cl.** **09-07**

The ornamental design for a product holding container, as shown and described.

(52) **U.S. Cl.** **D9/430; D9/425**

(58) **Field of Search** D9/420-430, 414, D9/337; D7/629; 229/406, 407, 4.5, 938, 939, 108, 116.1; 220/253, 254, 780-783, 789, 790, 791, 796, 797, 376, 380, 556; 206/216, 223, 541

DESCRIPTION

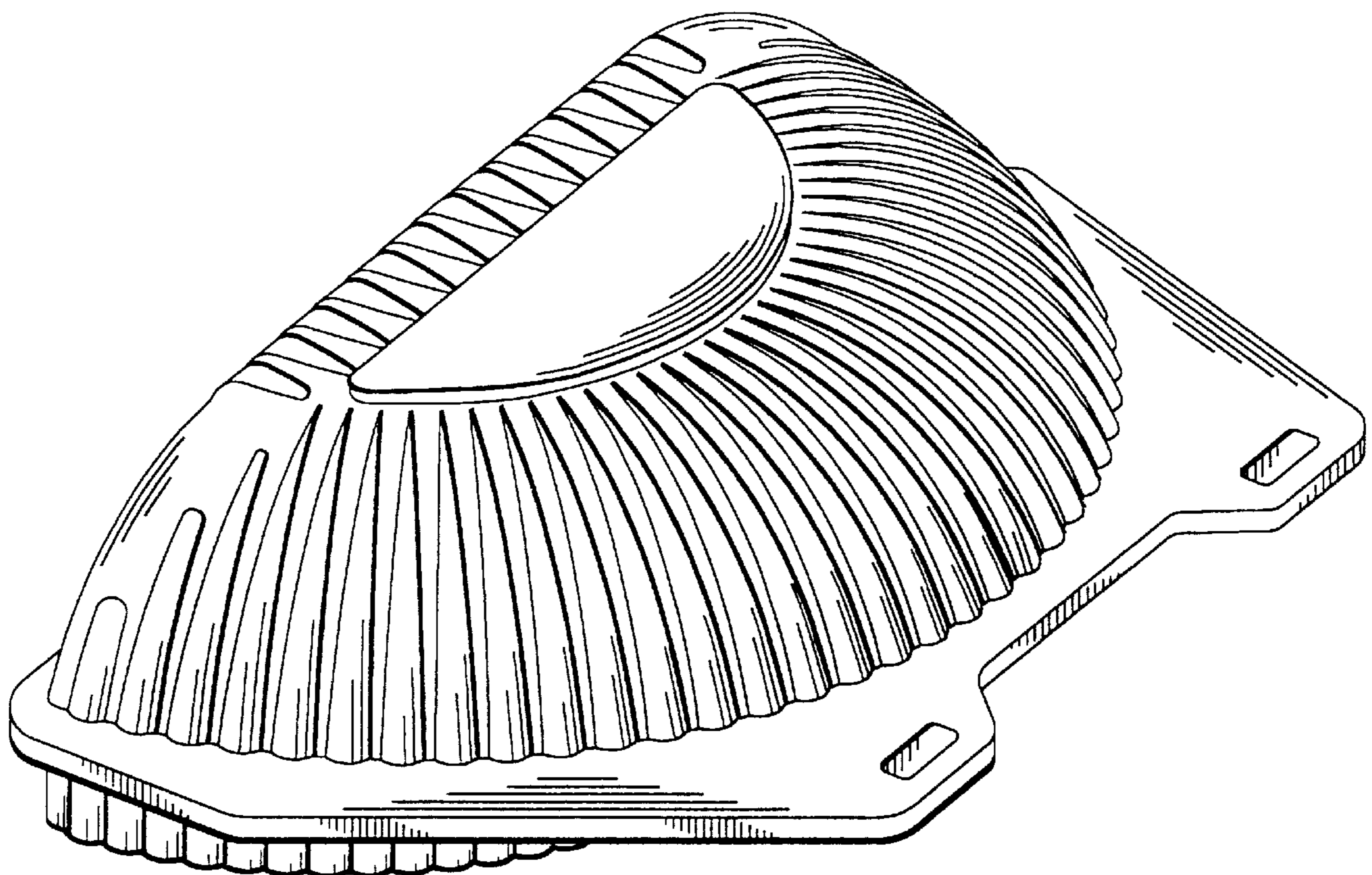
(56) **References Cited**

U.S. PATENT DOCUMENTS

- D. 394,807 * 6/1998 Krupa et al. D9/429
- D. 398,526 * 9/1998 Schwarz et al. D9/425 X
- D. 409,910 * 5/1999 Hayes et al. D9/425 X
- 3,511,433 * 5/1970 Andrews et al. 229/406 X
- 3,815,736 * 6/1974 Sedlak 206/501
- 3,927,794 * 12/1975 Erdman 220/268

FIG. 1 is a perspective view of the product holding container showing our new design;
 FIG. 2 is a top plan view thereof;
 FIG. 3 is a front elevational view thereof;
 FIG. 4 is a side elevational view thereof, looking from the left side of FIG. 2;
 FIG. 5 is a bottom plan view thereof;
 FIG. 6 is a rear elevational view thereof; and,
 FIG. 7 is a side elevational view thereof, looking from the right side of FIG. 2.

1 Claim, 3 Drawing Sheets



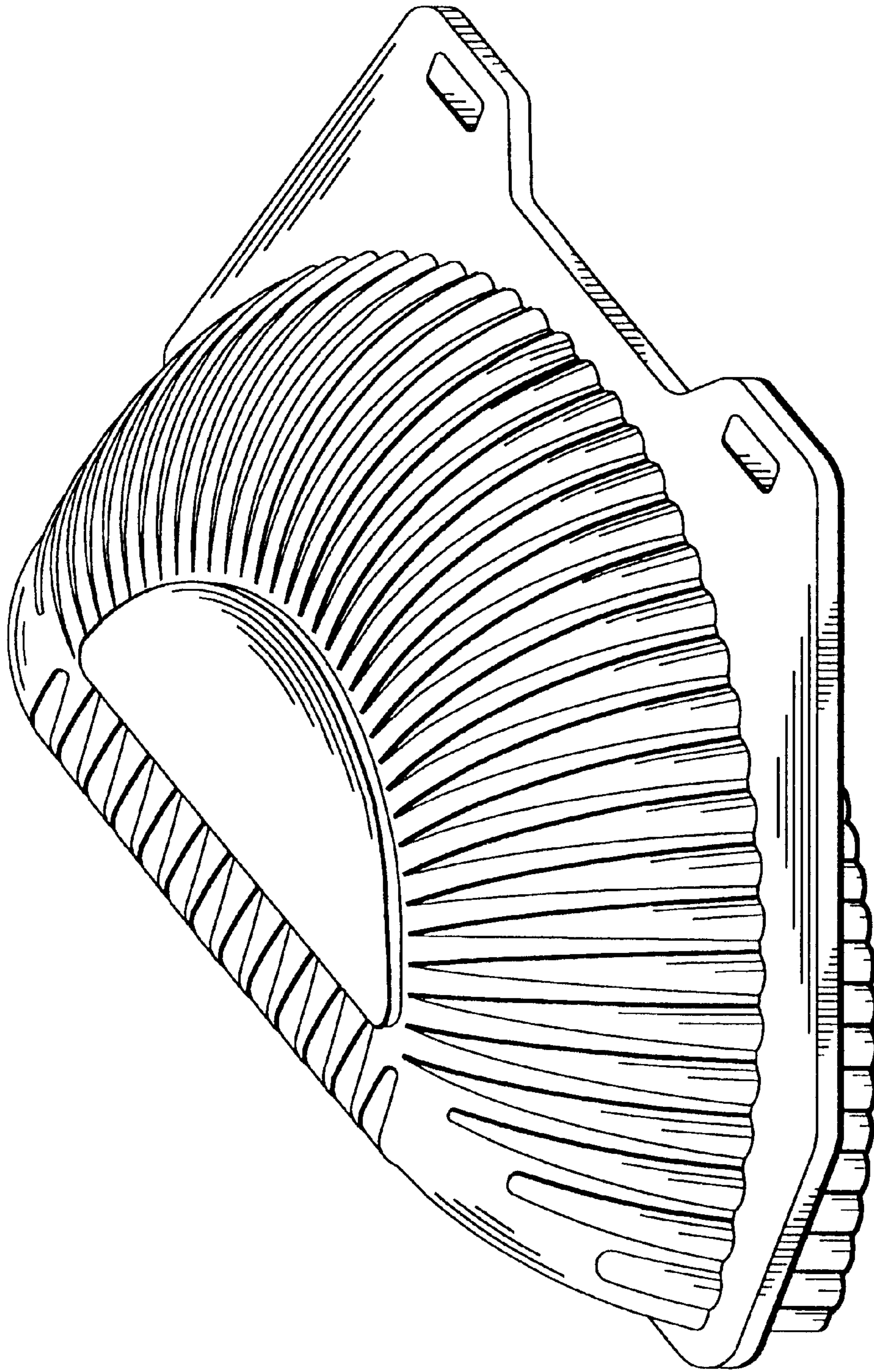


FIG. 1

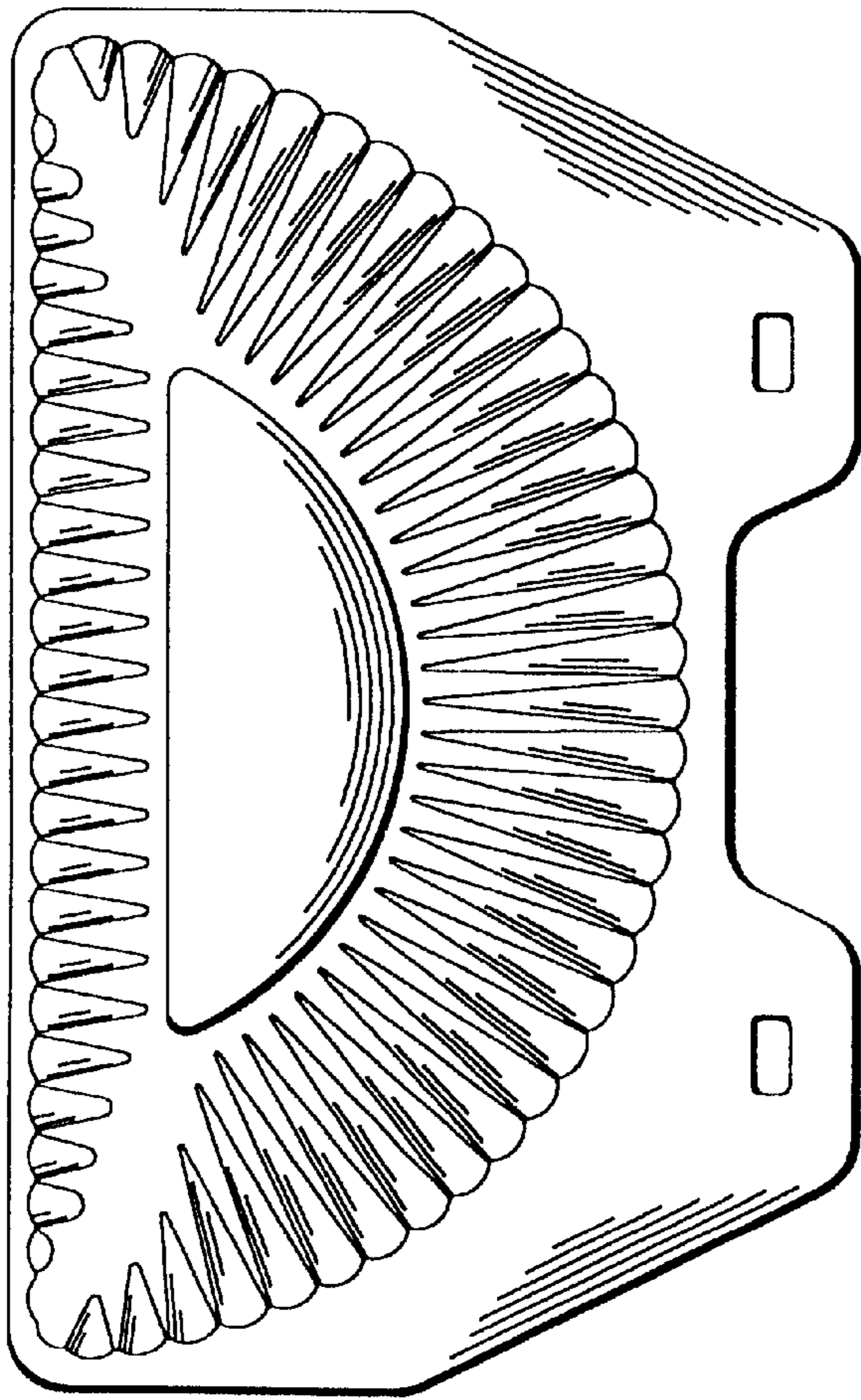


FIG. 2

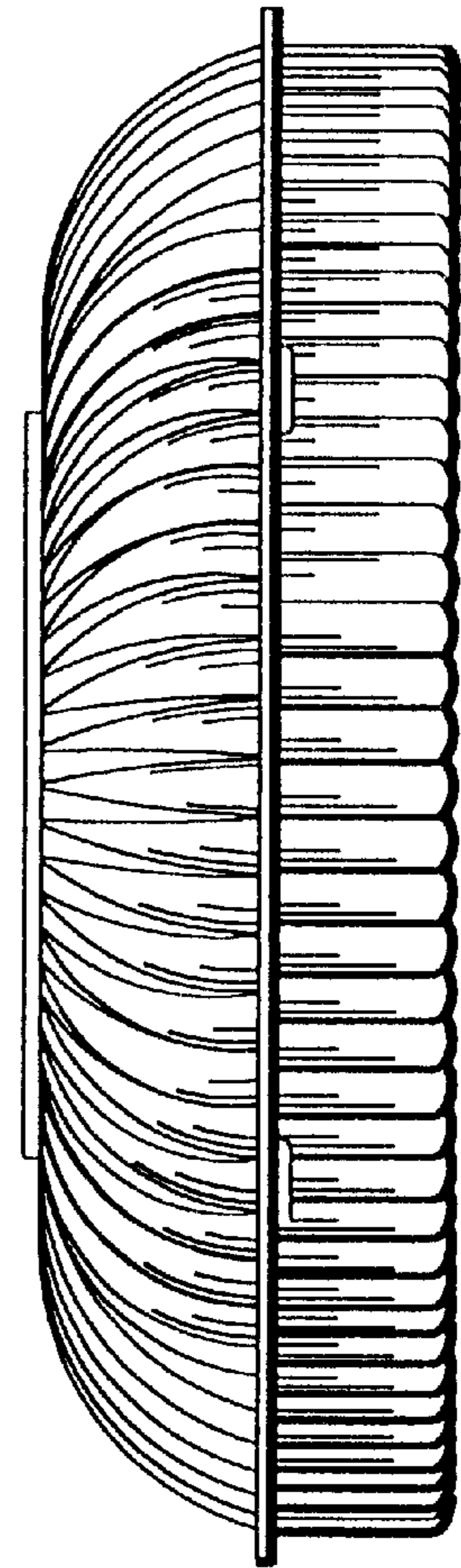


FIG. 3

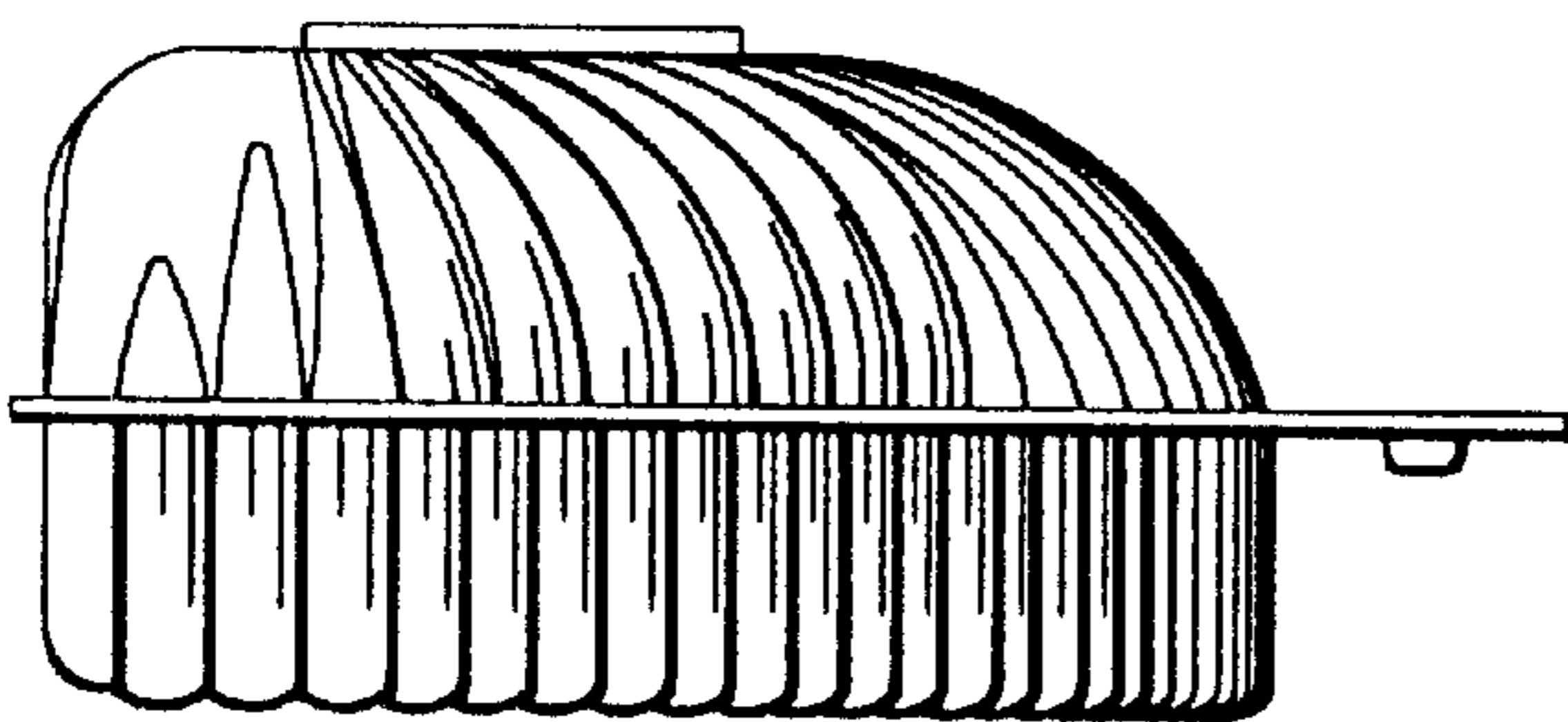


FIG. 4

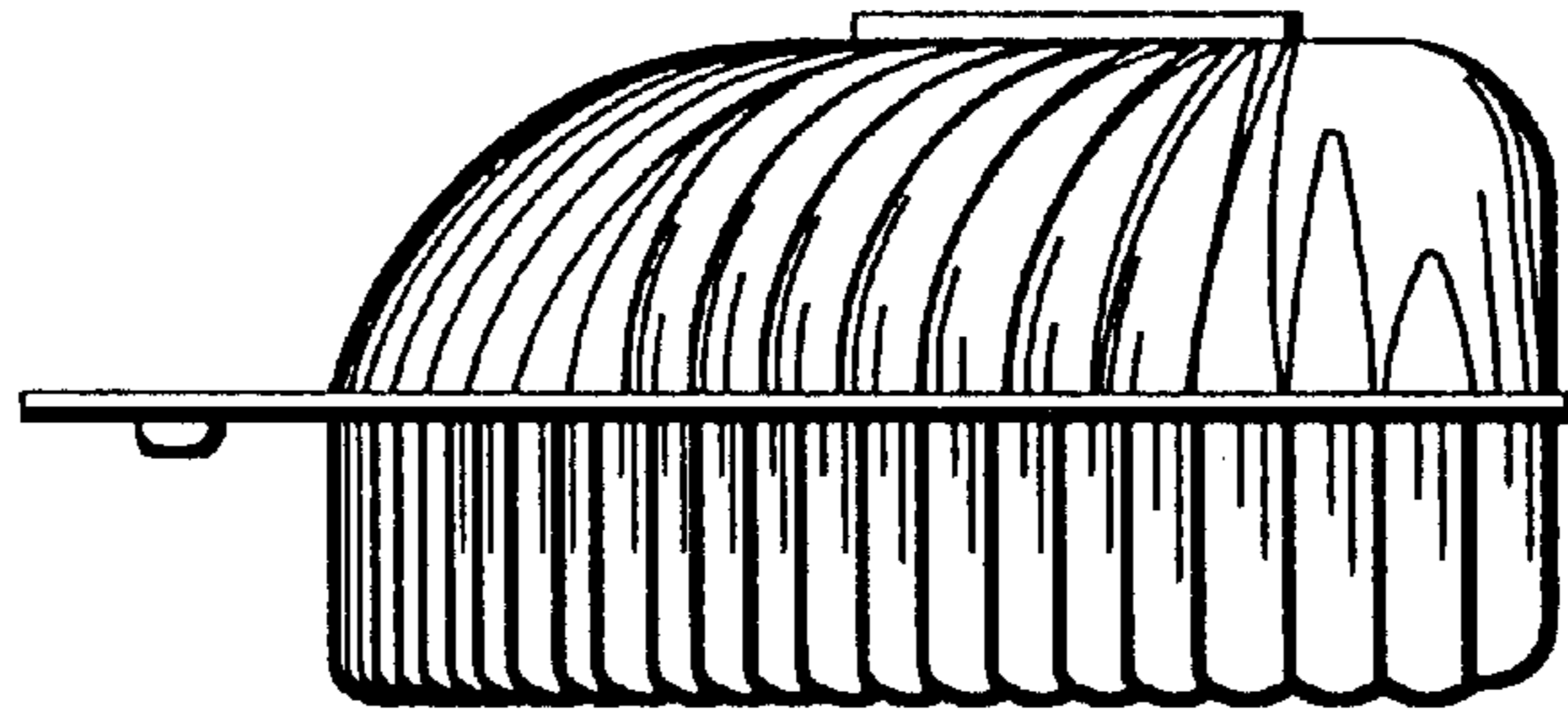


FIG. 7

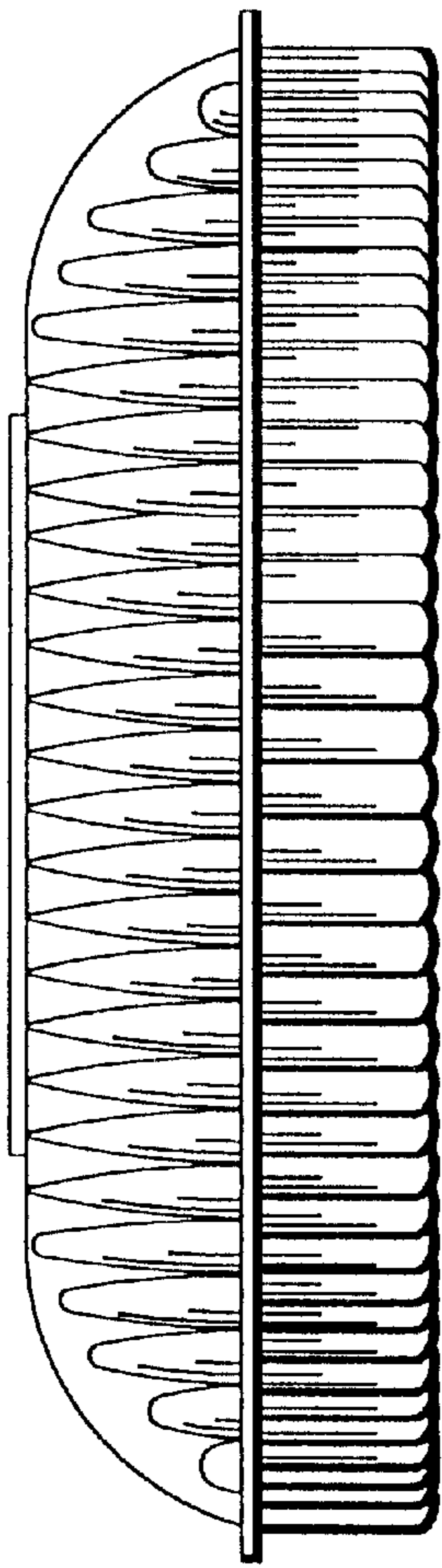


FIG. 6

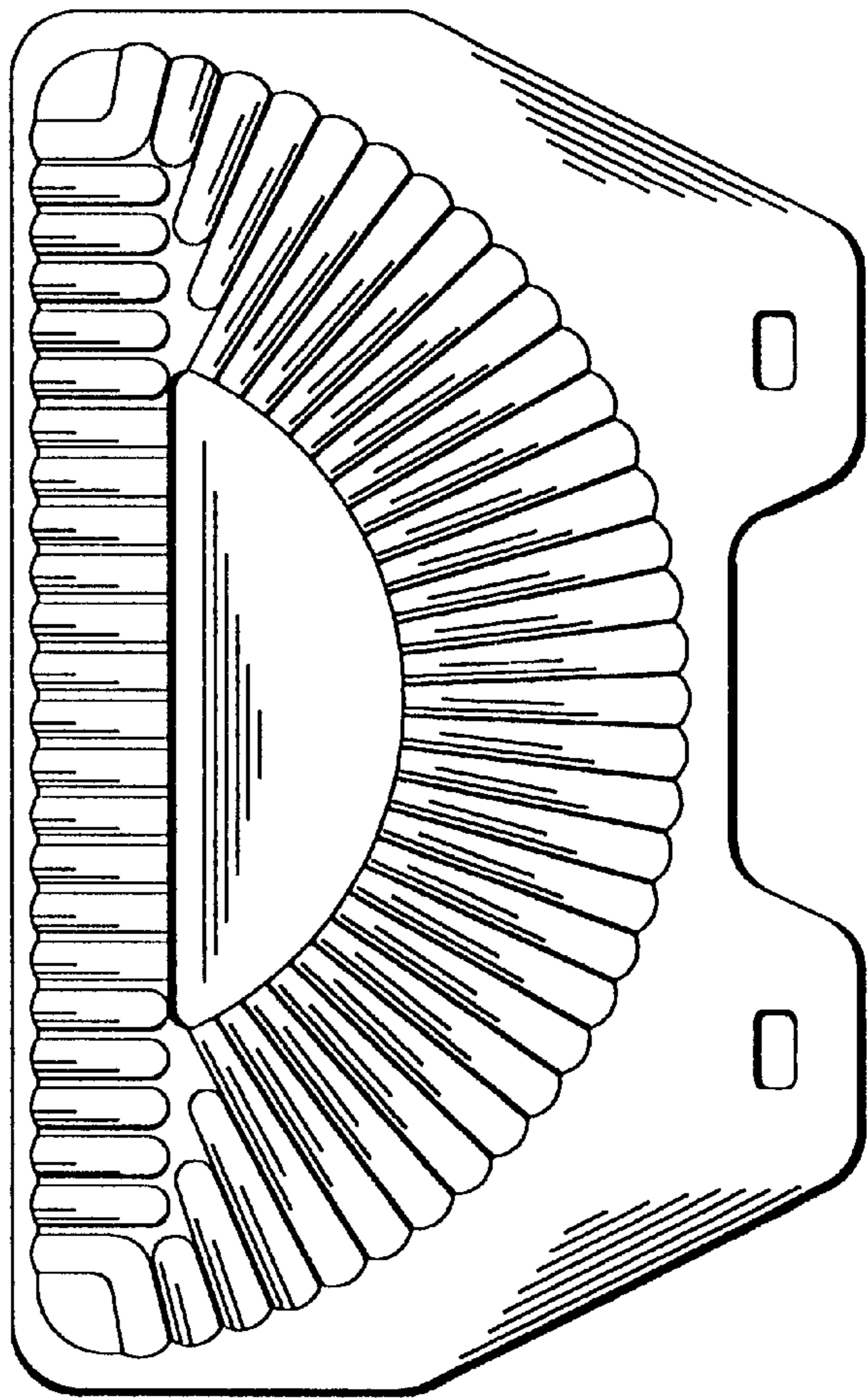


FIG. 5