



US00D437219S

(12) **United States Design Patent**
Gallart et al.

(10) **Patent No.:** **US D437,219 S**

(45) **Date of Patent:** **** Feb. 6, 2001**

(54) **PACKAGE FOR CONFECTIONERY**

(75) Inventors: **Ramón Escolà Gallart**, Sant Cugat del Valles; **Ramón Bayés Turull**, Barcelona, both of (ES)

(73) Assignee: **Zeta Espacial, S.A.** (ES)

(**) Term: **14 Years**

(21) Appl. No.: **29/124,935**

(22) Filed: **Jun. 14, 2000**

Related U.S. Application Data

(62) Division of application No. 29/107,486, filed on Jul. 6, 1999.

(30) **Foreign Application Priority Data**

Jan. 5, 1999 (GB) 2080170

(51) **LOC (7) Cl.** **09-07**

(52) **U.S. Cl.** **D9/428; D9/418**

(58) **Field of Search** D9/428, 424, 414, D9/337, 423, 418; 206/303, 389, 407, 800; 220/4.01, 9.2, 254, 290, 334, 337, 342, 662-665, 696, 752, 318, 212.5; 229/4.5, 93, 87.07, 904.1, 406, 5.5

(56) **References Cited**

U.S. PATENT DOCUMENTS

D. 336,039 * 6/1993 Tanaka et al. D9/428

D. 359,234	*	6/1995	Amin	D9/428
D. 362,801	*	10/1995	Milroy	D9/428
1,361,628	*	12/1920	Shailer	229/904.1
1,672,196	*	6/1928	Blckwell	229/904.1
3,921,897	*	11/1975	Noyes et al.	229/4.5
4,377,231	*	3/1983	Murphy	220/662
4,726,469	*	2/1988	Farber	206/303
5,083,994	*	1/1992	Soufert	220/662
5,368,389	*	11/1994	Dedoes	220/752
5,462,185	*	10/1995	Walker, III	220/752
6,006,945	*	12/1999	Kirkland	229/4.5

* cited by examiner

Primary Examiner—Prabhakar Deshmukh

(74) *Attorney, Agent, or Firm*—Steinberg & Raskin, P.C.

(57) **CLAIM**

The ornamental design for a package for confectionery, as shown and described.

DESCRIPTION

FIG. 1 is a perspective view of a package for confectionery showing the new design;
FIG. 2 is a top plan view thereof; with the top in a closed position;
FIG. 3 is a front side elevation view thereof;
FIG. 4 is a bottom plan view thereof;
FIG. 5 is a right side elevation view thereof;
FIG. 6 is a rear view thereof; and,
FIG. 7 is a left side elevation view thereof.

1 Claim, 2 Drawing Sheets

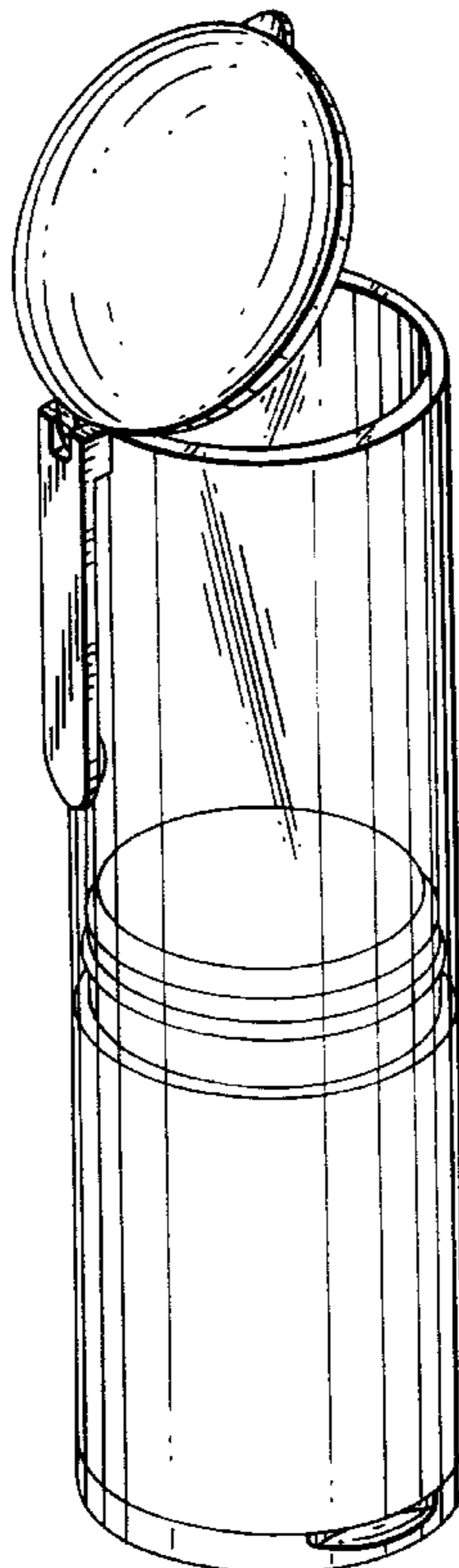


FIG. 1

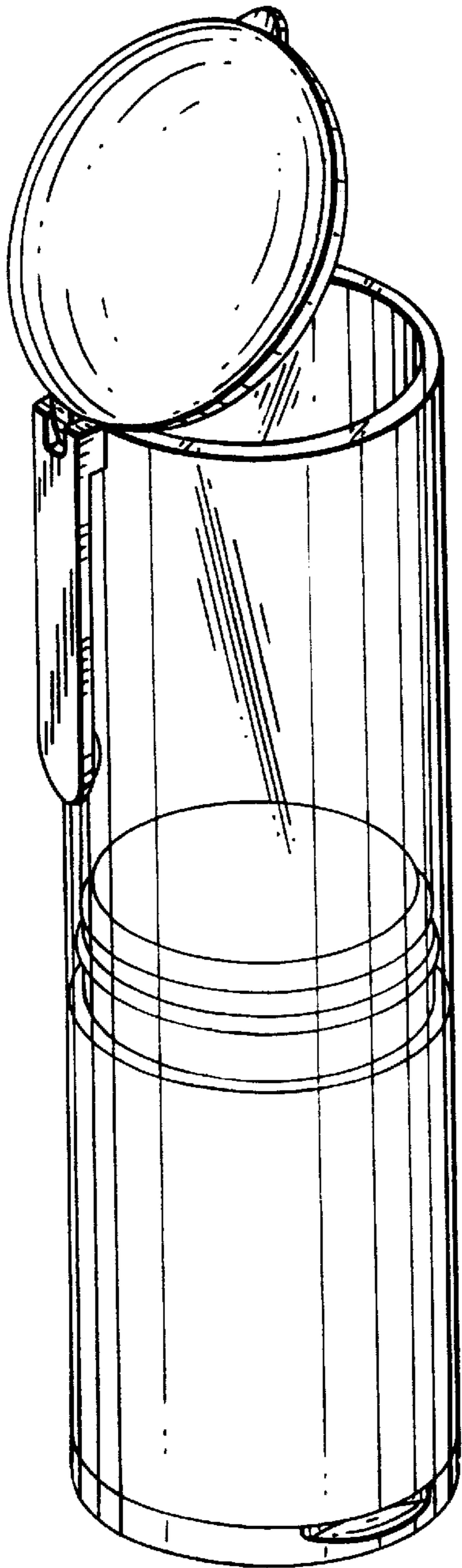


FIG. 2

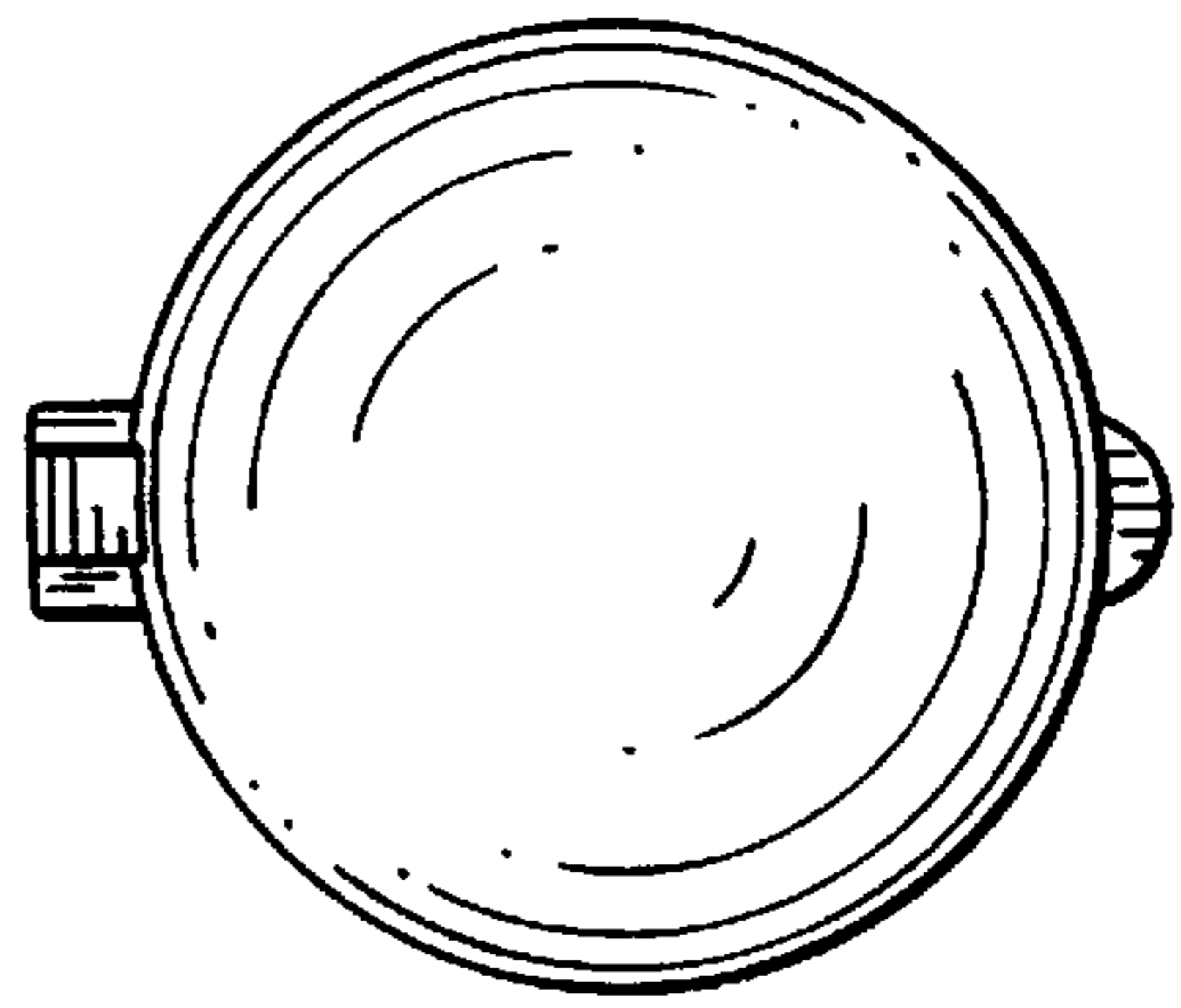


FIG. 3

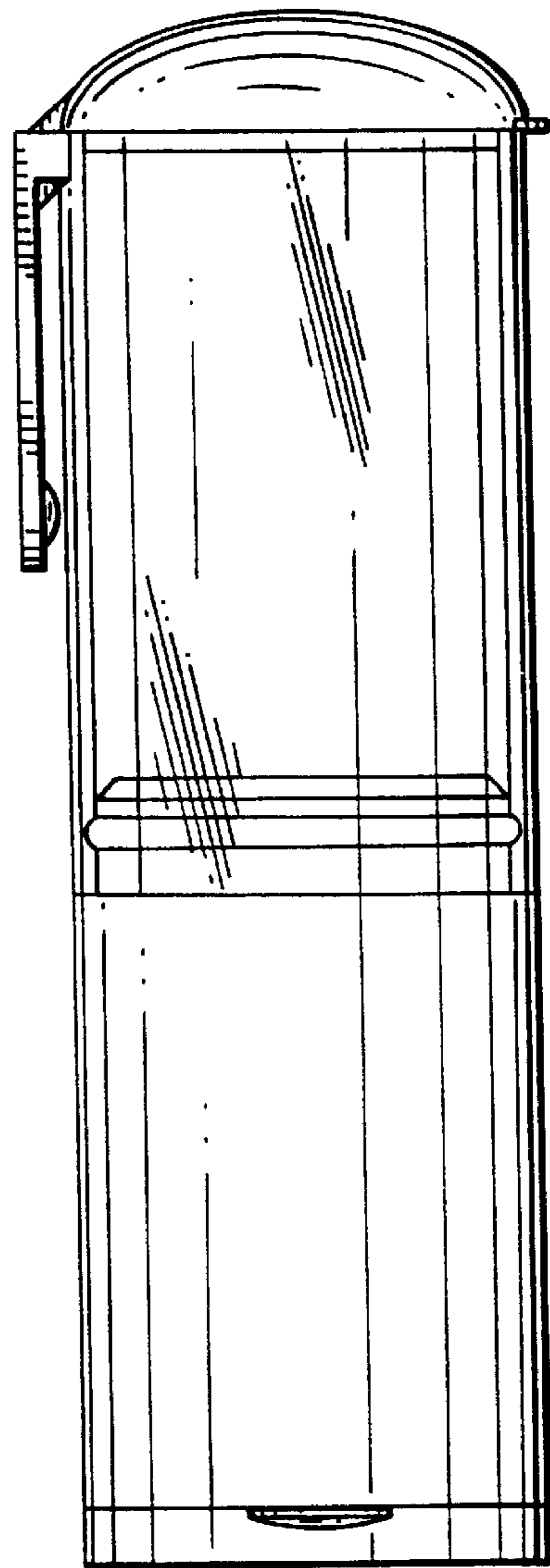


FIG. 4

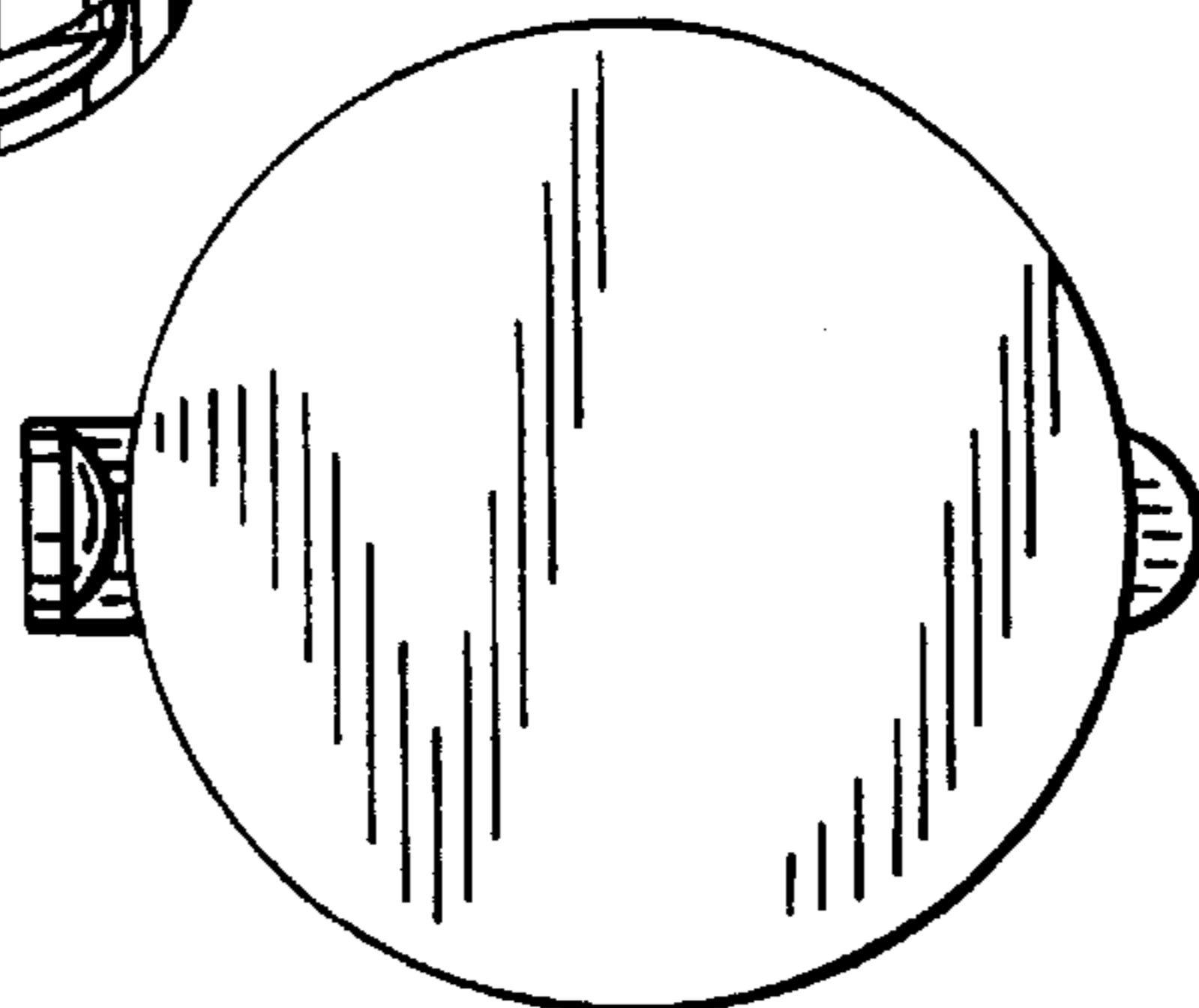


FIG. 7

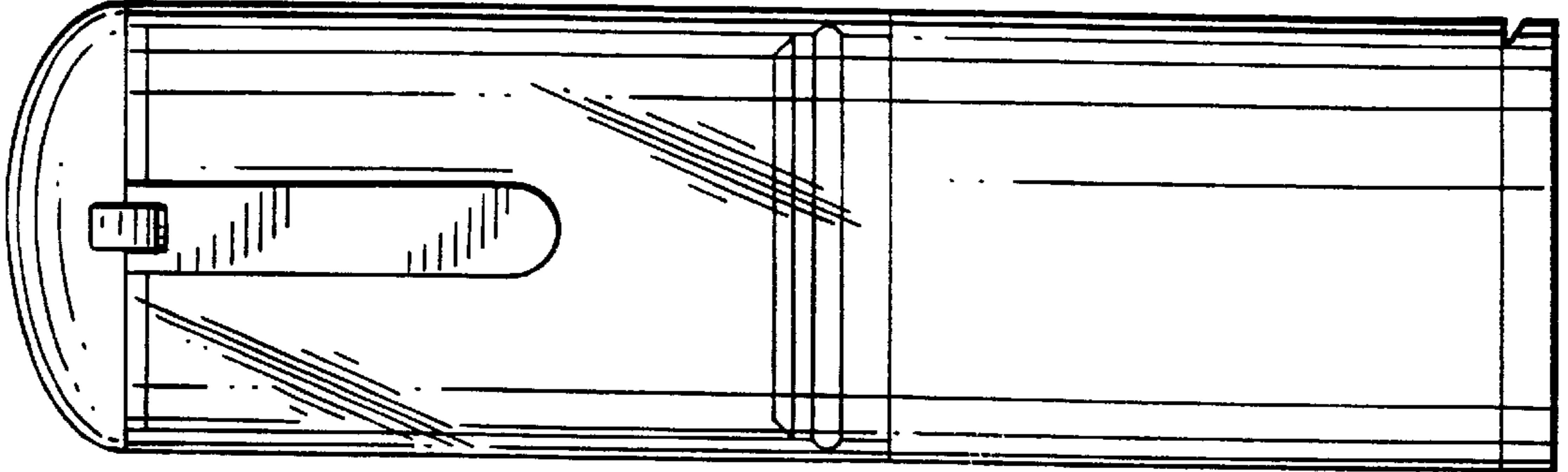


FIG. 6

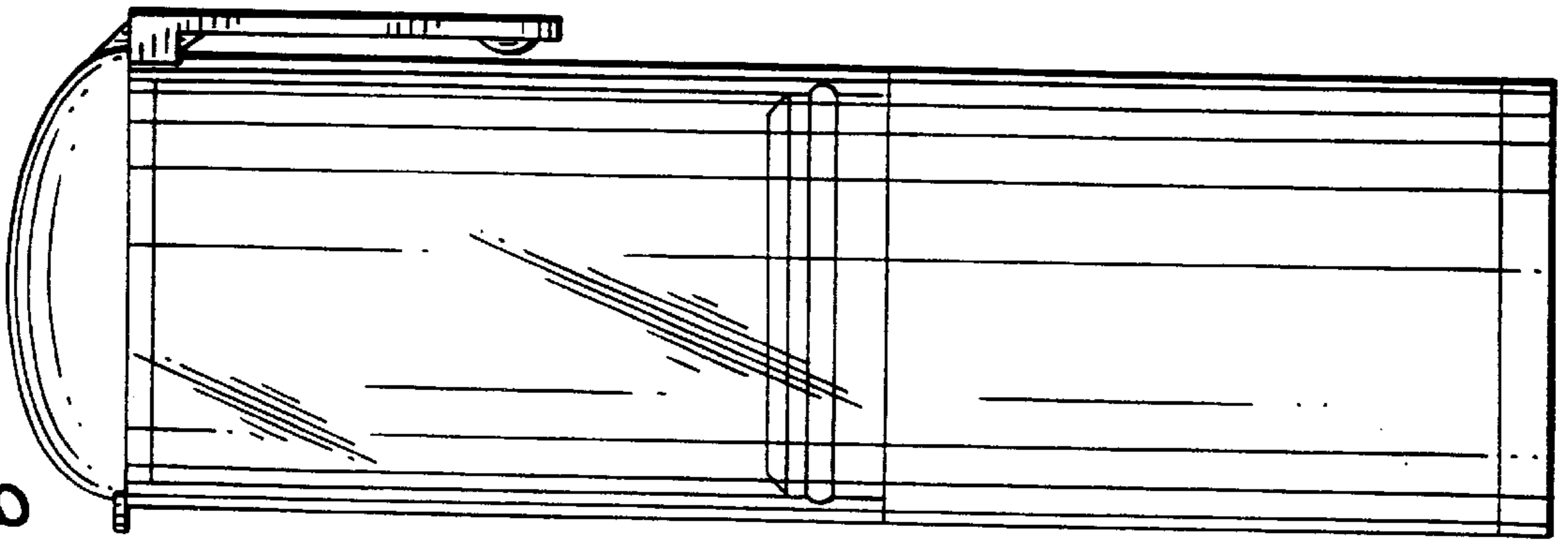


FIG. 5

