



US00D437217S

(12) **United States Design Patent**
Bloor et al.

(10) **Patent No.:** **US D437,217 S**

(45) **Date of Patent:** **** Feb. 6, 2001**

(54) **WOUND CARE PAD PACKAGE**

(75) **Inventors:** **Stephen Bloor**, Chorley; **Laura Sinclair**, Skipton, both of (GB); **Peter Van Leeuwen**, Hamburg (DE)

(73) **Assignee:** **Johnson & Johnson Medical Ltd.** (GB)

(**) **Term:** **14 Years**

(21) **Appl. No.:** **29/119,055**

(22) **Filed:** **Feb. 22, 2000**

(51) **LOC (7) Cl.** **09-03**

(52) **U.S. Cl.** **D9/415; D24/189**

(58) **Field of Search** D9/415, 418, 341, D9/337, 480; D24/188, 189; 206/461-471, 495, 806, 440, 441; 128/888, 112.1; 602/41, 42, 79

(56) **References Cited**

U.S. PATENT DOCUMENTS

D. 33,764	12/1900	Georges .	
D. 121,576	7/1940	Scholl .	
D. 278,363	4/1985	Schenkel et al. .	
D. 292,826	11/1987	Sproles .	
D. 296,006	5/1988	Asche .	
D. 309,432	7/1990	Mancini .	
313,238	3/1885	Ray .	
D. 313,554	1/1991	Clark, II .	
D. 329,017 *	9/1992	Goodale	D9/415
D. 336,547	6/1993	Akhbari .	
D. 351,343 *	10/1994	Keller et al.	D9/415
D. 352,237 *	11/1994	Reardon et al.	D9/415
D. 352,357	11/1994	Ashley .	
D. 353,167	12/1994	Callf .	
D. 357,115	4/1995	Abrams et al. .	
D. 358,481 *	5/1995	Abrams et al.	D9/415
D. 362,505	9/1995	Fabricant .	
D. 385,024	10/1997	Roberts .	
D. 398,846	9/1998	Wylotsky .	
D. 398,848	9/1998	Wylotsky et al. .	
D. 404,136	1/1999	Dunshee et al. .	
D. 408,541	4/1999	Dunshee et al. .	

D. 409,754	5/1999	Dunshee et al. .	
D. 410,087	5/1999	Dunshee et al. .	
D. 410,546	6/1999	Brogden et al. .	
D. 417,149	11/1999	Fletcher et al. .	
D. 418,060	12/1999	De Villiers .	
D. 418,750	1/2000	Blin .	
D. 429,636 *	8/2000	Besnard et al.	D9/415
693,115	2/1902	Cozzens .	
2,125,008	7/1938	Scholl .	
2,321,363	6/1943	Crowley .	
2,544,315	3/1951	Heldmann .	
2,905,174	9/1959	Smith .	
3,260,261	7/1966	Gallovich .	
3,342,183	9/1967	Edenbaum .	
3,885,559	5/1975	Economou .	
3,938,659 *	2/1976	Wardwell	206/440
4,126,130	11/1978	Cowden et al. .	
4,263,906 *	4/1981	Finley	602/79
4,530,353	7/1985	Lauritzen .	
5,462,746	10/1995	Wolter et al. .	
5,489,262 *	2/1996	Cartmell et al.	206/440
5,497,788	3/1996	Inman et al. .	
5,630,430	5/1997	Shultz et al. .	
5,702,356 *	12/1997	Hathman	602/79
5,738,642	4/1998	Heinecke et al. .	
5,972,008 *	10/1999	Kalinski et al.	206/440

FOREIGN PATENT DOCUMENTS

3823070 A1 2/1990 (DE) .

* cited by examiner

Primary Examiner—Prabhakar Deshmukh
(74) *Attorney, Agent, or Firm*—T. J. Shatynski

(57) **CLAIM**

The ornamental design for a wound care pad package, as shown and described.

DESCRIPTION

FIG. 1 is a perspective view thereof;
FIG. 2 is a view from above thereof;
FIG. 3 is a view from below thereof; and,
FIG. 4 is a side view thereof.

1 Claim, 2 Drawing Sheets

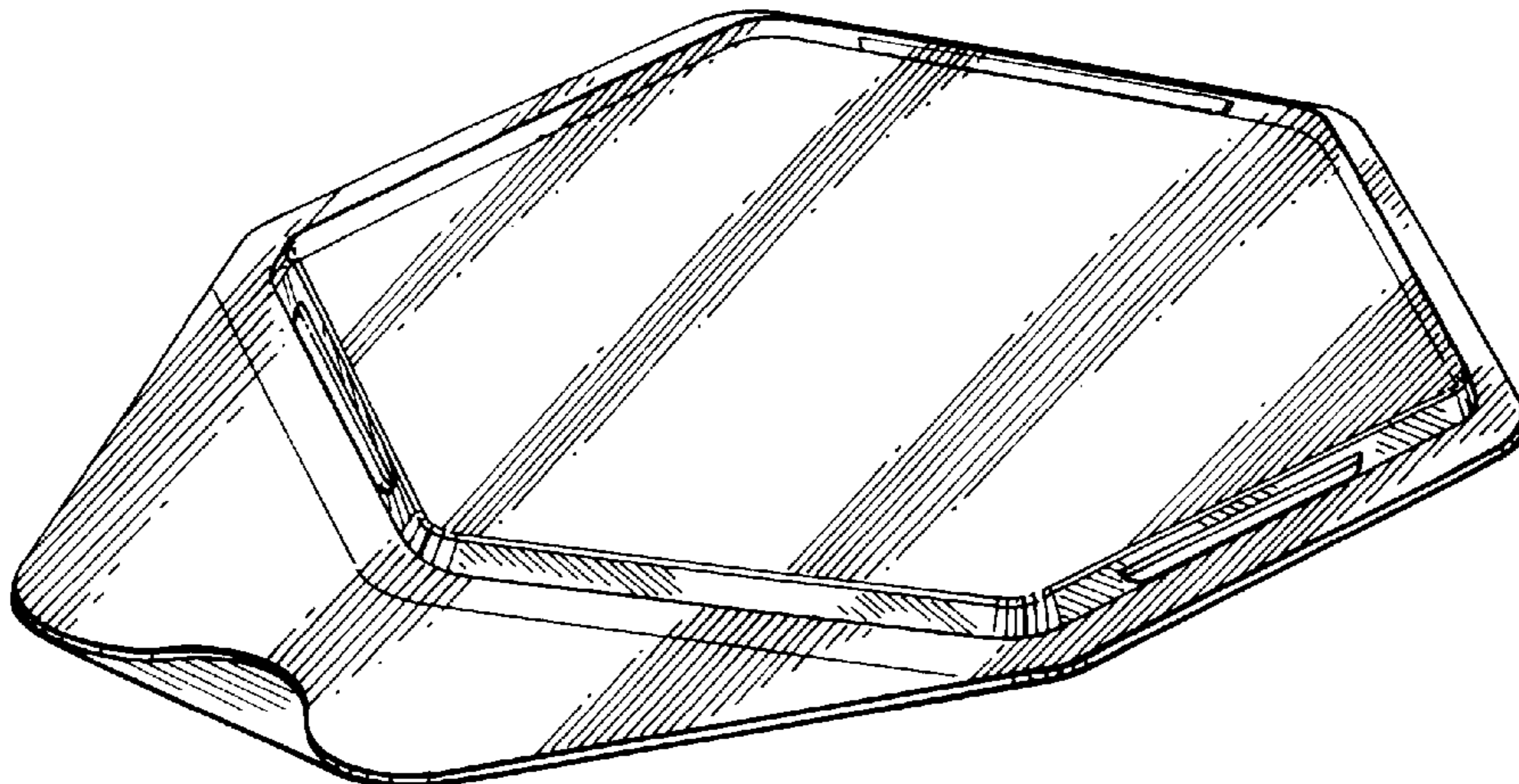


FIG. 1

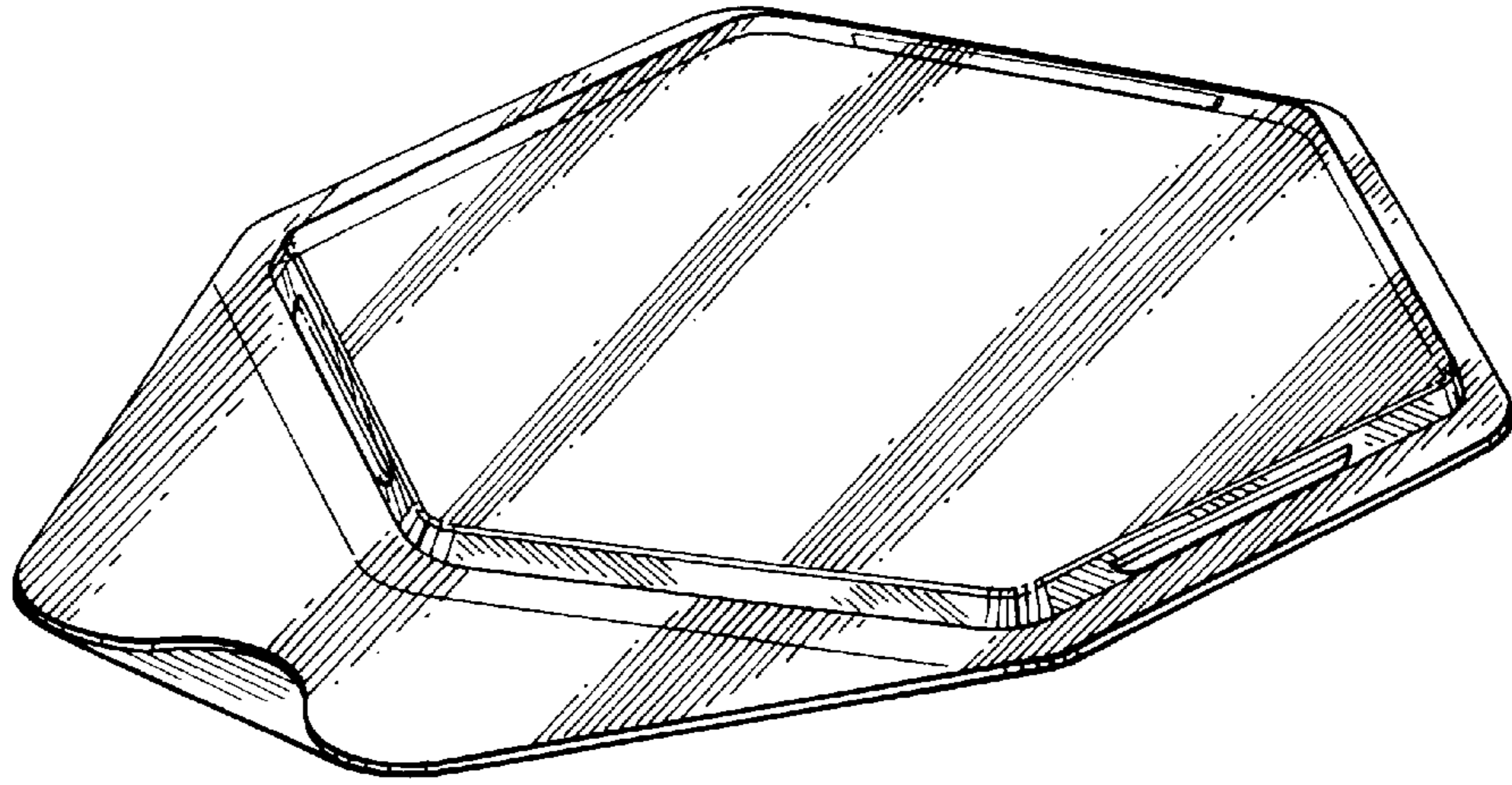


FIG. 2

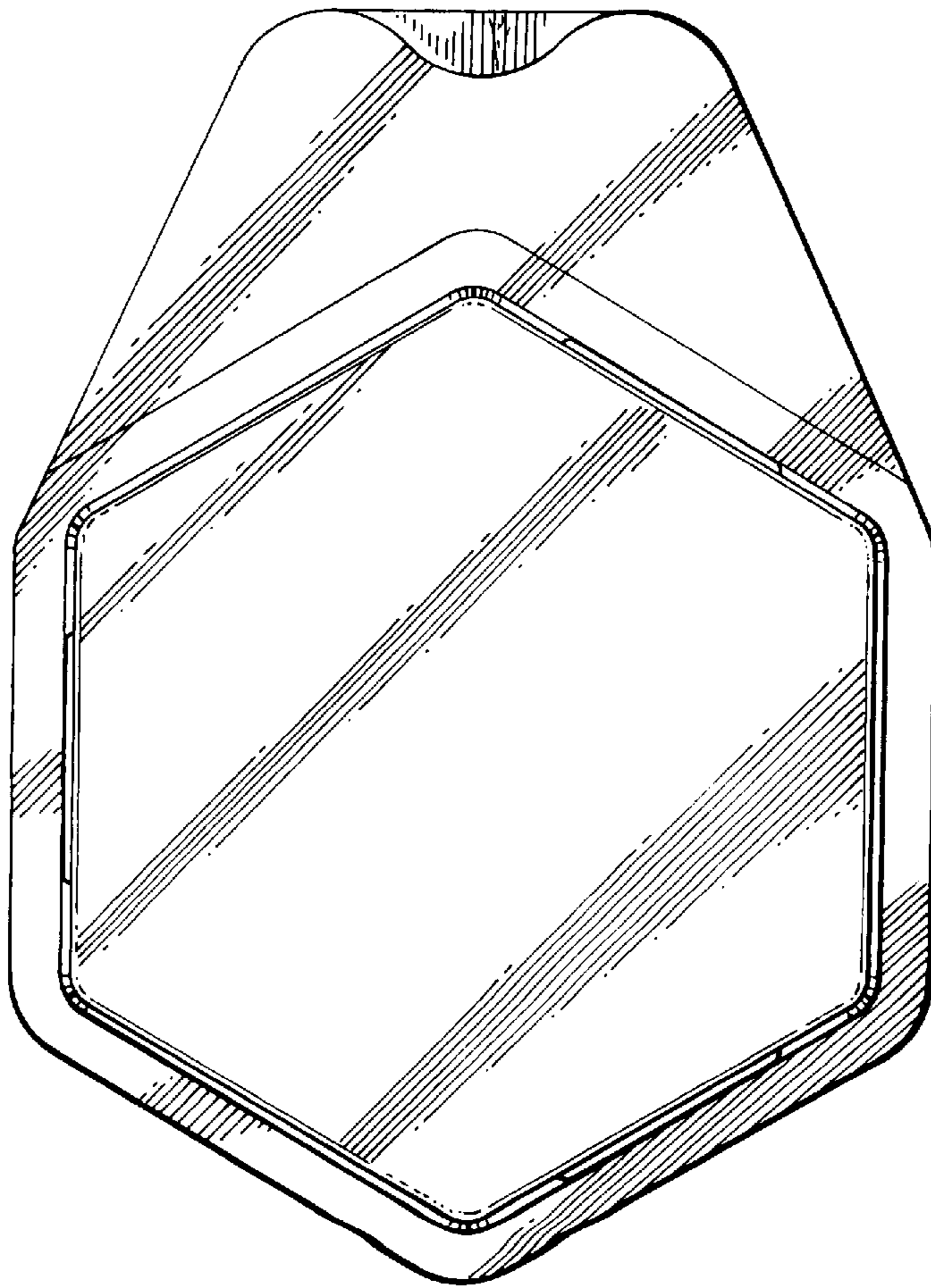


FIG. 3

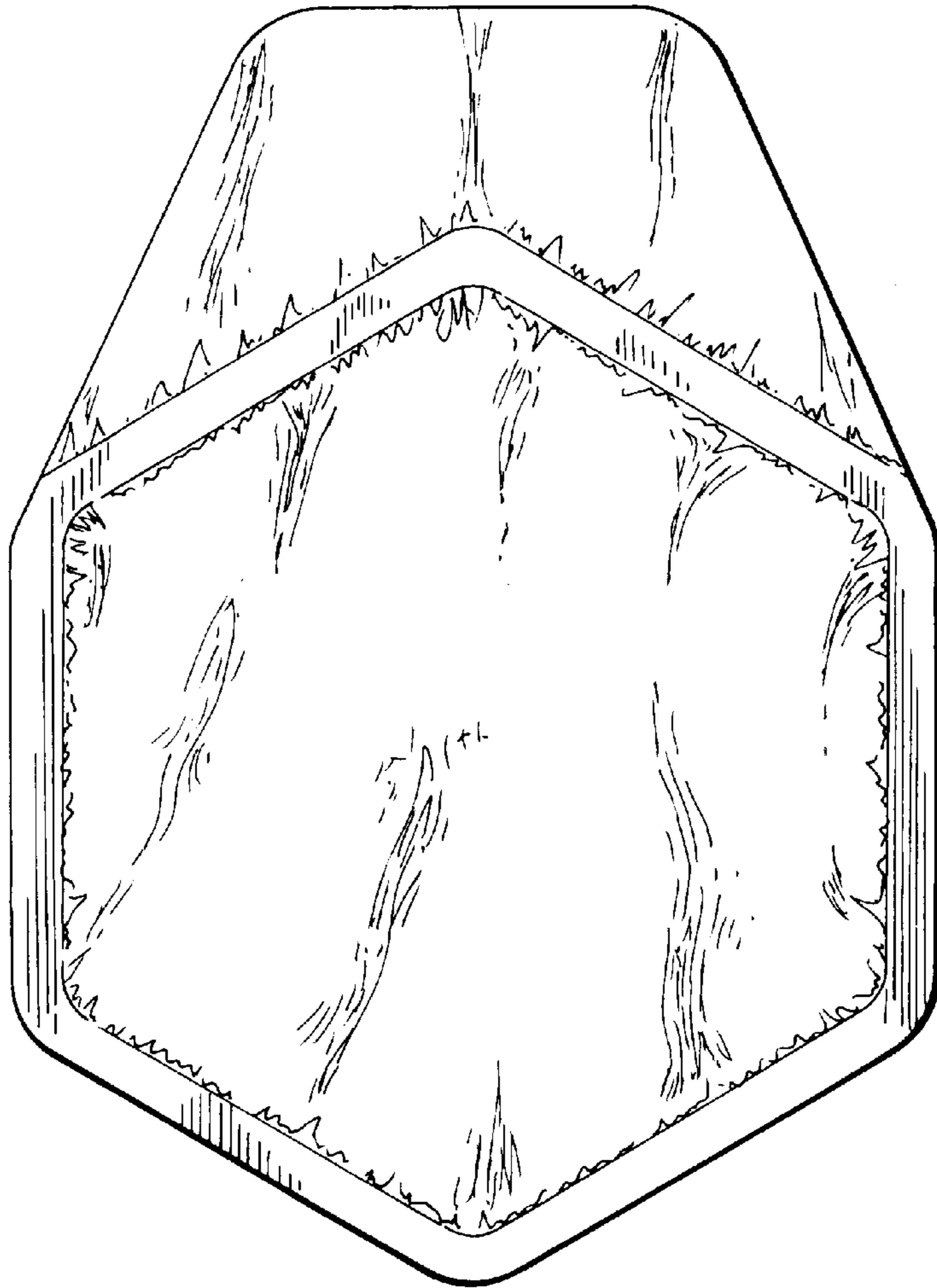


FIG. 4

