



US00D437216S

(12) **United States Design Patent**
Saputo et al.

(10) **Patent No.:** **US D437,216 S**

(45) **Date of Patent:** **** Feb. 6, 2001**

(54) **DISPLAY PACKAGE FOR LOCKSET**

(75) Inventors: **Brian P. Saputo**, Los Angeles; **Stanley E. Dunford**, Irvine; **William E. Limmer**, Los Alamitos, all of CA (US); **William H. Valls**, Harwinton, CT (US); **Robert W. Wilson**, Bishop, CA (US); **Frank Sterpka**, West Hartford; **Richard B. Droller**, New Hartford, both of CT (US)

(73) Assignee: **Emhart Inc.**, Newark, DE (US)

(**) Term: **14 Years**

(21) Appl. No.: **29/100,764**

(22) Filed: **Feb. 17, 1999**

Related U.S. Application Data

(62) Division of application No. 29/069,491, filed on Apr. 21, 1997.

(51) **LOC (7) Cl.** **09-07**

(52) **U.S. Cl.** **D9/415; D9/418**

(58) **Field of Search** D9/414, 415, 418,
D9/337, 341, 347; 206/461-471, 806, 495,
320, 321, 349, 775-783

(56) **References Cited**

U.S. PATENT DOCUMENTS

D. 281,227 * 11/1985 Okano D9/415 X

D. 386,405	*	11/1997	Bernstein et al.	D9/415
D. 405,370	*	2/1999	Humphrey	D9/418
D. 406,056	*	2/1999	Flores et al.	D9/415
2,884,127	*	4/1959	Neary	206/462
3,861,528	*	1/1975	Damuth	206/463
4,307,803	*	12/1981	Johnson	206/461
5,064,056	*	11/1991	Gresh	206/321
5,129,516	*	7/1992	Theros	206/463
5,358,113	*	10/1994	Hellenbrand	206/471 X

OTHER PUBLICATIONS

Modern Packaging, p. 334, Jan. 1963.*

* cited by examiner

Primary Examiner—Prabhakar Deshmukh

(74) *Attorney, Agent, or Firm*—Charles E. Yocum; John D. Del Ponti

(57) **CLAIM**

The ornamental design for a display package for lockset, as shown and described.

DESCRIPTION

FIG. 1 is a perspective view of a display package for lockset showing our new design;
FIG. 2 is a top plan view thereof;
FIG. 3 is a front elevational view thereof;
FIG. 4 is a bottom plan view thereof;
FIG. 5 is a rear elevational view thereof;
FIG. 6 is a left side elevational view thereof; and,
FIG. 7 is a right side elevational view thereof.

1 Claim, 4 Drawing Sheets

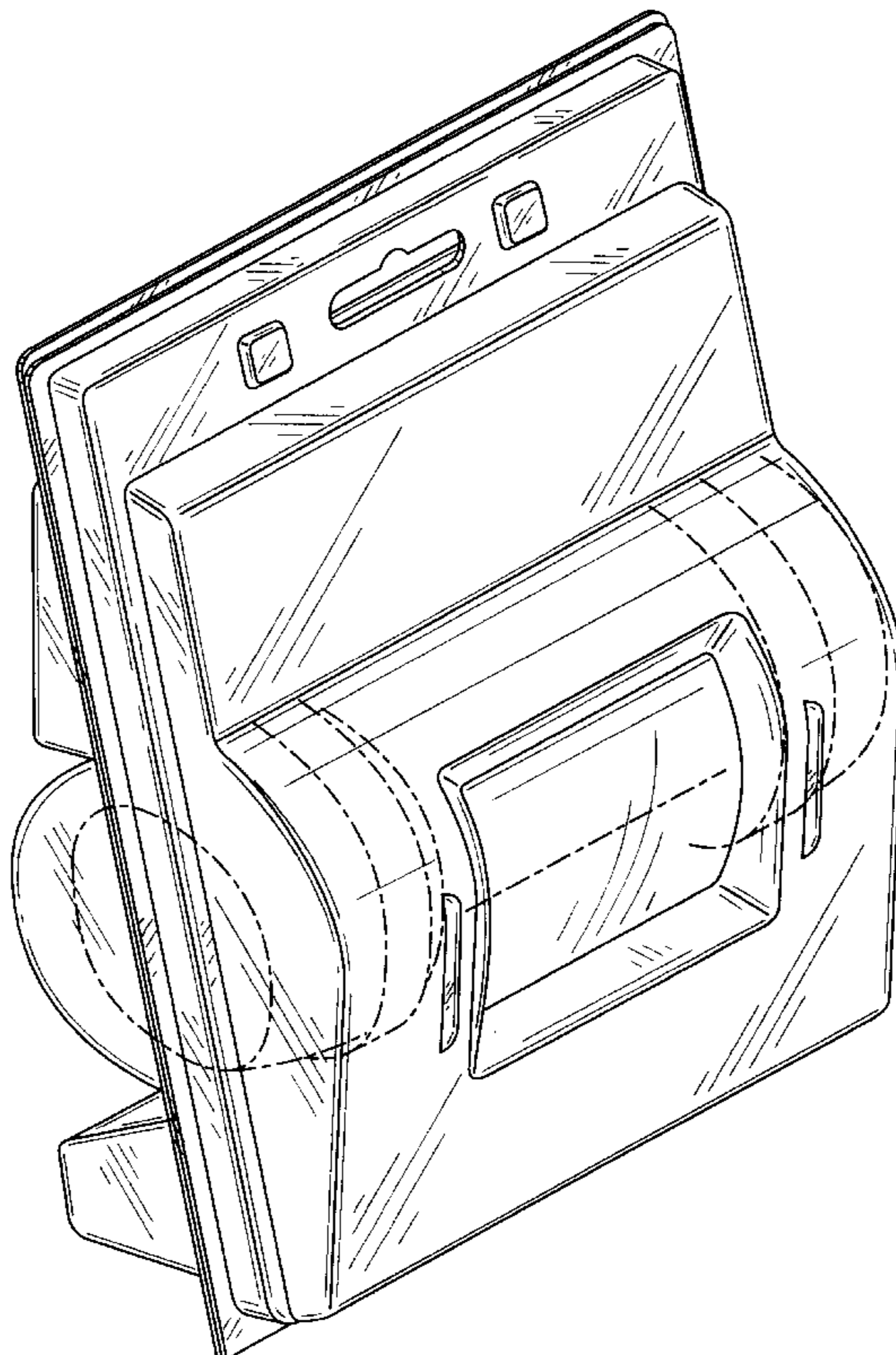


FIG. 1

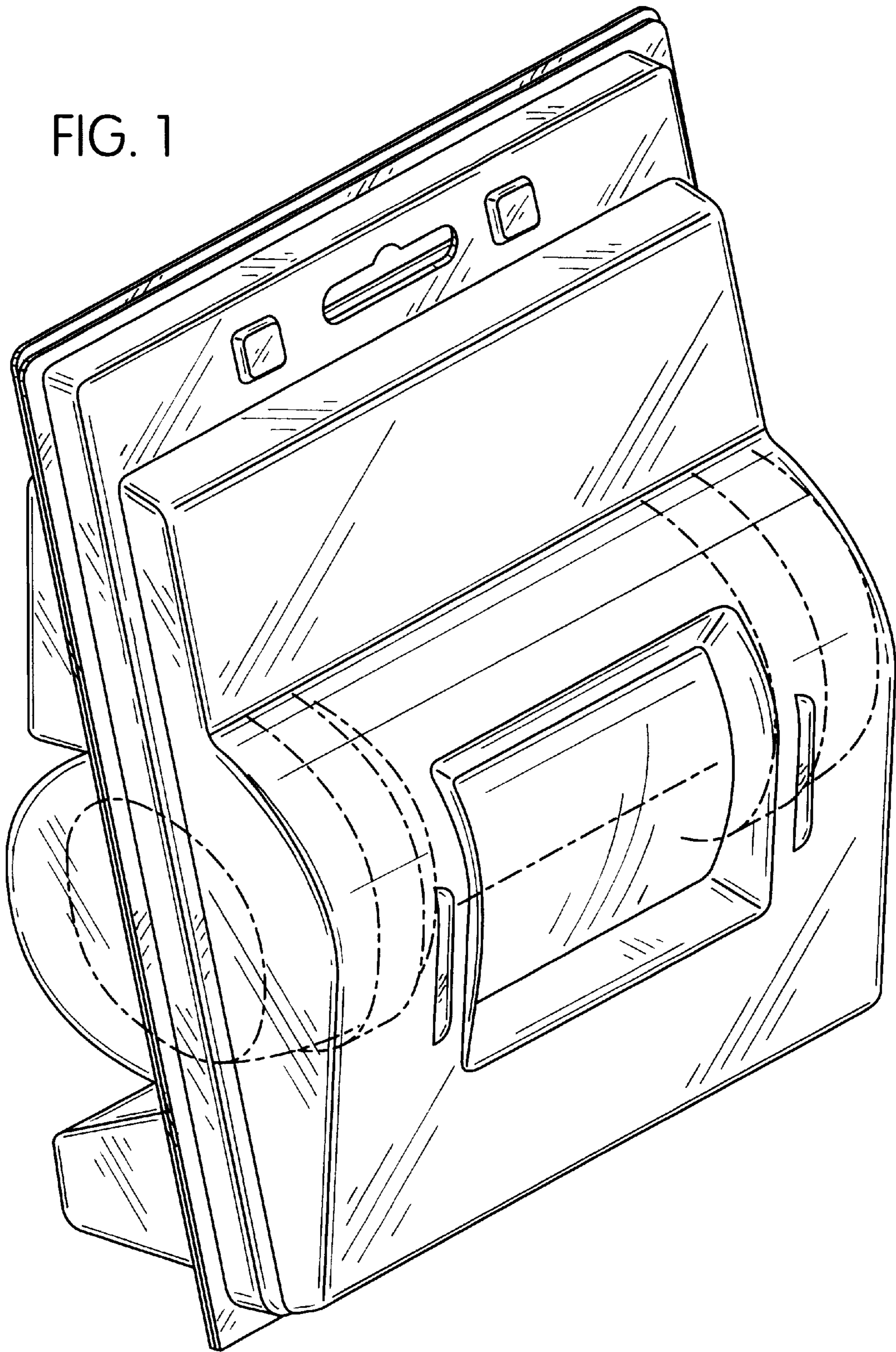


FIG. 2

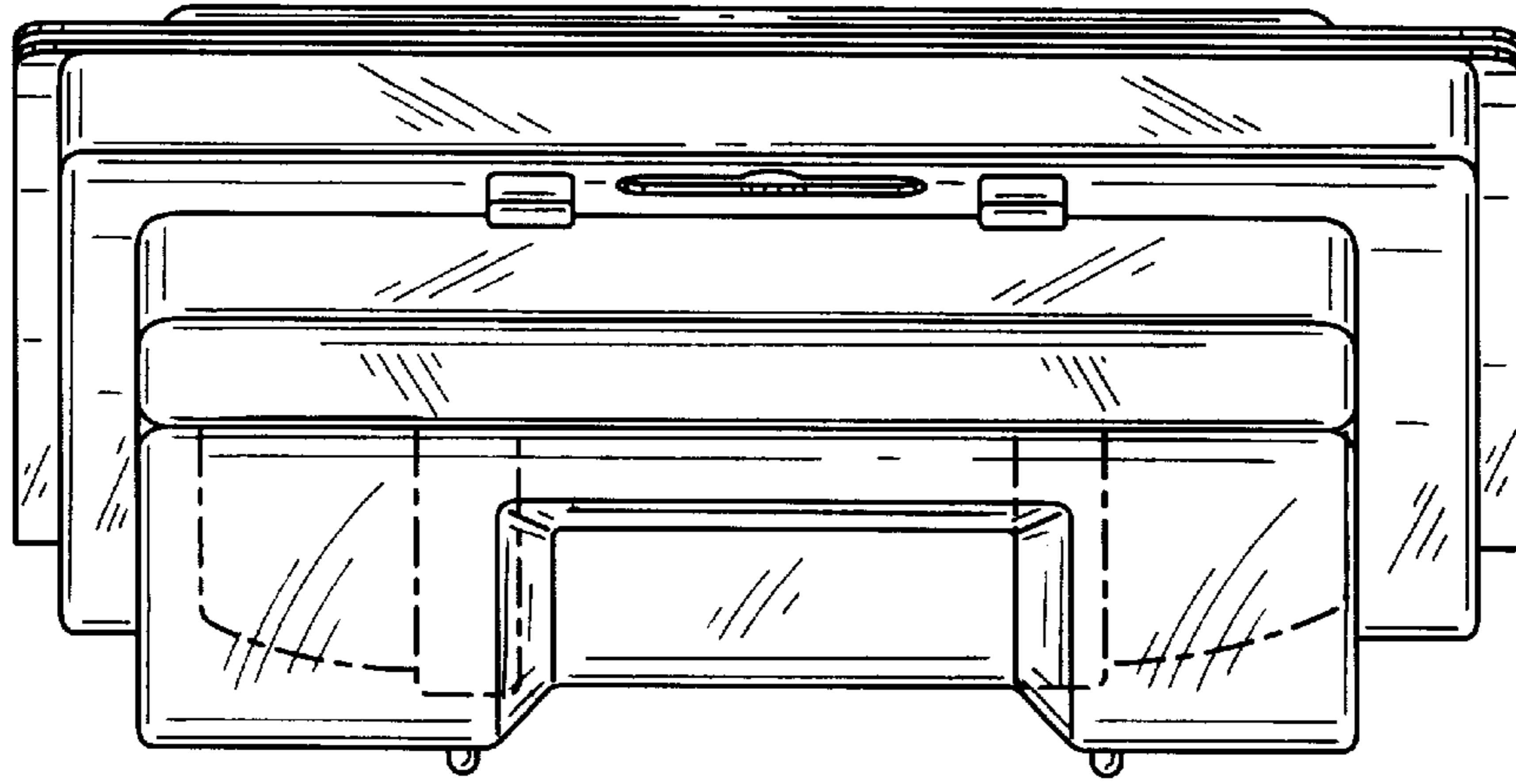


FIG. 3

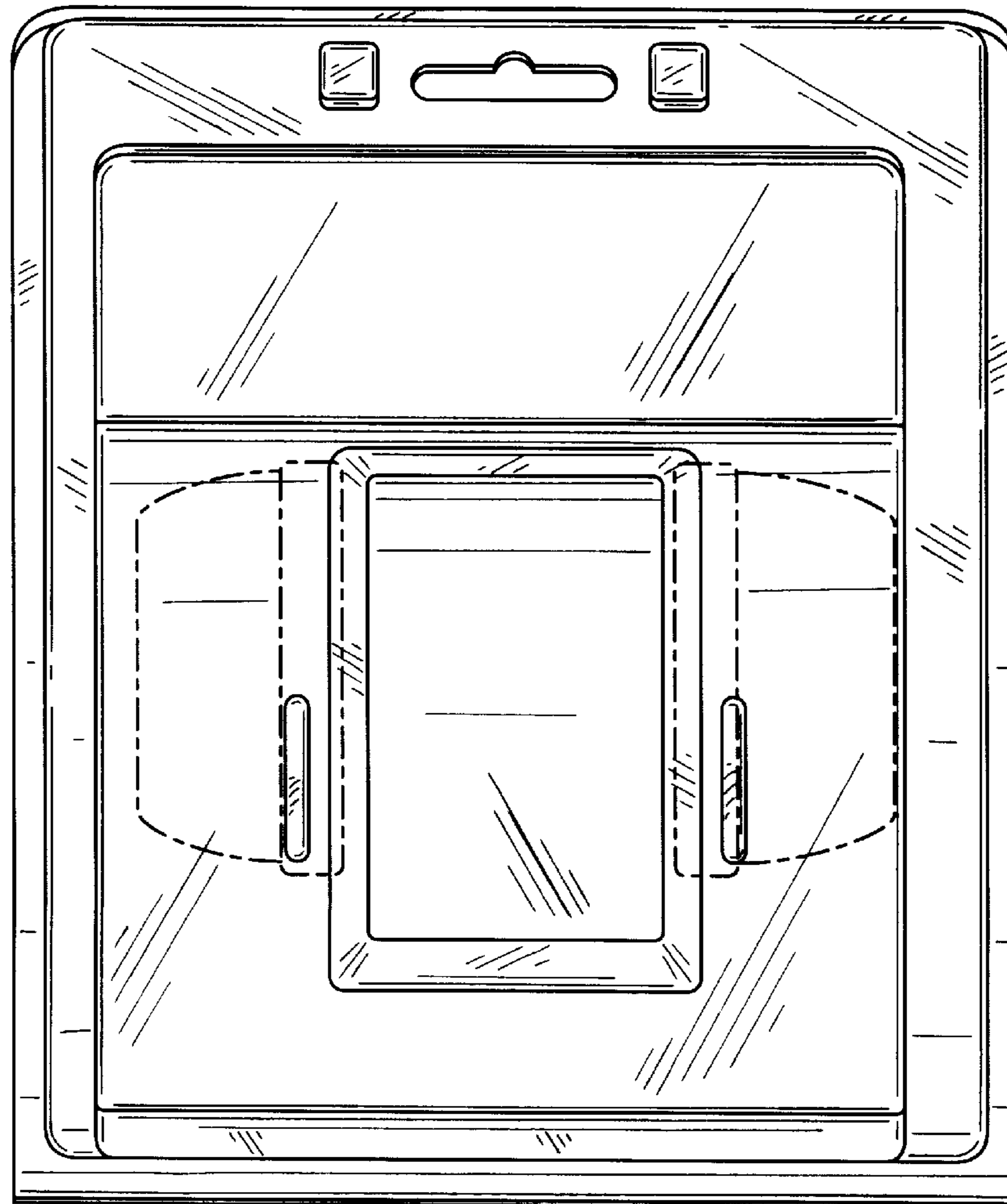


FIG. 4

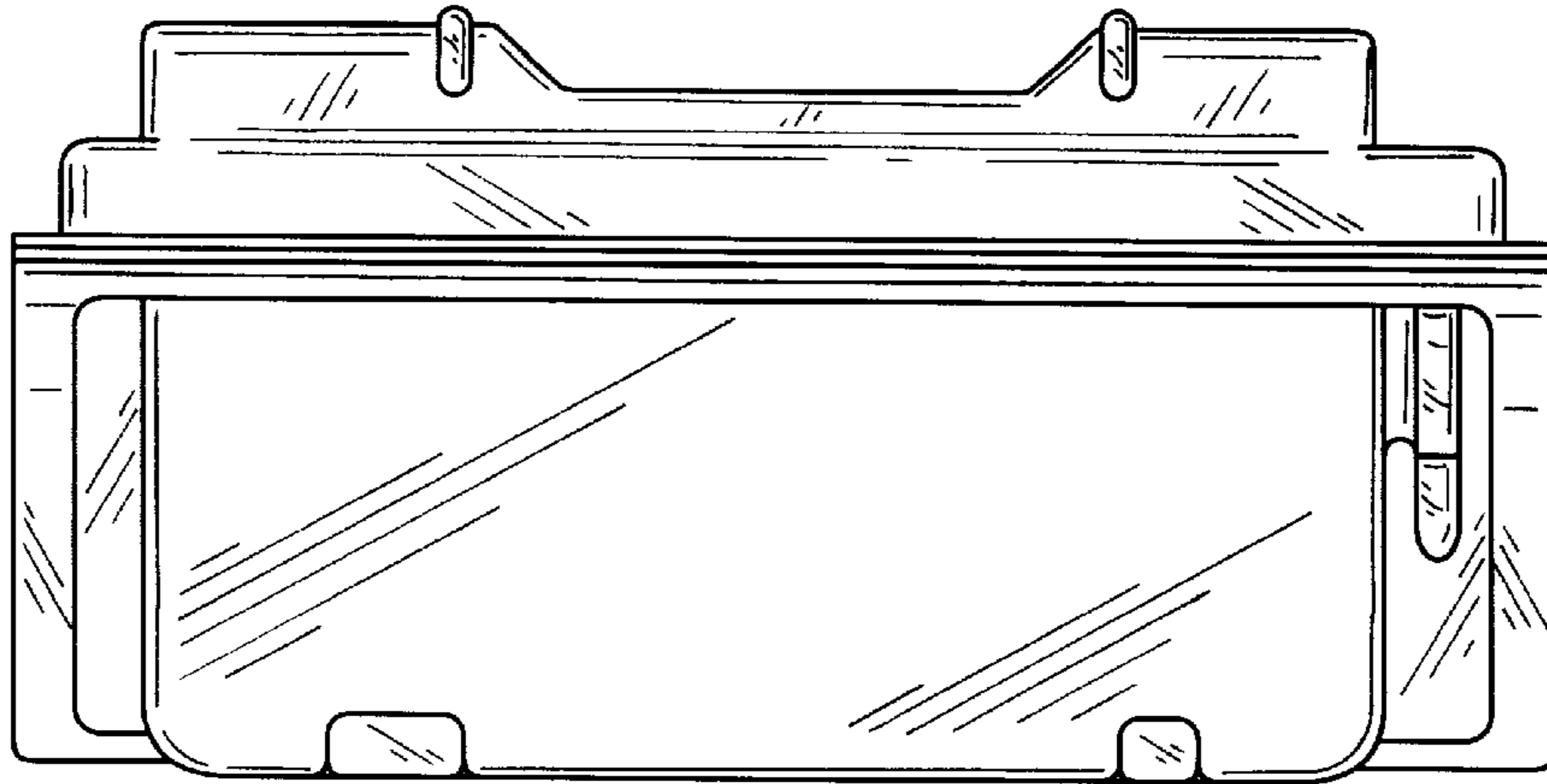
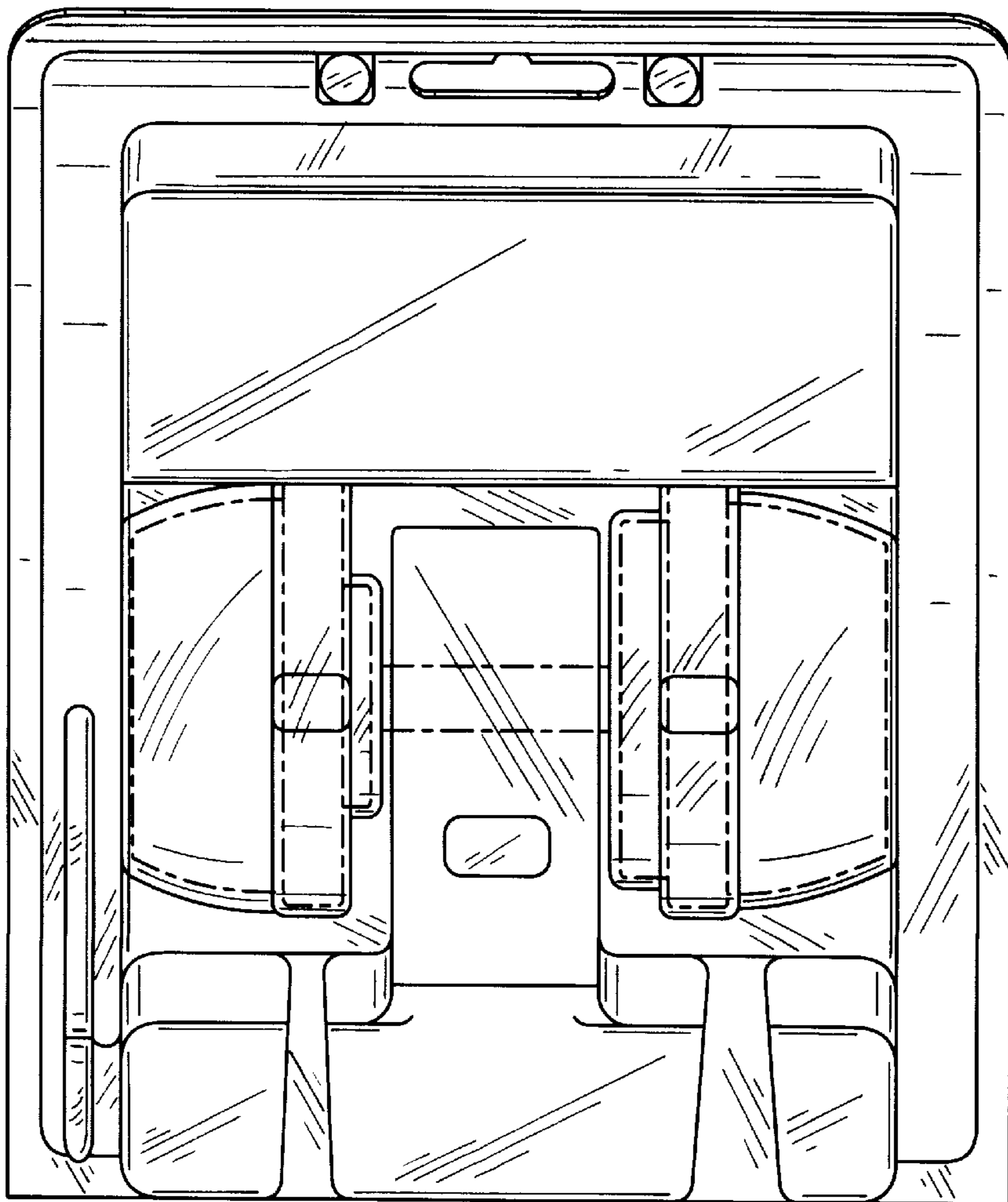


FIG. 5



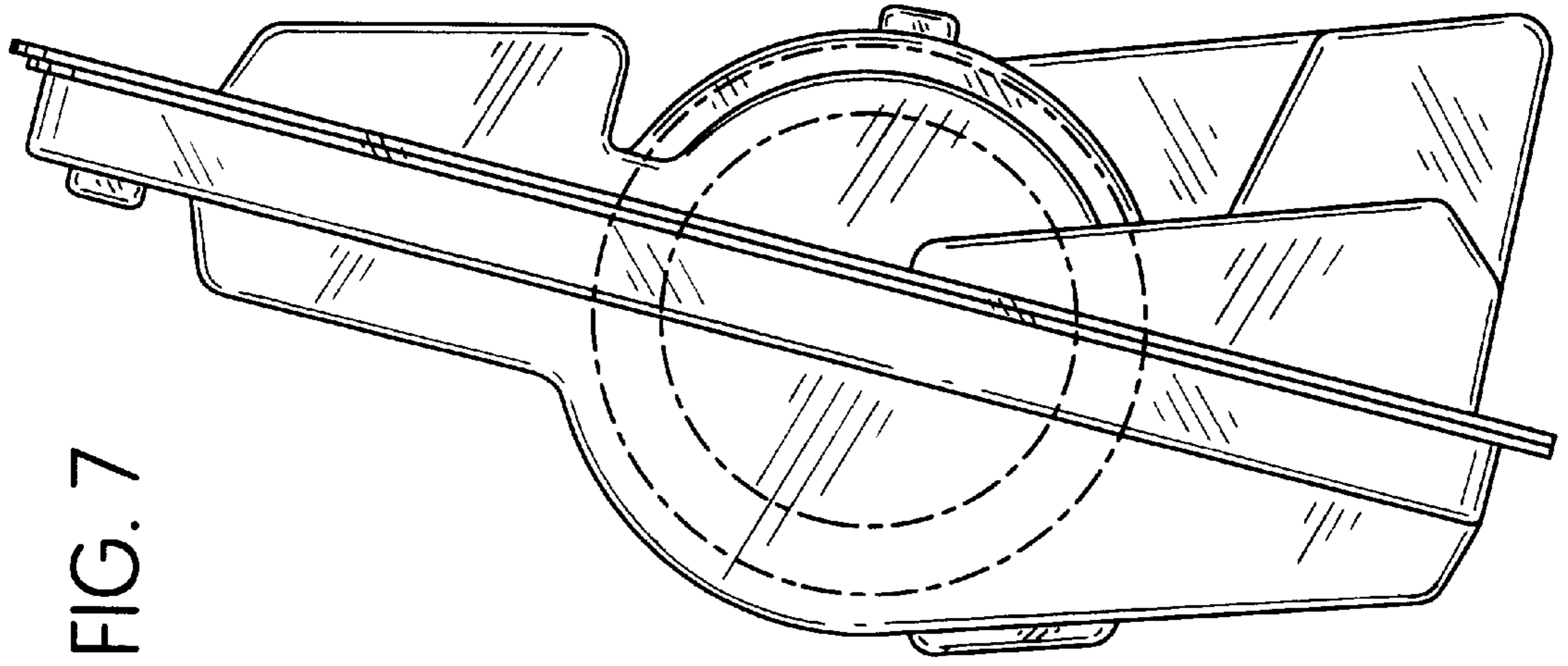


FIG. 7

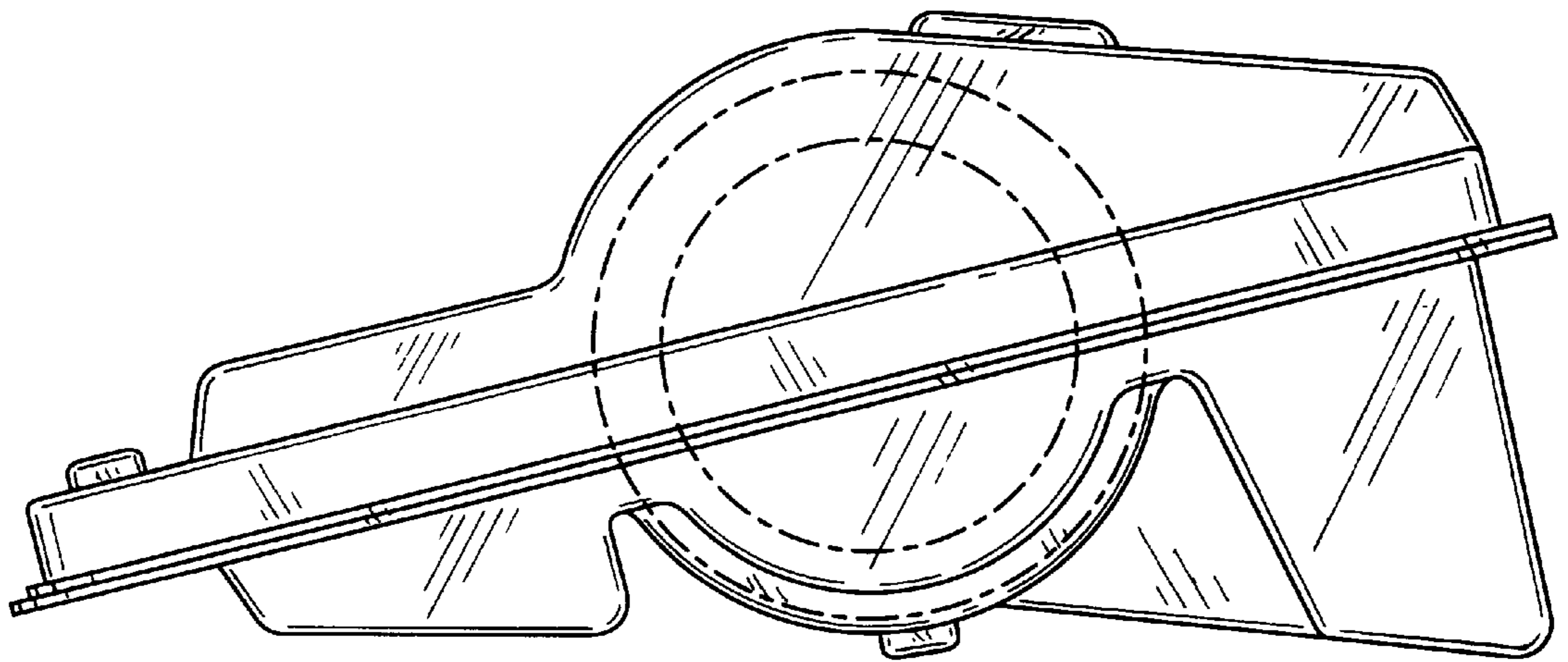


FIG. 6