



US00D437211S

(12) **United States Design Patent**
Pamer et al.

(10) **Patent No.:** **US D437,211 S**

(45) **Date of Patent:** **** Feb. 6, 2001**

(54) **SELF-PIERCING CLINCH NUT**

5,196,423 * 3/1993 Ewing 411/432

5,340,251 8/1994 Takahashi et al. 411/179

5,549,430 8/1996 Takahashi et al. 411/179

(75) Inventors: **W. Richard Pamer**, Macedonia;
Stanley H. Umbel, Windham, both of
OH (US)

OTHER PUBLICATIONS

SPAC HGL, Nut Specifications, by R B & W Corporation,
Form SP325C009, Rev. Oct. 8, 1996.

SPAC HGLB, Nut Specifications, by R B & W Corporation,
Form SP325C010, Rev. Oct. 8, 1996.

(73) Assignee: **R B & W Corporation**, Kent, OH
(US)

(**) Term: **14 Years**

* cited by examiner

(21) Appl. No.: **29/102,399**

Primary Examiner—B. J. Bullock

(22) Filed: **Mar. 24, 1999**

(74) *Attorney, Agent, or Firm*—Pearne & Gordon LLP

(51) **LOC (7) Cl.** **08-08**

(57) **CLAIM**

(52) **U.S. Cl.** **D8/397**

(58) **Field of Search** D8/397; 411/427,
411/429, 432, 918, 179, 180

The ornamental design of a self-piercing clinch nut, as
shown and described.

DESCRIPTION

(56) **References Cited**

U.S. PATENT DOCUMENTS

D. 140,317	*	2/1945	Allen .	
D. 186,858	*	12/1959	Reiner	D8/397
2,552,794	*	5/1951	Kimbell .	
3,053,300		9/1962	Quinto .	
3,253,631	*	5/1966	Reusser .	
4,432,681		2/1984	Capuano	411/180
4,543,023		9/1985	Capuano	411/180

FIG. 1 is a perspective view of a self-piercing clinch nut
showing our new design;

FIG. 2 is a top plan view thereof;

FIG. 3 is a vertical cross-sectional view taken in the direc-
tion of the arrows on line 3—3 of FIG. 2;

FIG. 4 is a bottom plan view thereof; and,

FIG. 5 is a side elevational view thereof.

1 Claim, 1 Drawing Sheet

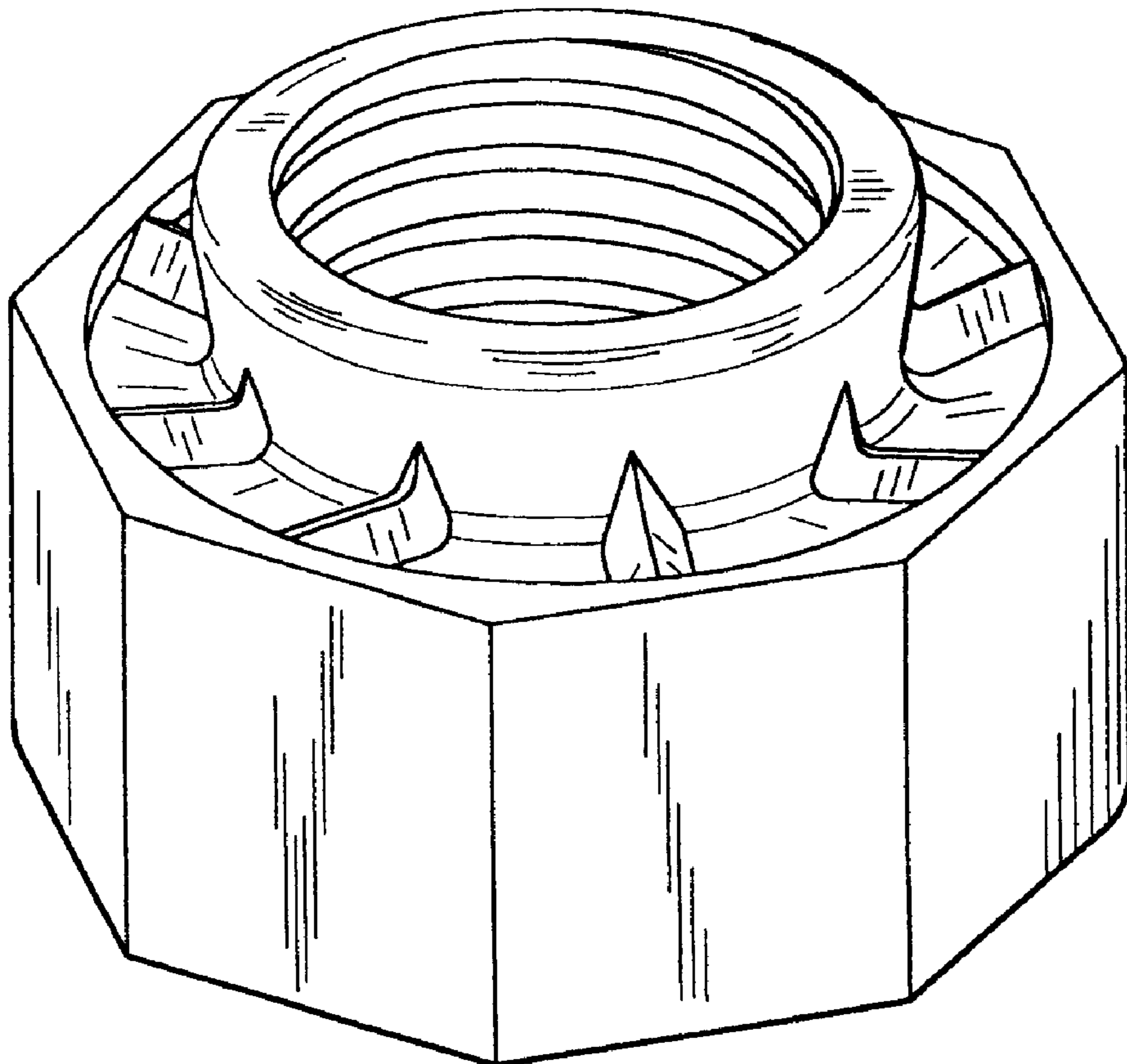


FIG. 1

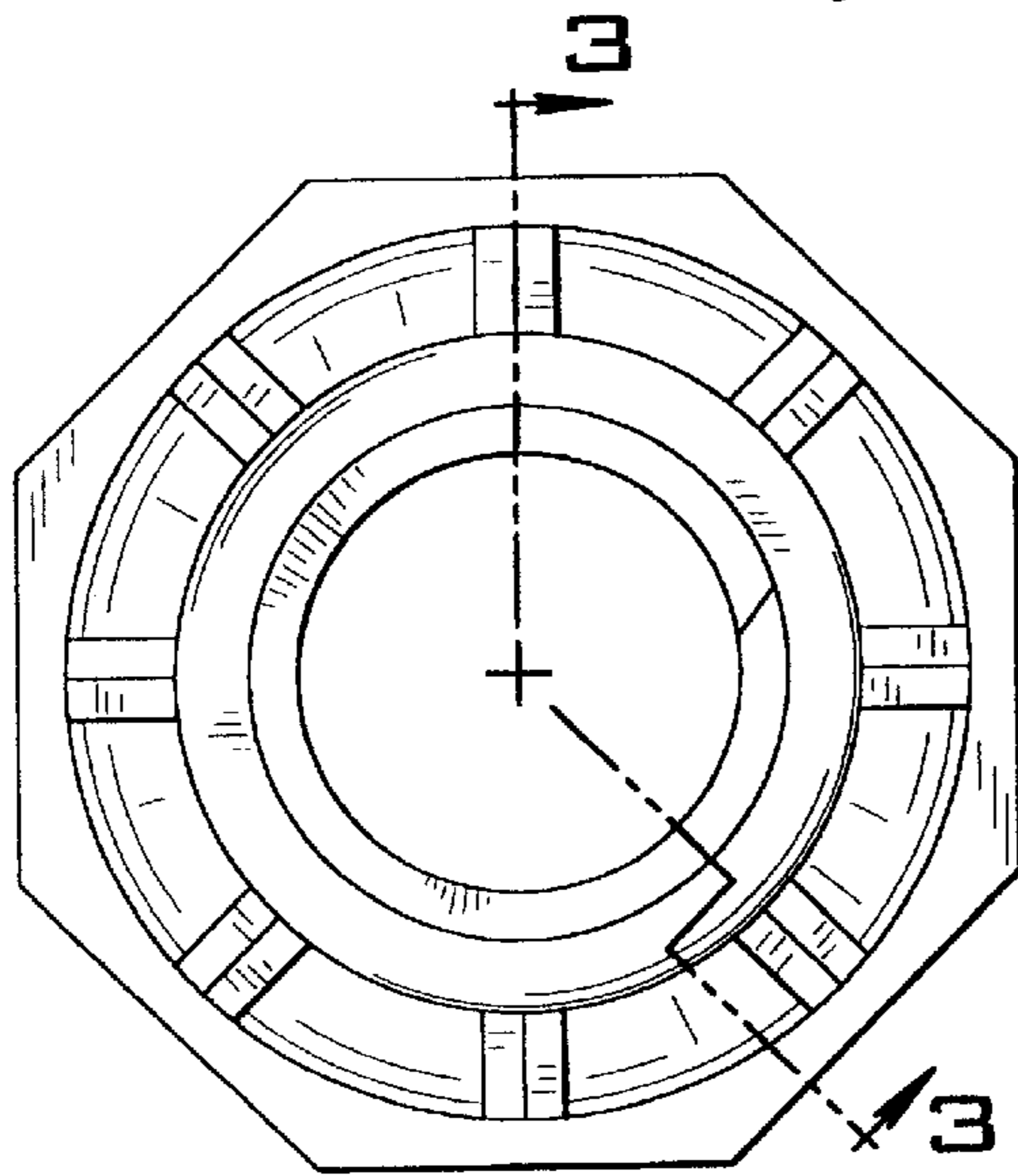
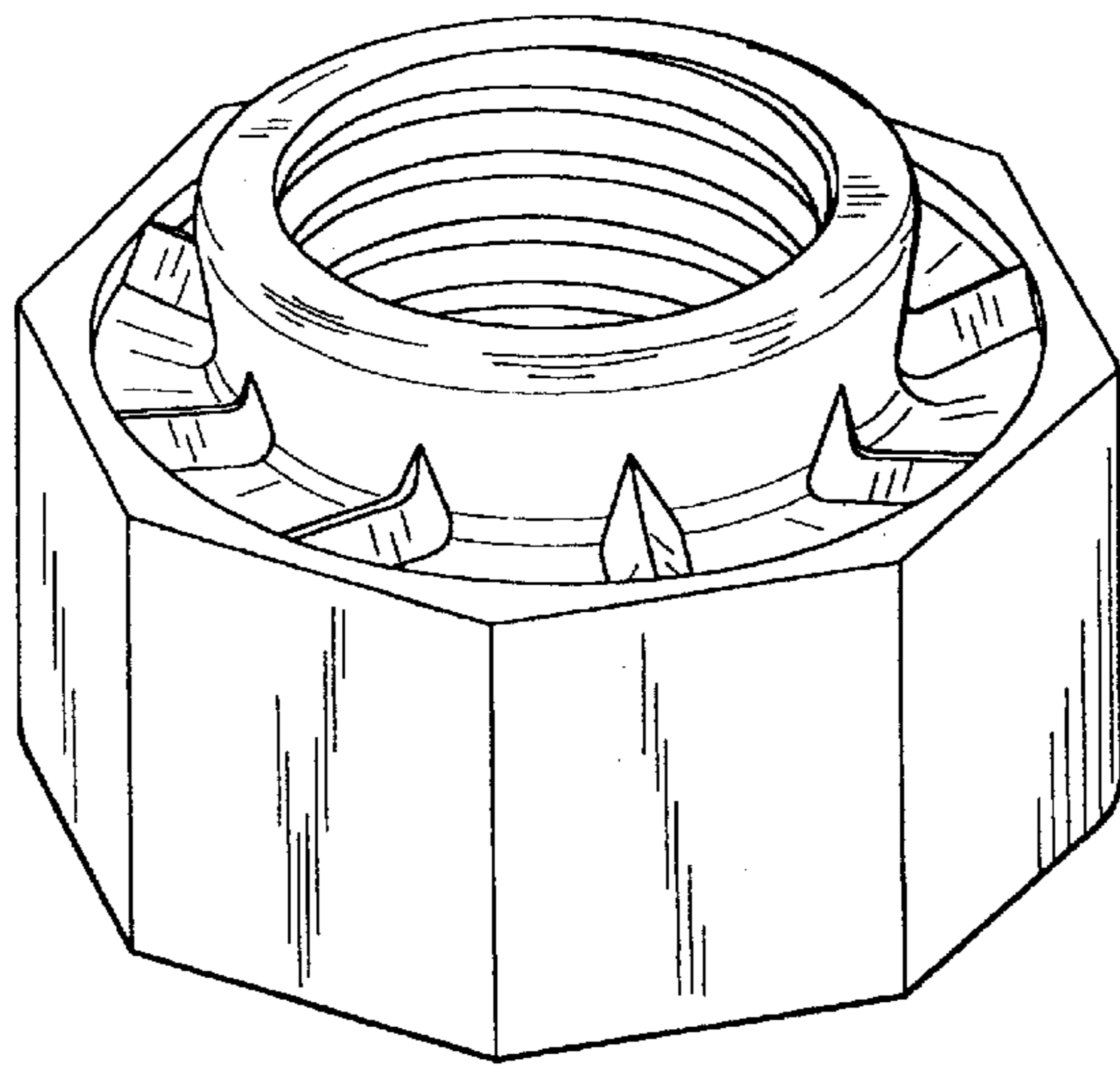


FIG. 2

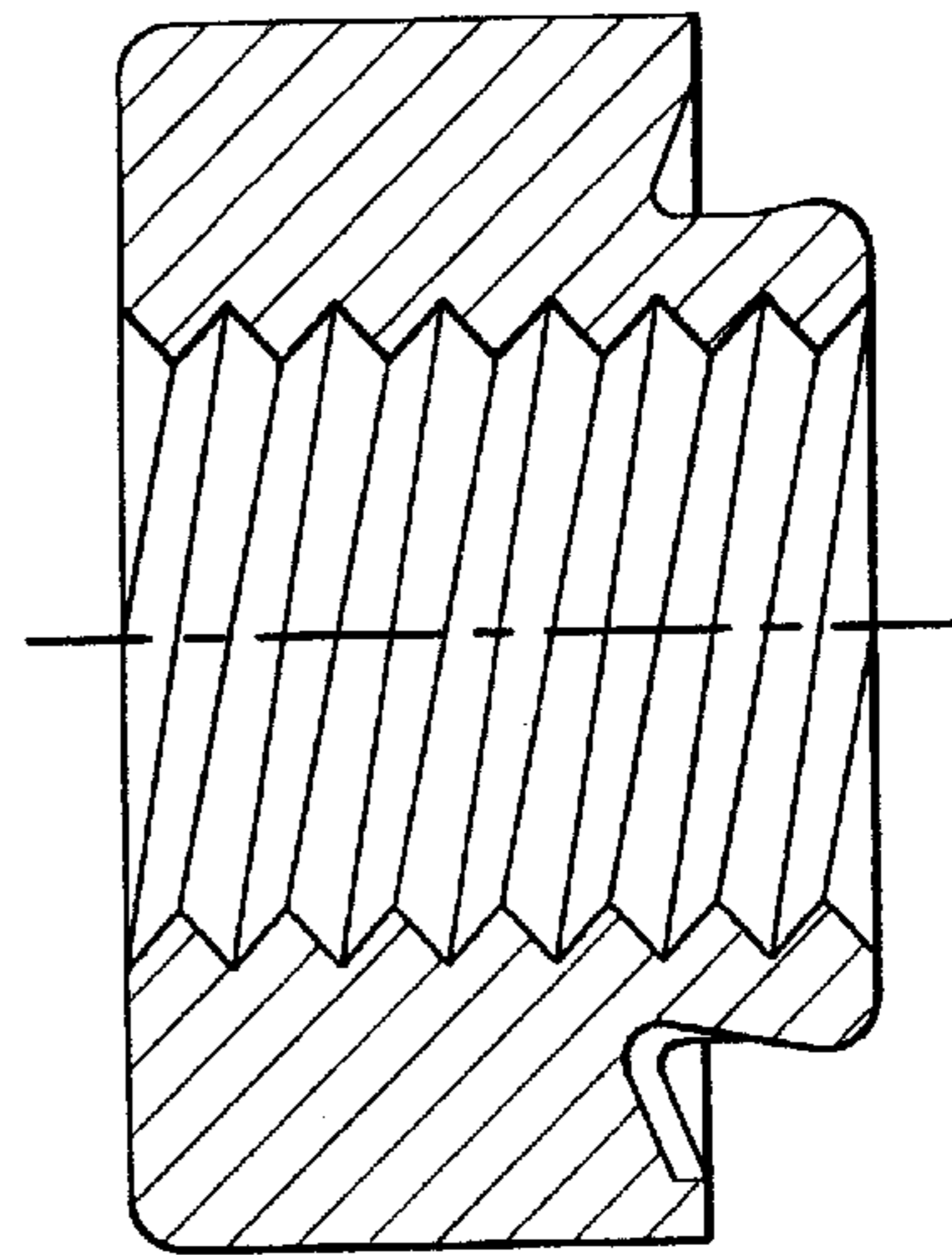


FIG. 3

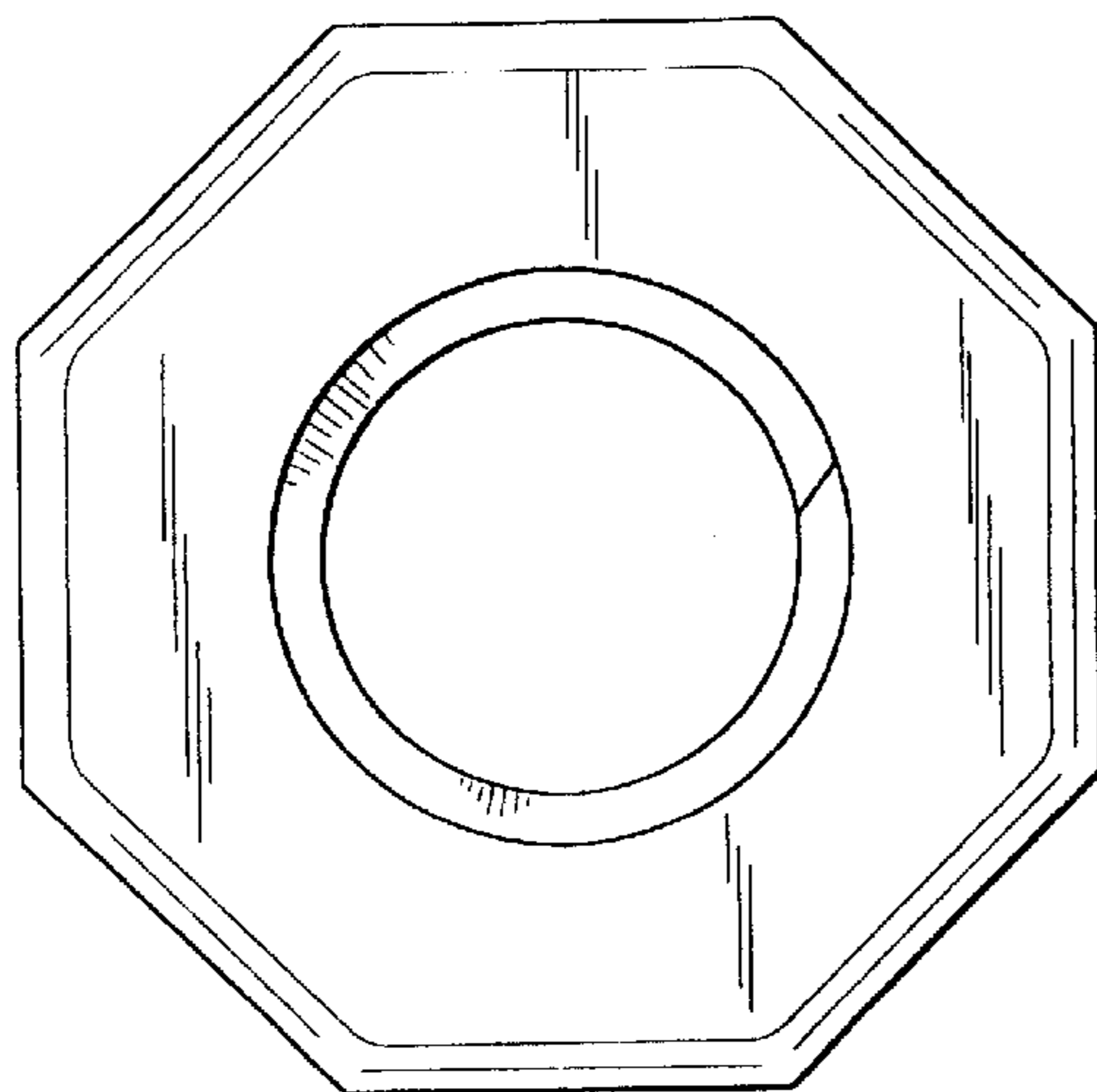


FIG. 4

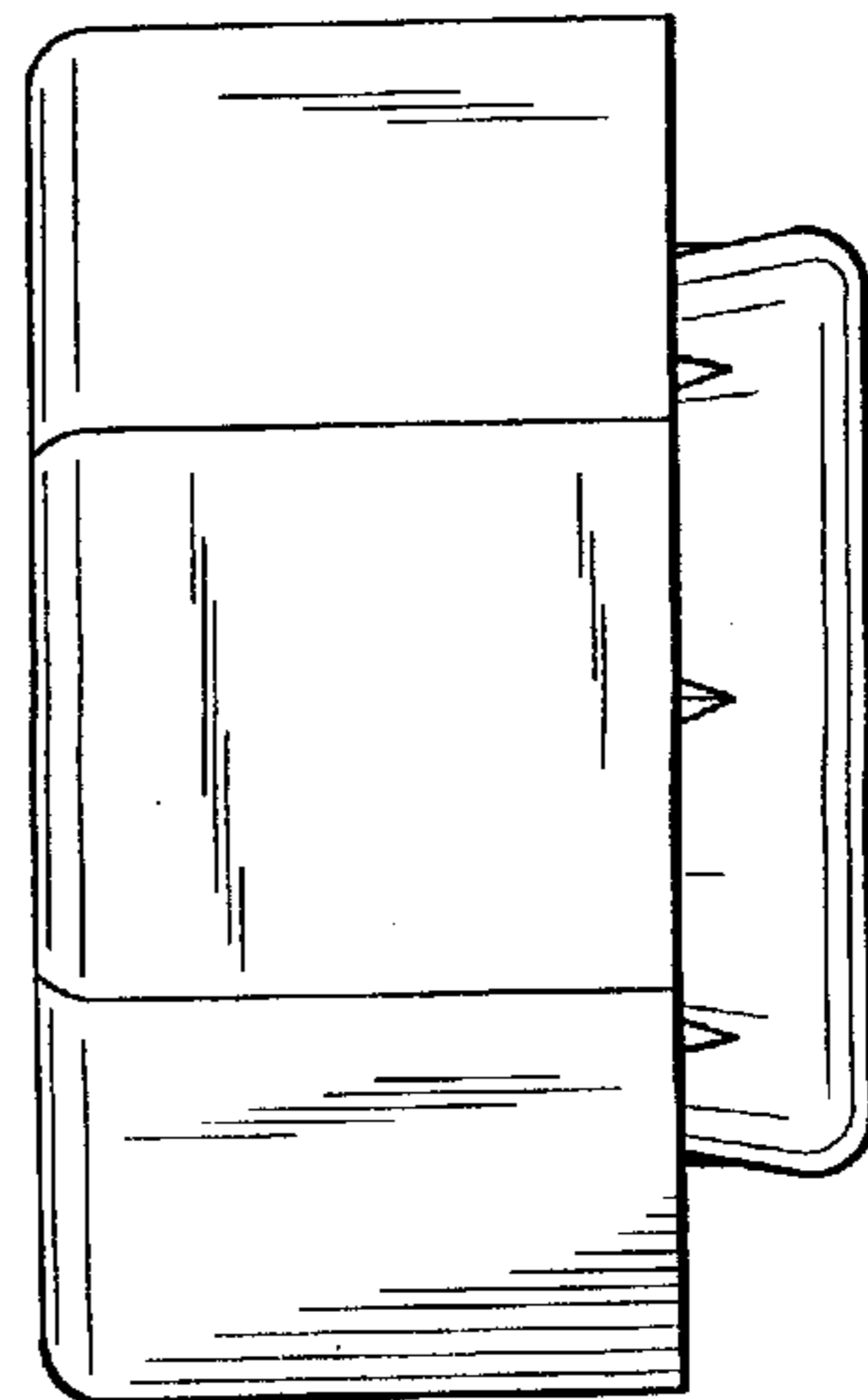


FIG. 5