



US00D437209S

(12) **United States Design Patent**
McDonough et al.

(10) **Patent No.:** **US D437,209 S**

(45) **Date of Patent:** **** Feb. 6, 2001**

(54) **PANEL FASTENER**

(75) Inventors: **William P. McDonough**, Royersford;
Craig Link, Perkasio, both of PA (US)

(73) Assignee: **Penn Engineering & Manufacturing Corp.**, Danboro, PA (US)

(**) Term: **14 Years**

(21) Appl. No.: **29/101,563**

(22) Filed: **Mar. 4, 1999**

(51) **LOC (7) Cl.** **08-08**

(52) **U.S. Cl.** **D8/387**

(58) **Field of Search** D8/310, 312, 382,
D8/387, 347, 394, 397; 411/5, 103, 107,
108, 349, 350, 352, 353, 366, 367, 222,
500; 248/501

(56) **References Cited**

U.S. PATENT DOCUMENTS

D. 283,591	*	4/1986	Swanstrom	D8/387
D. 372,857	*	8/1996	Hirai	D8/387
D. 388,316	*	12/1997	McDonough et al.	D8/387
D. 400,430	*	11/1998	McDonough et al.	D8/387
3,126,935	*	3/1964	Tuozzo	411/352
3,896,867	*	7/1975	Gill et al.	411/353
4,387,497	*	6/1983	Gulistan	411/107
4,396,327	*	8/1983	Menke	411/103

5,741,101	*	4/1998	Gulistan	411/107
5,851,095	*	12/1998	Ellis et al.	411/353
6,033,168	*	3/2000	Creely, III et al.	411/107
6,039,525	*	3/2000	Johnson	411/353

* cited by examiner

Primary Examiner—Alan P. Douglas

Assistant Examiner—Reid Hecker

(74) *Attorney, Agent, or Firm*—Gregory J. Gore

(57) **CLAIM**

The ornamental design for a panel fastener, as shown and described.

DESCRIPTION

FIG. 1 is a top and front perspective view of the panel fastener;

FIG. 2 is a bottom and front perspective view thereof;

FIG. 3 is a top plan view thereof;

FIG. 4 is a side elevational view thereof;

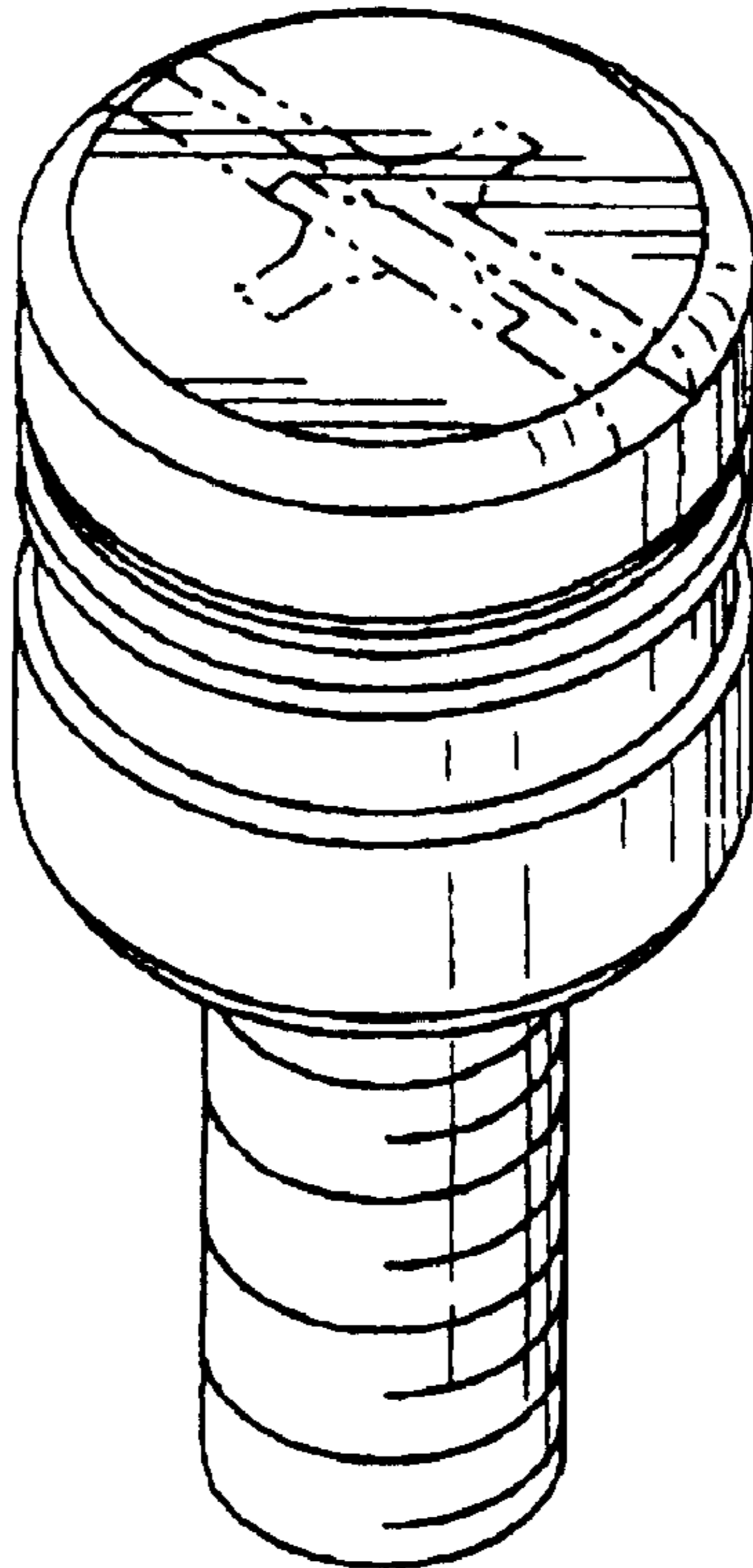
FIG. 5 is a bottom plan view thereof; and,

FIG. 6 is a top and front perspective view thereof in its retracted state.

The broken line showing of driver recesses in FIGS. 1, 3, and 6 is for illustrative purposes only and forms no part of the claimed design.

The symbolic representation of standard screw threads in FIGS. 1, 2, 4, and 6 is used for convenience of illustration.

1 Claim, 2 Drawing Sheets



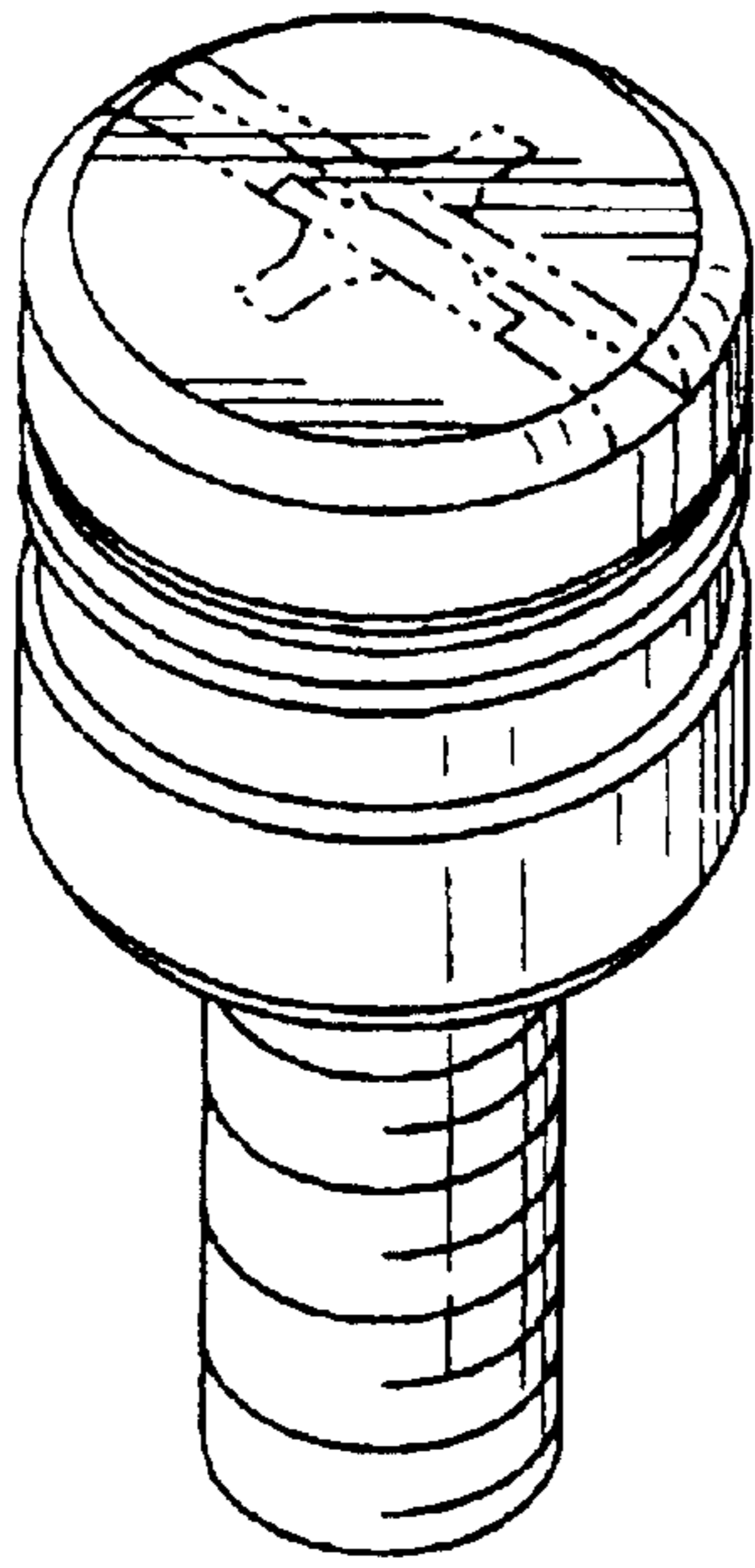


FIG. 1

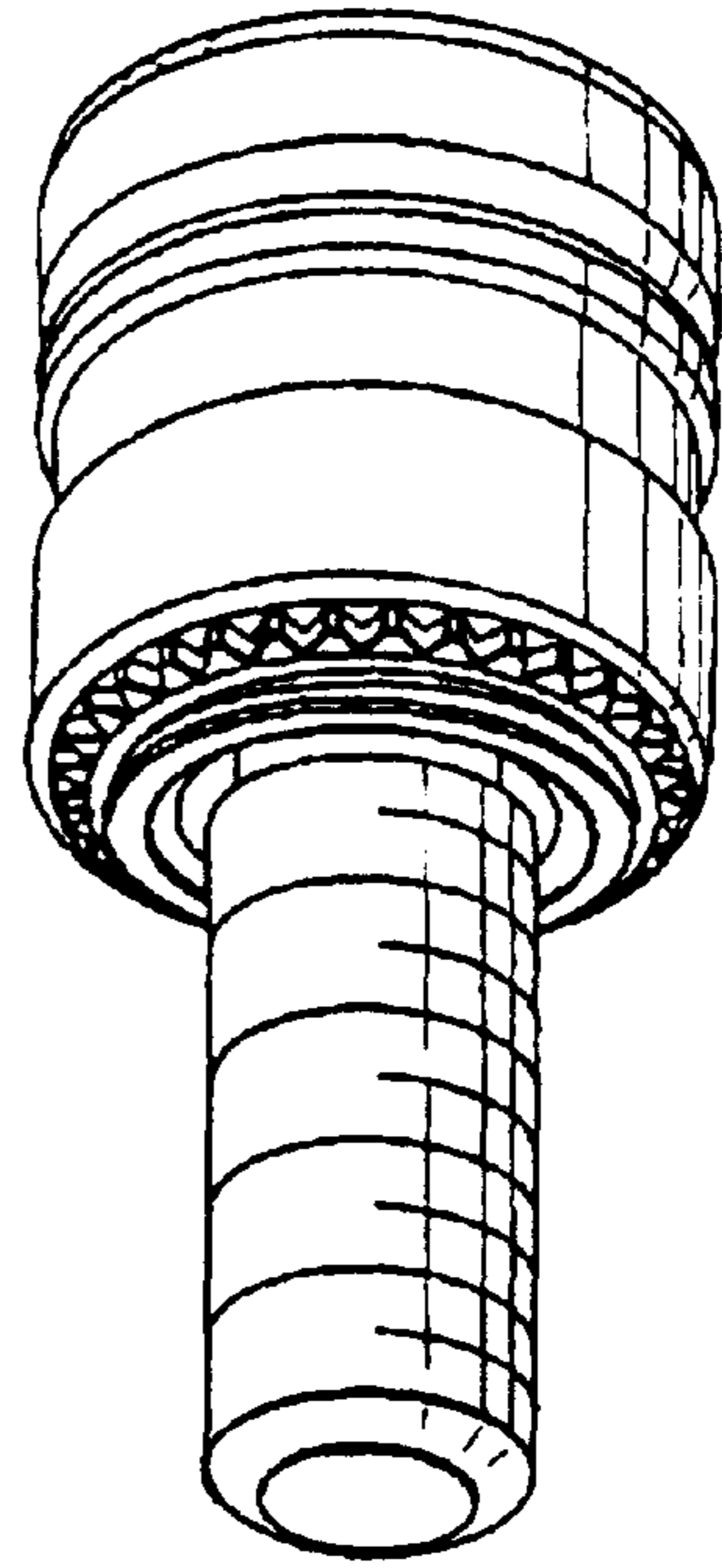


FIG. 2

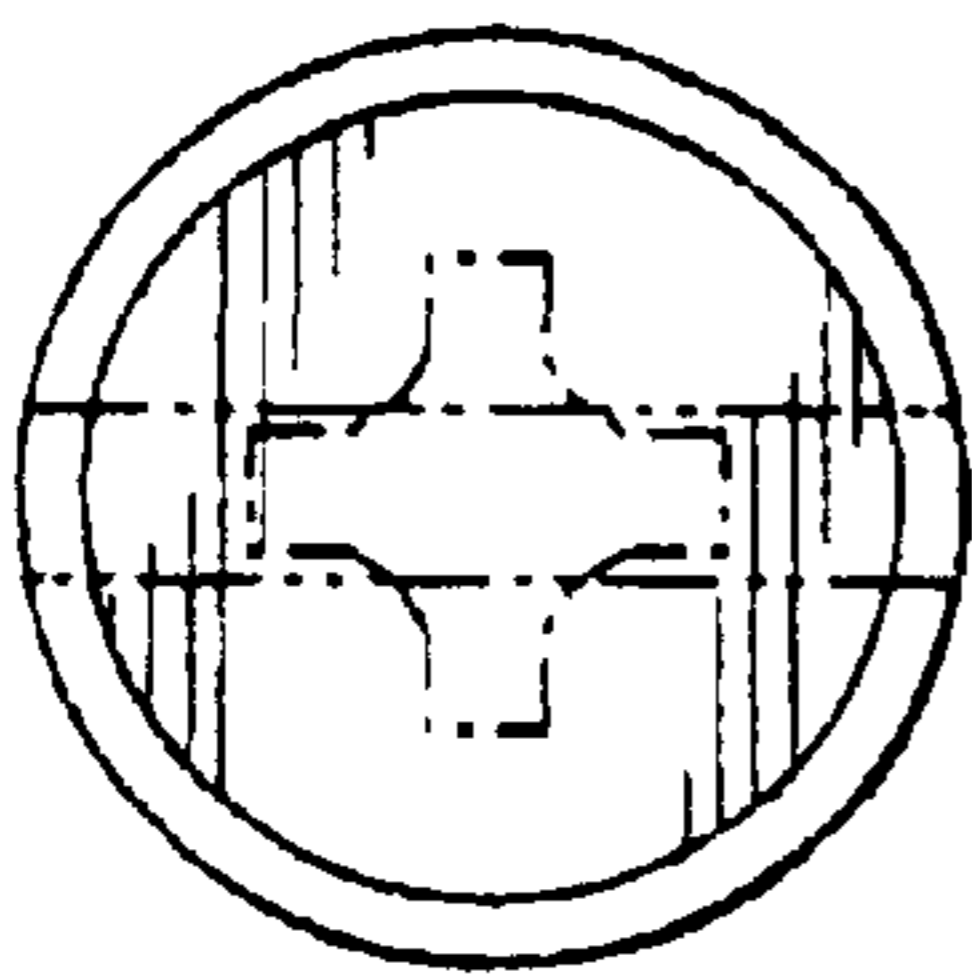


FIG. 3

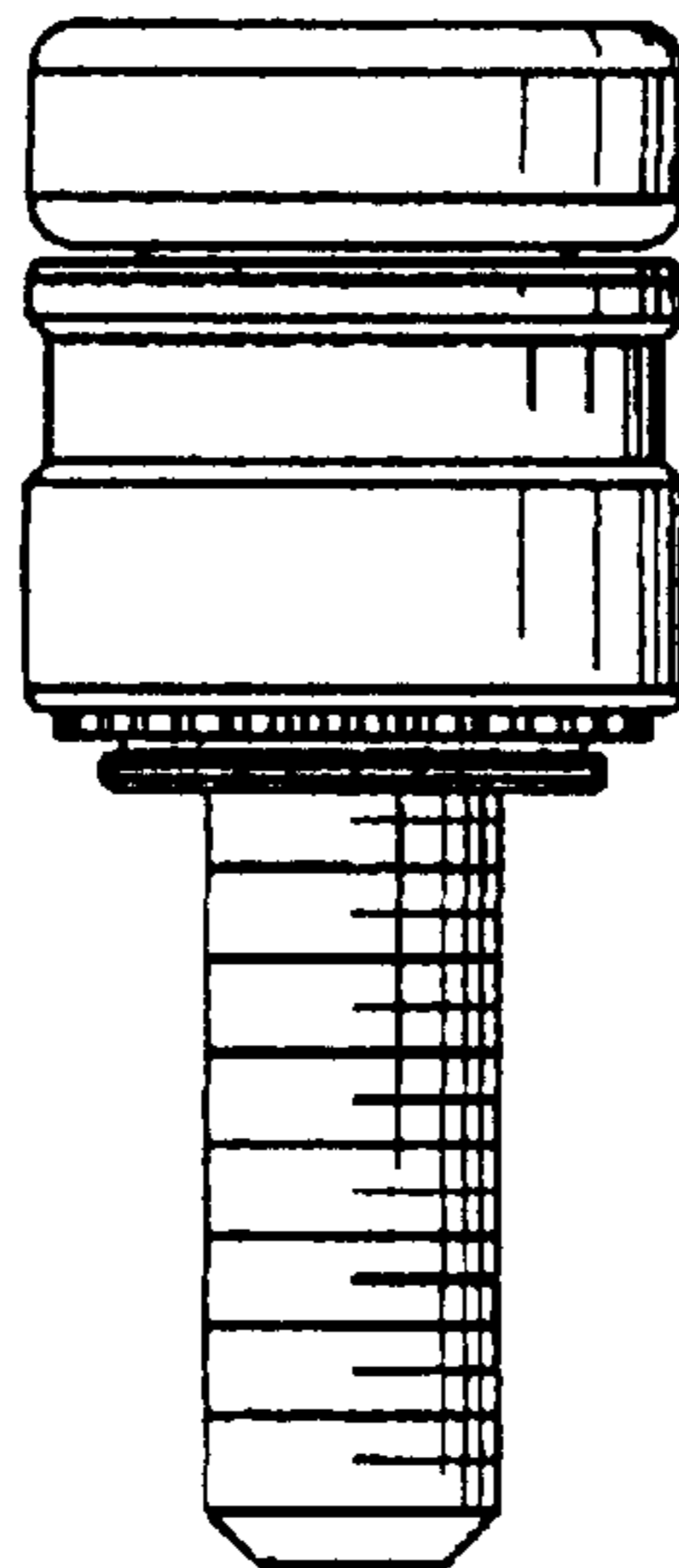


FIG. 4

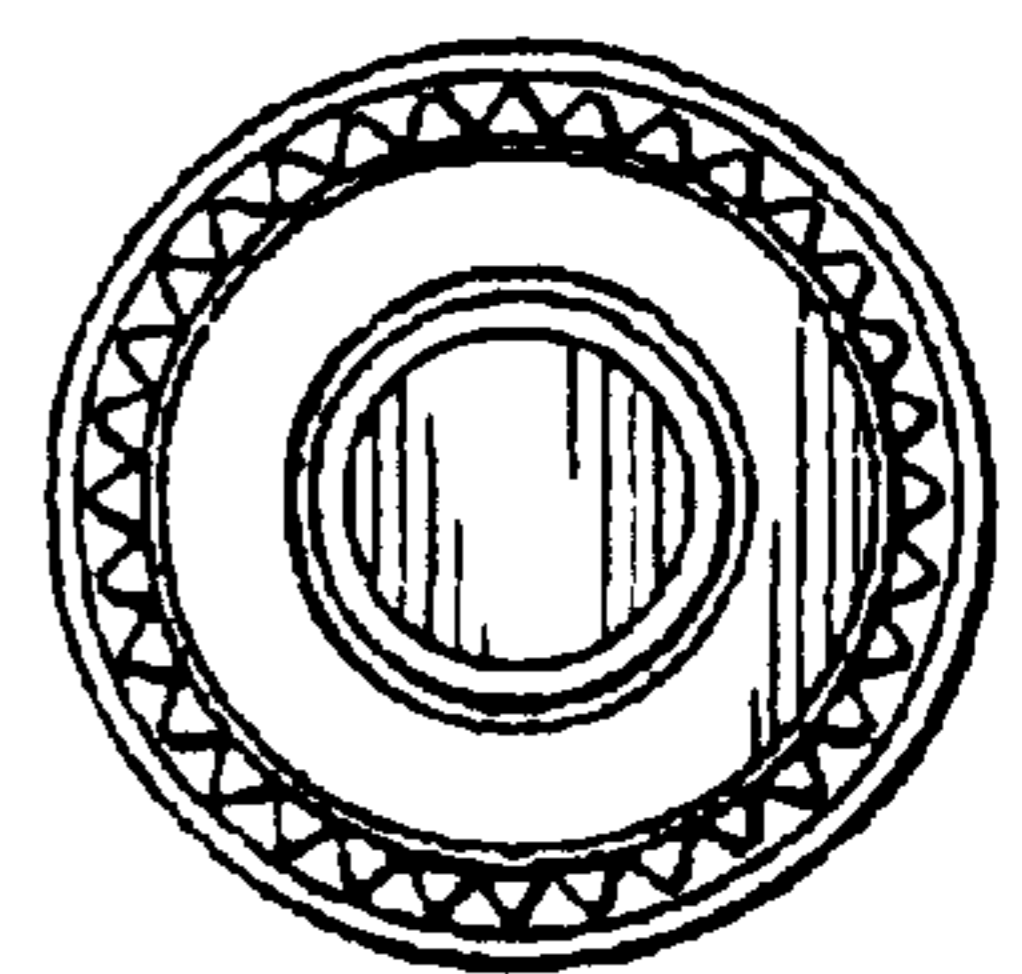


FIG. 5

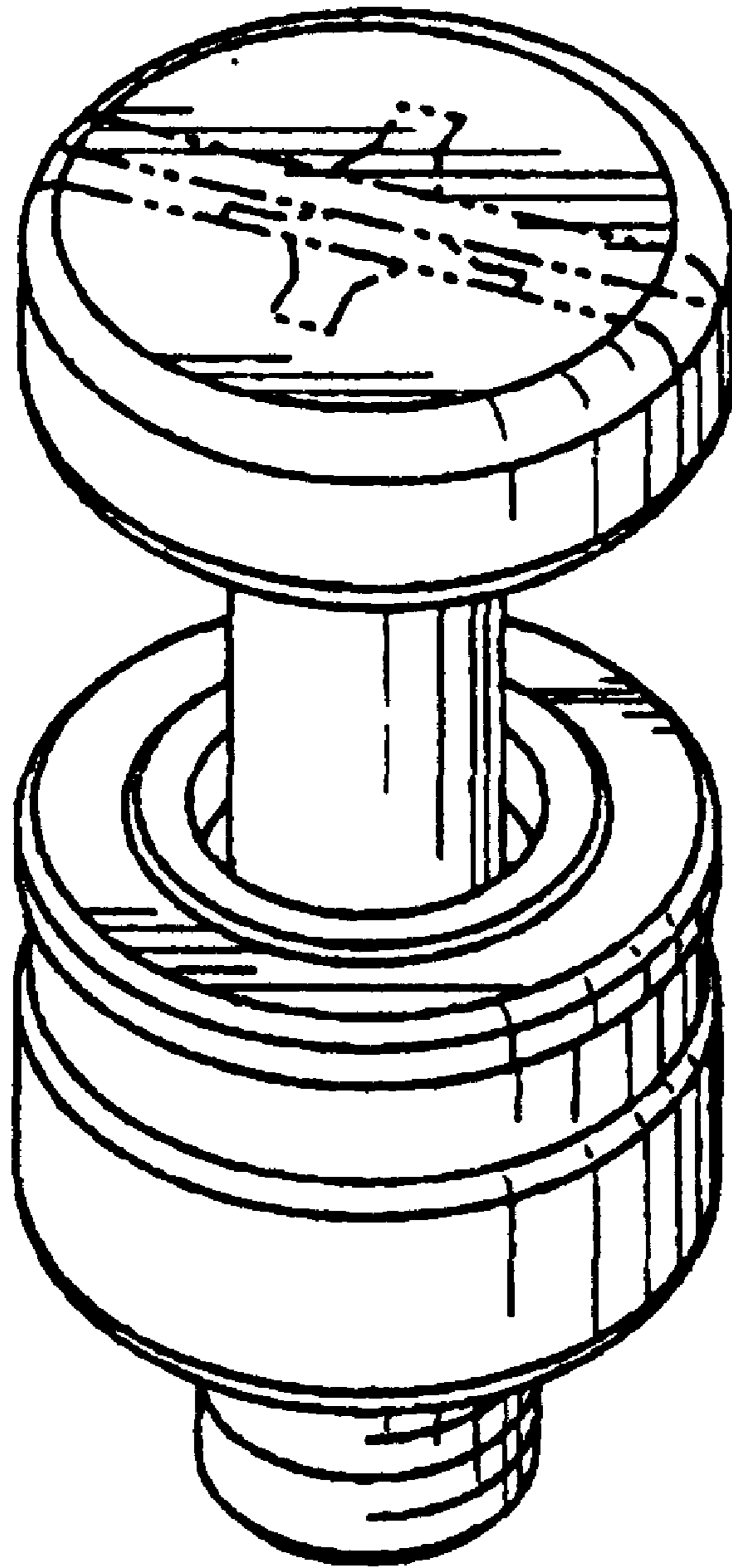


FIG. 6