



US00D437200S

(12) **United States Design Patent**
Lavigne et al.

(10) **Patent No.:** **US D437,200 S**

(45) **Date of Patent:** **** Feb. 6, 2001**

(54) **PIVOTAL JAW ASSEMBLY**
(75) Inventors: **Gerard E. Lavigne; Michael R. Corriveau**, both of Coventry; **Gregory A. Armstrong**, West Warwick, all of RI (US)

(73) Assignee: **Lavigne Manufacturing, Inc.**, Cranston, RI (US)

(**) Term: **14 Years**

(21) Appl. No.: **29/116,350**

(22) Filed: **Dec. 30, 1999**

Related U.S. Application Data

(62) Division of application No. 29/095,919, filed on Nov. 2, 1998, now Pat. No. Des. 421,208.

(51) **LOC (7) Cl.** **08-02**

(52) **U.S. Cl.** **D8/74**

(58) **Field of Search** D8/71, 72, 73, D8/74; D15/140; 269/240, 243, 246, 247, 269

(56) **References Cited**

U.S. PATENT DOCUMENTS

D. 234,118 1/1975 Molitors D8/74

D. 254,376	3/1980	Glomb et al.	D8/74
D. 287,457	12/1986	Listes	D8/74
3,063,707	11/1962	Kelley .	
3,223,407	12/1965	Wills .	
3,397,880	8/1968	Kuban .	
4,070,010	1/1978	Brasca	269/27
4,383,682	5/1983	Feinberg	269/76
4,863,151	9/1989	Justesen	269/261

OTHER PUBLICATIONS

Wilton Catalog, Milling Machine Vice, p. 12, 1963.*

* cited by examiner

Primary Examiner—Philip S. Hyder

(74) *Attorney, Agent, or Firm*—Salter & Michaelson

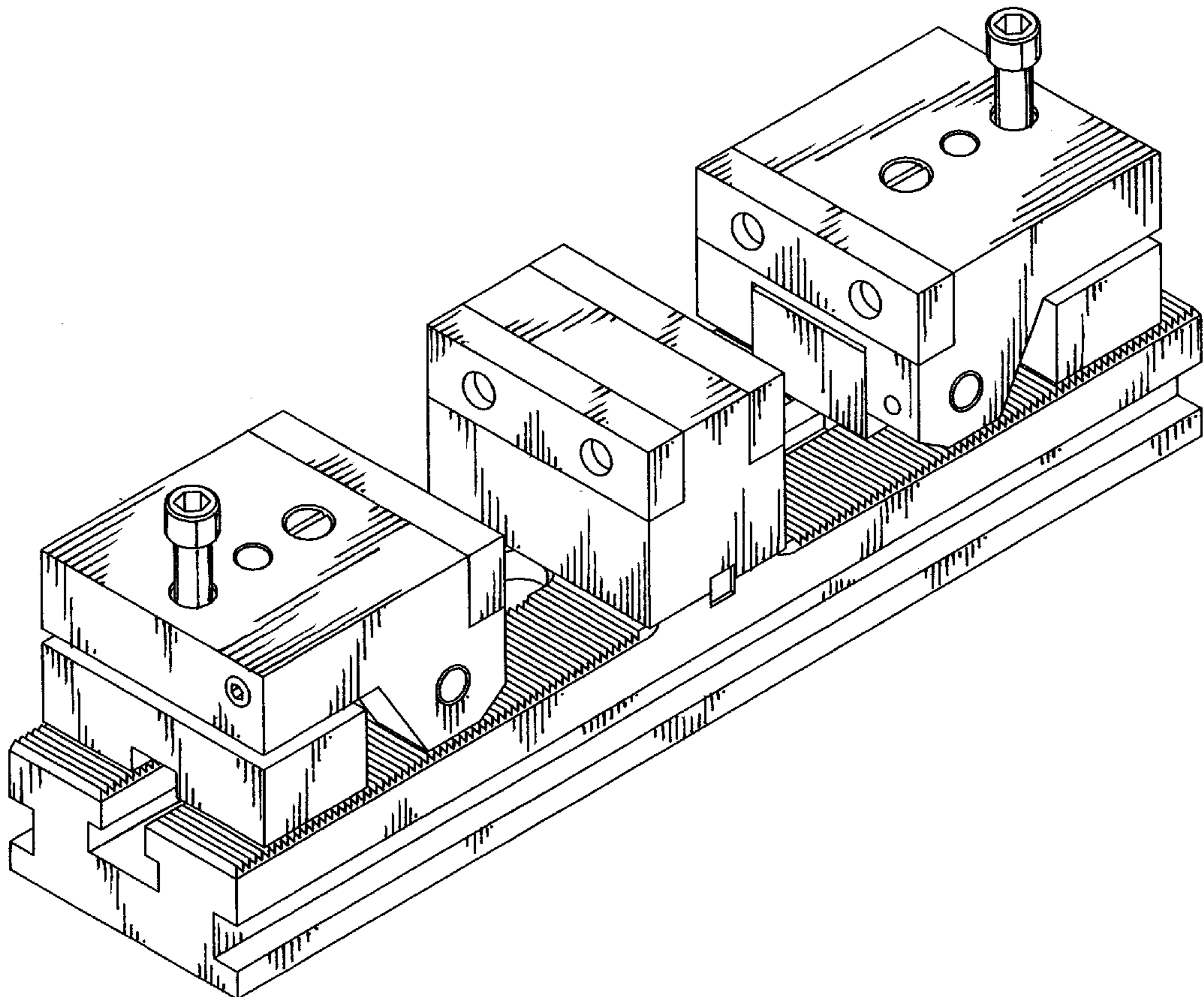
(57) **CLAIM**

The ornamental design for a pivotal jaw assembly, as shown.

DESCRIPTION

FIG. 1 is a perspective view showing our new design; FIG. 2 is a front elevational view thereof; FIG. 3 is a rear elevational view thereof; FIG. 4 is a top plan view thereof; FIG. 5 is a bottom plan view thereof; FIG. 6 is a left end view thereof; and, FIG. 7 is a right end view thereof.

1 Claim, 4 Drawing Sheets



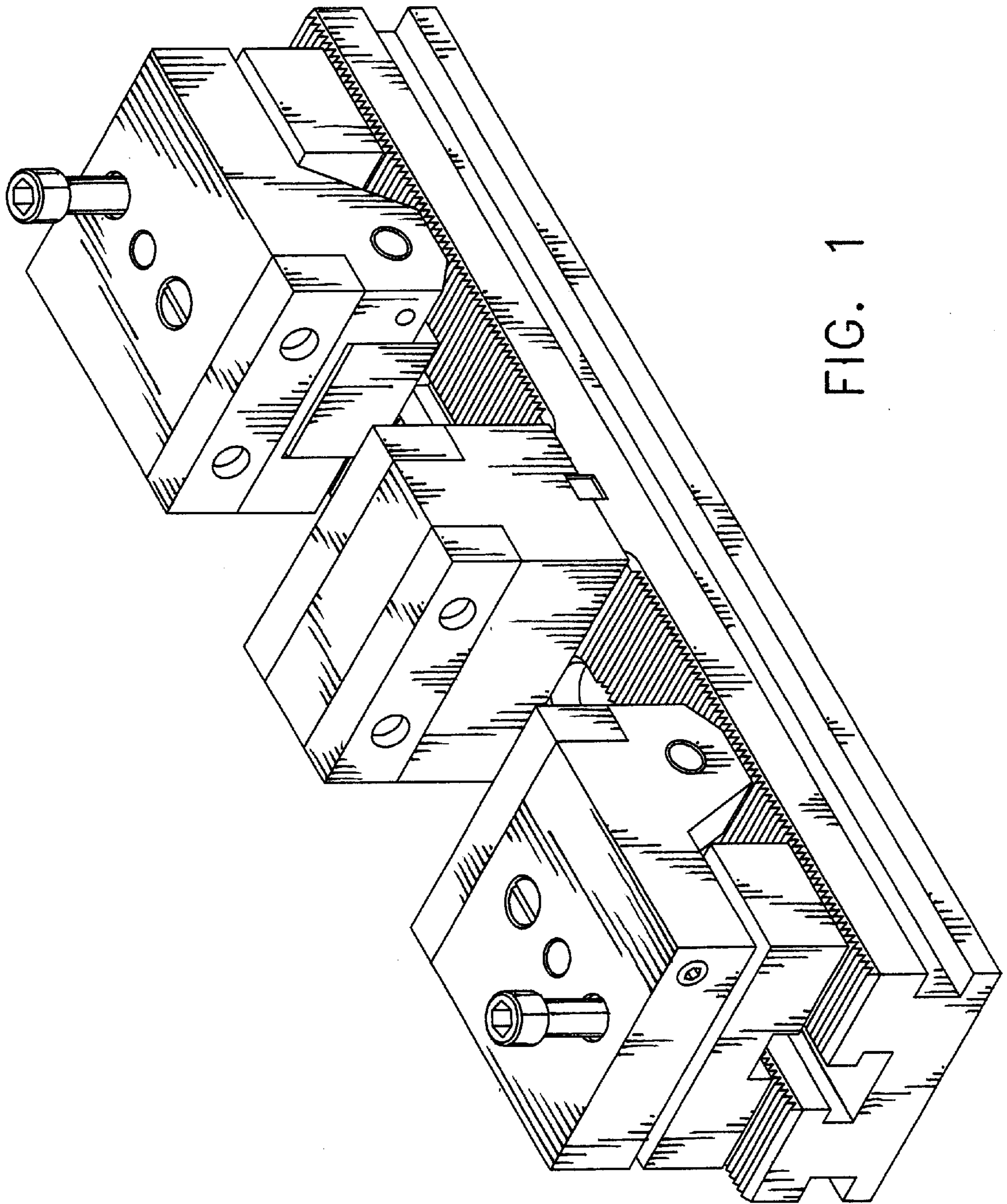


FIG. 1

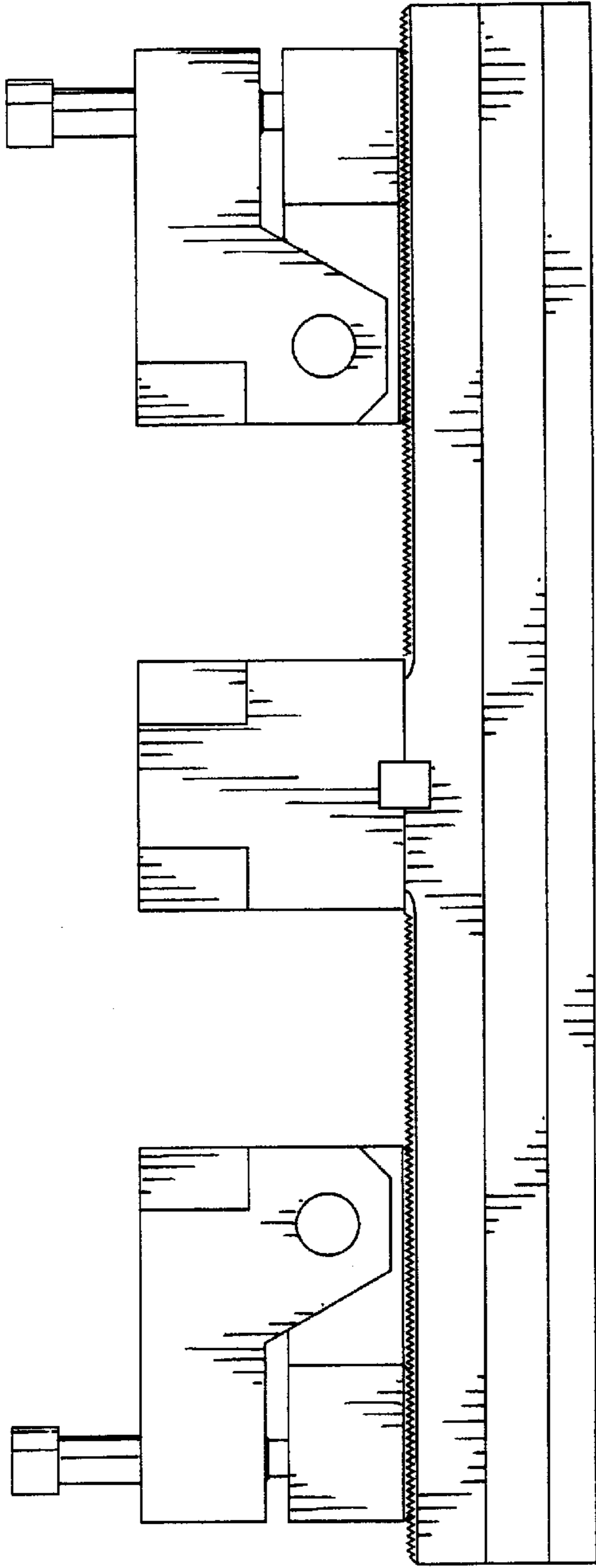


FIG. 2

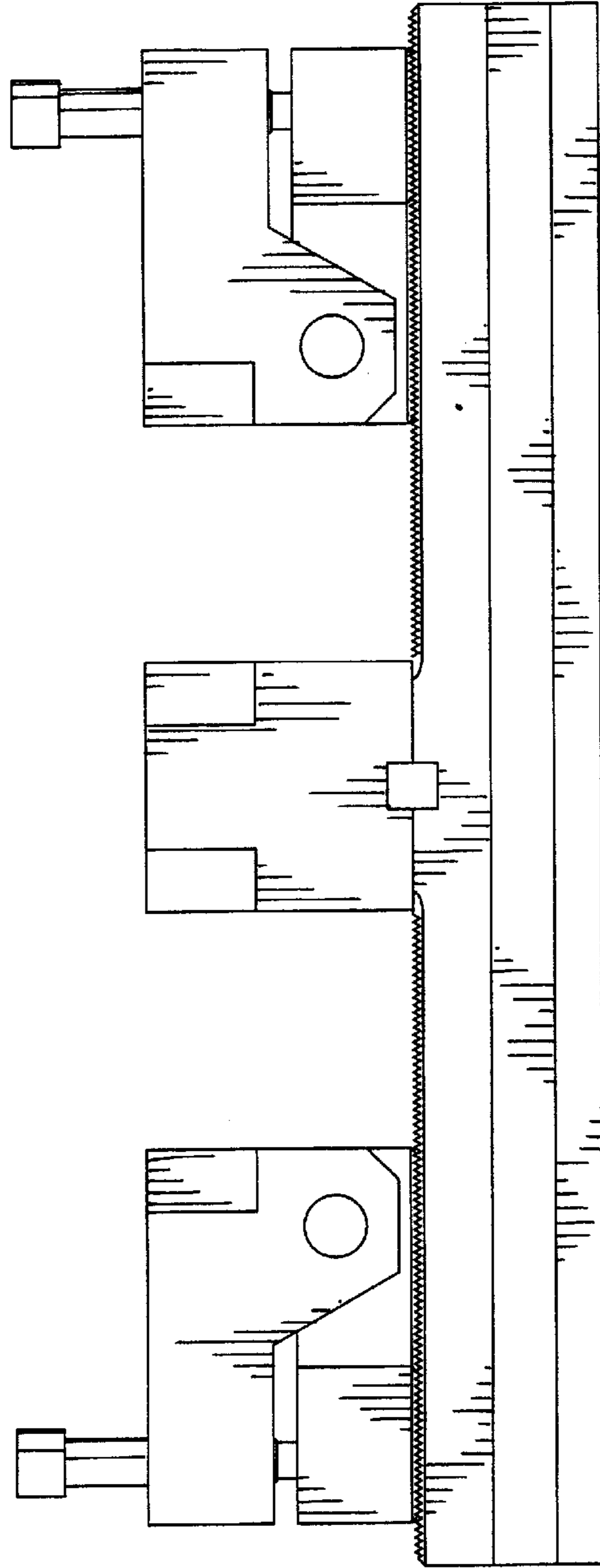


FIG. 3

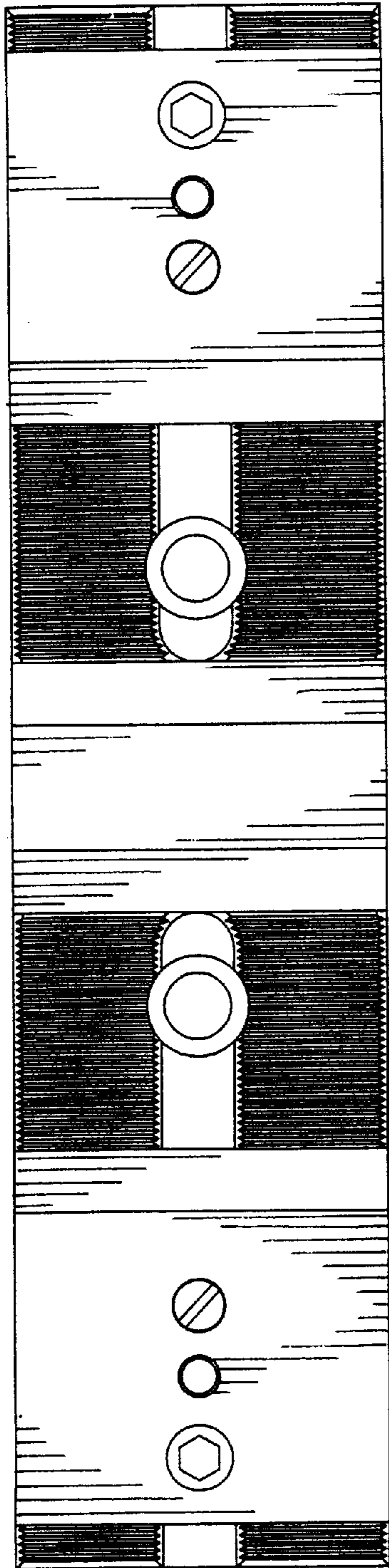


FIG. 4

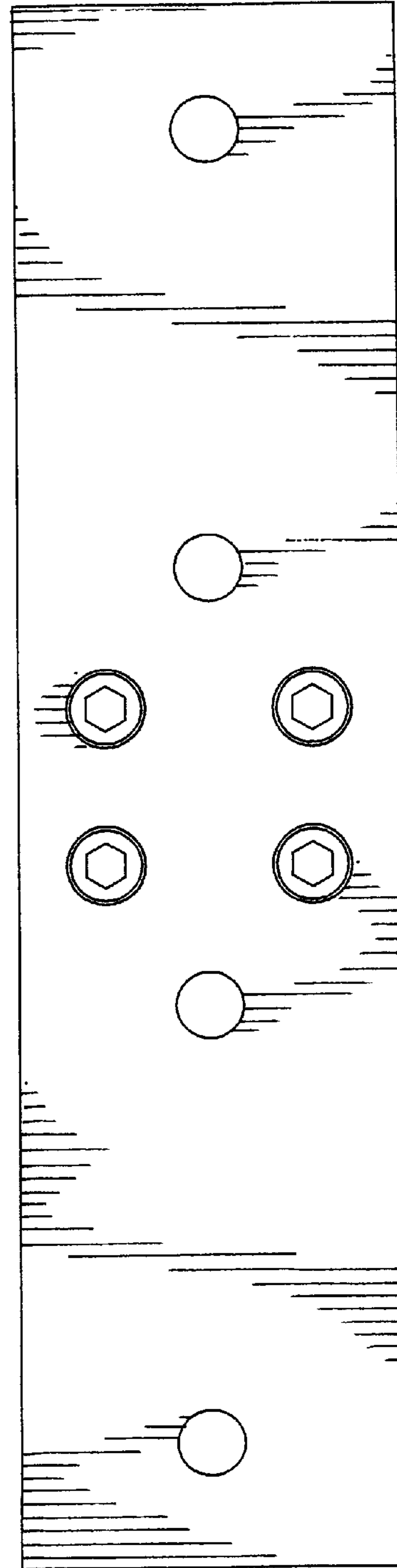


FIG. 5

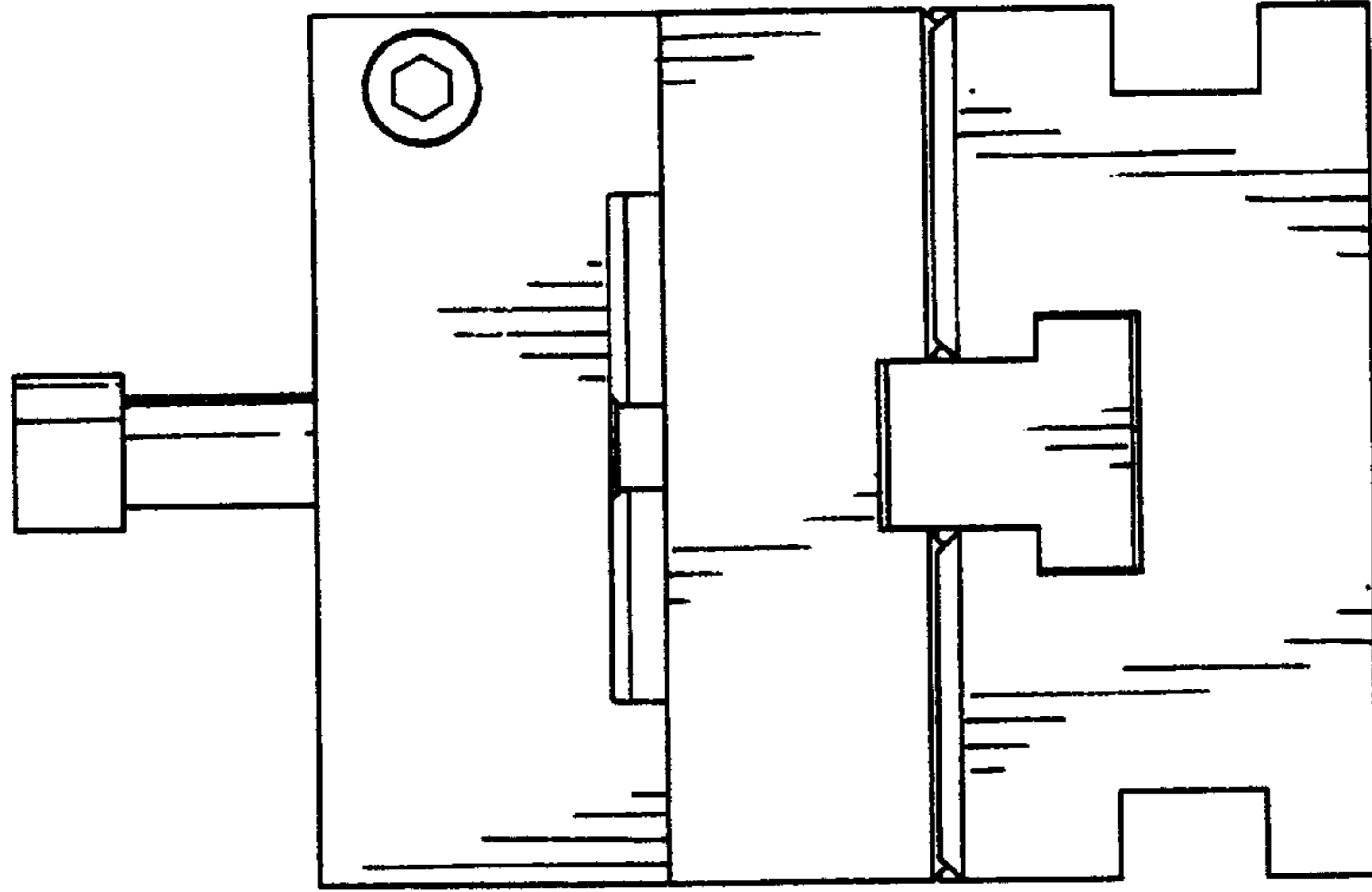


FIG. 7

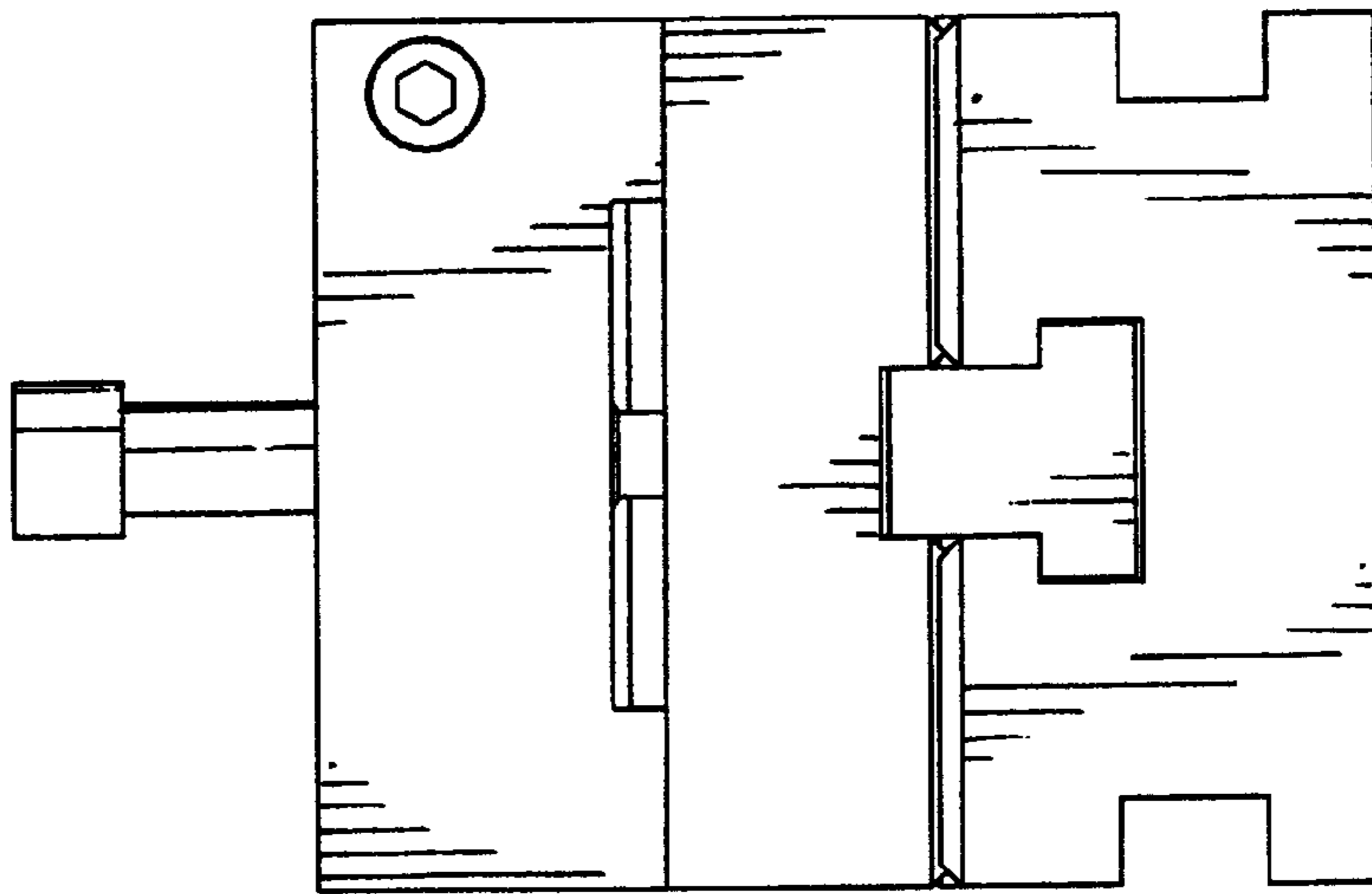


FIG. 6