



US00D437199S

(12) **United States Design Patent**
Robson

(10) **Patent No.:** **US D437,199 S**

(45) **Date of Patent:** **** Feb. 6, 2001**

(54) **ANGLE GRINDER**

(75) **Inventor:** **Nigel Robson**, Durham (GB)

(73) **Assignee:** **Black & Decker Inc.**, Newark, DE (US)

(**) **Term:** **14 Years**

(21) **Appl. No.:** **29/116,603**

(22) **Filed:** **Jan. 6, 2000**

(30) **Foreign Application Priority Data**

Jul. 6, 1999 (GB) 2084705

(51) **LOC (7) Cl.** **08-05**

(52) **U.S. Cl.** **D8/62**

(58) **Field of Search** D8/61-70; 81/57.11, 81/474, 54, 57.42; 173/170, 182, 217, 48, 273; 451/358, 359; 30/391, 390; 15/3.53; 310/50; 418/270; 409/182

(56) **References Cited**

U.S. PATENT DOCUMENTS

D. 255,417	*	6/1980	Sakamoto et al.	D8/62
D. 266,222	*	9/1982	Buscher	D8/61
D. 295,824	*	5/1988	Hoshino et al.	D8/62
D. 301,830	*	6/1989	Ogawa et al.	D8/62
D. 324,632	*	3/1992	Nose et al.	D8/61
D. 328,841	*	8/1992	Fushiya et al.	D8/62
D. 332,559	*	1/1993	Miyoshi et al.	D8/62
D. 332,560	*	1/1993	Mikiya	D8/62
D. 347,153	*	5/1994	Uneyama	D8/62

D. 351,772	*	10/1994	Price	D8/62
D. 376,968	*	12/1996	Kim	D8/62
D. 378,183	*	2/1997	Dognini	D8/62
D. 386,378	*	11/1997	Henssler et al.	D8/62
D. 394,594	*	5/1998	Chung	D8/62
D. 396,175	*	7/1998	Chung	D8/62
D. 402,870	*	12/1998	Etter et al.	D8/62
D. 408,244	*	4/1999	Price	D8/62
D. 411,089	*	6/1999	Price	D8/62
D. 411,424	*	6/1999	Saito	D8/62
4,891,915	*	1/1990	Yasuda	451/359
5,201,146	*	4/1993	Fushiya	451/358
5,974,674	*	11/1999	Kelly	30/391

* cited by examiner

Primary Examiner—Jeffrey Asch

(74) *Attorney, Agent, or Firm*—Bruce S. Shapiro

(57) **CLAIM**

The ornamental design for an angle grinder, as shown and described.

DESCRIPTION

FIG. 1 is a front perspective view of an angle grinder showing my new design.

FIG. 2 is a left side elevational view of FIG. 1.

FIG. 3 is a right side elevational view of FIG. 1.

FIG. 4 is a top plan view of FIG. 1.

FIG. 5 is a bottom plan view of FIG. 1.

FIG. 6 is a front elevational view of FIG. 1; and,

FIG. 7 is a rear elevational view of FIG. 1.

1 Claim, 6 Drawing Sheets

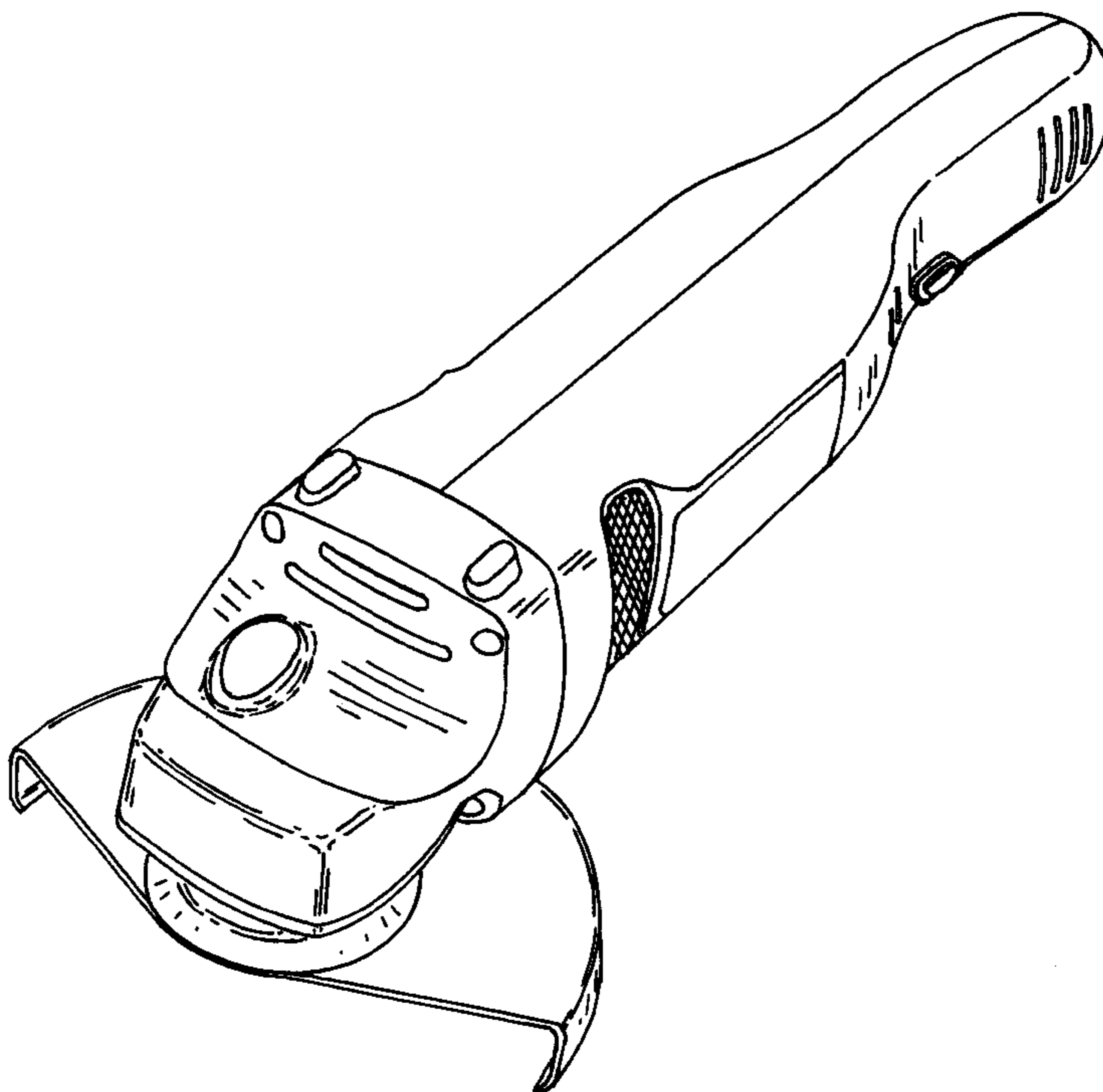
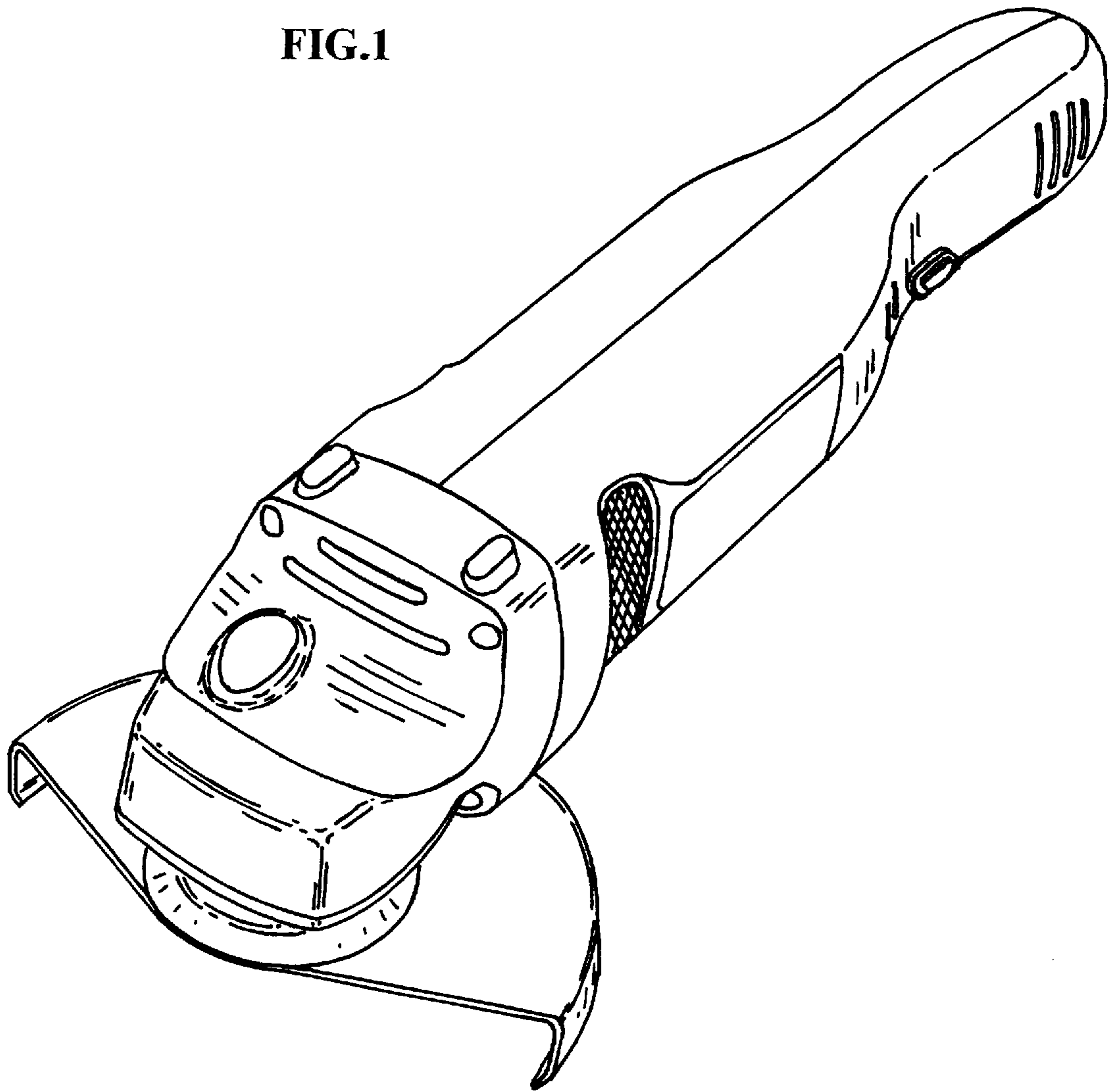


FIG.1



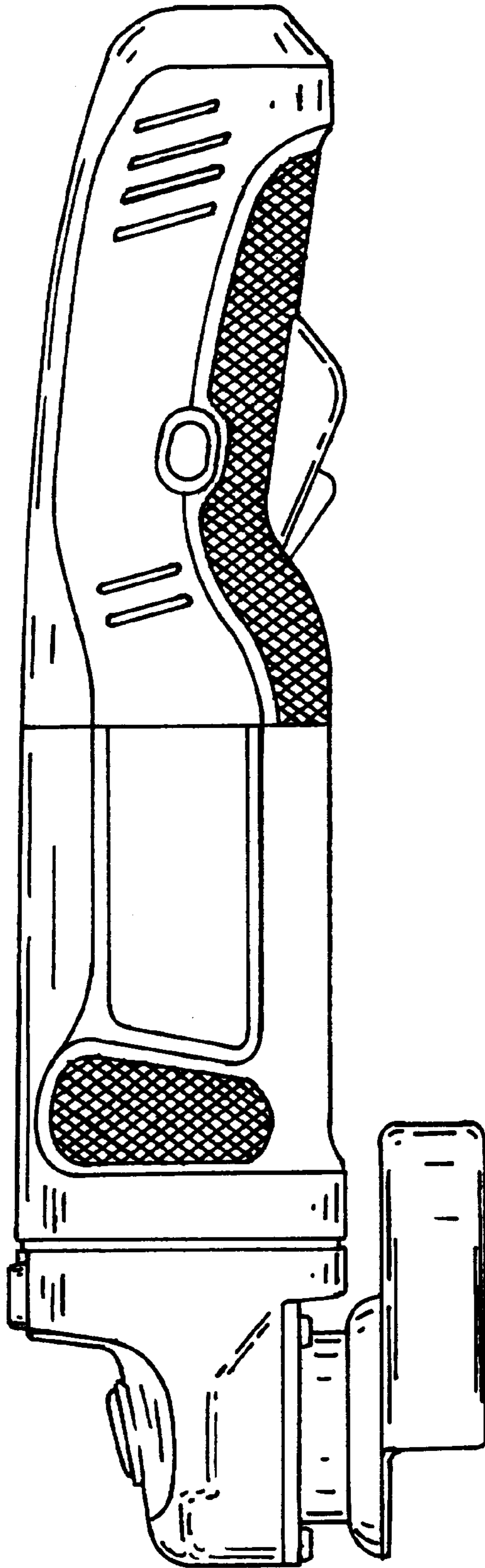


FIG.2

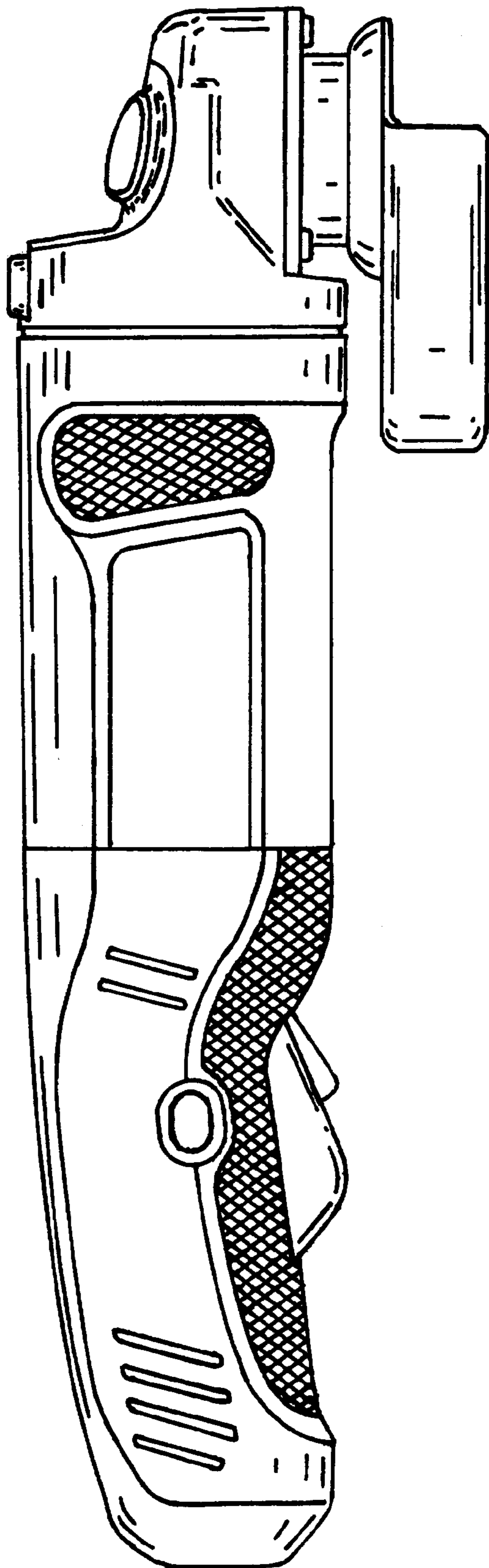


FIG.3

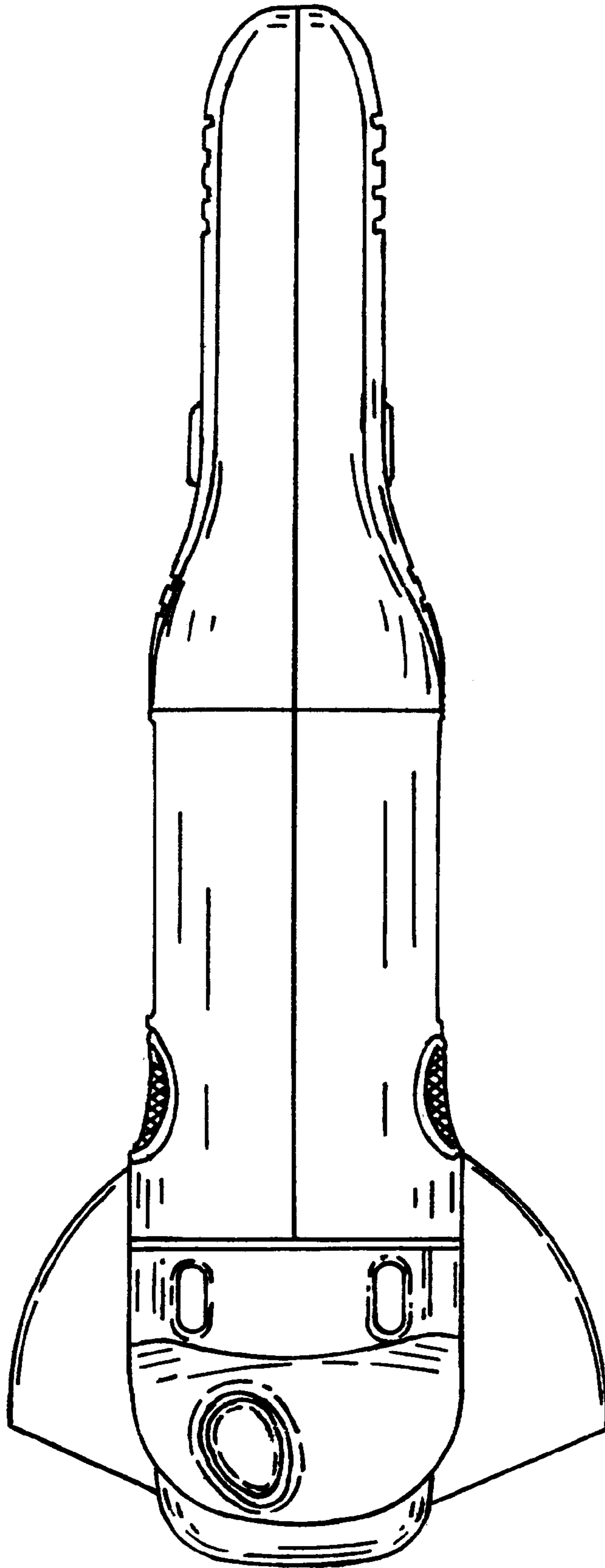


FIG.4

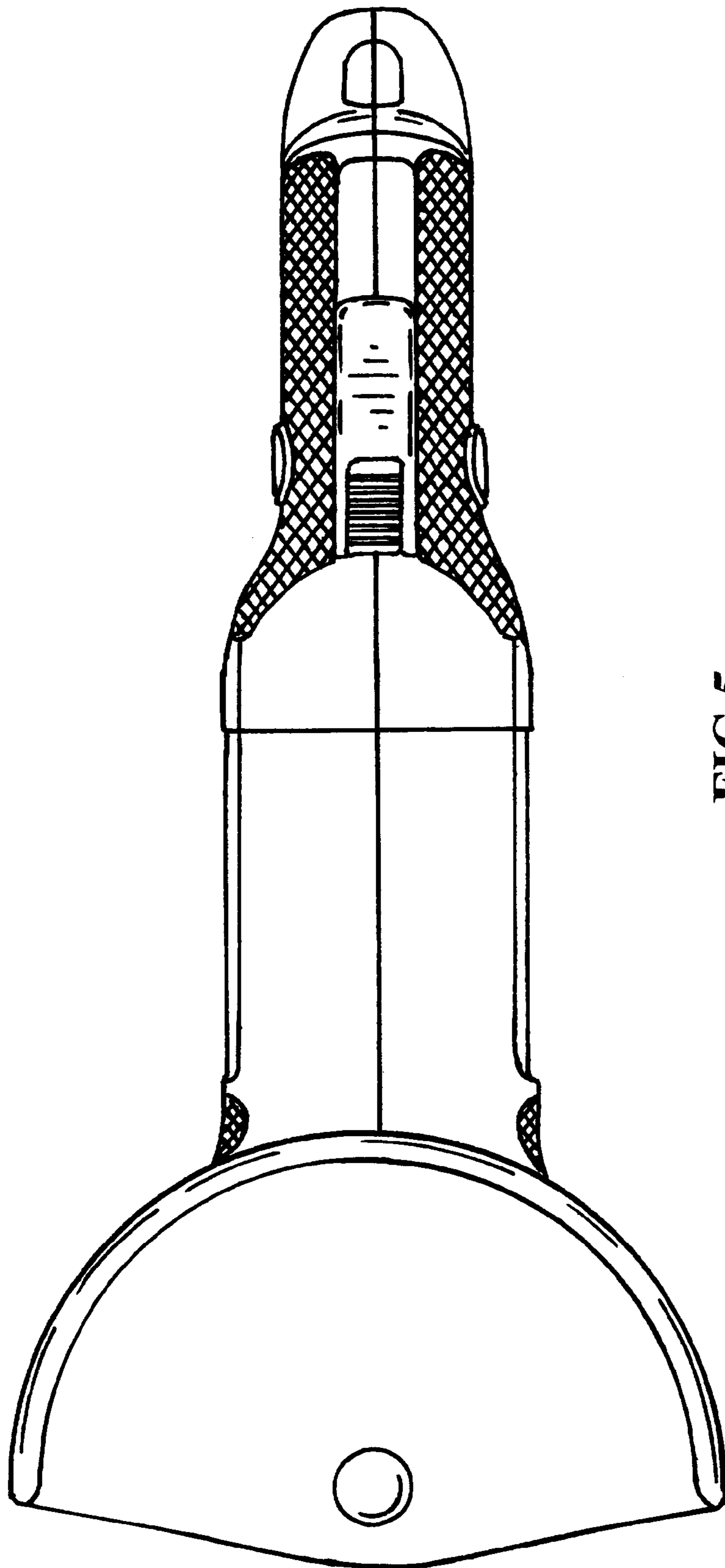


FIG.5

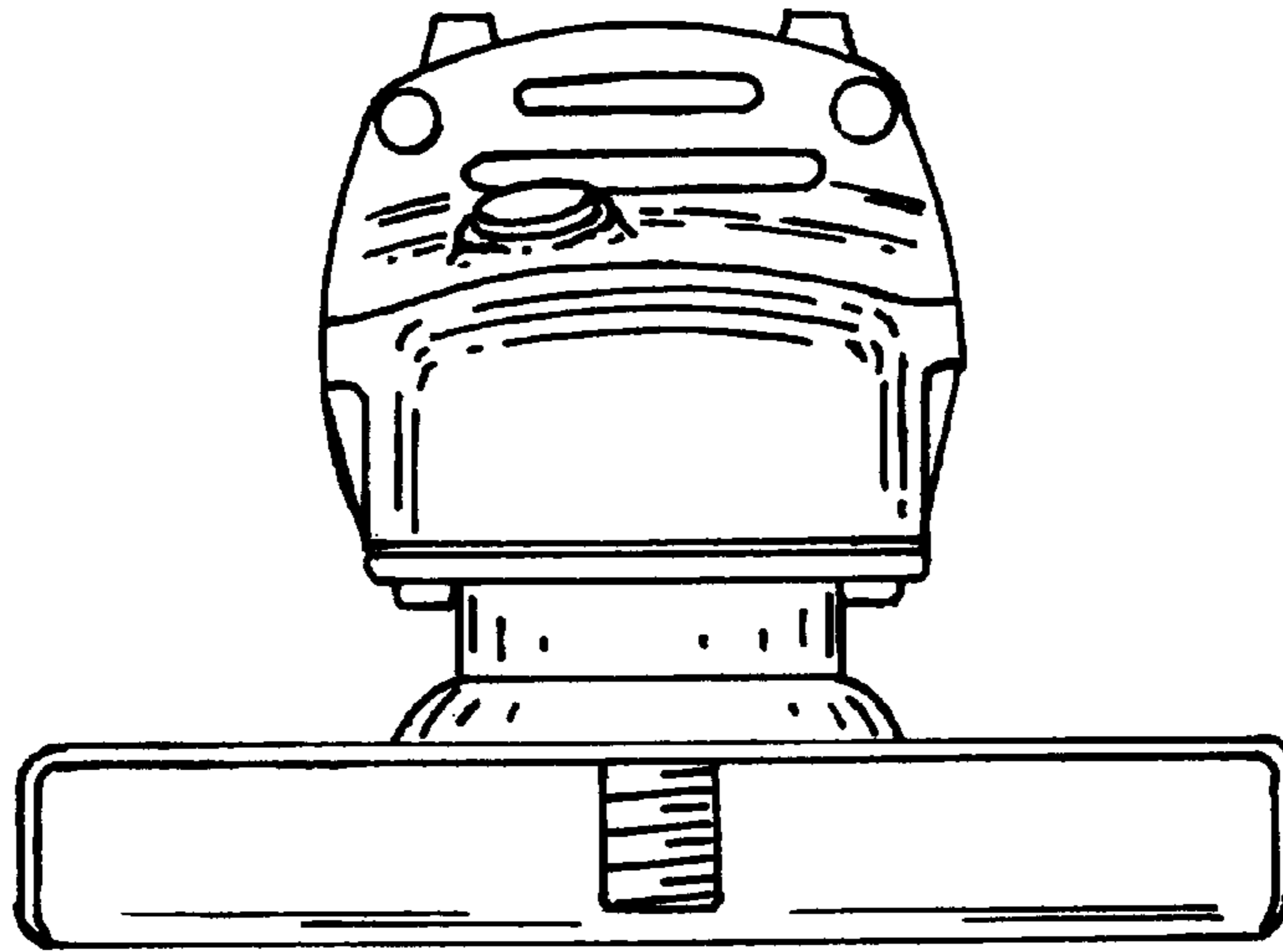


FIG.6

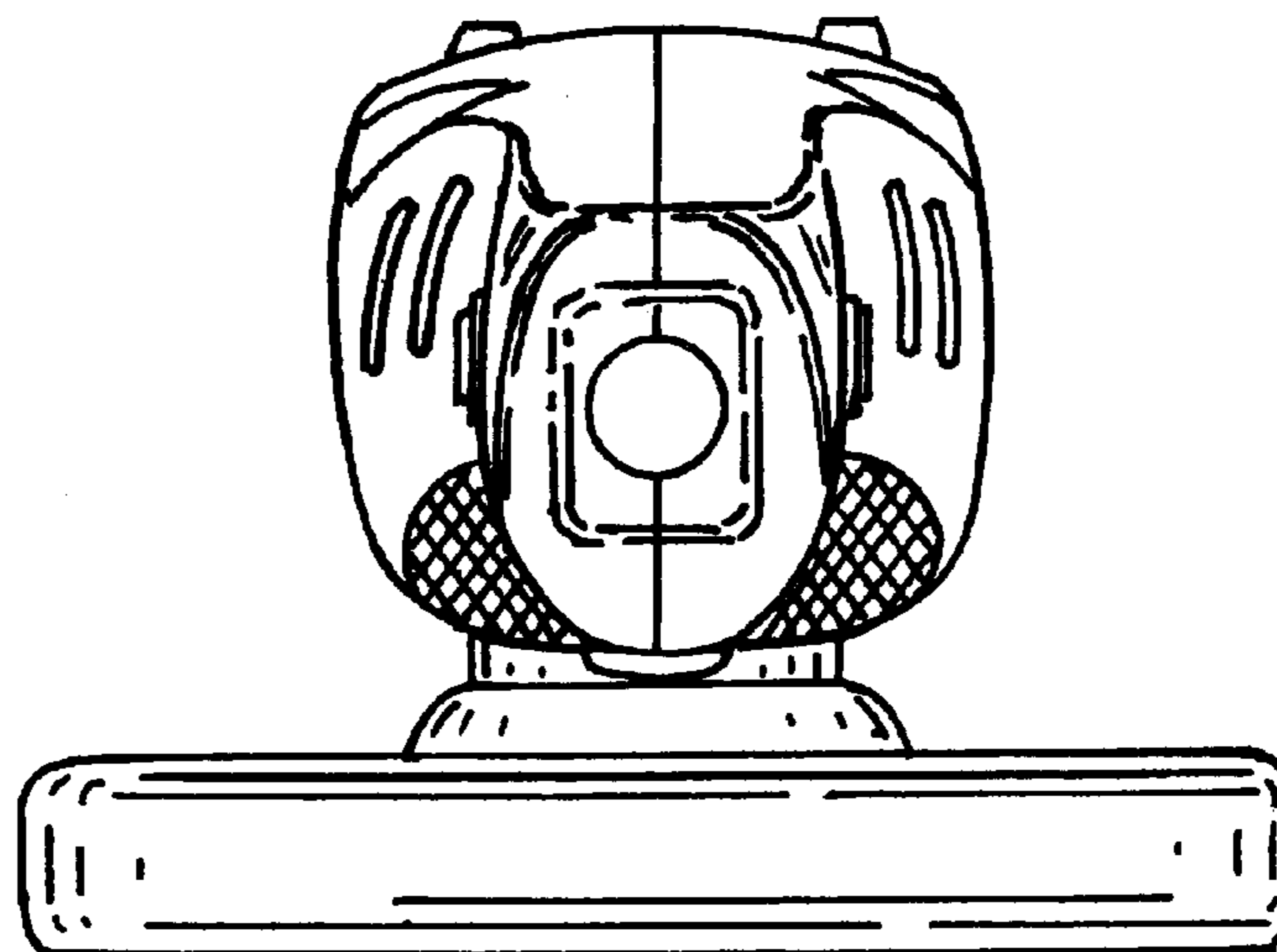


FIG.7