



US00D437198S

(12) **United States Design Patent** (10) **Patent No.:** **US D437,198 S**
Lo (45) **Date of Patent:** **** Feb. 6, 2001**

(54) **SCISSORS**

5,341,573 * 8/1994 Linden et al. 30/254
 5,819,416 * 10/1998 Robinson et al. 30/257

(75) Inventor: **Wai Kim Lo**, Kwai Chung (HK)

* cited by examiner

(73) Assignee: **Wiko Cutlery Ltd.**, Hong Kong (HK)

Primary Examiner—Alan P. Douglas

Assistant Examiner—Reid Hecker

(**) Term: **14 Years**

(74) *Attorney, Agent, or Firm*—Alix, Yale & Ristas, LLP

(21) Appl. No.: **29/123,100**

(57) **CLAIM**

(22) Filed: **May 10, 2000**

The ornamental design for scissors, as shown and described.

(51) **LOC (7) Cl.** **08-03**

DESCRIPTION

(52) **U.S. Cl.** **D8/57**

(58) **Field of Search** D8/5, 57, 98, 107;
 D24/148; 606/174; 30/120, 145, 194, 201,
 229, 230, 252, 253, 254, 257; 7/135

FIG. 1 is a perspective view of the scissors in an opened position showing my new design;

FIG. 2 is a front view of the scissors of FIG. 1 showing the scissors in a closed position;

FIG. 3 is a rear view of the scissors of FIG. 2;

FIG. 4 is a left side view of the scissors of FIG. 2;

FIG. 5 is a right side view of the scissors of FIG. 2;

FIG. 6 is a top plan view of the scissors of FIG. 2; and,

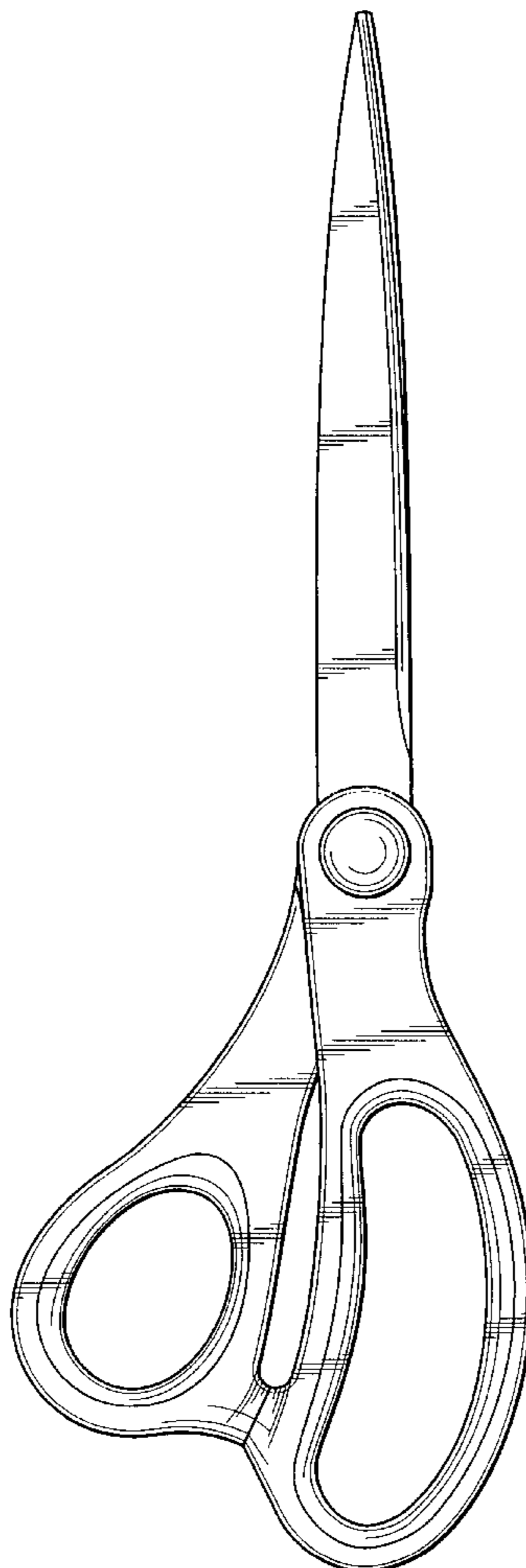
FIG. 7 is a bottom plan view of the scissors of FIG. 2.

(56) **References Cited**

U.S. PATENT DOCUMENTS

- D. 391,819 * 3/1998 Robinson et al. D8/57
- D. 393,192 * 4/1998 Cornell D8/57
- D. 395,992 * 7/1998 Bennett et al. D8/57
- D. 417,829 * 12/1999 Lo D8/57

1 Claim, 3 Drawing Sheets



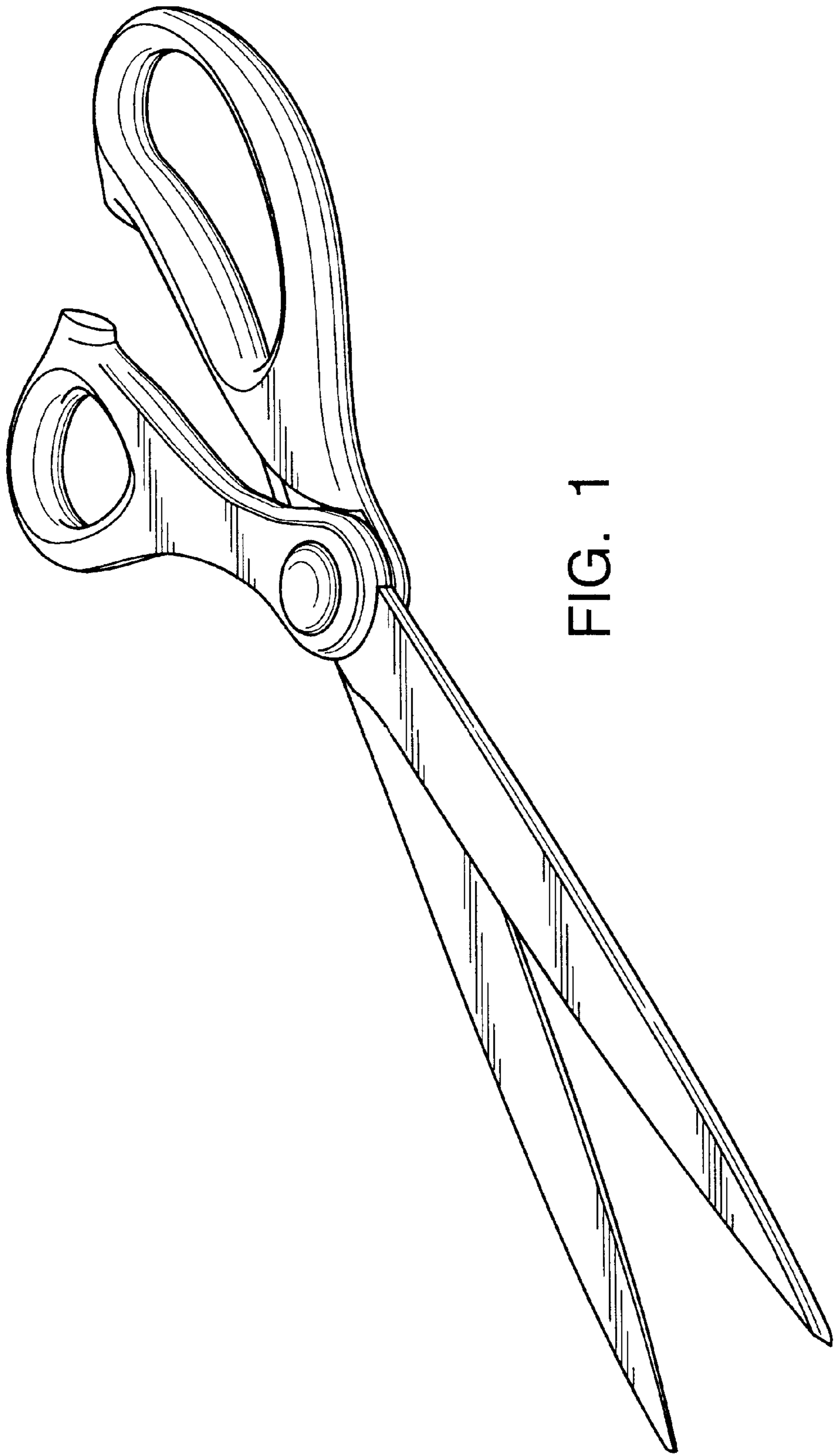


FIG. 1

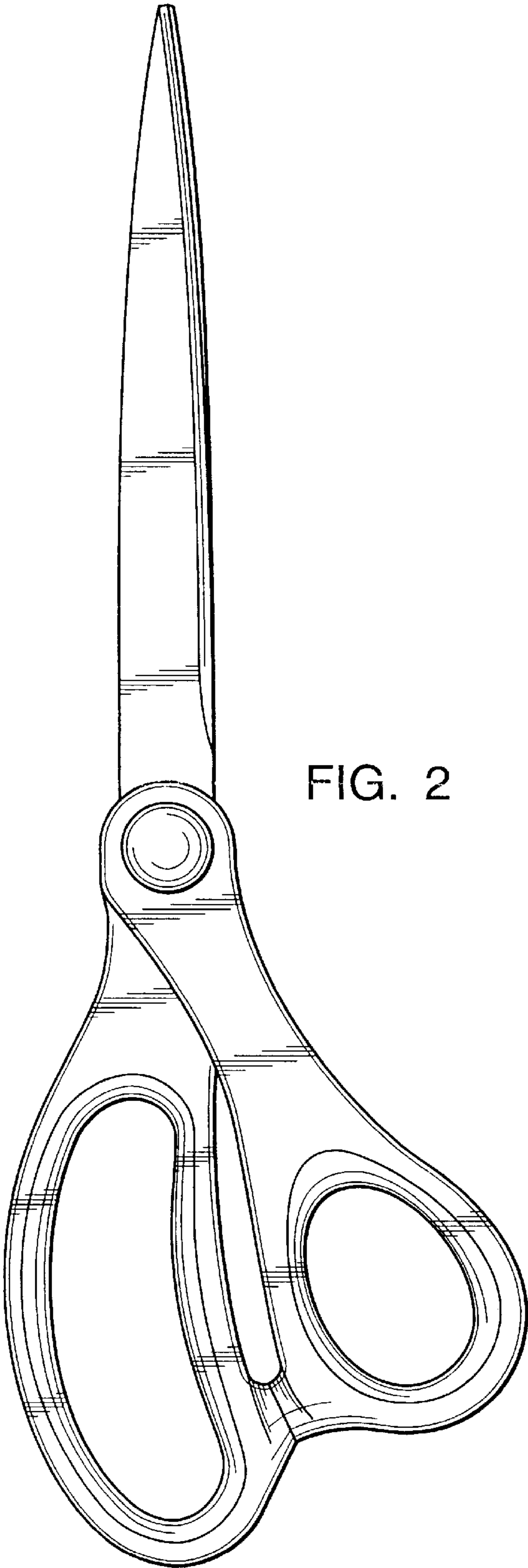


FIG. 2

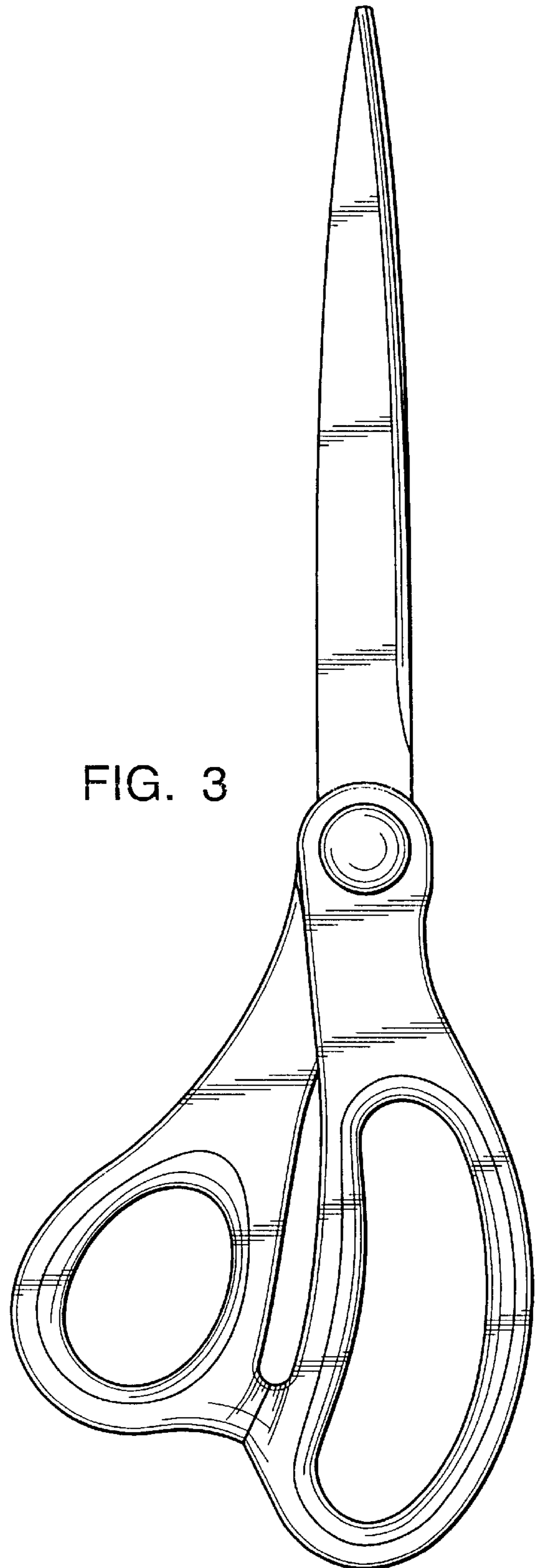


FIG. 3

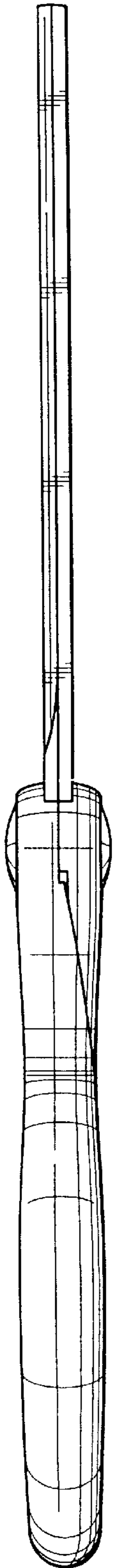


FIG. 4

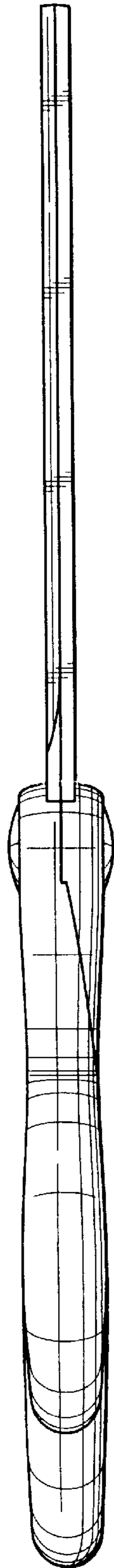


FIG. 5

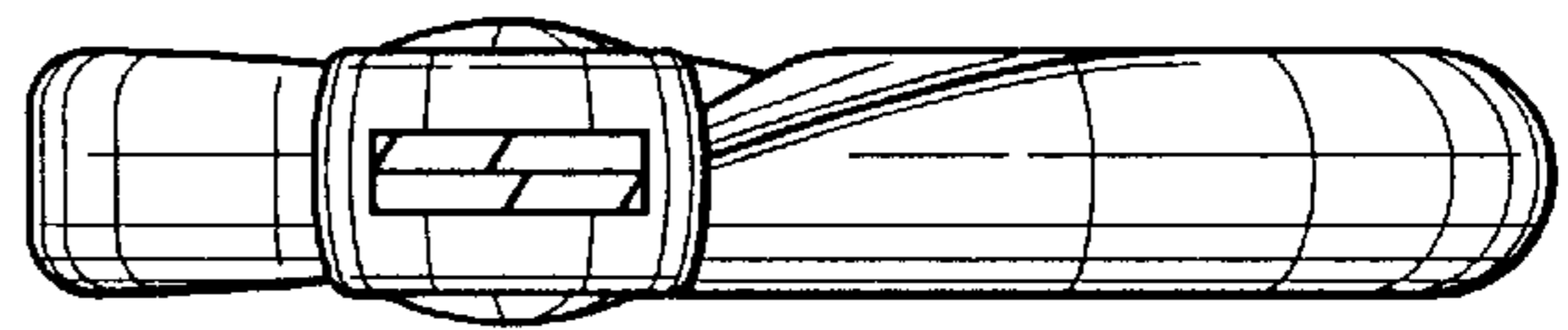


FIG. 6

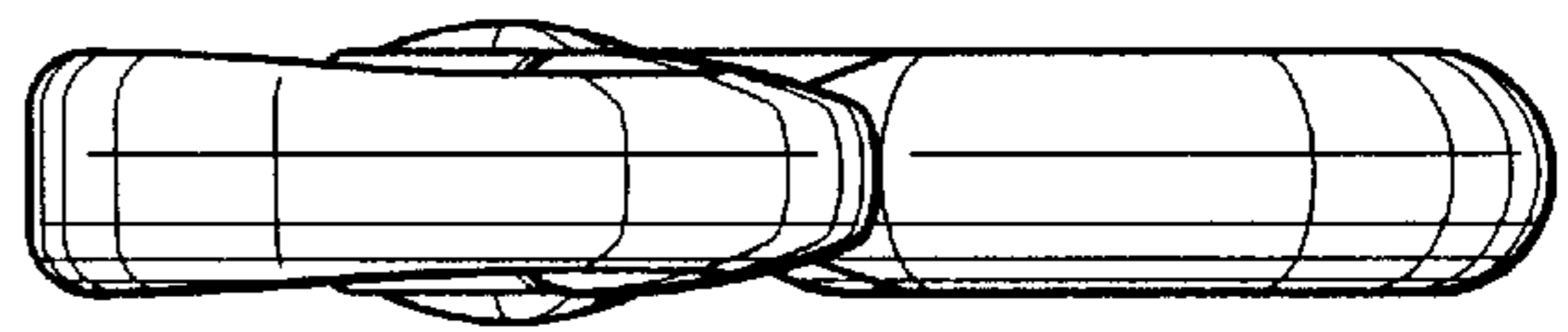


FIG. 7