



US00D437193S

(12) **United States Design Patent**
Kontou et al.

(10) **Patent No.:** **US D437,193 S**

(45) **Date of Patent:** **** Feb. 6, 2001**

(54) **FOOD UTENSIL**

5,403,052 * 4/1995 Lampron 294/7

(75) Inventors: **Andrew Michael Kontou**, Netley;
Peter James Ballaben, North
Plympton, both of (AU)

(73) Assignee: **Medusa International Pty Ltd**,
Marleston (AU)

(**) Term: **14 Years**

(21) Appl. No.: **29/120,339**

(22) Filed: **Mar. 14, 2000**

(51) **LOC (7) Cl.** **07-02**

(52) **U.S. Cl.** **D7/692**

(58) **Field of Search** D7/682-696; 294/7,
294/8, 99.1, 99.2

(56) **References Cited**

U.S. PATENT DOCUMENTS

- D. 262,346 * 12/1981 Riggles, Jr. et al. D7/686
- 5,165,171 * 11/1992 MacLean 294/7 X

OTHER PUBLICATIONS

Chef's Catalog, p. 39, spatulas, H and I, Oct. 1994.*

* cited by examiner

Primary Examiner—Terry A. Wallace

(74) *Attorney, Agent, or Firm*—William J. Sapone;
Coleman Sudol Sapone, P.C.

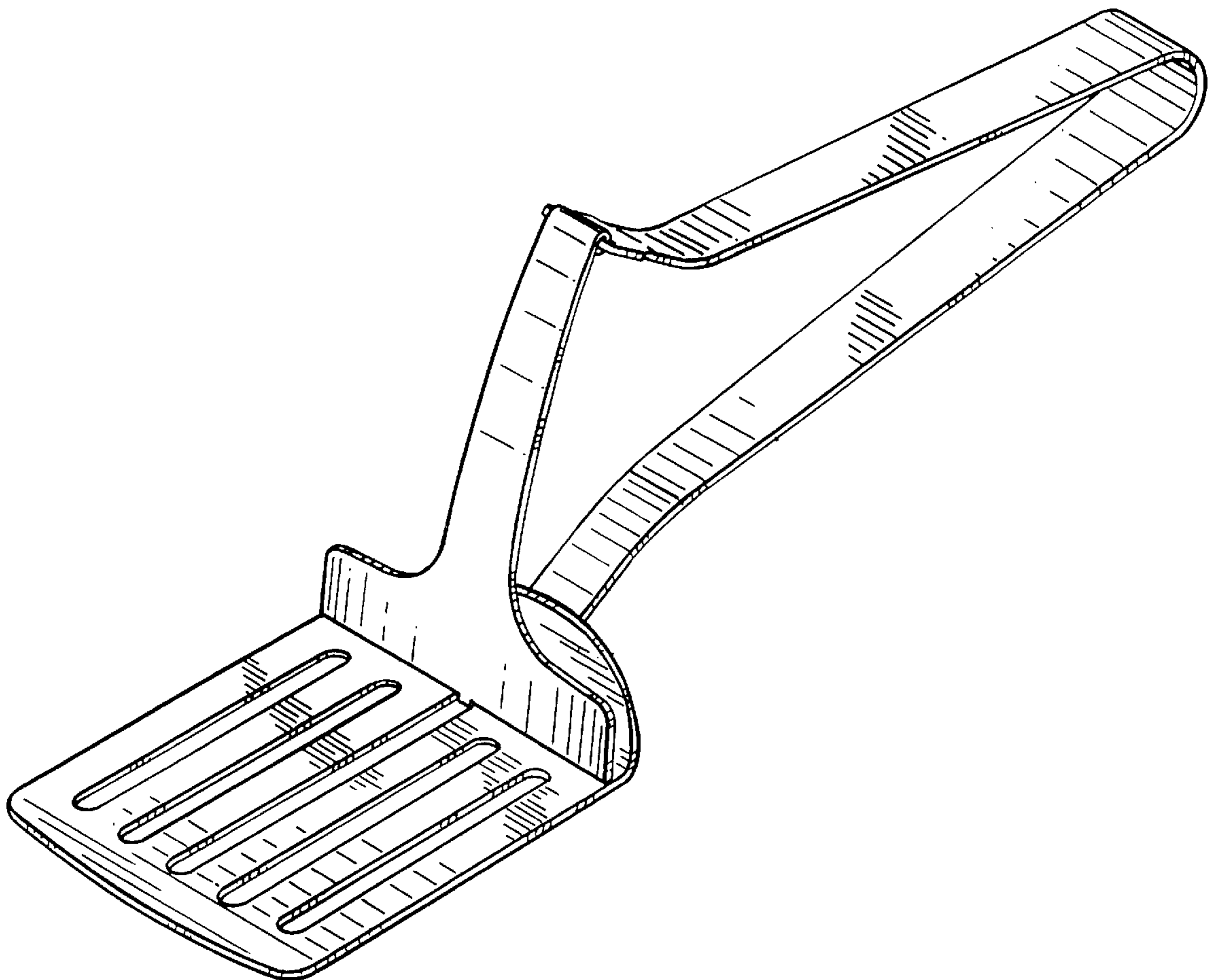
(57) **CLAIM**

The ornamental design for a food utensil, as shown and described.

DESCRIPTION

FIG. 1 is a perspective view of a food utensil, showing our new design;
 FIG. 2 is a top view;
 FIG. 3 is a bottom view;
 FIG. 4 is a side view; and,
 FIG. 5 is a front view.

1 Claim, 2 Drawing Sheets



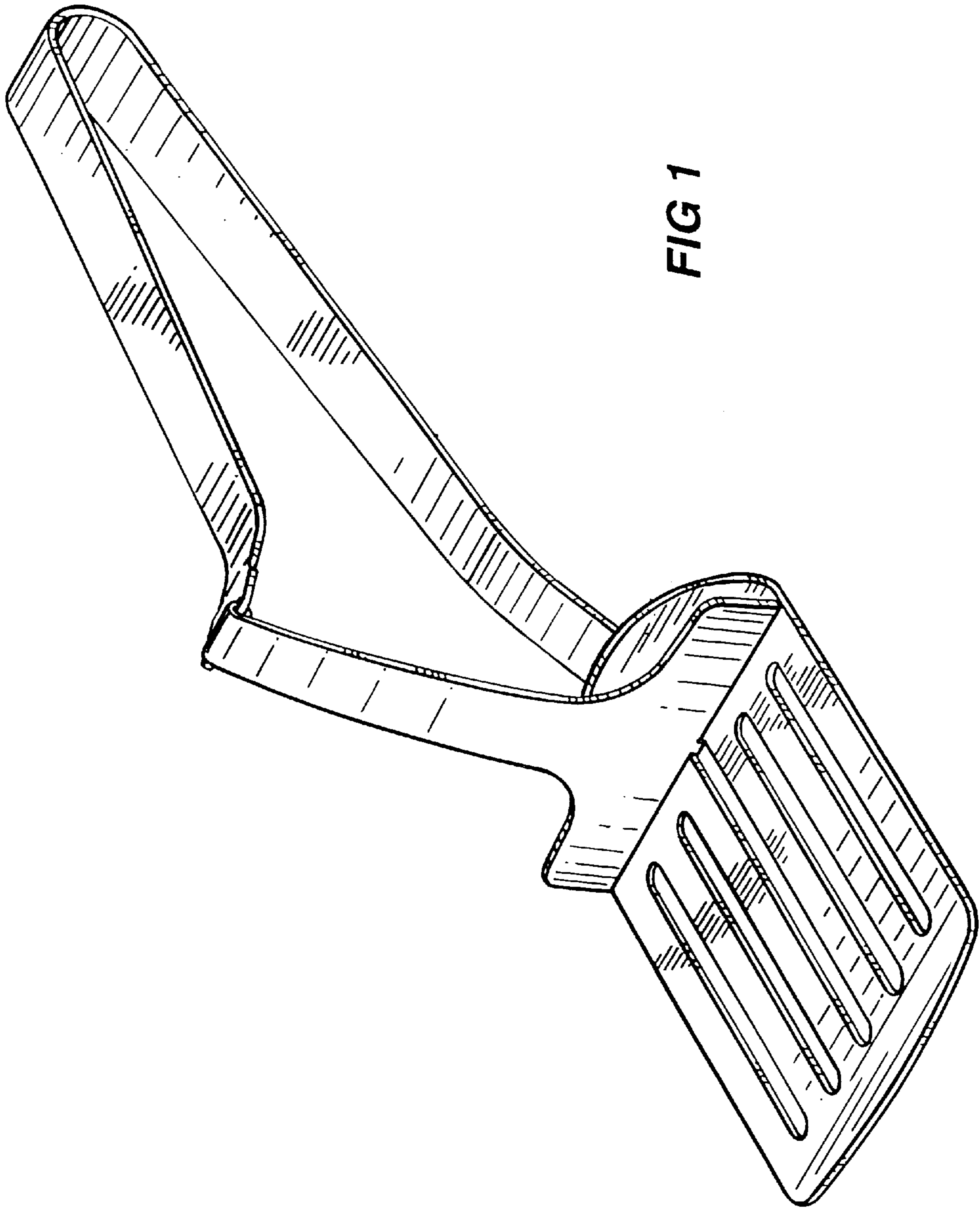


FIG 1

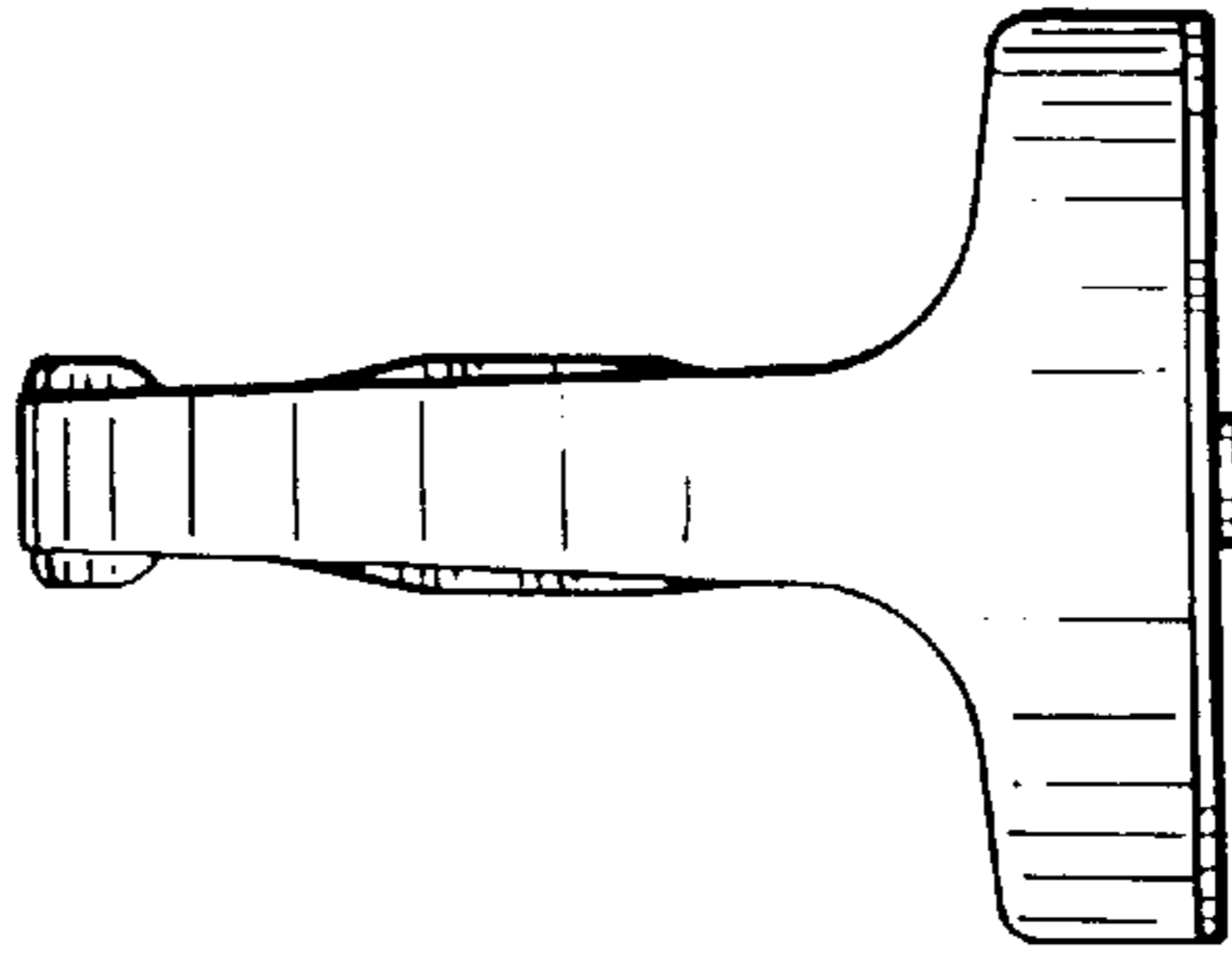
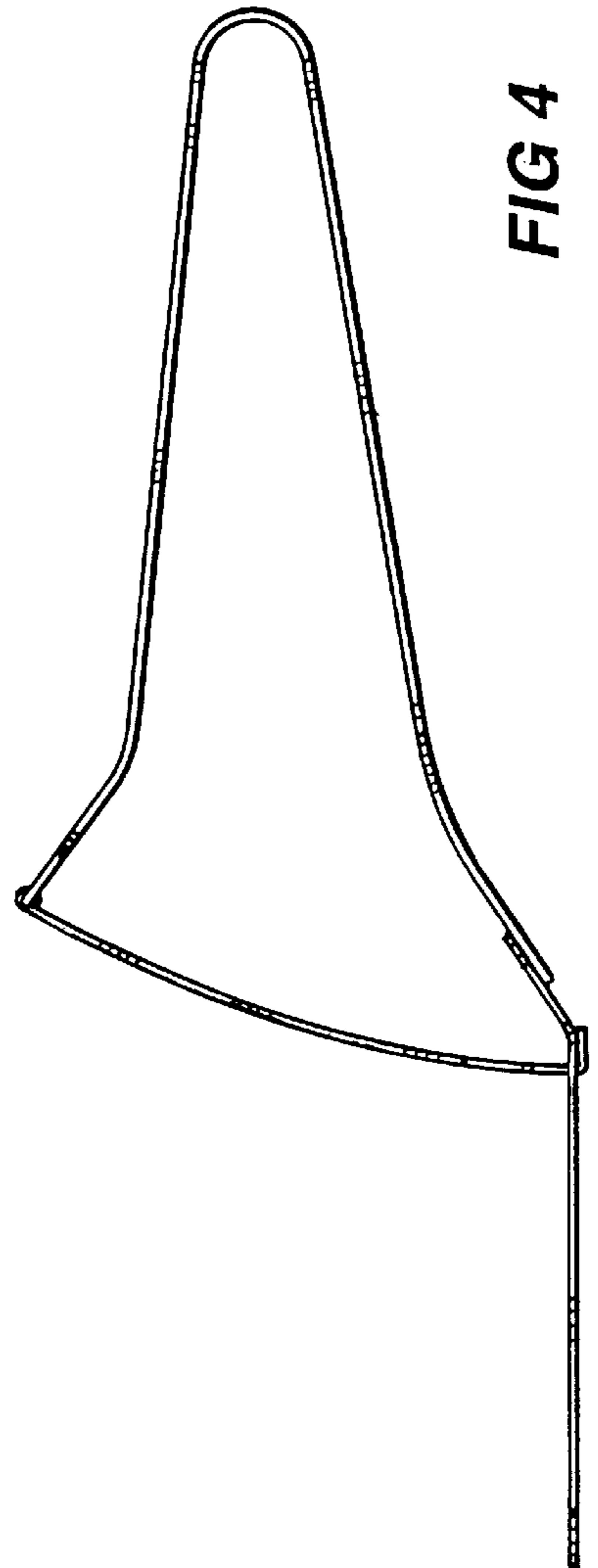
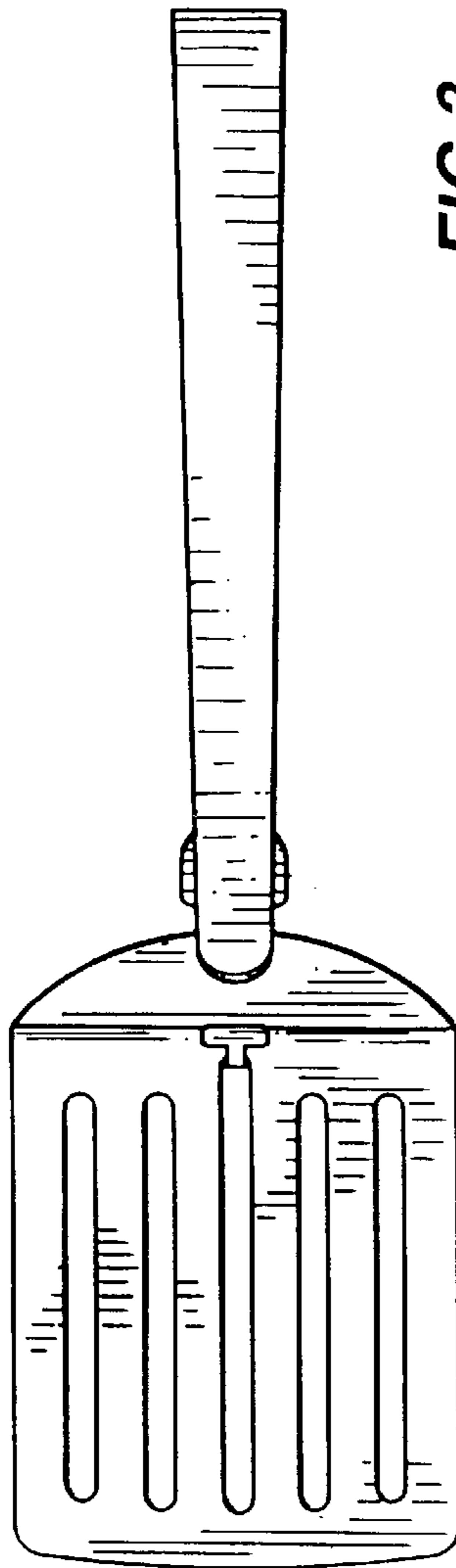
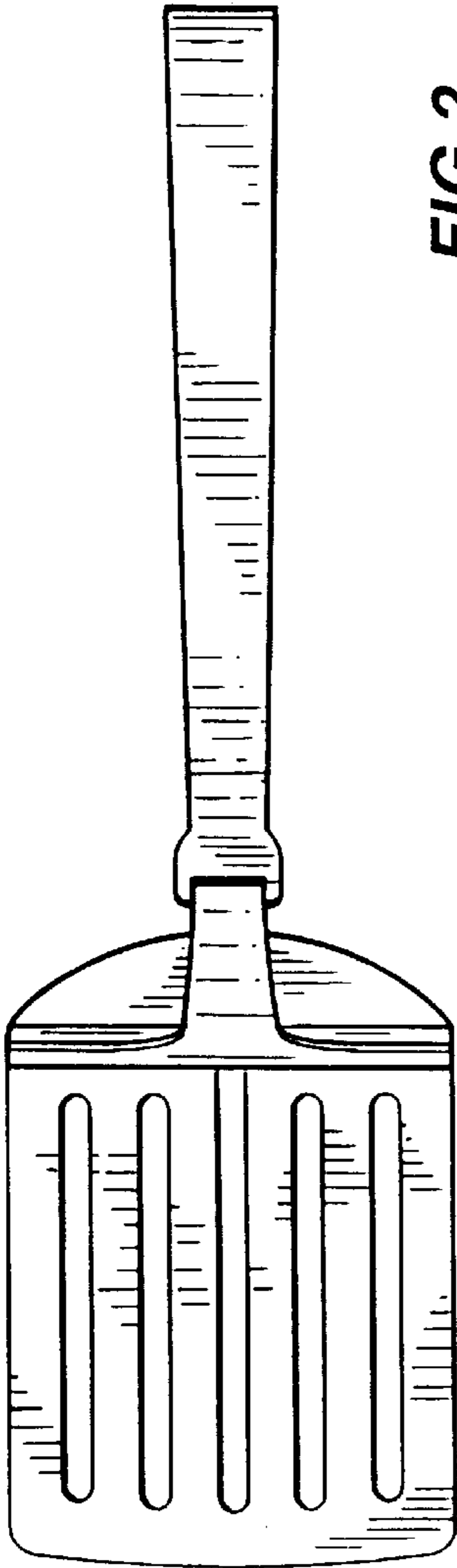


FIG 5