



US00D437188S

(12) **United States Design Patent**
Thackray

(10) **Patent No.:** **US D437,188 S**

(45) **Date of Patent:** **** Feb. 6, 2001**

(54) **CITRUS PRESS**

(75) **Inventor:** **Donald Thackray**, Groningen (NL),
9725 JD

(73) **Assignee:** **U.S. Philips Corporation**, New York,
NY (US)

(**) **Term:** **14 Years**

(21) **Appl. No.:** **29/117,868**

(22) **Filed:** **Feb. 1, 2000**

(30) **Foreign Application Priority Data**

Aug. 9, 1999 (XH) DMA/004603

(51) **LOC (7) Cl.** **07-04**

(52) **U.S. Cl.** **D7/665**

(58) **Field of Search** D7/665, 666, 678;
99/499, 501-508; 241/100

(56) **References Cited**

U.S. PATENT DOCUMENTS

D. 379,744 * 6/1997 Thackray D7/665

D. 399,709 * 10/1998 Lee D7/665
1,674,475 * 6/1928 Loomis 99/508
5,088,392 * 2/1992 Ancona et al. 99/499

* cited by examiner

Primary Examiner—Terry A. Wallace

(74) *Attorney, Agent, or Firm*—Ernestine C. Bartlett

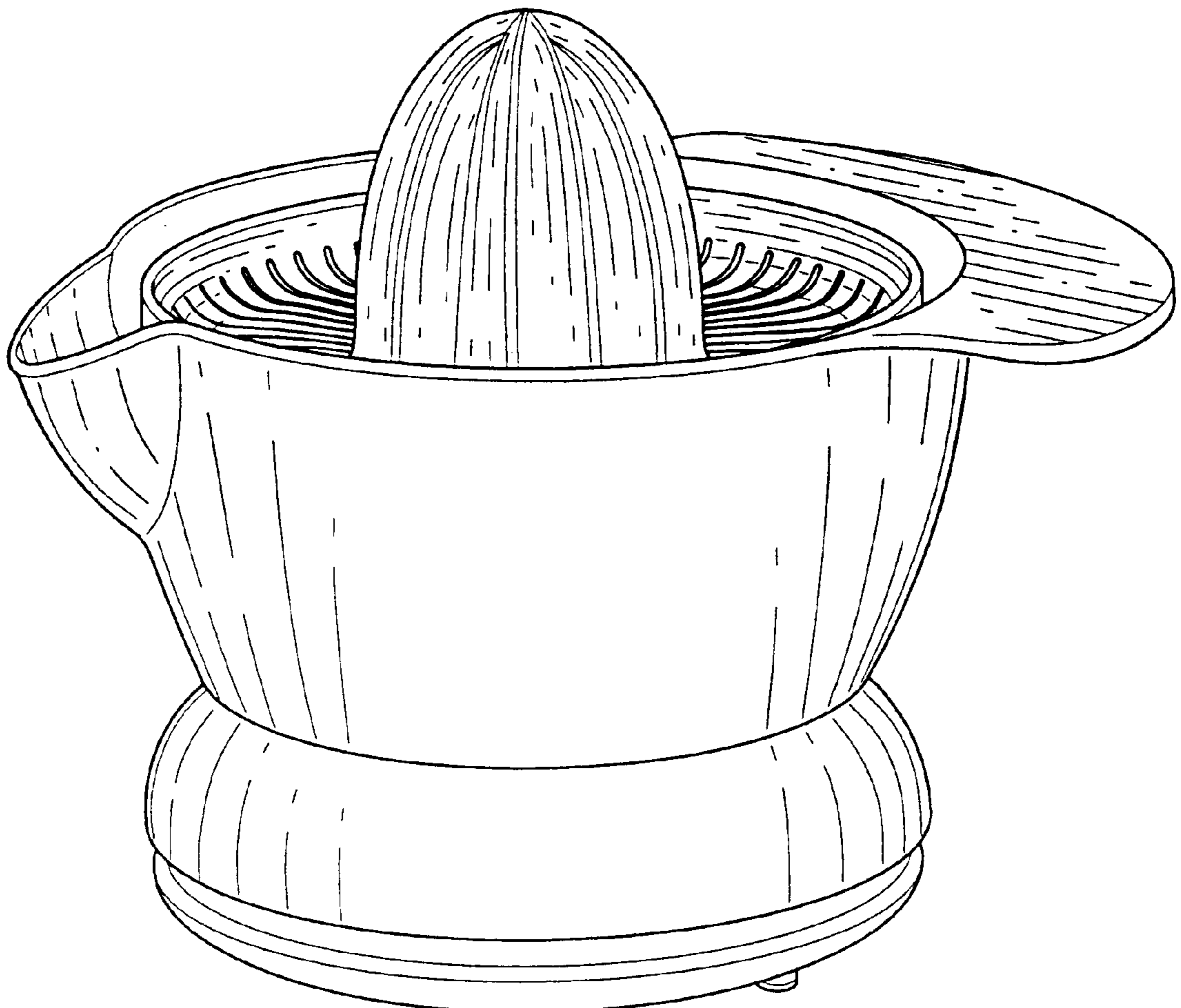
(57) **CLAIM**

The ornamental design for a citrus press, as shown.

DESCRIPTION

FIG. 1 is a perspective view showing my design;
FIG. 2 is a front elevational view thereof;
FIG. 3 is a rear elevational view thereof;
FIG. 4 is a right side elevational view thereof;
FIG. 5 is a left side elevational view thereof;
FIG. 6 is a top plan view thereof; and,
FIG. 7 is a bottom plan view thereof.

1 Claim, 5 Drawing Sheets



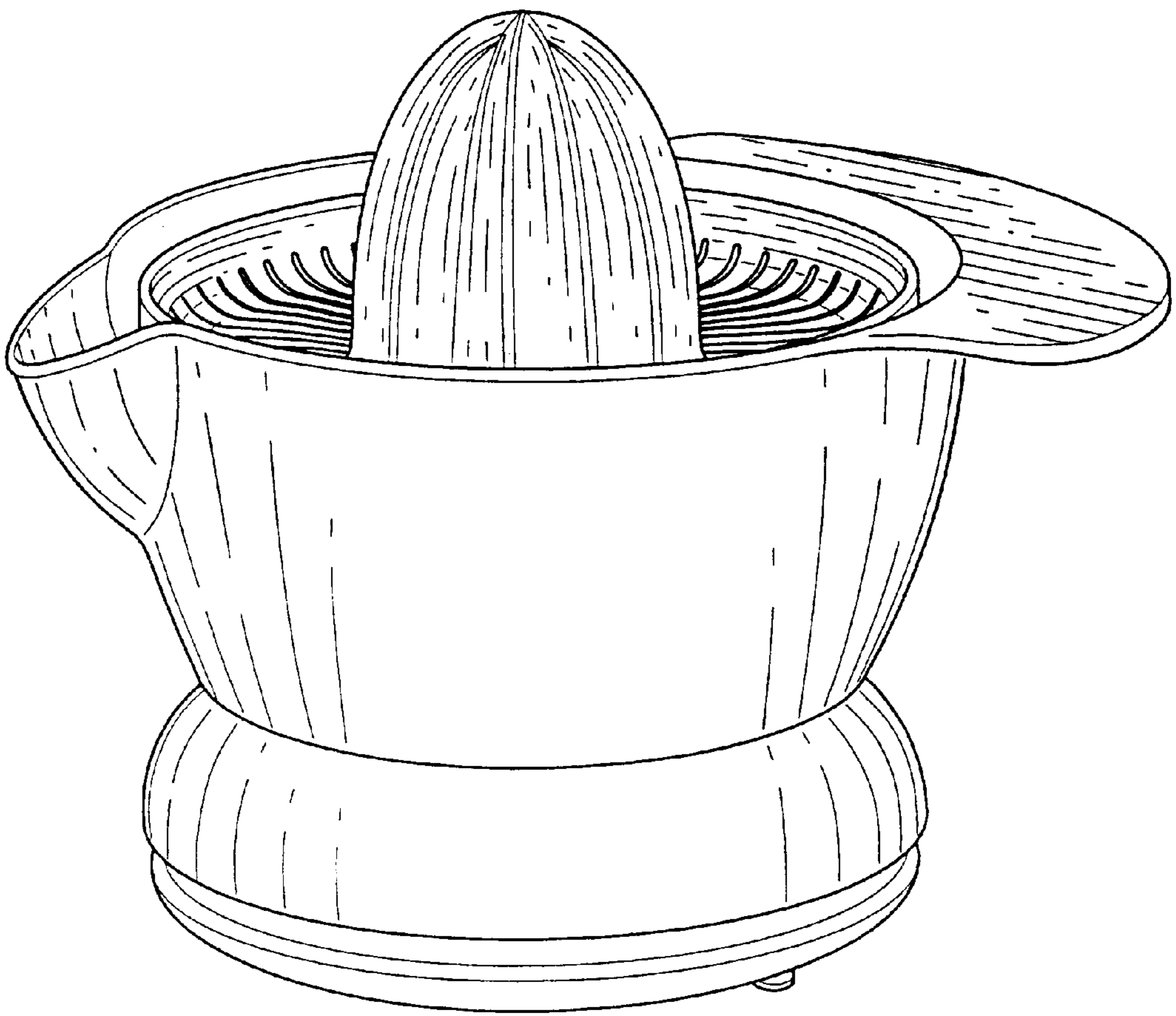


FIG. 1

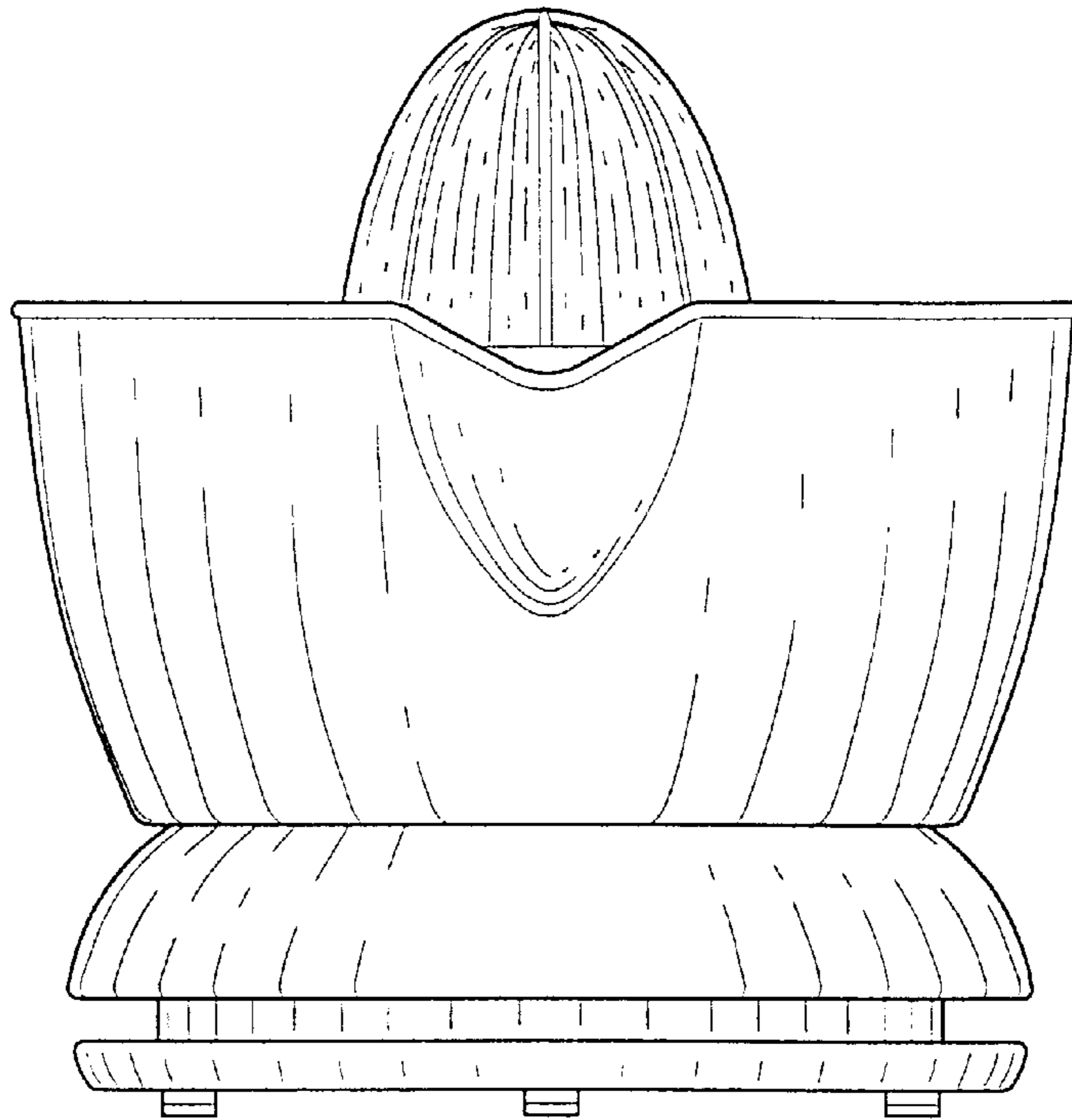


FIG. 2

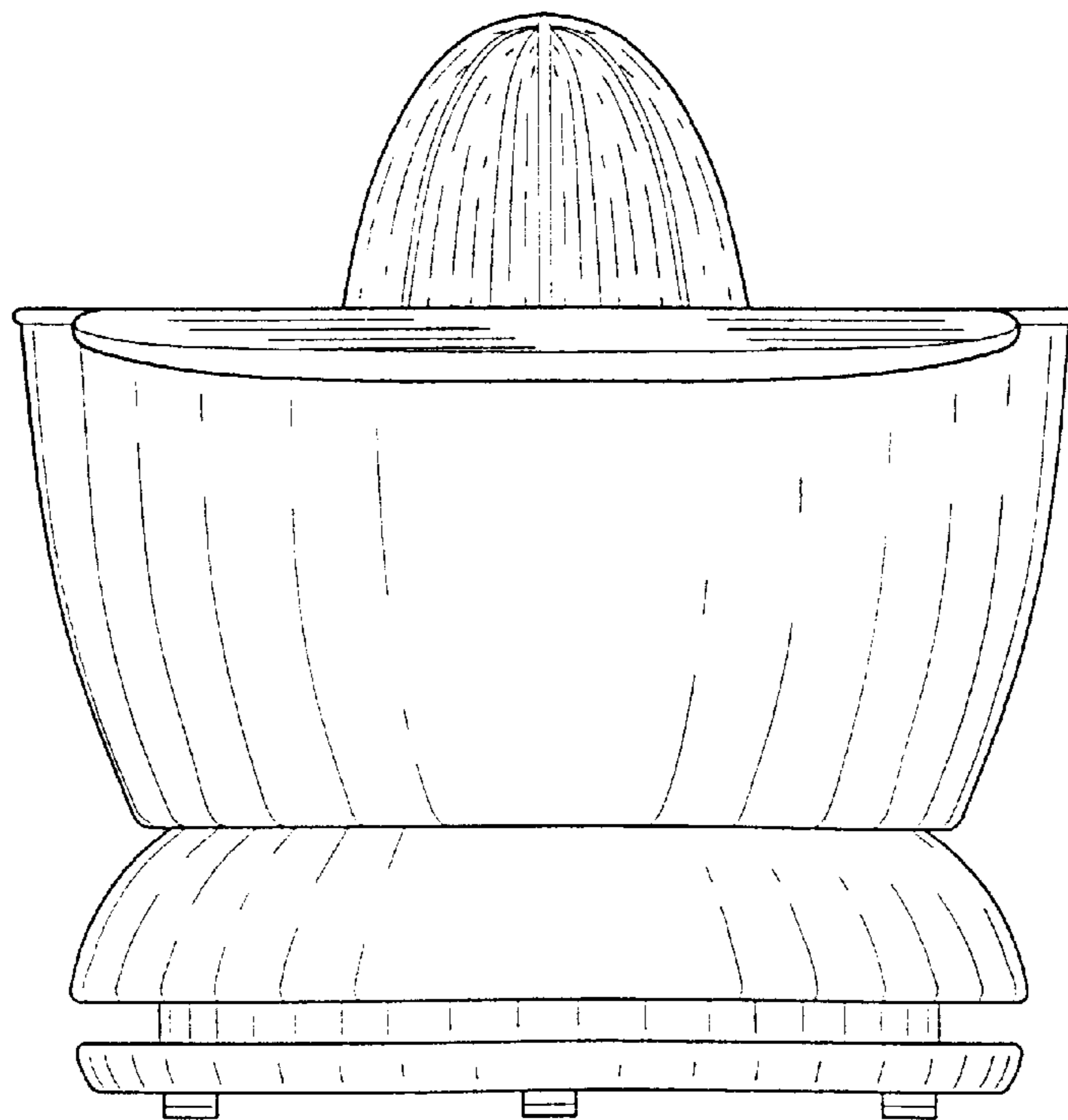


FIG. 3

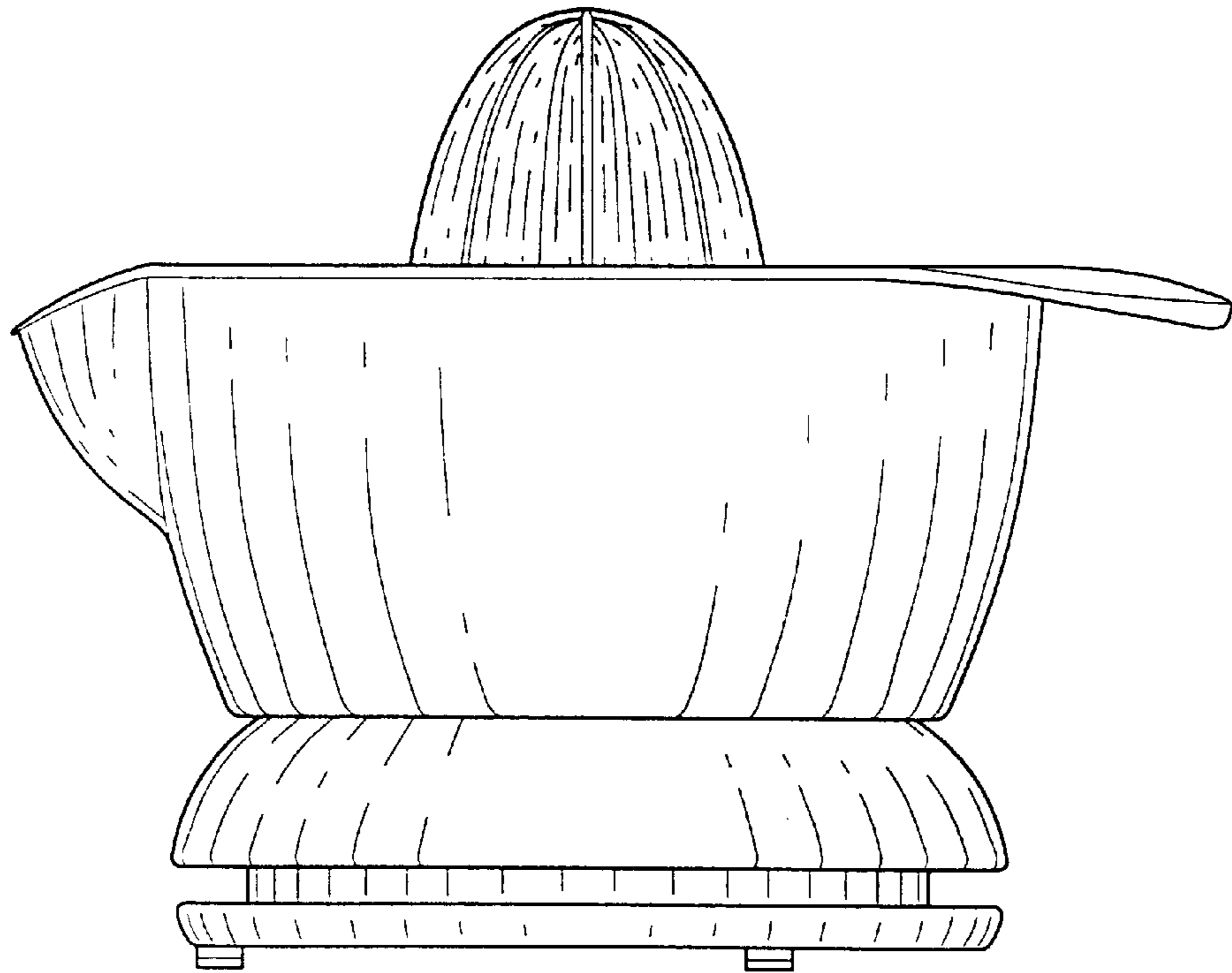


FIG. 4

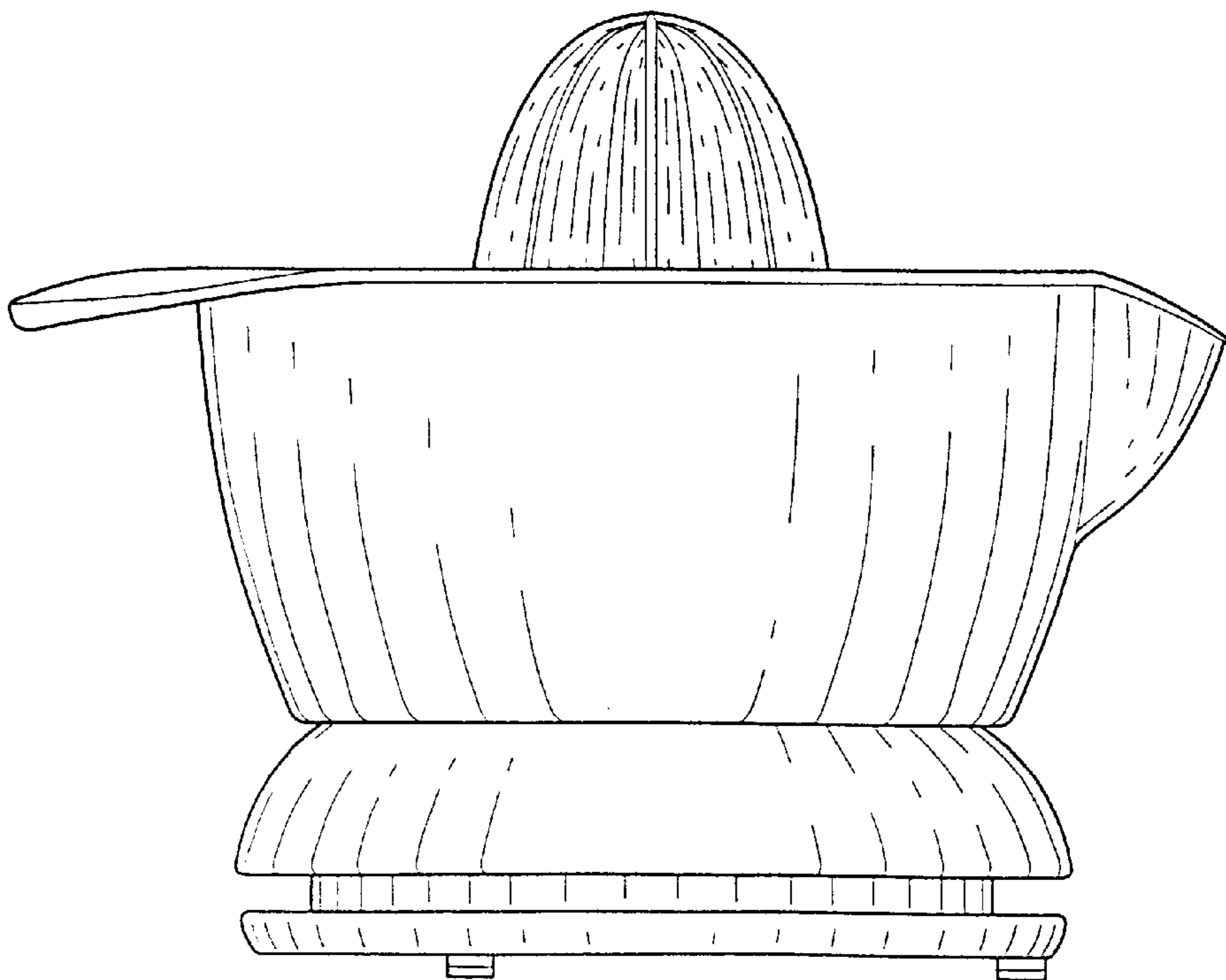


FIG. 5

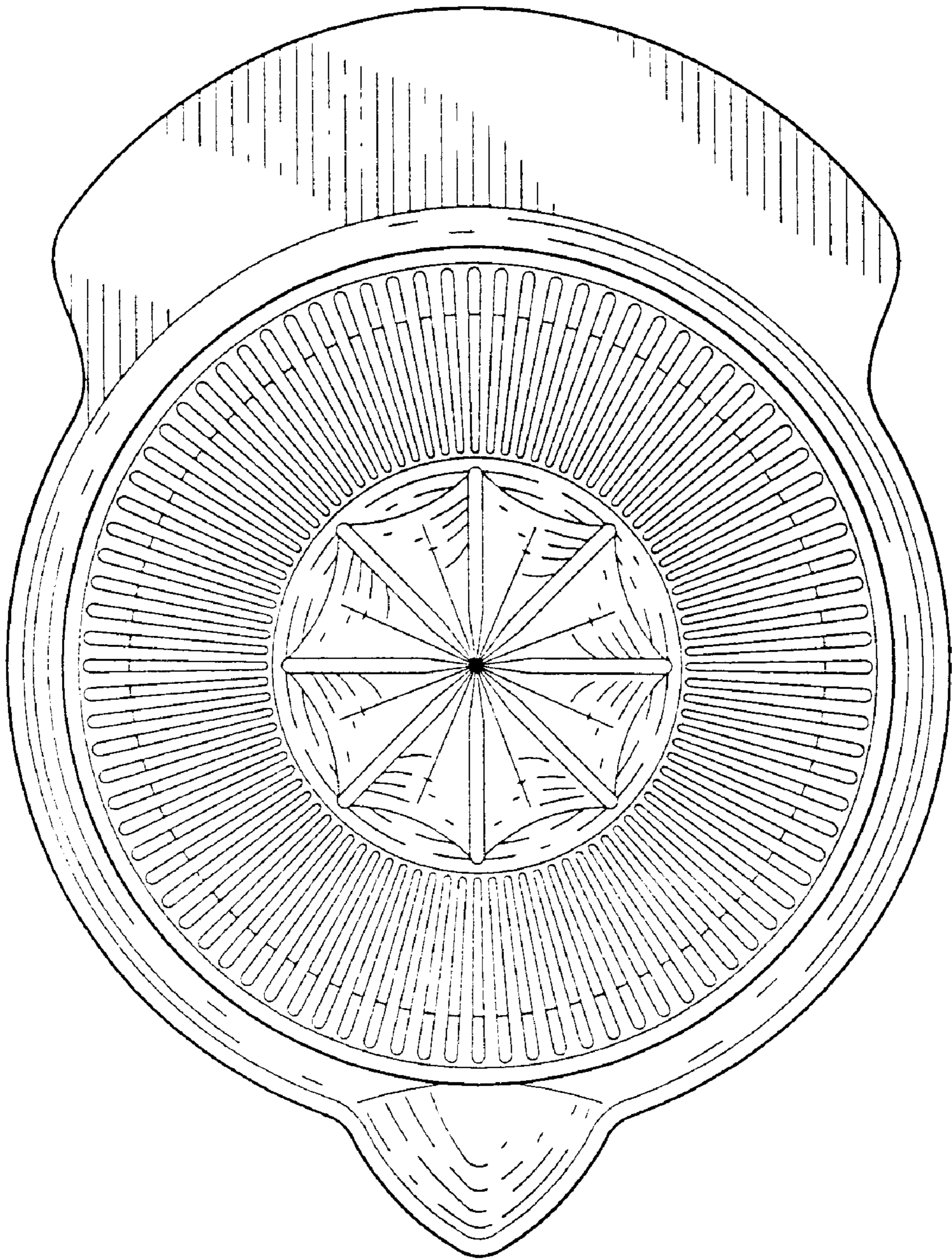


FIG. 6

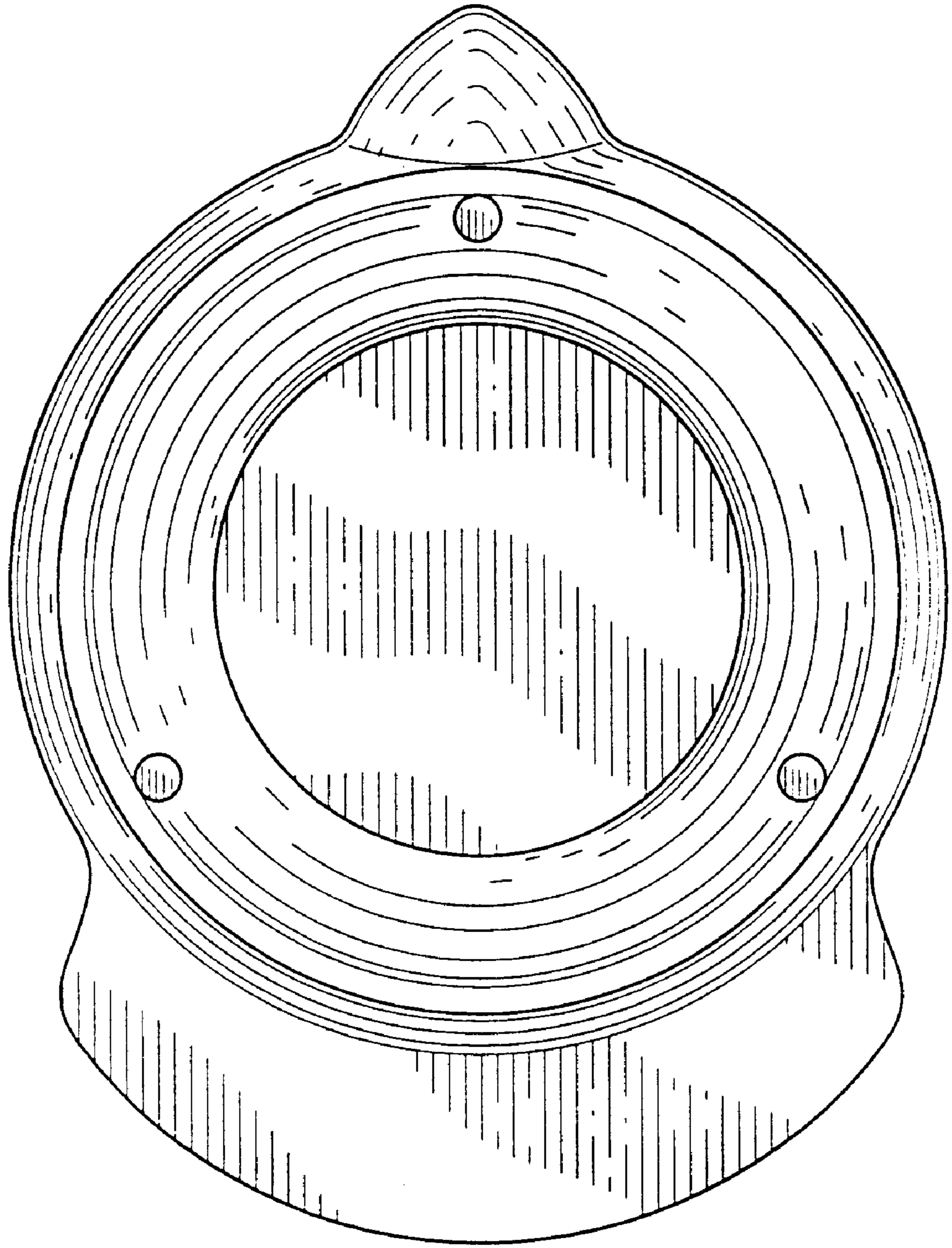


FIG. 7