



US00D437183S

(12) **United States Design Patent**  
**Wong et al.**

(10) **Patent No.:** **US D437,183 S**

(45) **Date of Patent:** **\*\* Feb. 6, 2001**

(54) **GRILL**

5,656,188 \* 8/1997 Janowiak et al. .... 219/438  
6,024,014 \* 2/2000 Kasai ..... 99/425

(75) Inventors: **Chok Wai Wong; Wai Leung Lin,**  
both of Kowloon (HK)

\* cited by examiner

(73) Assignee: **Eastern Sources Housewares (Hong Kong) Limited (HK)**

*Primary Examiner*—Ruth McInroy

(74) *Attorney, Agent, or Firm*—Reese Taylor

(\*\*) Term: **14 Years**

(57) **CLAIM**

We claim the ornamental design for a grill, as shown and described.

(21) Appl. No.: **29/115,440**

(22) Filed: **Dec. 15, 1999**

**DESCRIPTION**

(51) **LOC (7) Cl.** ..... **07-02**

(52) **U.S. Cl.** ..... **D7/362**

(58) **Field of Search** ..... D7/362–367, 402;  
99/422, 425, 445–446, 450; 219/429, 432,  
433, 443.1, 450.1, 451.1

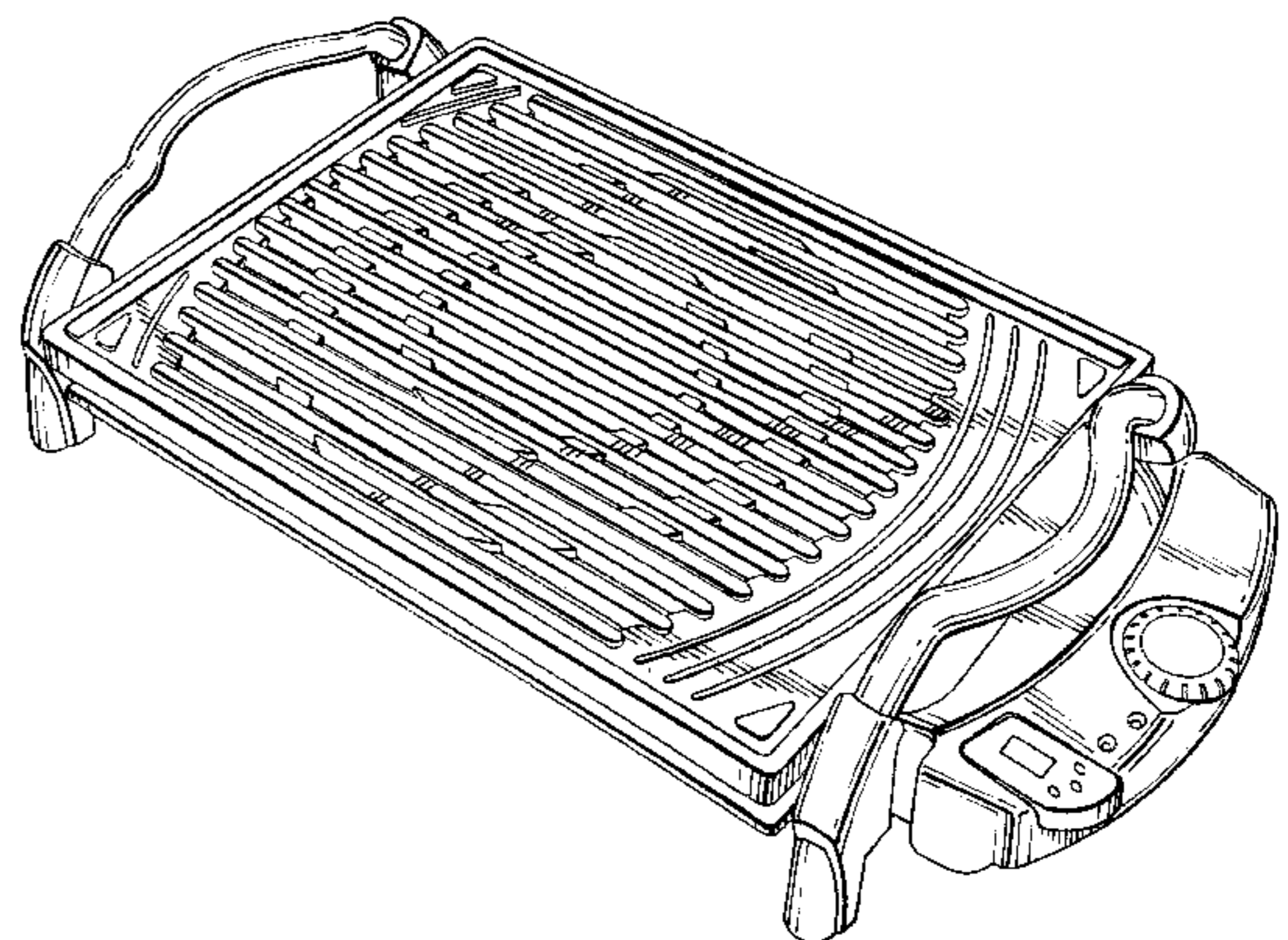
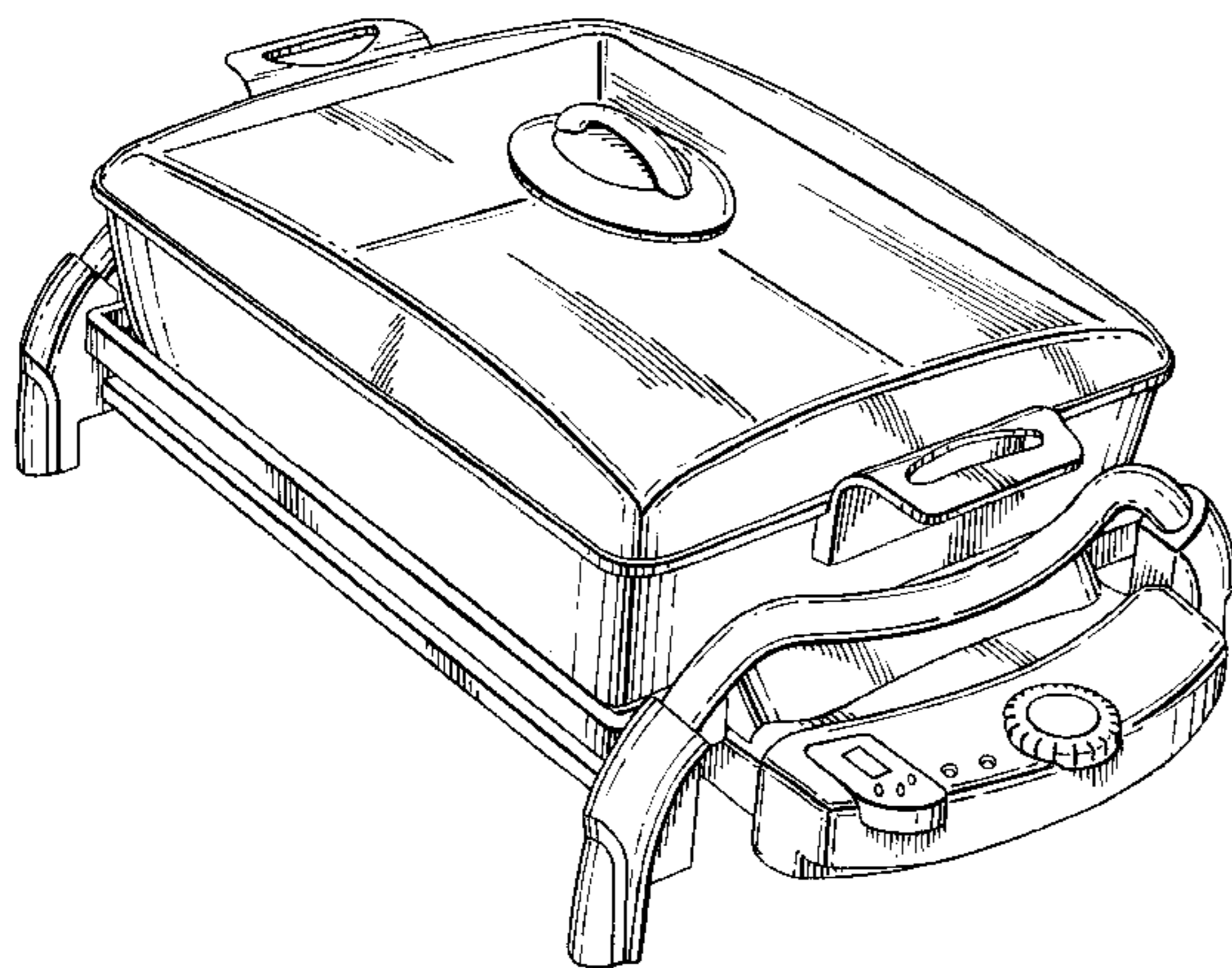
FIG. 1 is a perspective view of a grill showing our design;  
FIG. 2 is a front view thereof;  
FIG. 3 is a rear view thereof;  
FIG. 4 is a side view thereof;  
FIG. 5 is the other side view thereof;  
FIG. 6 is a top view thereof;  
FIG. 7 is an alternative perspective view showing the grill without the fry pan;  
FIG. 8 is a front view of the grill without the fry pan thereof;  
FIG. 9 is a rear view of the grill without the fry pan thereof;  
FIG. 10 is a side view of the grill without the fry pan thereof;  
FIG. 11 is the other side view of the grill without the fry pan thereof; and,  
FIG. 12 is a top view of the grill without the fry pan thereof.  
FIGS. 7–12 are shown separate for clarity of illustration, the claim being directed to the entire grill shown in FIGS. 1–6.

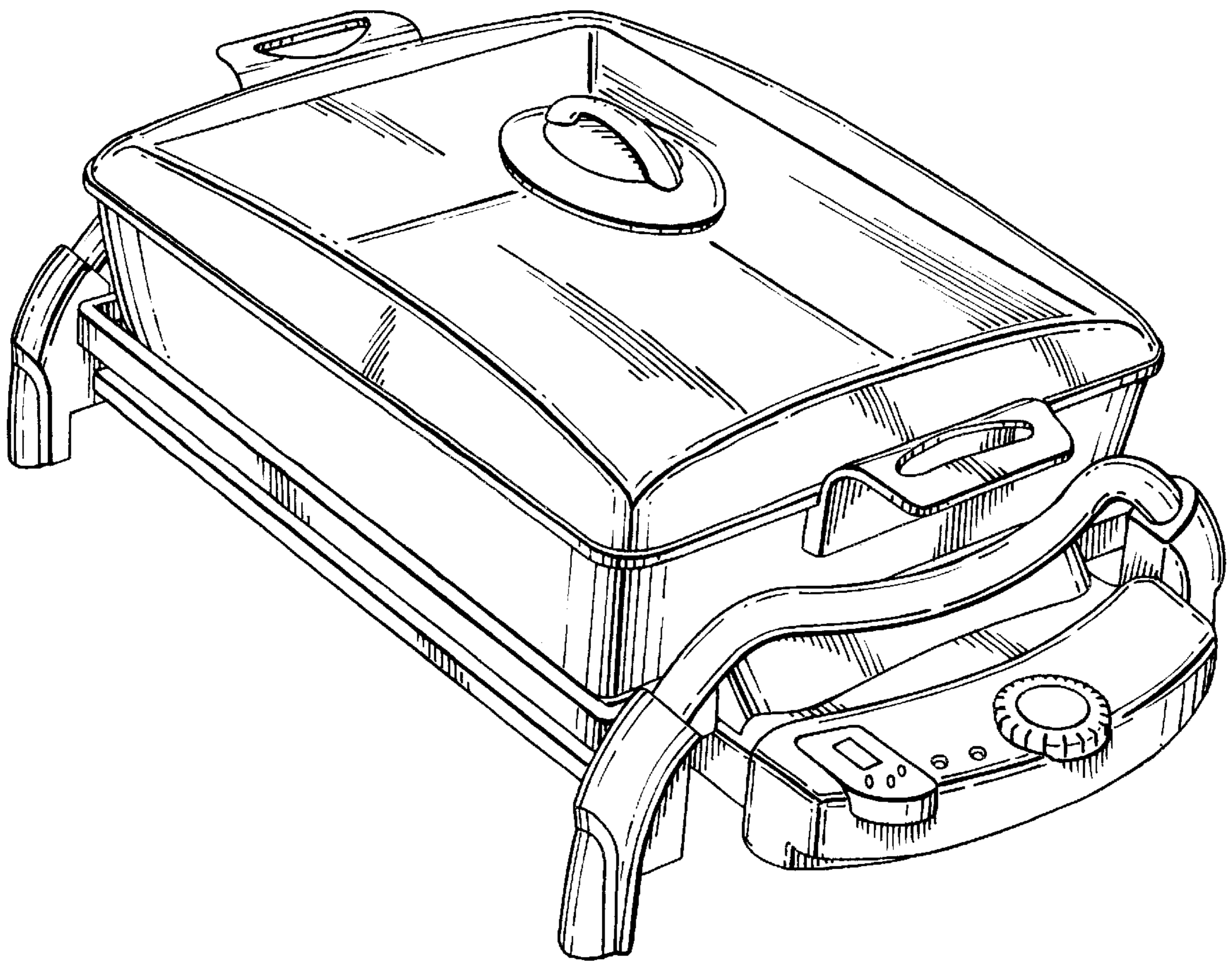
(56) **References Cited**

**U.S. PATENT DOCUMENTS**

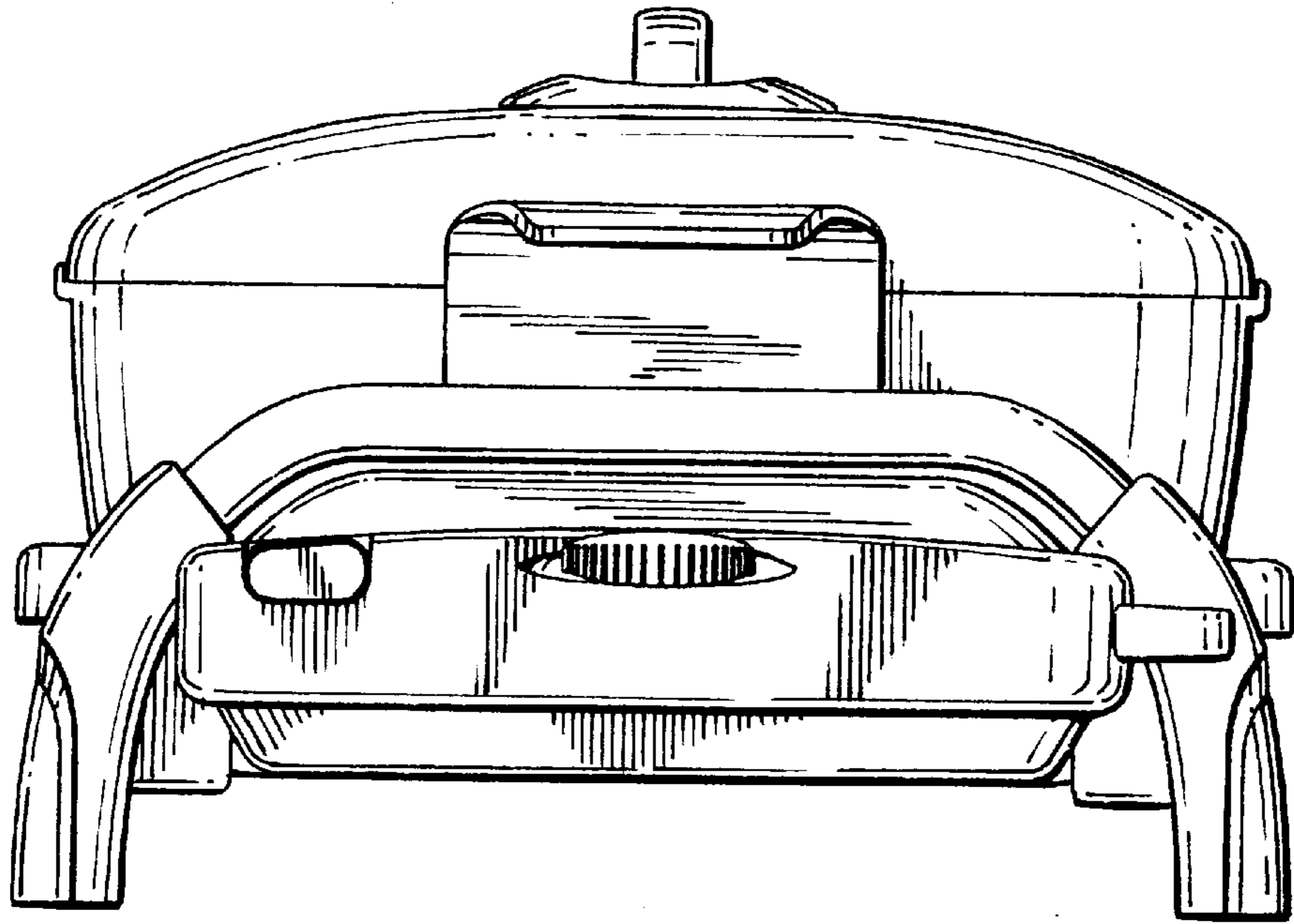
D. 190,212	*	4/1961	Ernest	.....	D7/363
D. 358,737	*	5/1995	Mendelson et al.	.....	D7/362
D. 359,652	*	6/1995	Mendelson et al.	.....	D7/362
D. 366,592	*	1/1996	Cesaroni et al.	.....	D7/360
D. 377,134	*	1/1997	Touche	.....	D7/362
D. 380,342	*	7/1997	Edmonds	.....	D7/363
D. 394,584	*	5/1998	Weber	.....	D7/363
D. 409,041	*	5/1999	Barker	.....	D7/362
D. 414,982	*	10/1999	Hopkins et al.	.....	D7/362

**1 Claim, 8 Drawing Sheets**

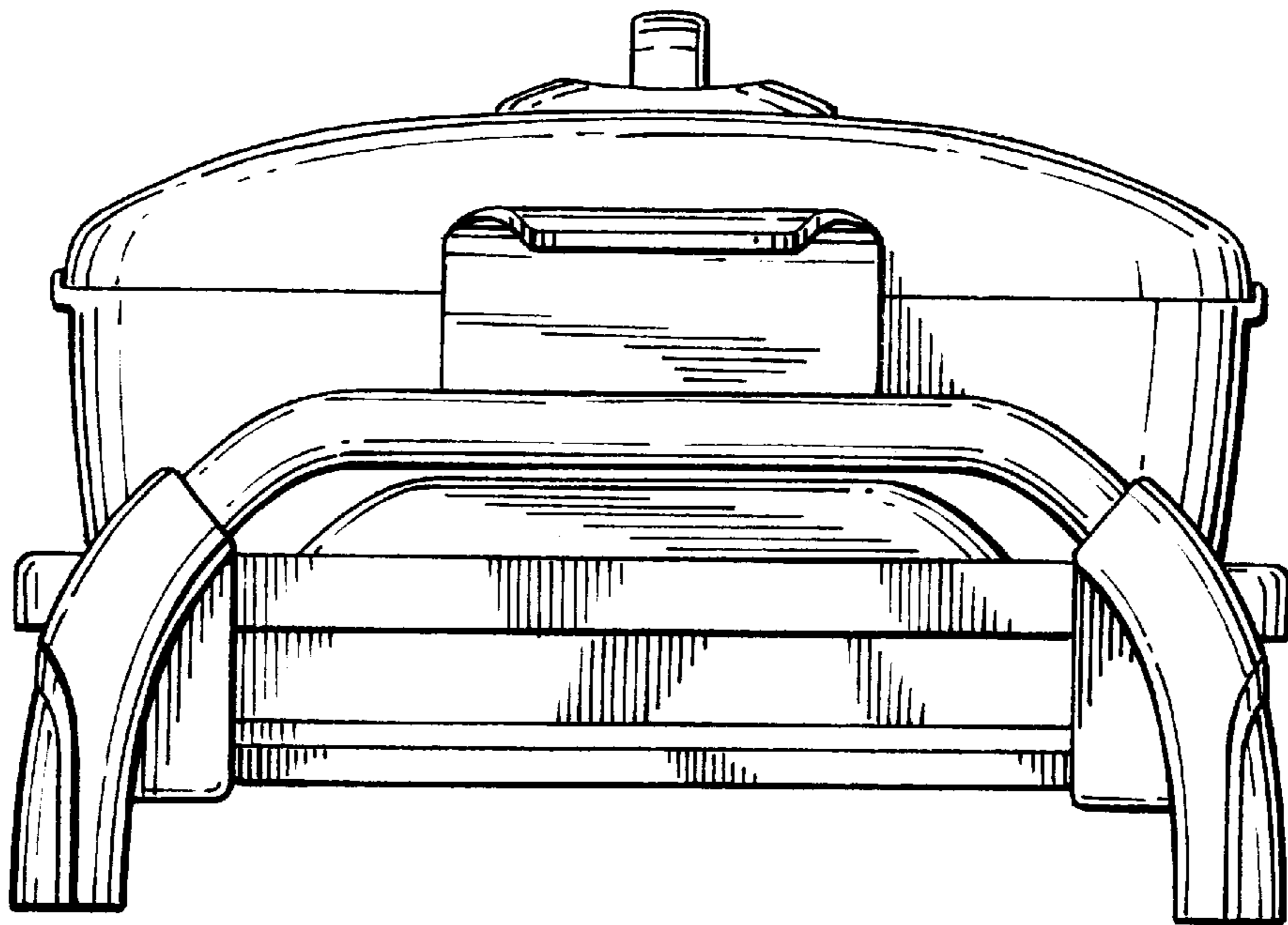




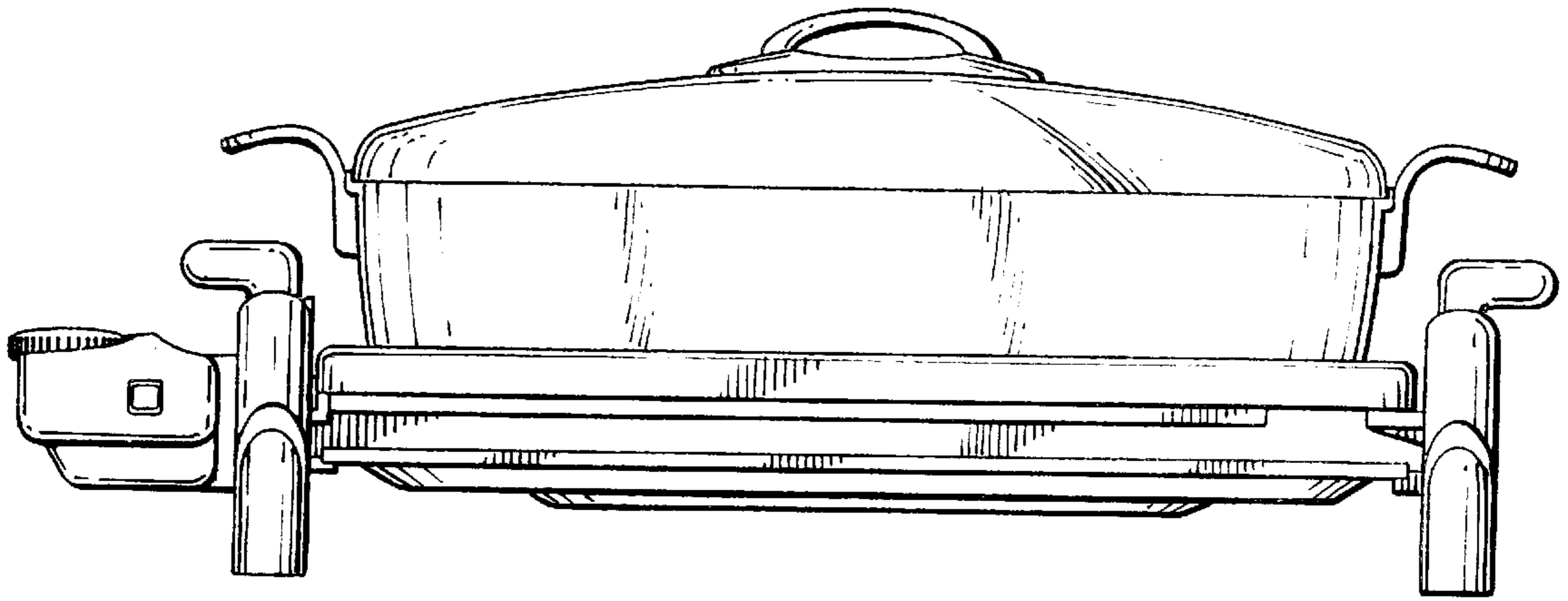
*FIG. 1*



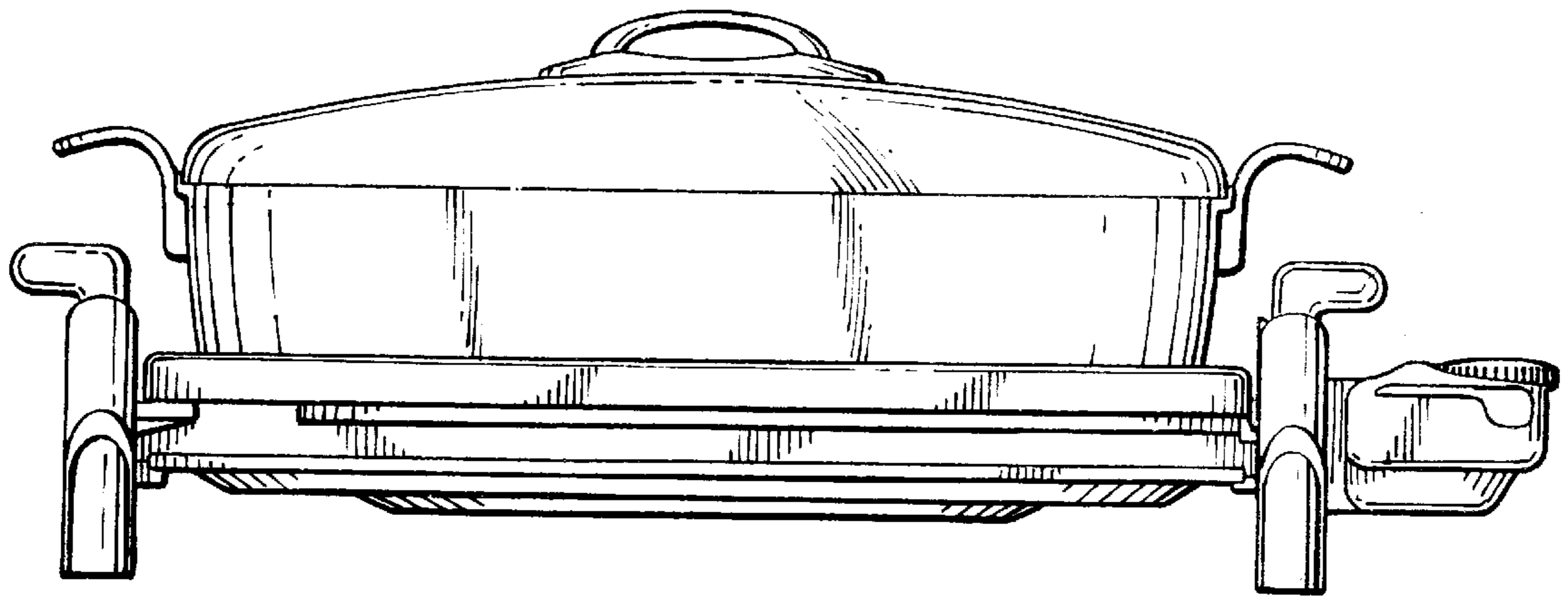
*FIG. 2*



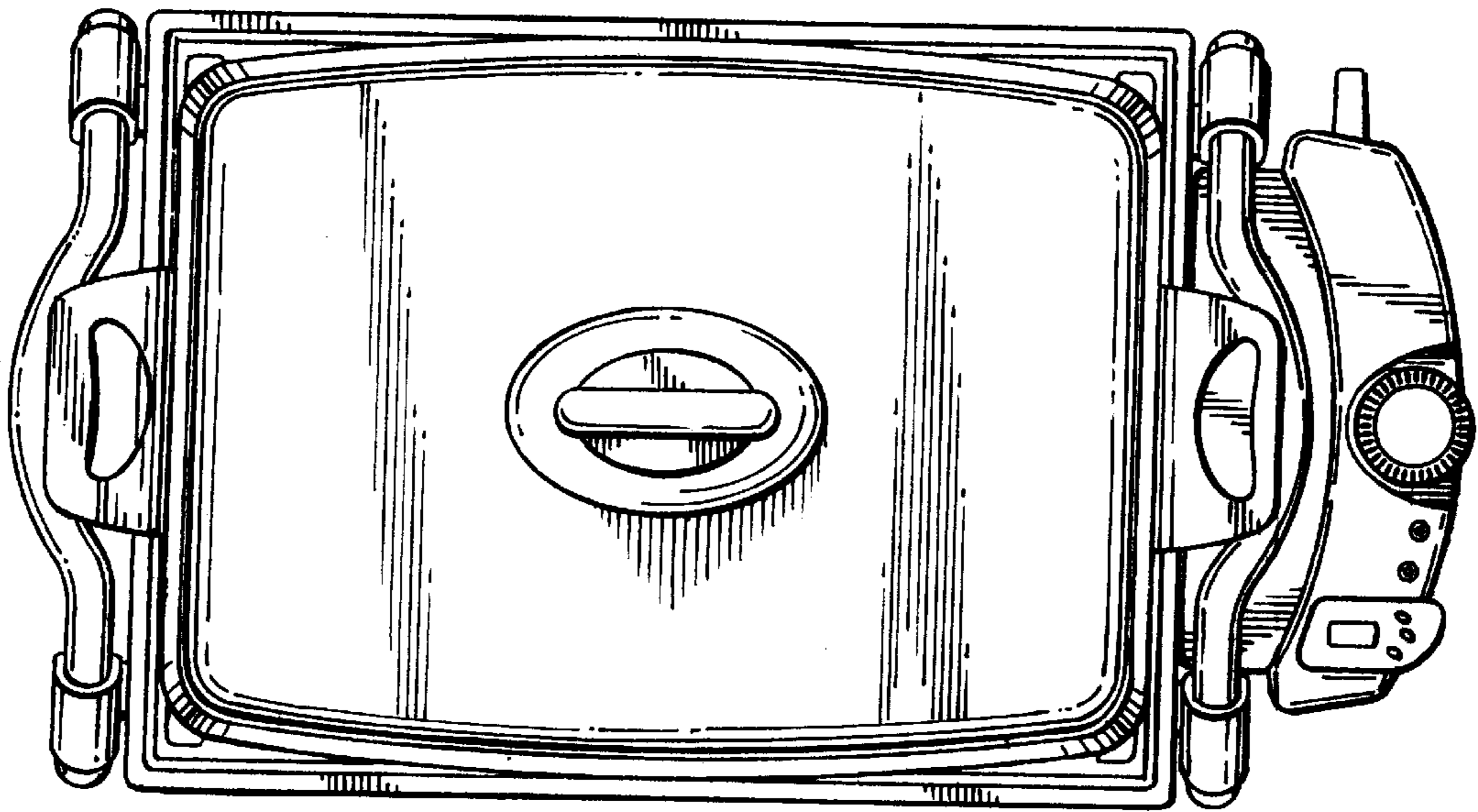
*FIG. 3*



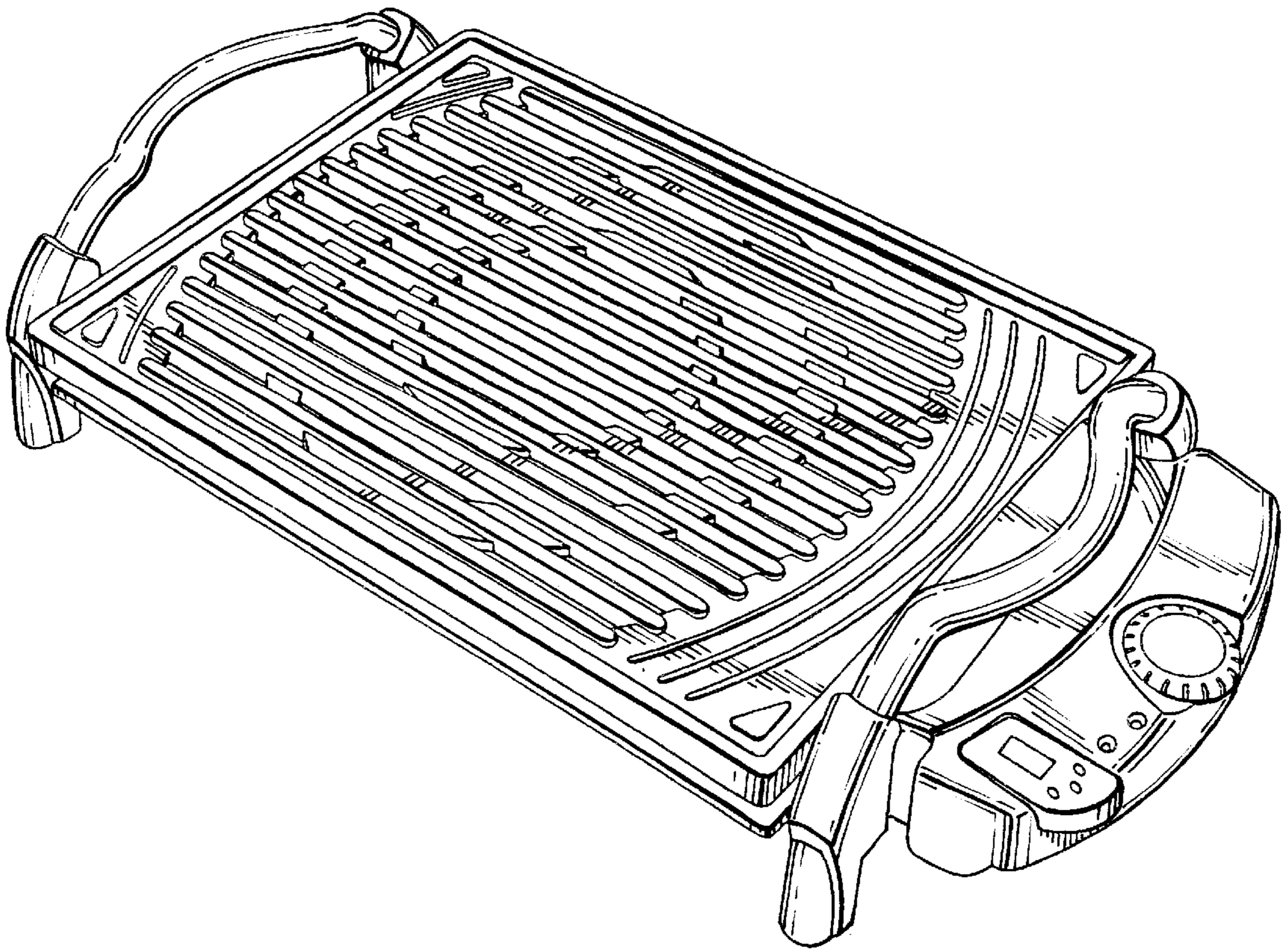
*FIG. 4*



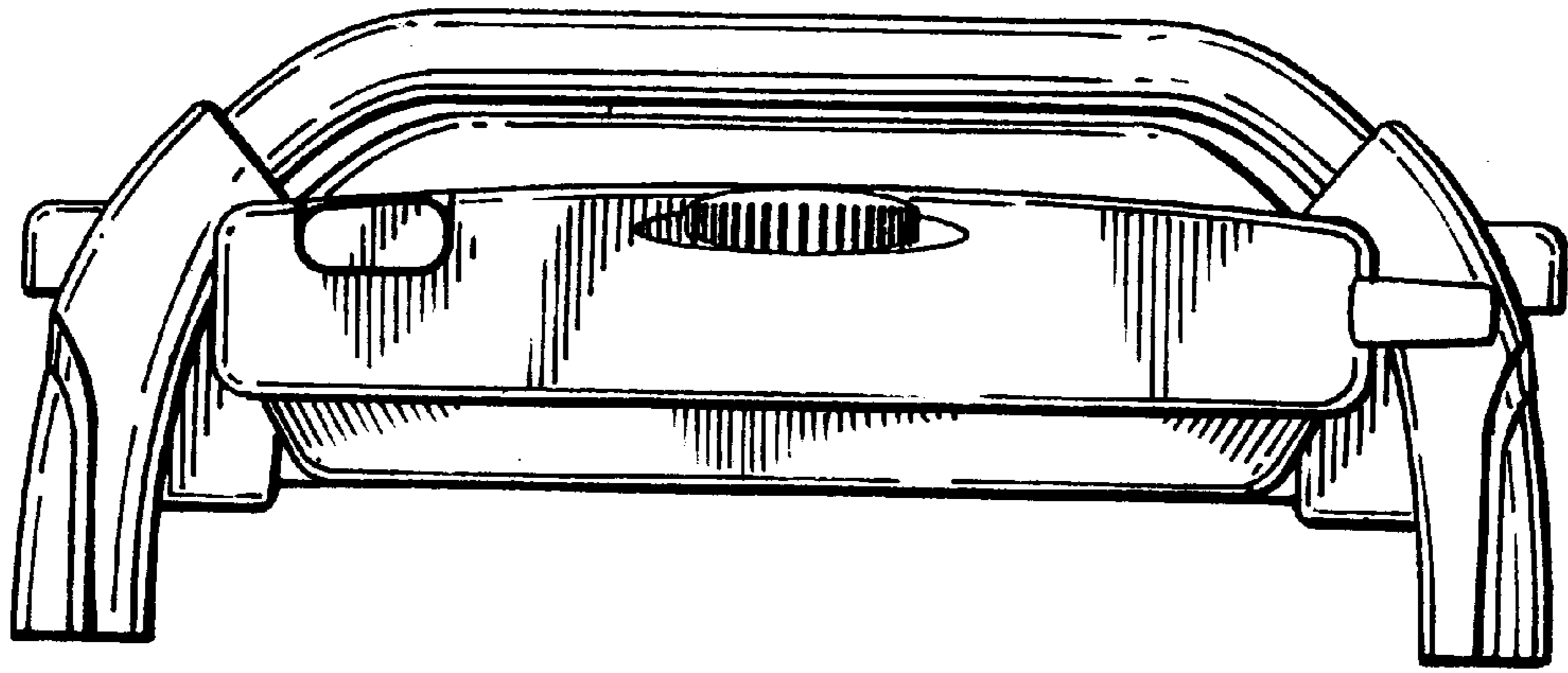
*FIG. 5*



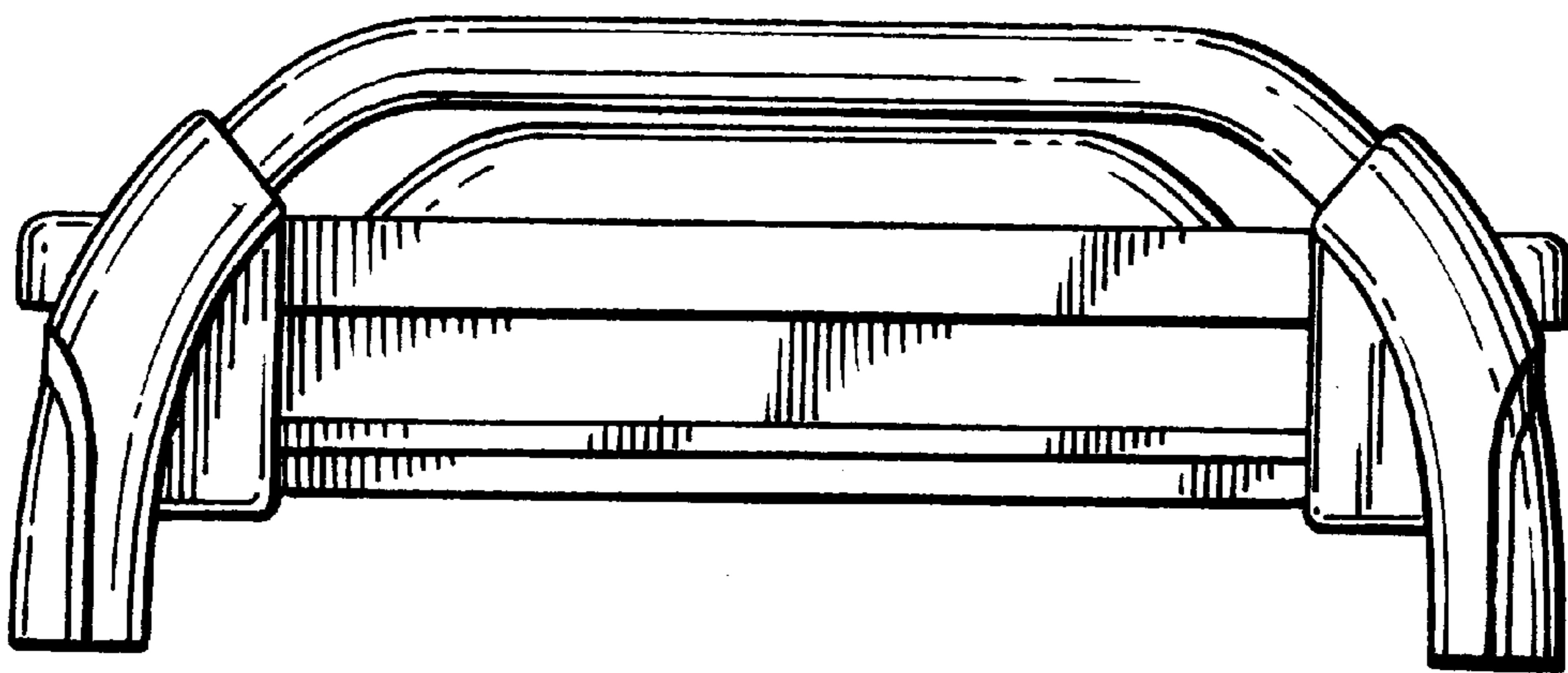
*FIG. 6*



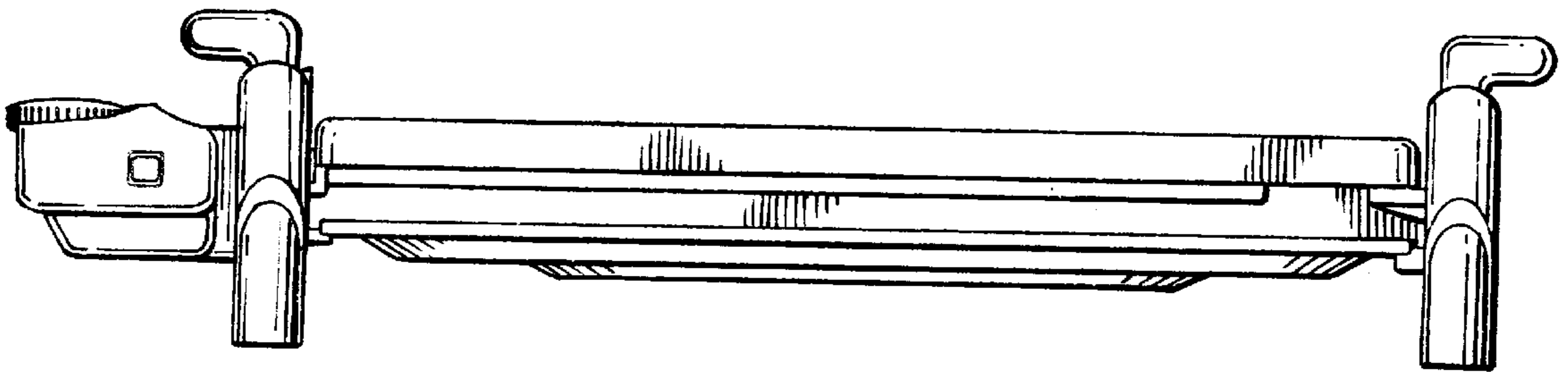
*FIG. 7*



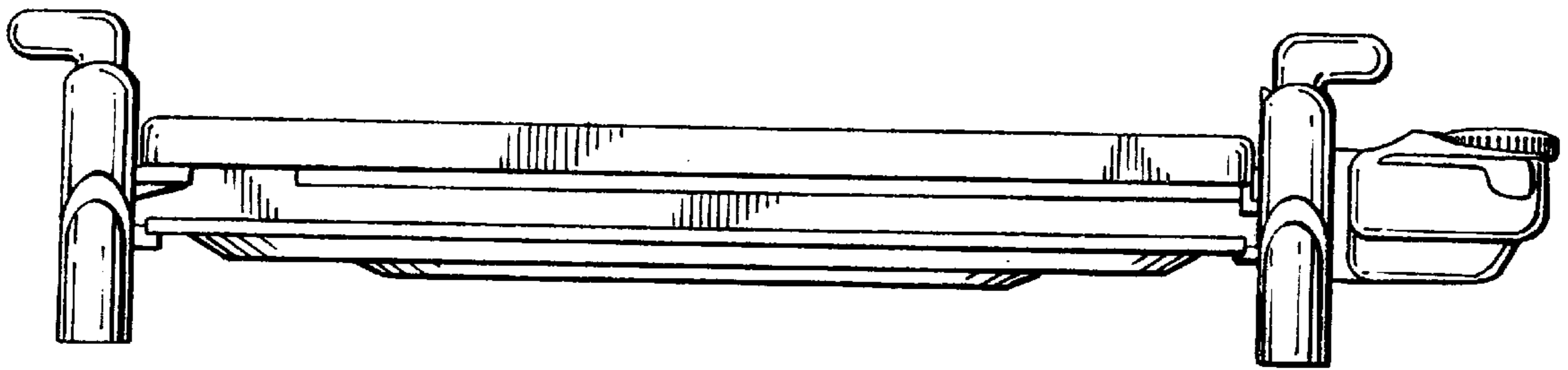
**FIG. 8**



**FIG. 9**

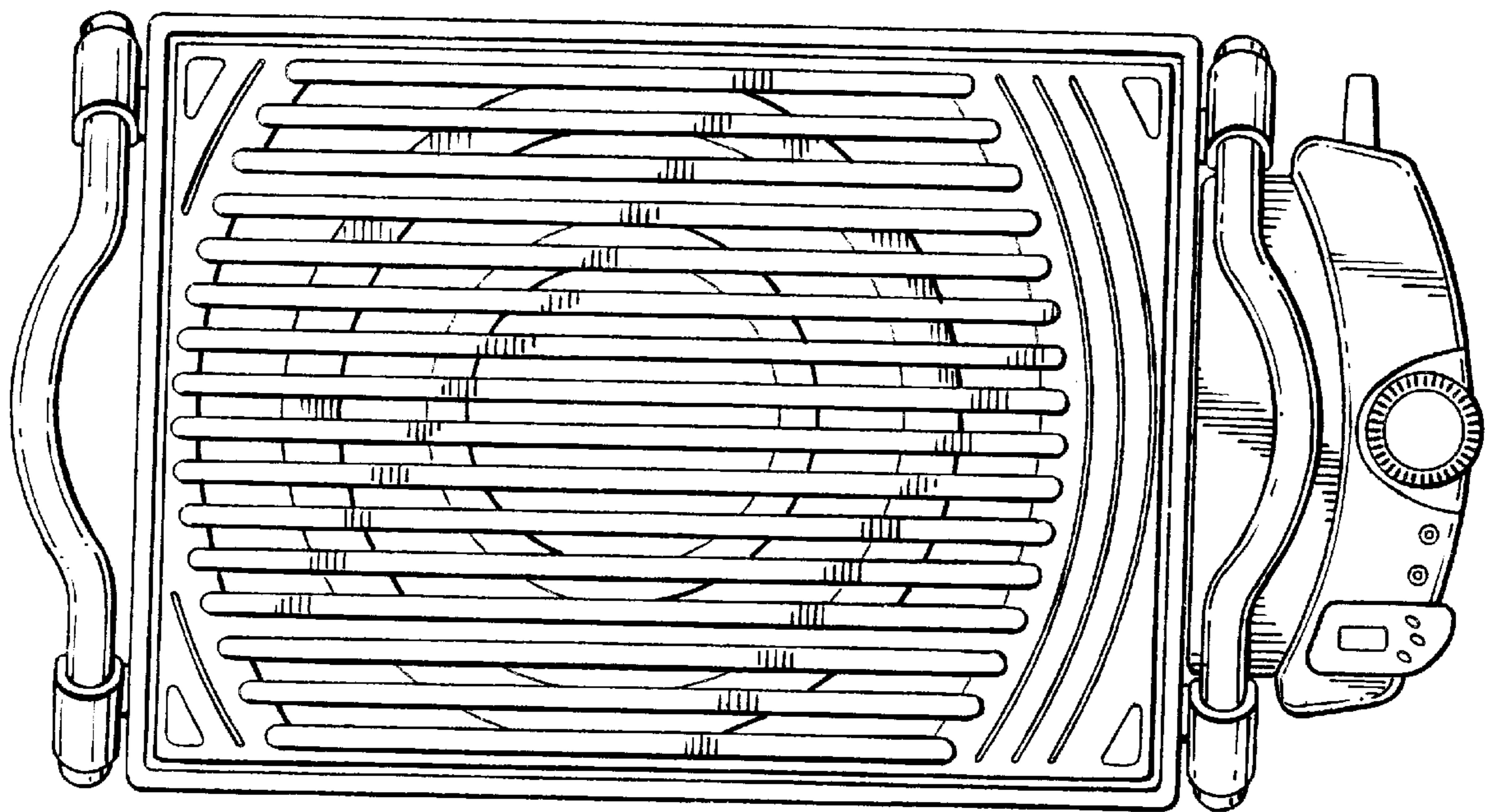


*FIG. 10*



*FIG. 11*





*FIG. 12*