



US00D437182S

(12) **United States Design Patent**
Choi

(10) **Patent No.:** **US D437,182 S**

(45) **Date of Patent:** **** Feb. 6, 2001**

(54) **PAN**

D. 369,272 * 4/1996 Mendelson et al. D7/360
5,467,696 * 11/1995 Everhart 99/425

(75) **Inventor:** **Lung Wai Choi, Kowloon (HK)**

* cited by examiner

(73) **Assignee:** **Goodway Electrical Co. Ltd.,
Kowloon (HK)**

Primary Examiner—Caron D. Veynar

(**) **Term:** **14 Years**

(74) *Attorney, Agent, or Firm*—Christensen O'Connor
Johnson Kindness PLLC

(21) **Appl. No.:** **29/115,168**

(57) **CLAIM**

(22) **Filed:** **Dec. 8, 1999**

The ornamental design for a pan, as shown and described.

(30) **Foreign Application Priority Data**

DESCRIPTION

Jun. 10, 1999 (GB) 2084044

FIG. 1 is a perspective view of my pan;

(51) **LOC (7) Cl.** **07-02**

FIG. 2 is a top view thereof;

(52) **U.S. Cl.** **D7/360; D7/362**

FIG. 3 is a bottom view thereof;

(58) **Field of Search** D7/323, 337, 354-362;
99/324, 325, 339, 341; 220/573.1, 912

FIG. 4 is a front side view thereof;

FIG. 5 is a rear side view thereof;

FIG. 6 is a left side view thereof;

FIG. 7 is a right side view thereof;

FIG. 8 is a top view of the pan shown without the lid for ease
of illustration; and,

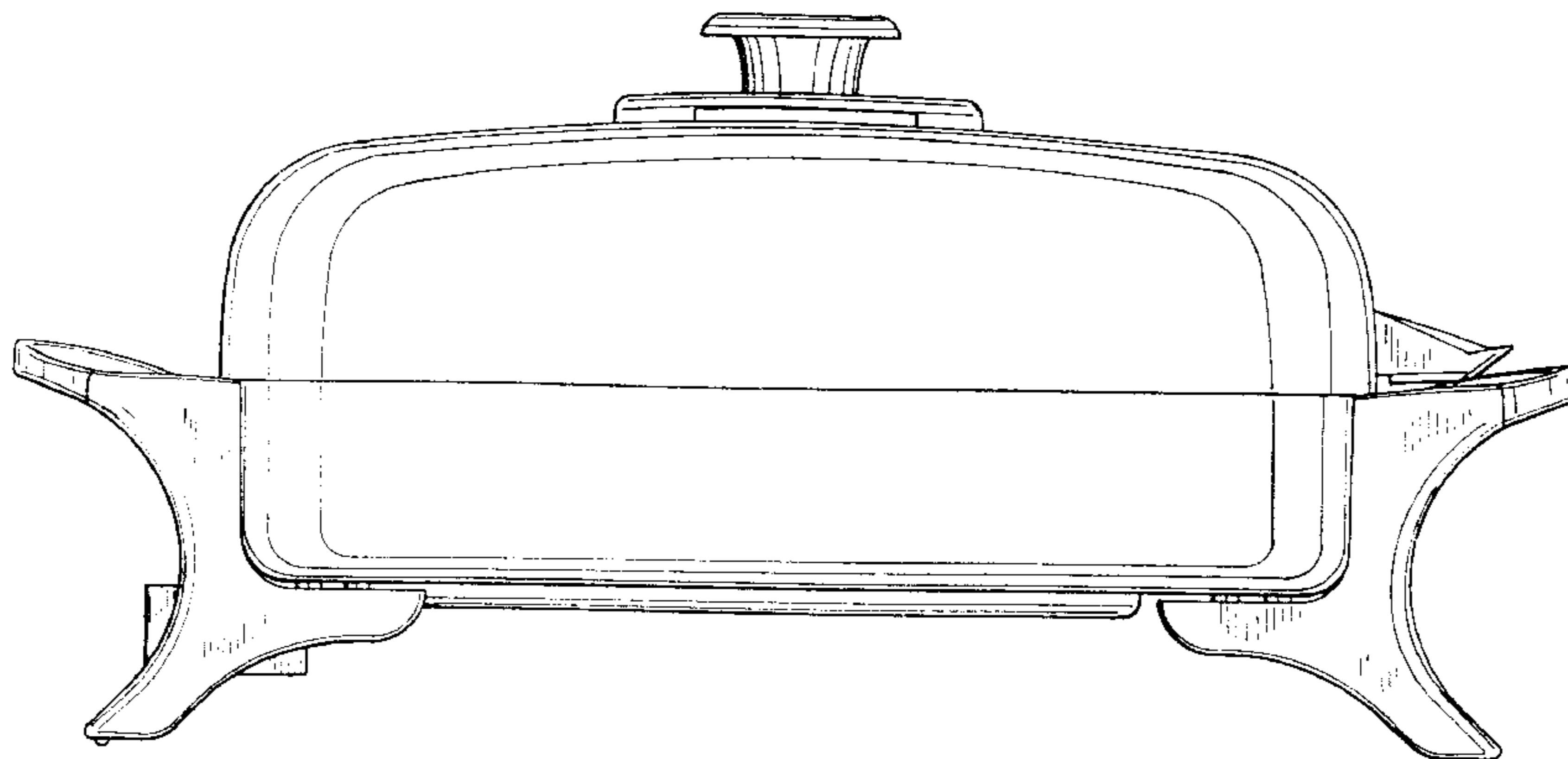
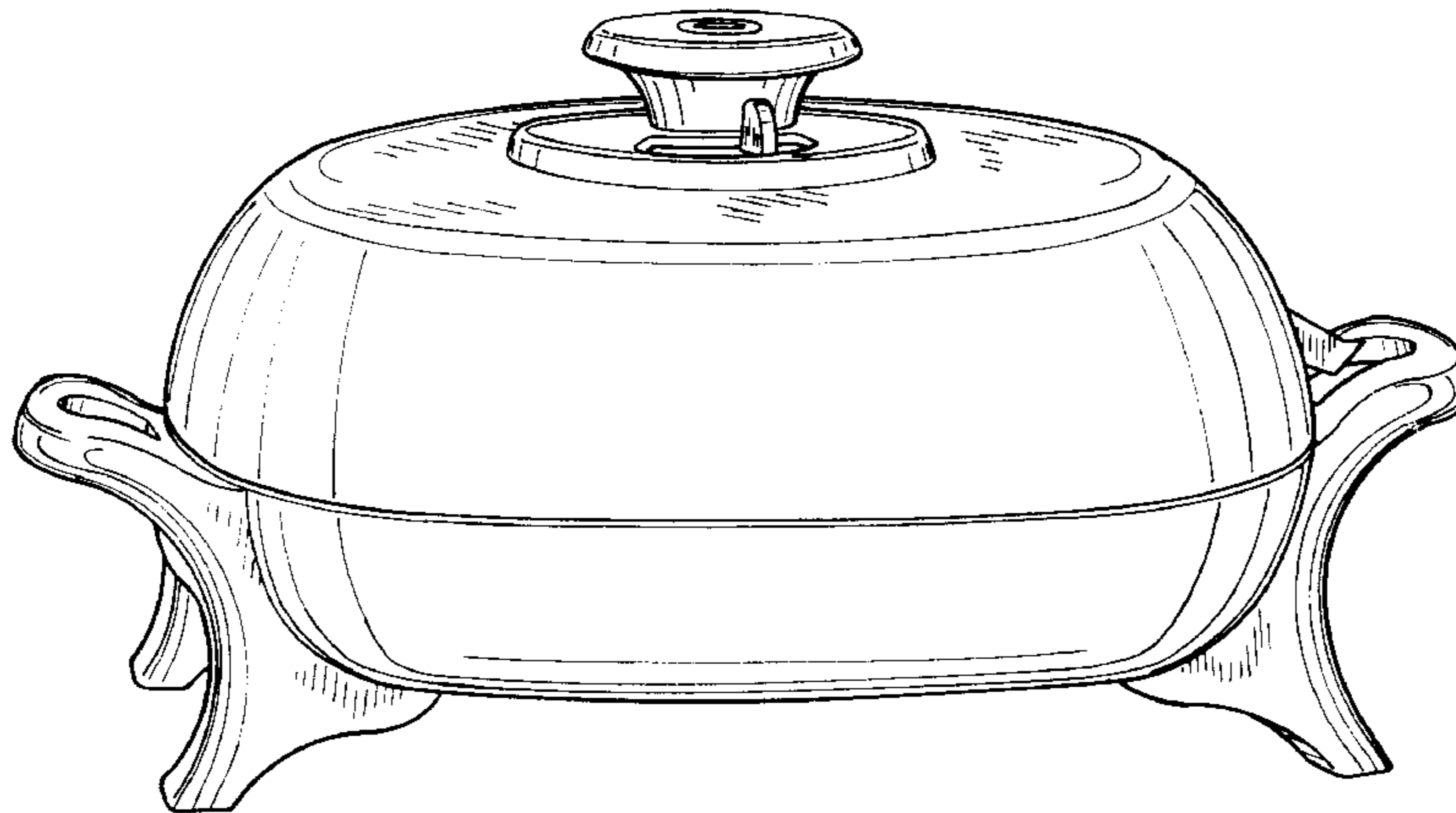
FIG. 9 is an exploded front side view thereof.

(56) **References Cited**

U.S. PATENT DOCUMENTS

D. 359,652 * 6/1995 Mendelson et al. D7/362

1 Claim, 4 Drawing Sheets



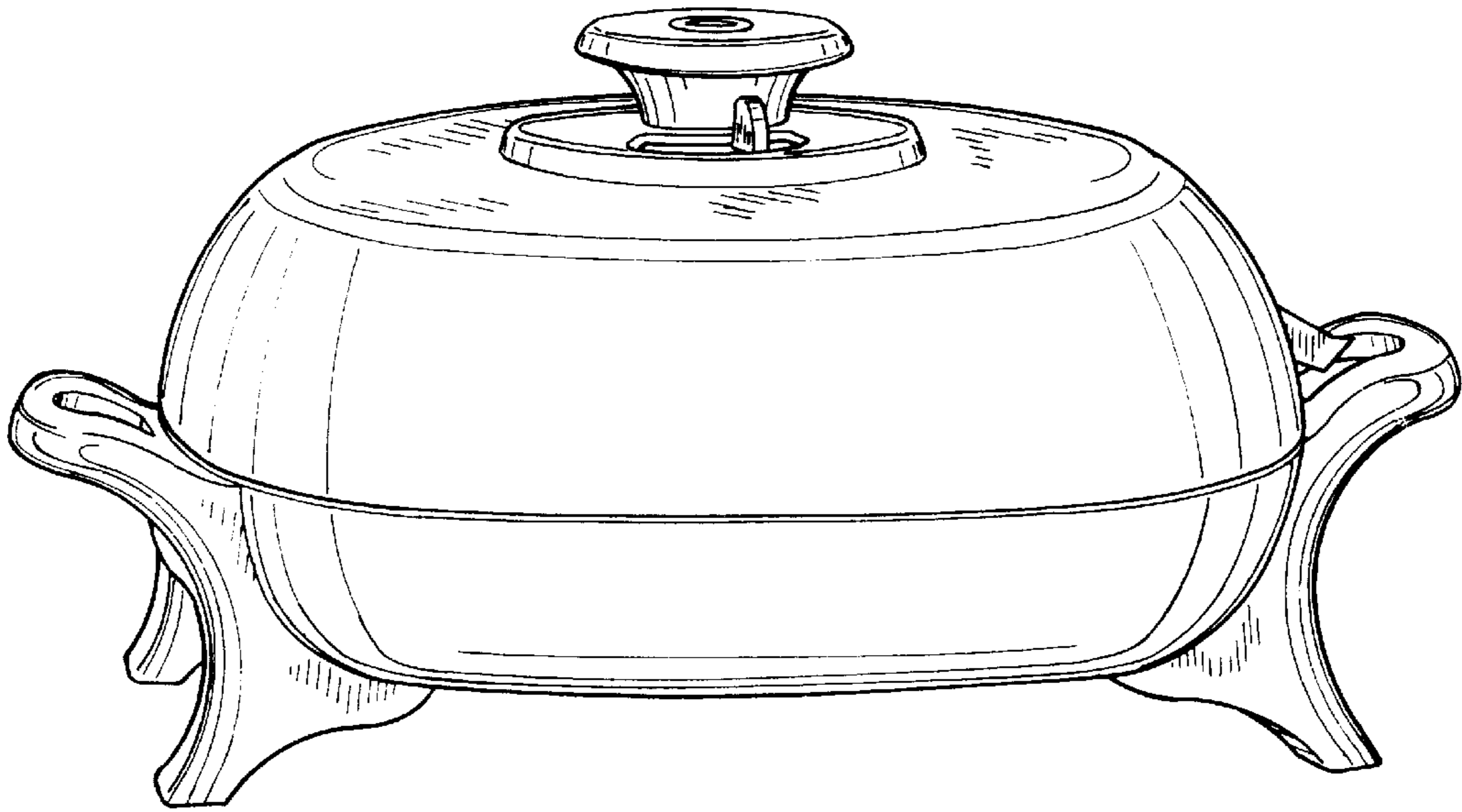


FIG 1

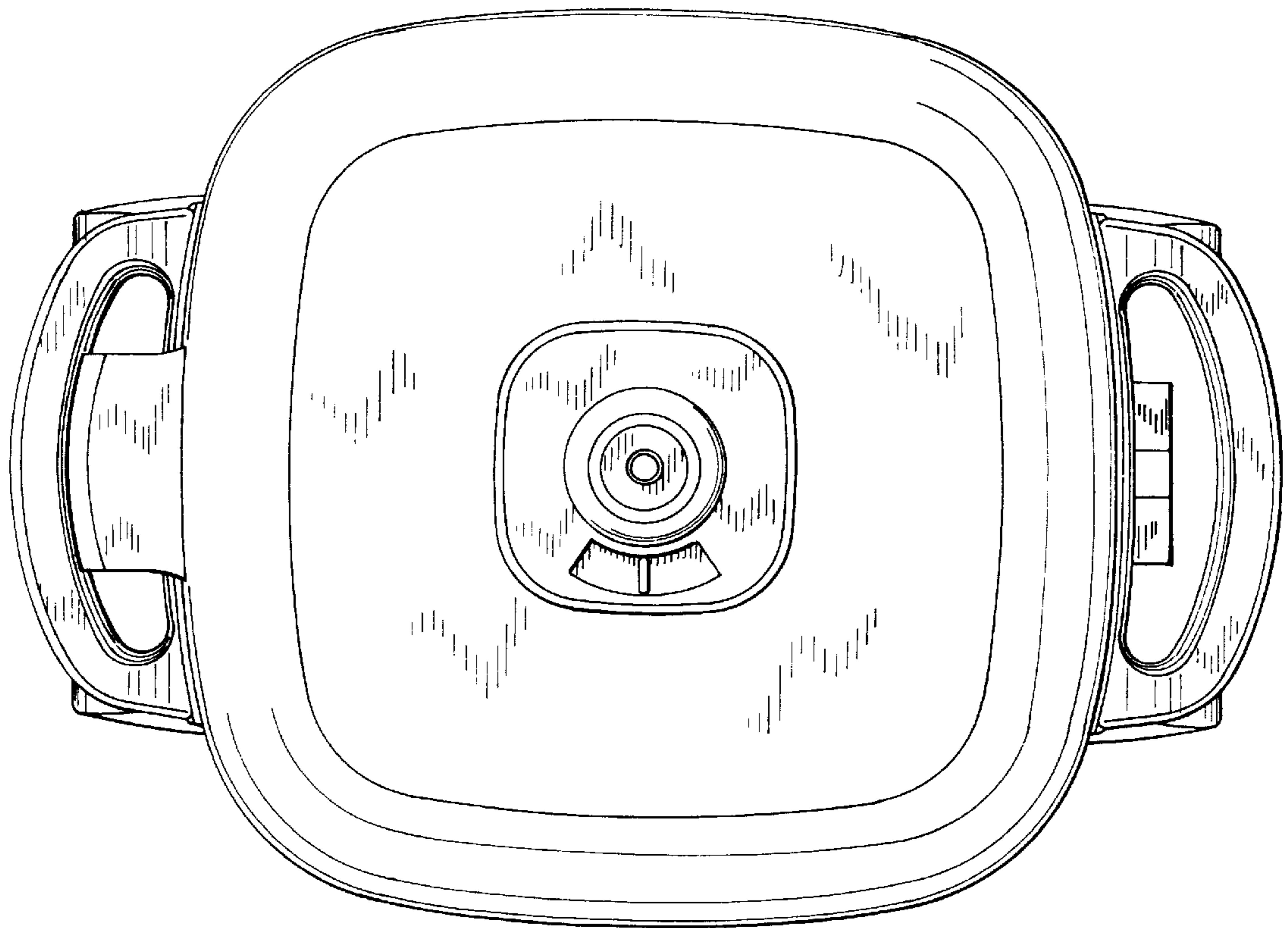


FIG 2

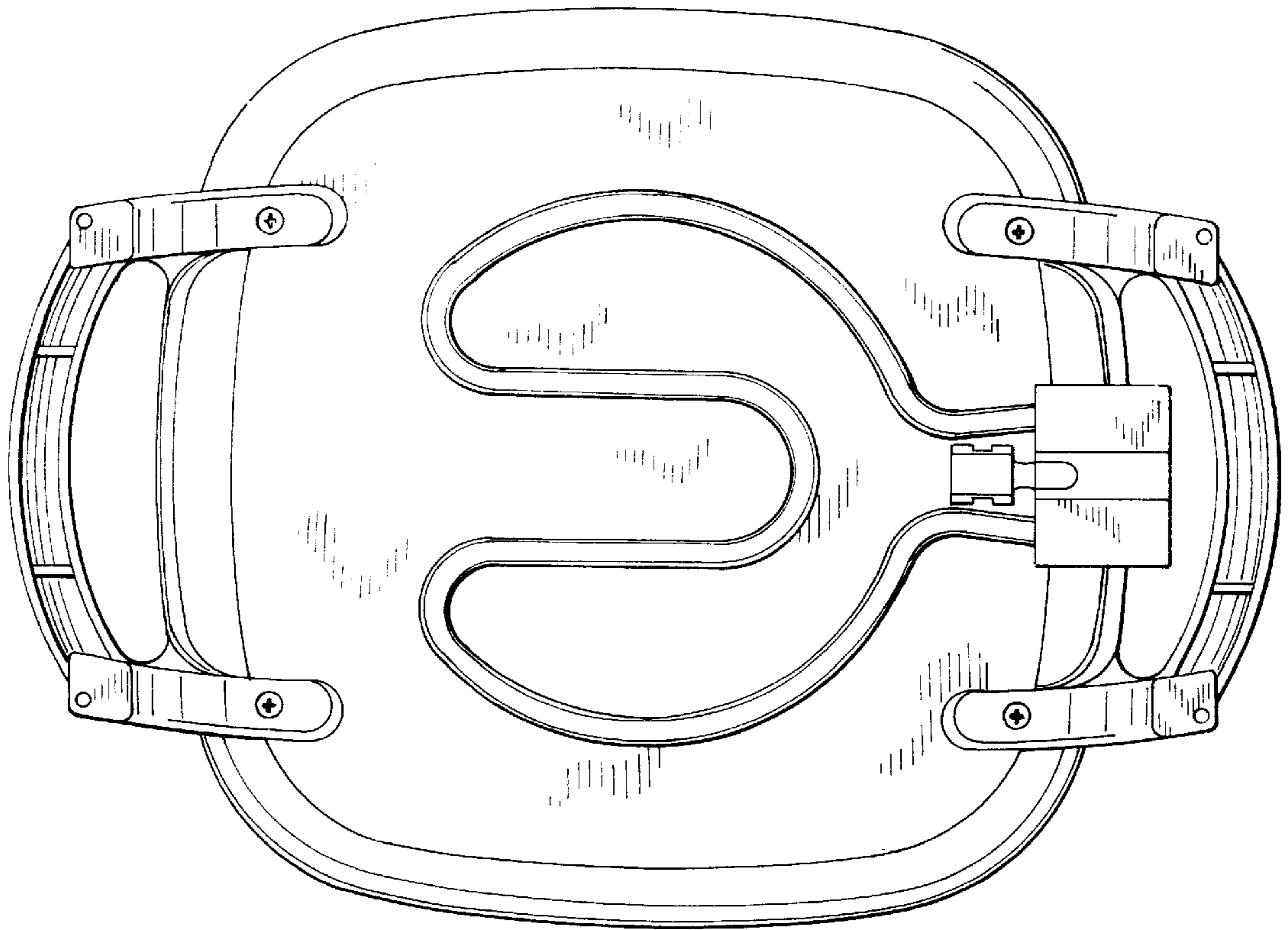


FIG 3

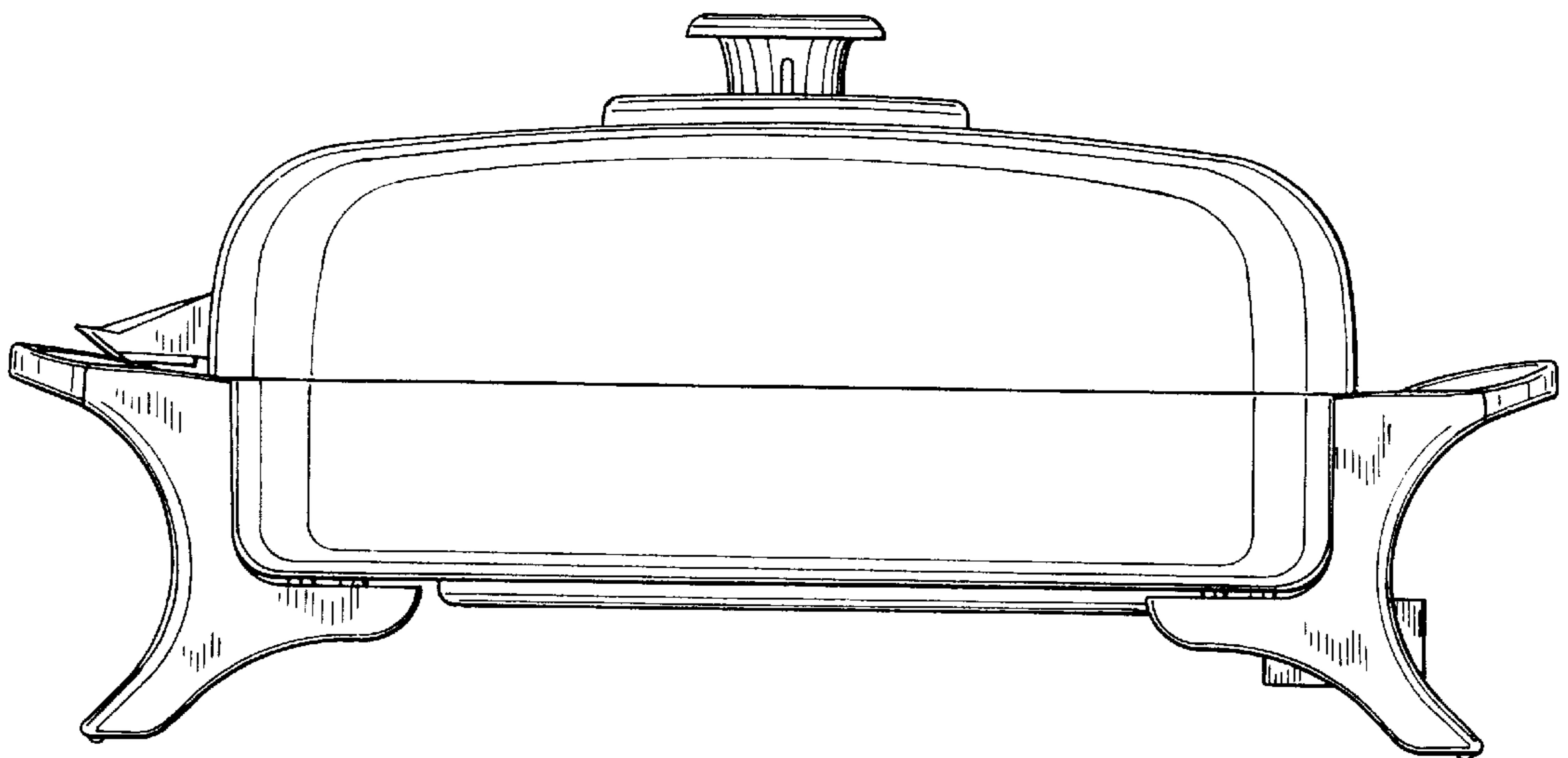


FIG 4

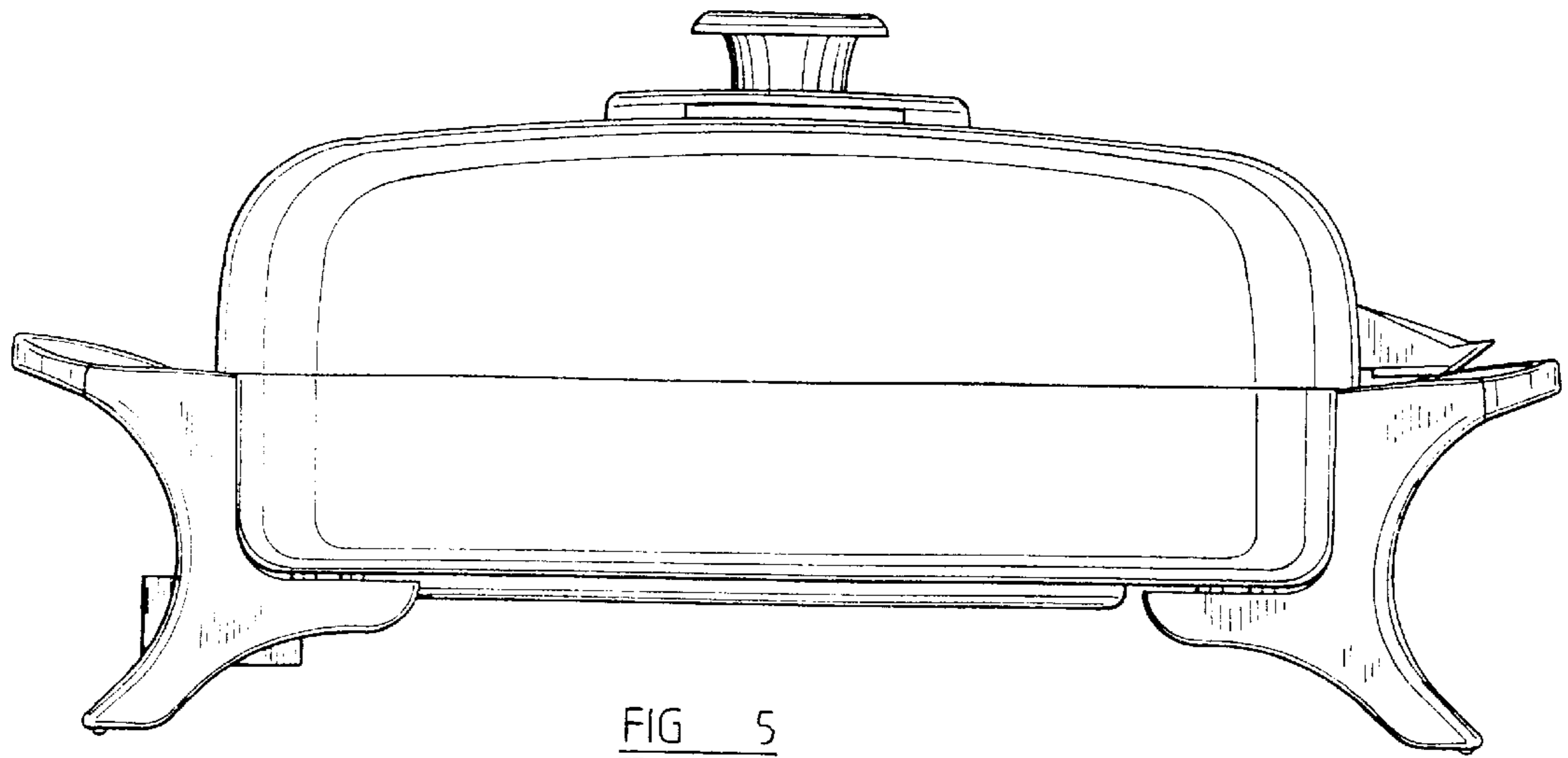


FIG 5

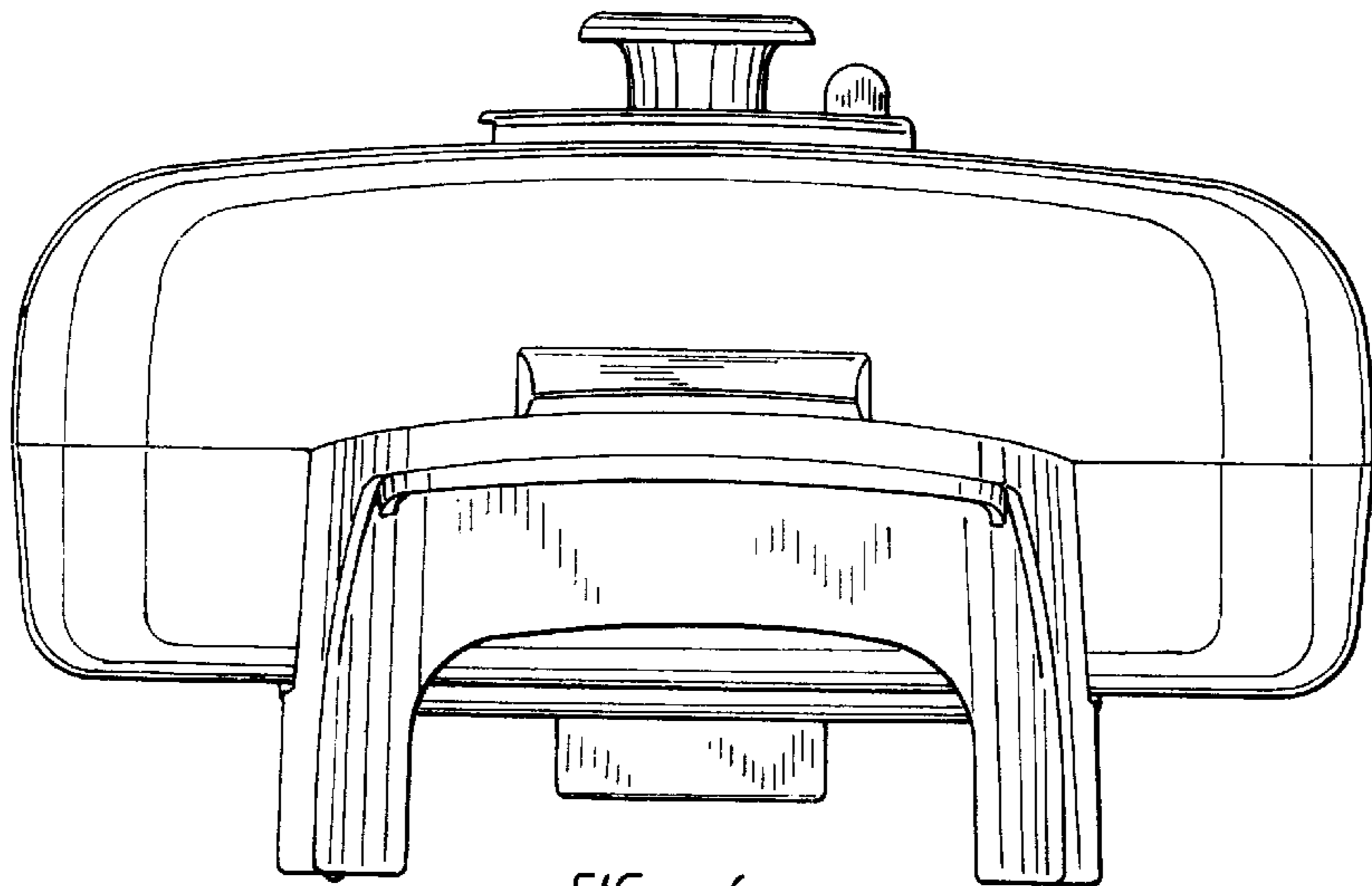


FIG 6

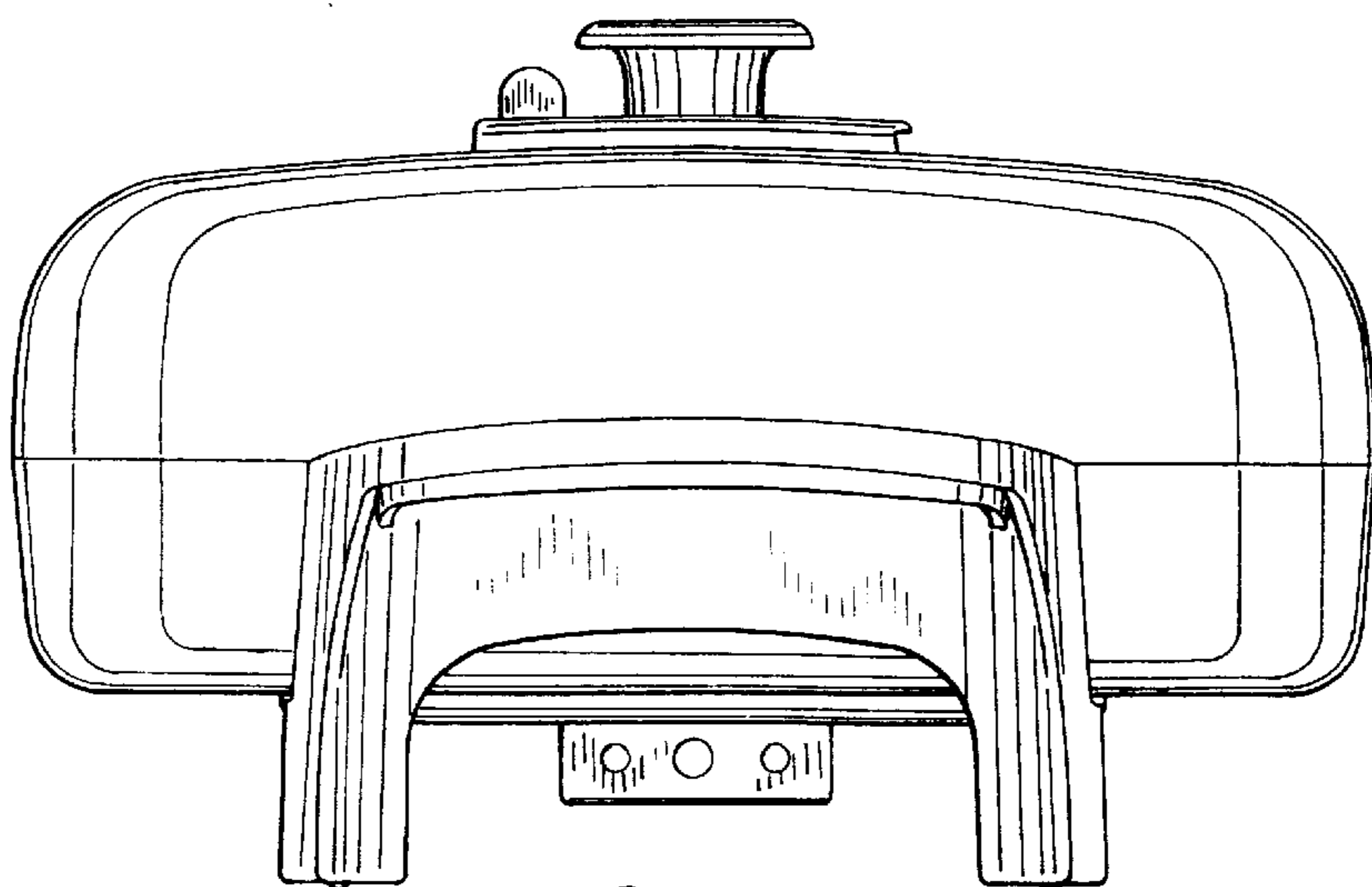


FIG 7

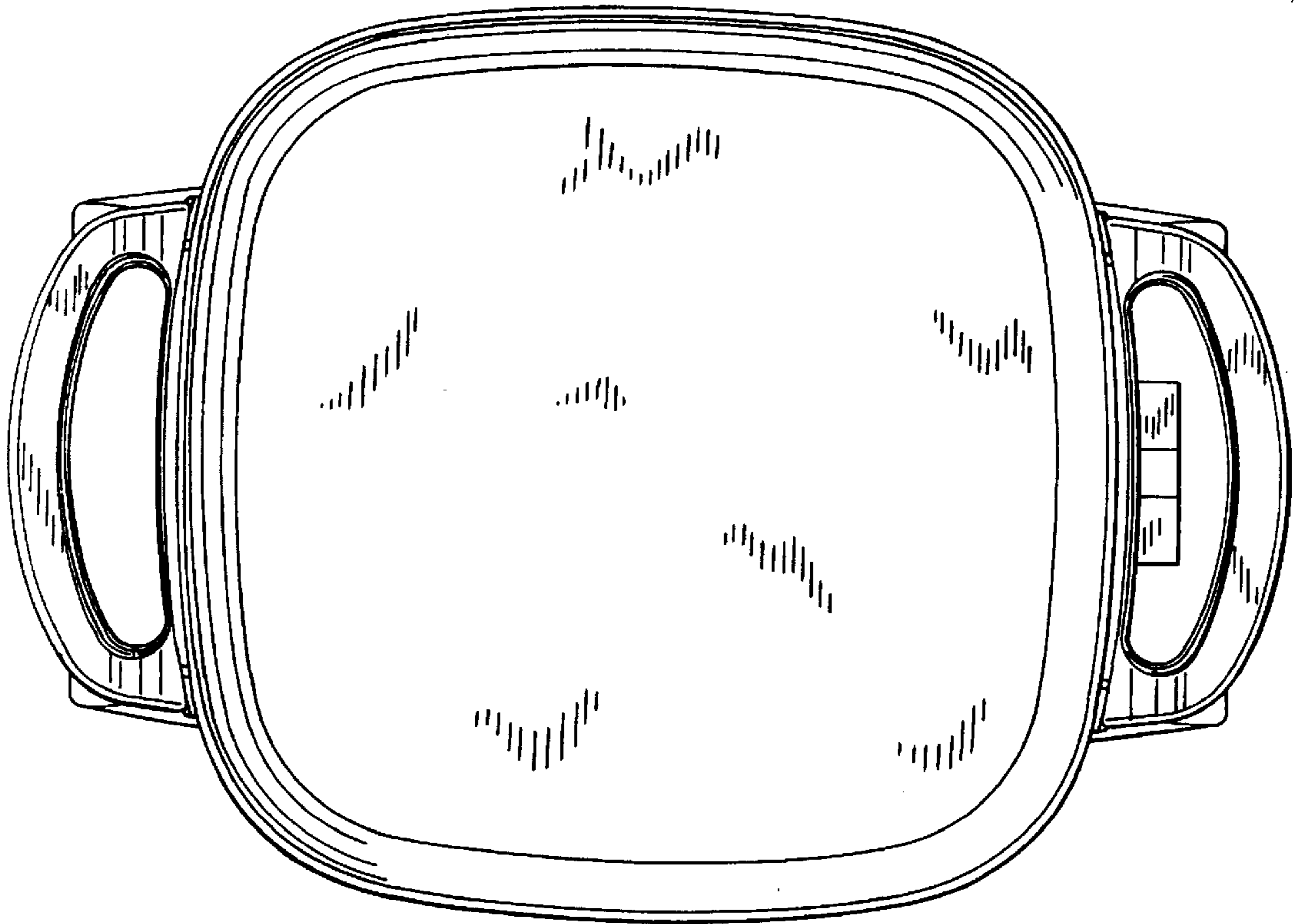


FIG 8

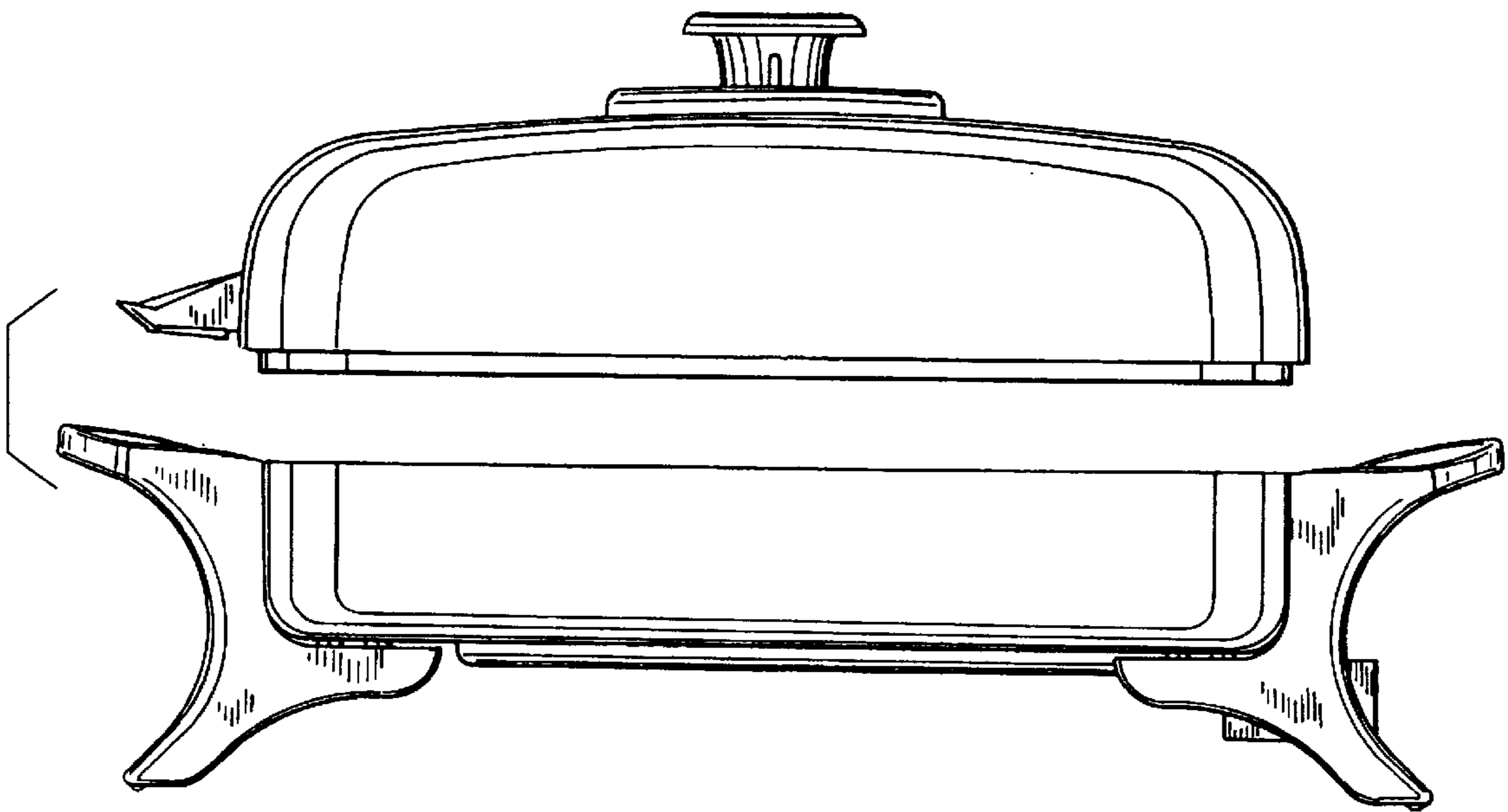


FIG 9