



US00D437181S

(12) **United States Design Patent**
Park

(10) **Patent No.:** **US D437,181 S**

(45) **Date of Patent:** **** Feb. 6, 2001**

(54) **OVAL CHAFER UNIT**

(75) Inventor: **Chang Su Park**, Inchon (KR)

(73) Assignee: **Chang Shin Metal Company** (KR)

(**) Term: **14 Years**

(21) Appl. No.: **29/105,384**

(22) Filed: **May 23, 1999**

(51) **LOC (7) Cl.** **07-02**

(52) **U.S. Cl.** **D7/355**

(58) **Field of Search** D7/354-361, 366;
219/385, 386, 429, 438, 520, 620, 621,
622; 99/324; 220/573.1, 252

(56) **References Cited**

U.S. PATENT DOCUMENTS

D. 35,501	*	12/1901	Savage et al.	D7/366
D. 38,423	*	1/1907	Gutermann	D7/366
D. 150,157	*	7/1948	O'Connell	D7/366
D. 176,993	*	2/1956	O'Connell	D7/366
D. 318,975	*	8/1991	Thurlow	D7/355
D. 318,976	*	8/1991	Thurlow	D7/355

* cited by examiner

Primary Examiner—Caron D. Veynar

(74) *Attorney, Agent, or Firm*—Foley & Lardner

(57) **CLAIM**

The ornamental design for an oval chafar unit, as shown and described.

DESCRIPTION

FIG. 1 is an perspective view of an oval chafar unit showing my new design;

FIG. 2 is a front view of the oval chafar unit shown in FIG. 1;

FIG. 3 is a right side view of the oval chafar unit shown in FIG. 1;

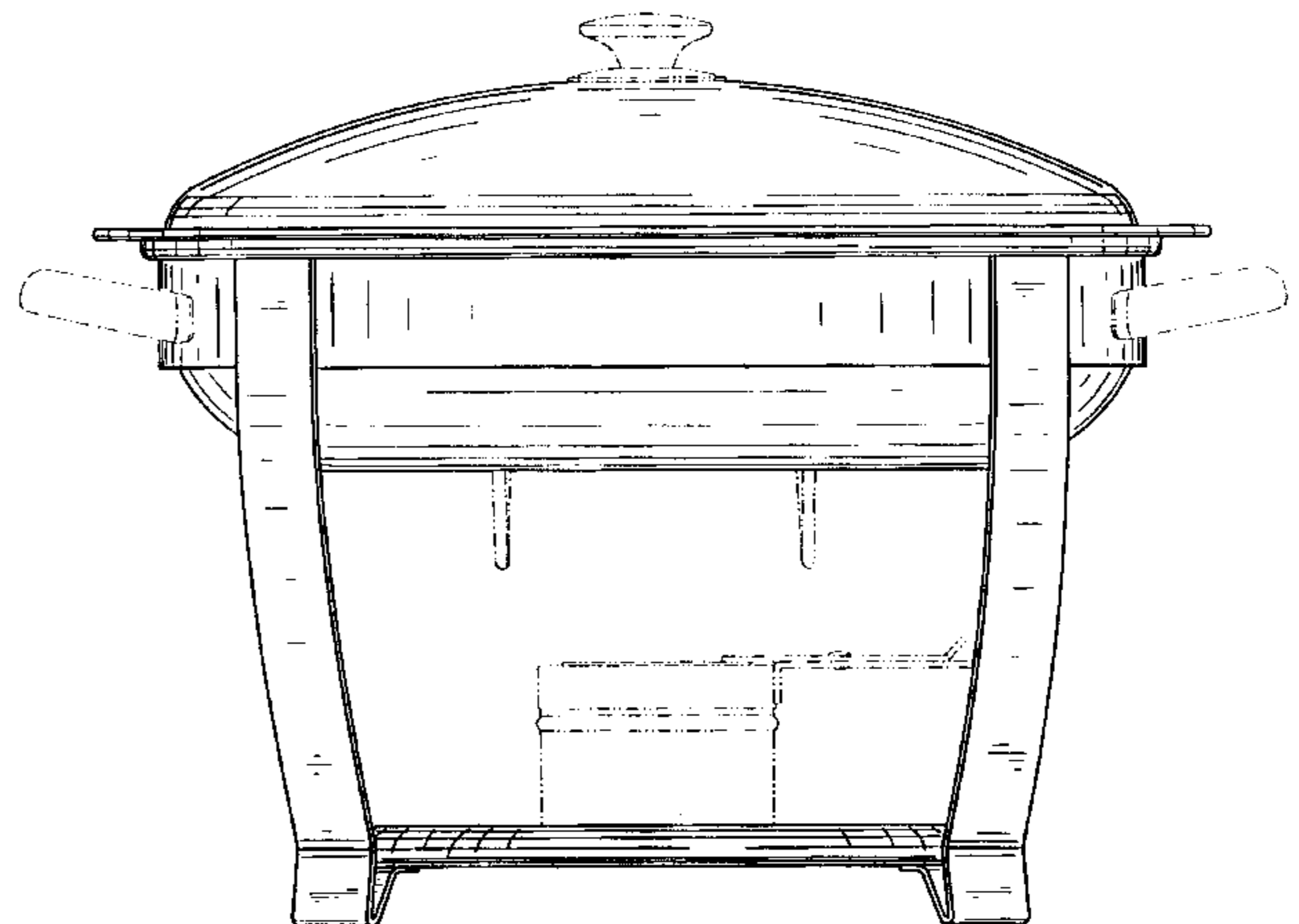
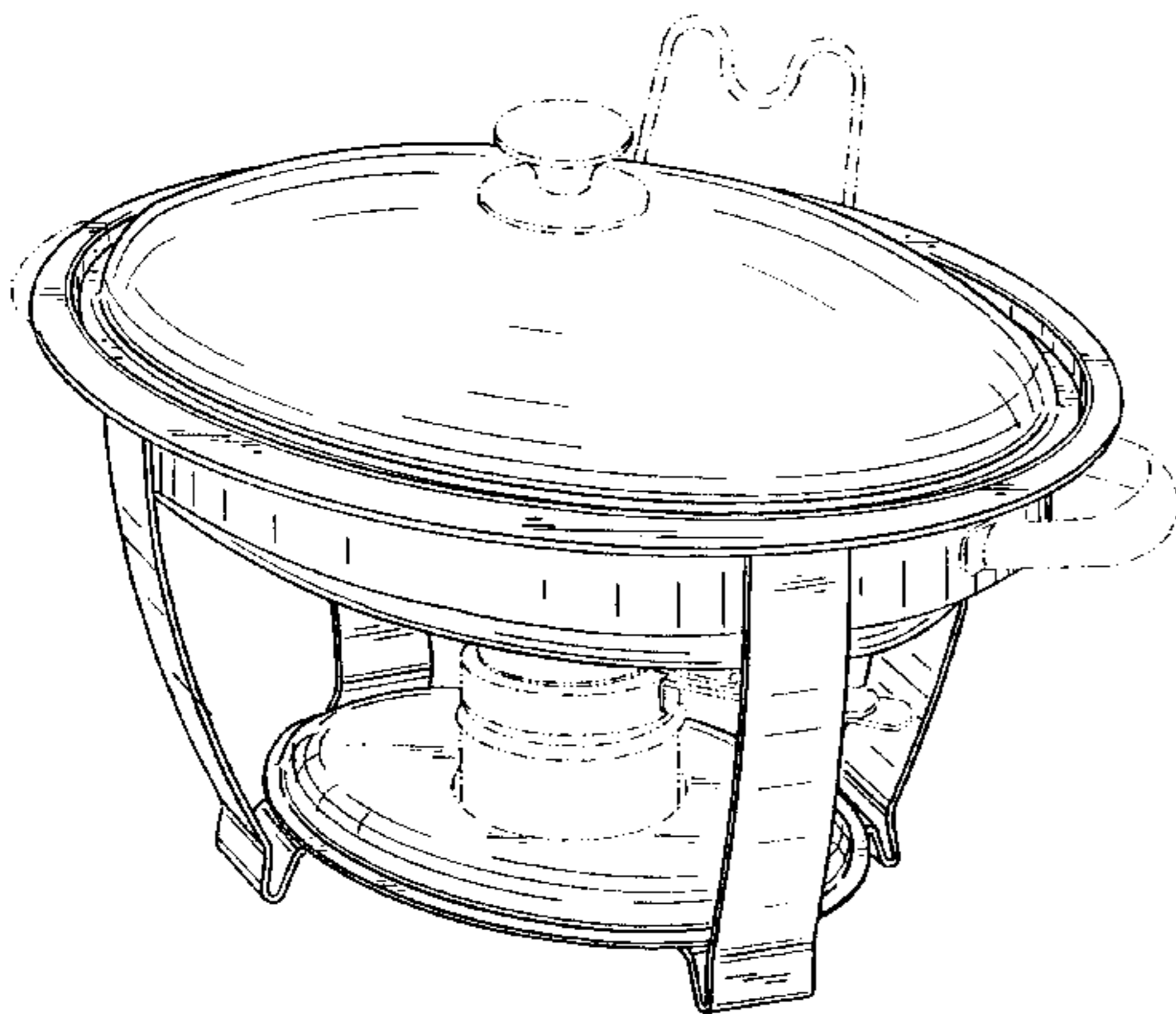
FIG. 4 is a back view of the oval chafar unit shown in FIG. 1;

FIG. 5 is a left side view of the oval chafar unit shown in FIG. 1; and,

FIG. 6 is a top view of the oval chafar unit shown in FIG. 1.

The broken line disclosure is for illustrative purposes only and forms no part of the claim design.

1 Claim, 6 Drawing Sheets



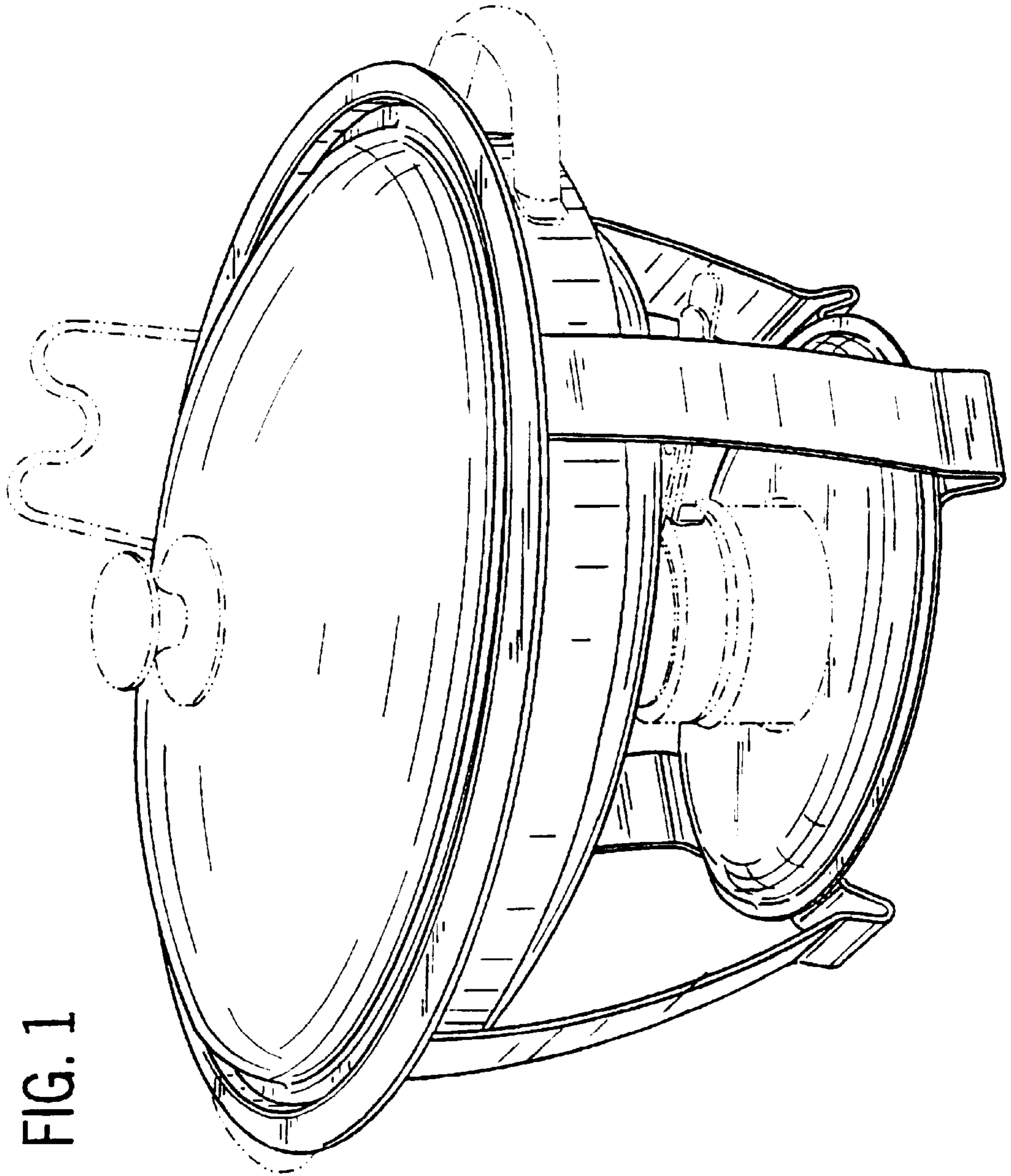


FIG. 1

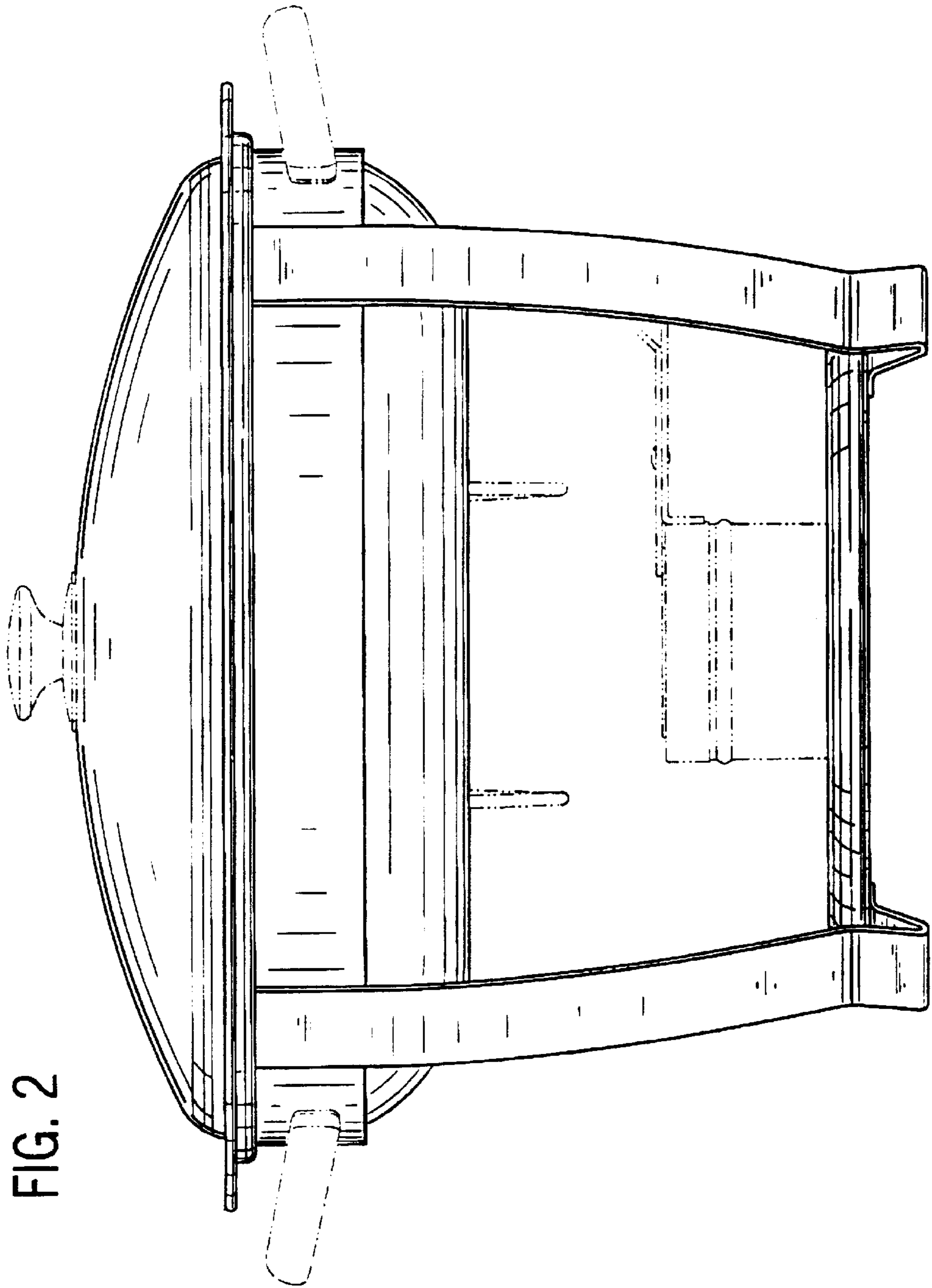
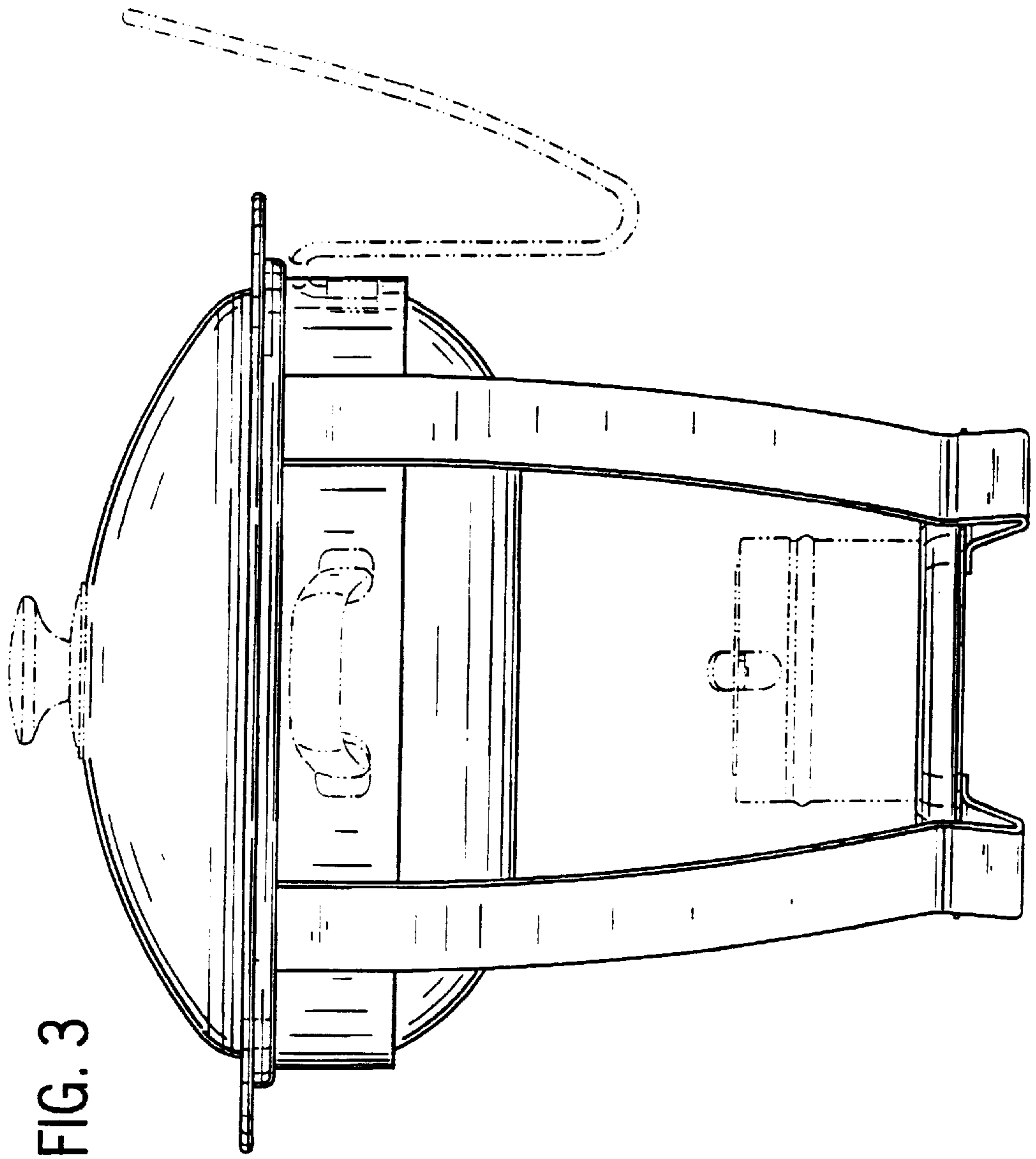


FIG. 2



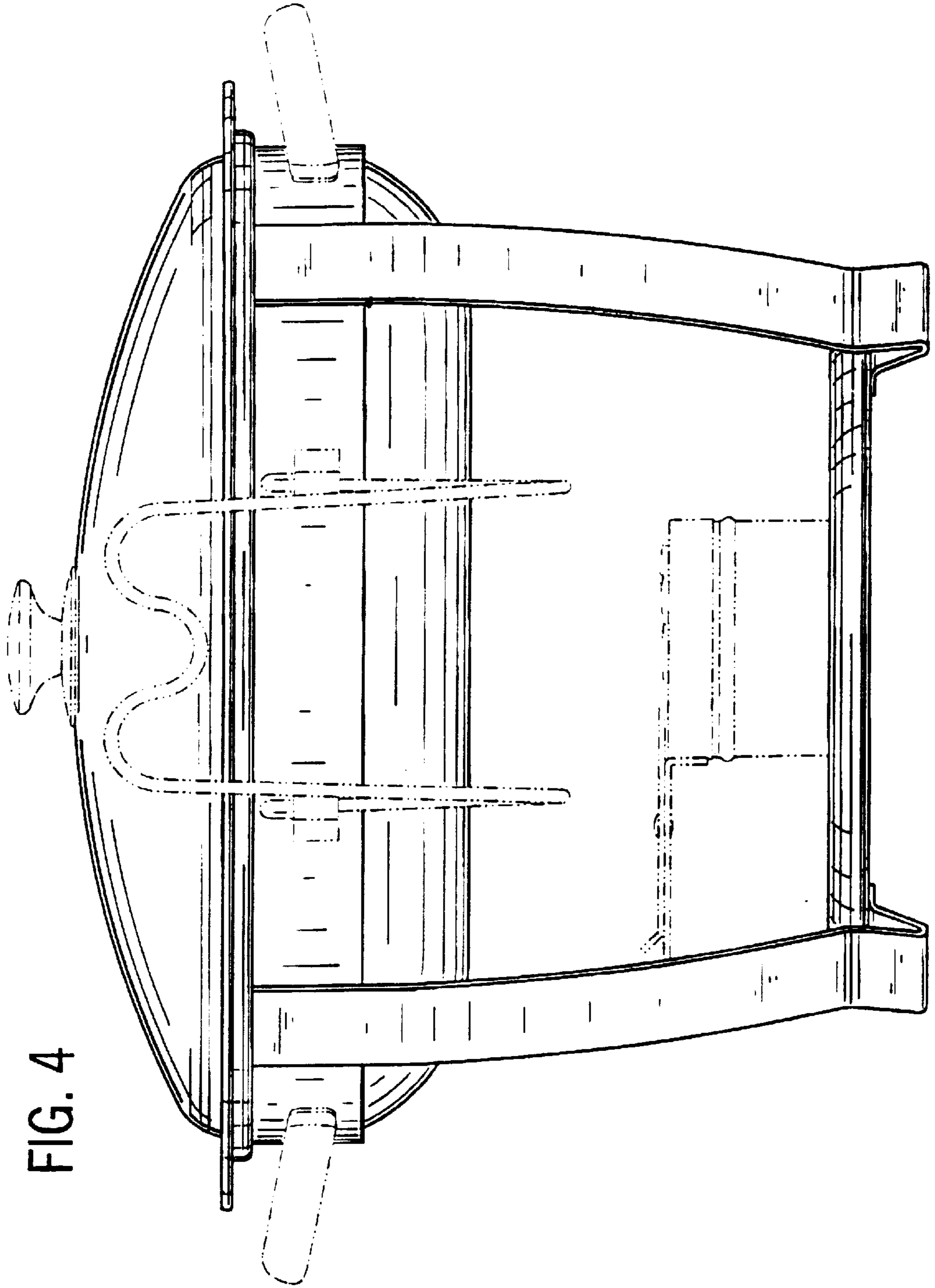
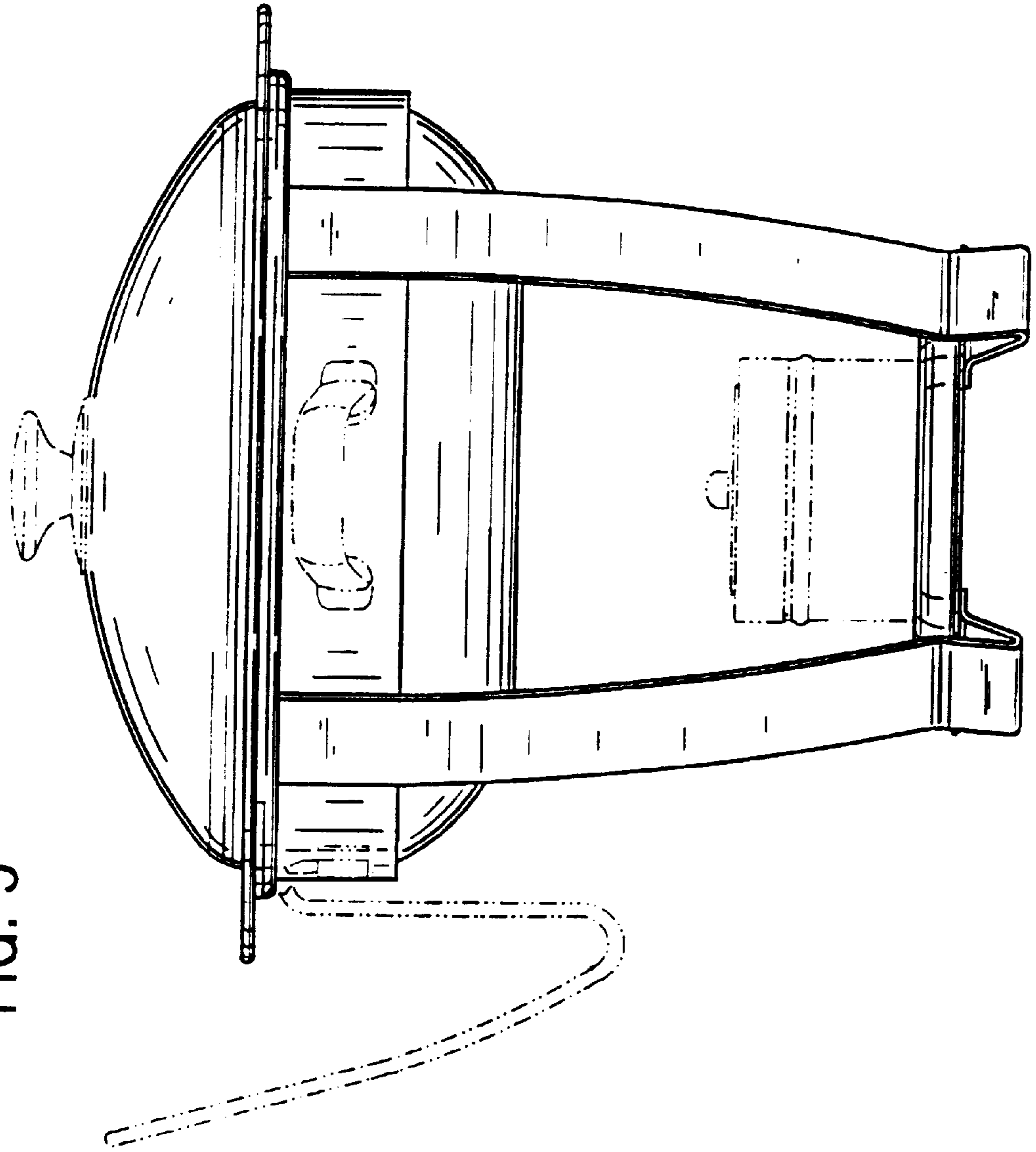


FIG. 4

FIG. 5



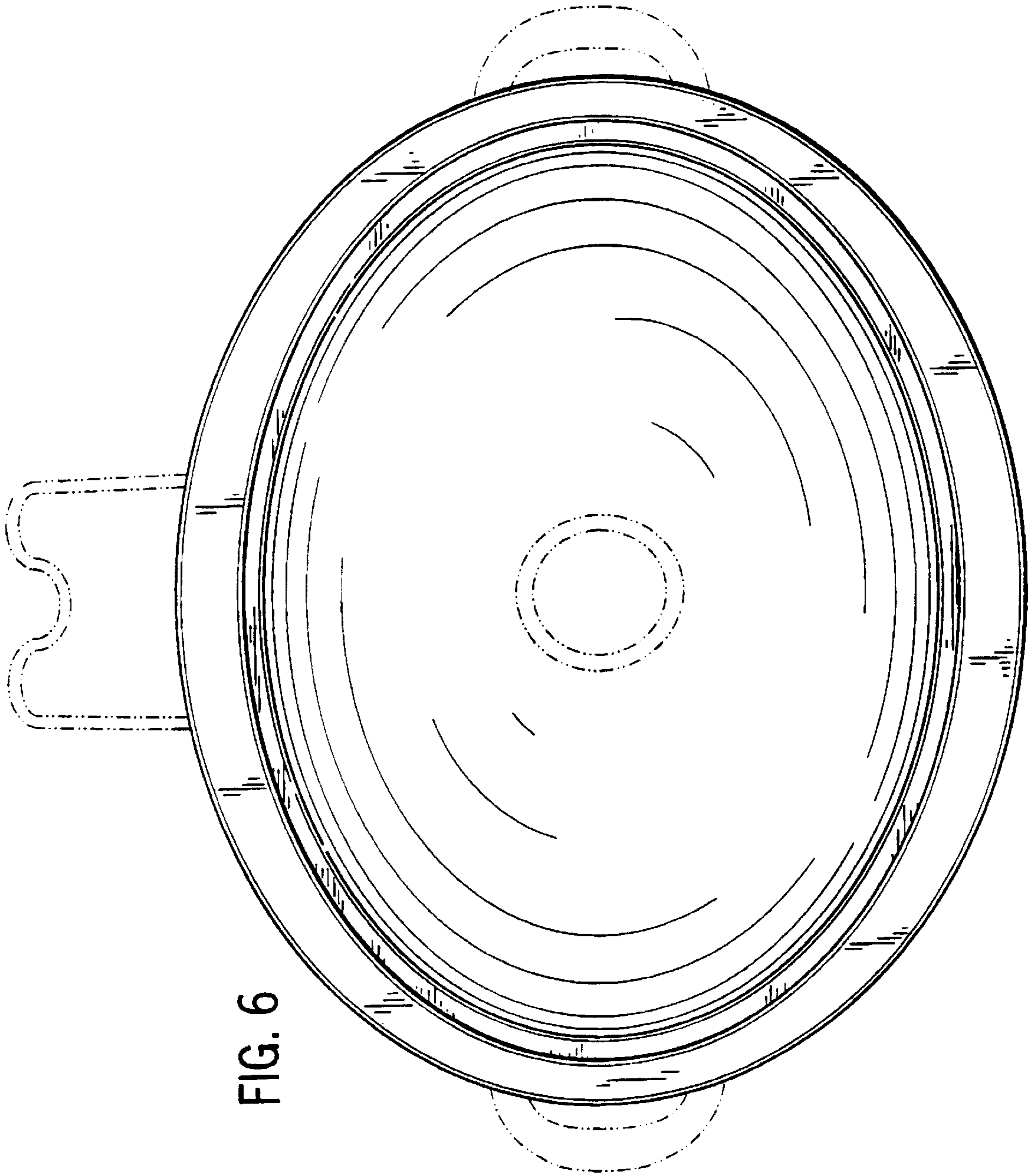


FIG. 6