



US00D437176S

(12) **United States Design Patent**  
**Bullard**

(10) **Patent No.:** **US D437,176 S**

(45) **Date of Patent:** **\*\* Feb. 6, 2001**

(54) **GAS GRILL**

(75) Inventor: **Jeffrey G. Bullard**, Richland, MI (US)

(73) Assignee: **KSM Corporation**, Kalamazoo, MI (US)

(\*\*) Term: **14 Years**

(21) Appl. No.: **29/098,464**

(22) Filed: **Dec. 30, 1998**

(51) **LOC (7) Cl.** ..... **07-02**

(52) **U.S. Cl.** ..... **D7/334**

(58) **Field of Search** ..... D7/332-338, 402-404;  
126/275 R, 275 E, 19 M, 19 R, 21 A, 25 R,  
25 A, 25 AA, 29-30, 9 R, 9 A, 9 B, 39 R,  
41 R, 40; 219/10.55 R, 10.55 A, 10.55 B,  
10.55 C, 403, 386; 99/340-341, 419, 421 R,  
421 H, 446, 450

(56) **References Cited**

**U.S. PATENT DOCUMENTS**

- D. 164,881 \* 10/1951 Roth ..... D7/334
- D. 293,067 \* 12/1987 Stephen et al. .... D7/334
- D. 316,355 \* 4/1991 Stephen et al. .... D7/339
- D. 362,153 \* 9/1995 Home ..... D7/334
- D. 404,963 \* 2/1999 Schlosser et al. .... D7/334
- D. 406,488 \* 3/1999 Bates et al. .... D7/334
- D. 406,489 \* 3/1999 Williams et al. .... D7/334

D. 406,490 \* 3/1999 Daniels et al. .... D7/334

\* cited by examiner

*Primary Examiner*—Ruth McInroy

(74) *Attorney, Agent, or Firm*—Michael Best & Friedrich LLP

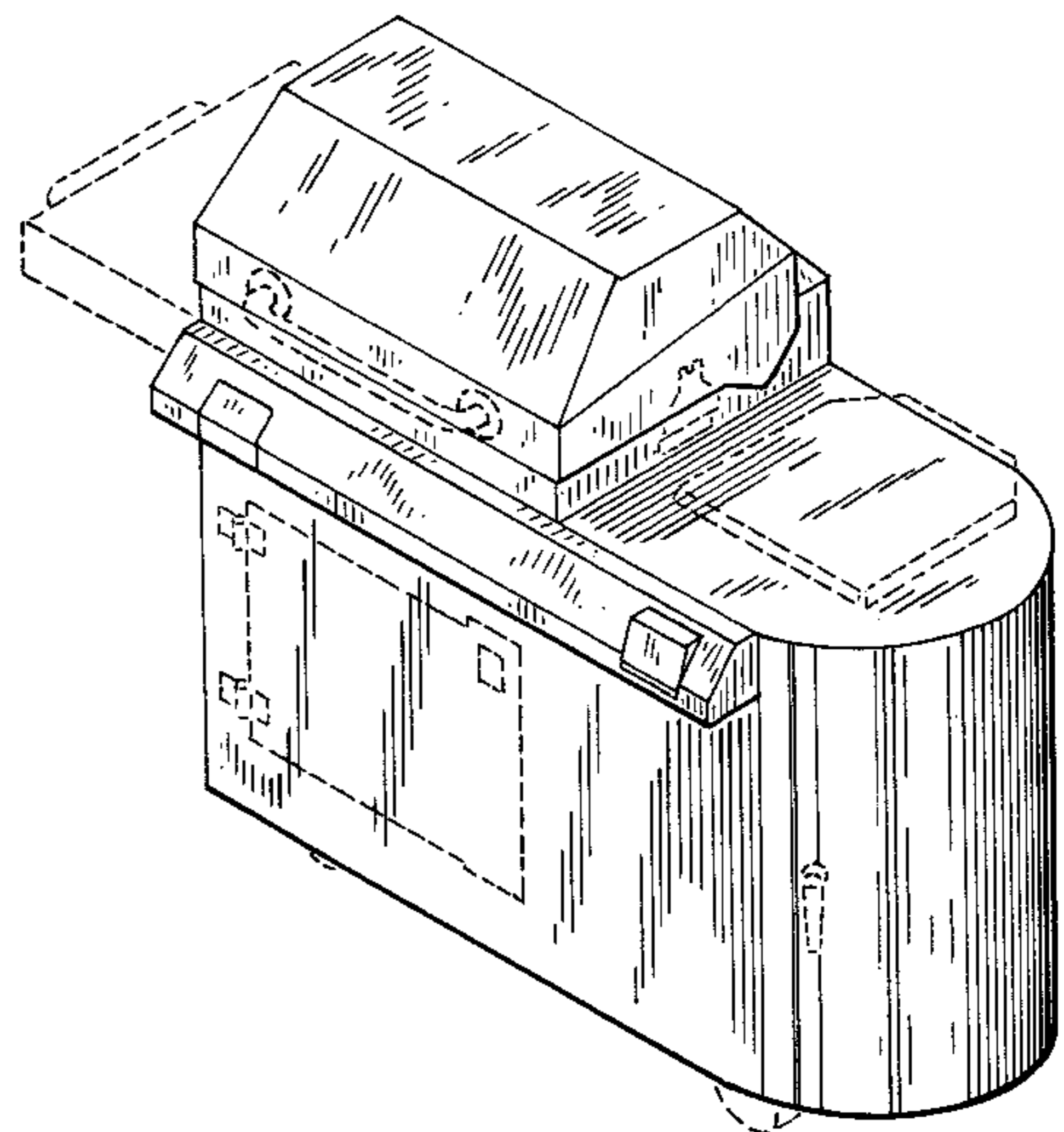
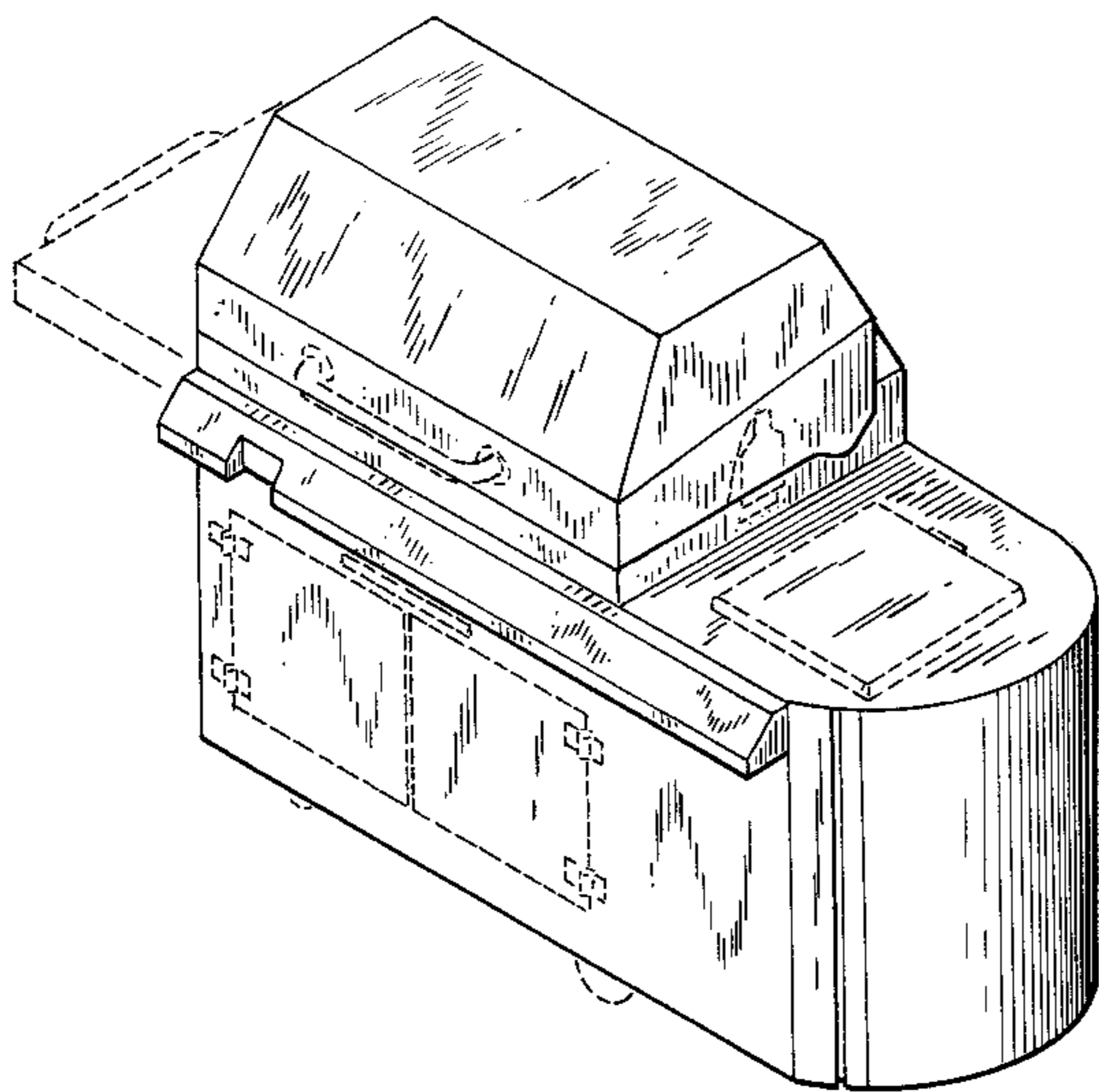
(57) **CLAIM**

The ornamental design for a gas grill, as shown and described.

**DESCRIPTION**

FIG. 1 is a perspective view of a gas grill showing my new design;  
 FIG. 2 is a top plan view thereof;  
 FIG. 3 is a left side elevational view thereof;  
 FIG. 4 is a front elevational view thereof;  
 FIG. 5 is a right side elevational view thereof;  
 FIG. 6 is a rear elevational view thereof;  
 FIG. 7 is a perspective view of a second embodiment thereof;  
 FIG. 8 is a left side view of FIG. 7;  
 FIG. 9 is a top plan view of FIG. 7;  
 FIG. 10 is a front elevational view of FIG. 7;  
 FIG. 11 is a right side elevational view of FIG. 7; and,  
 FIG. 12 is a rear elevational view of FIG. 7.  
 The details shown in broken lines are for illustrative purposes only and form no part of the claimed design.

**1 Claim, 8 Drawing Sheets**



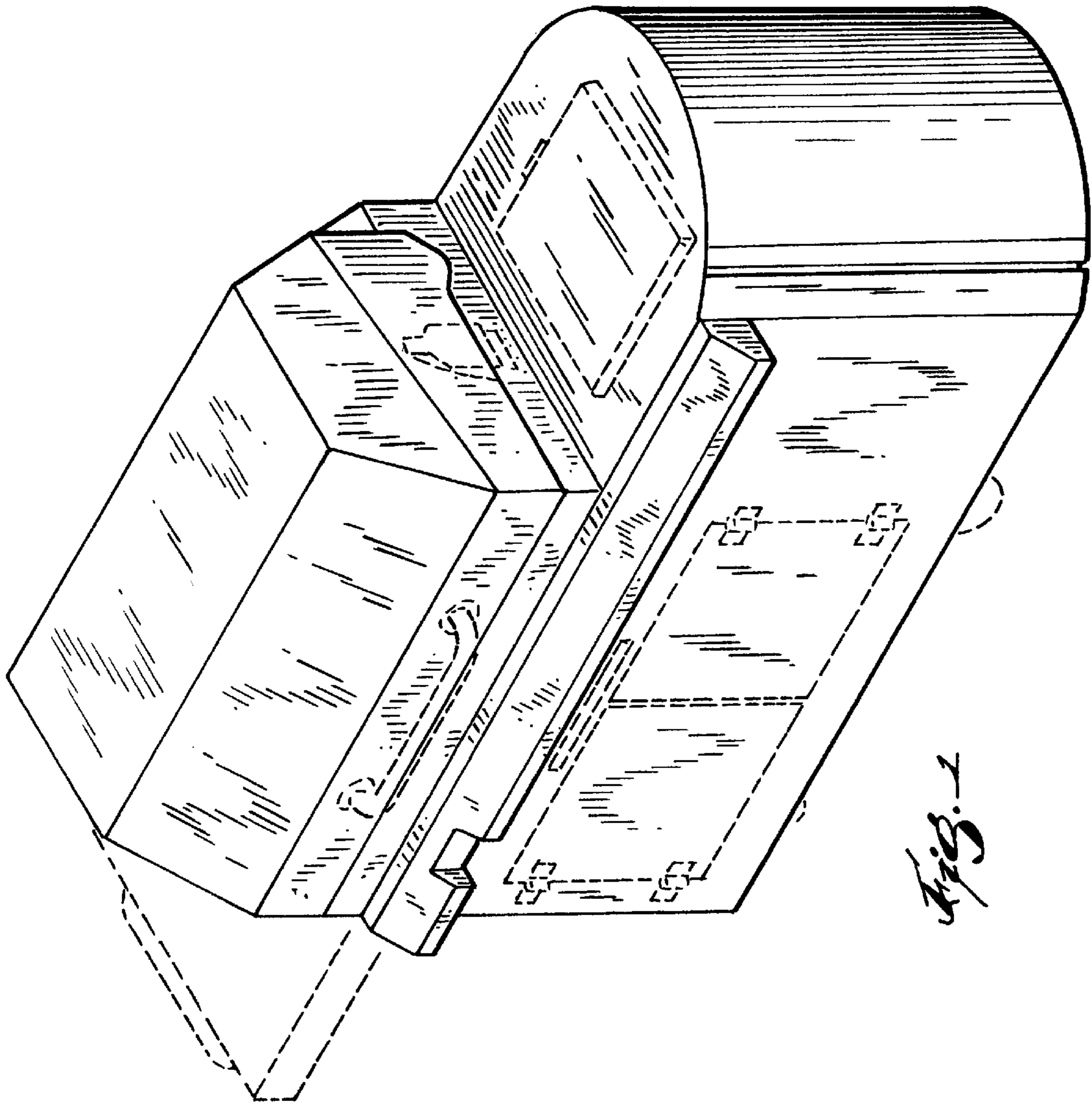
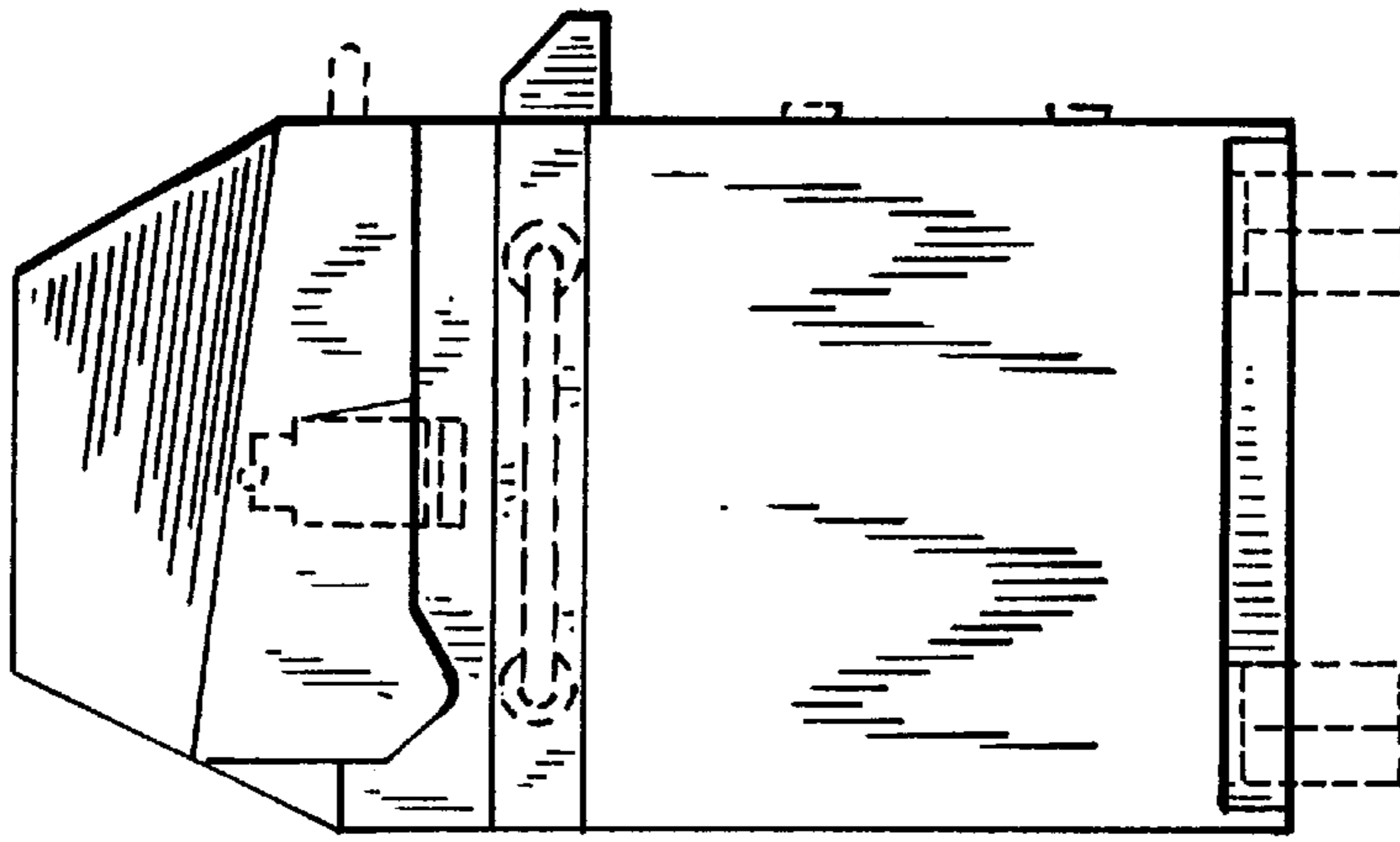
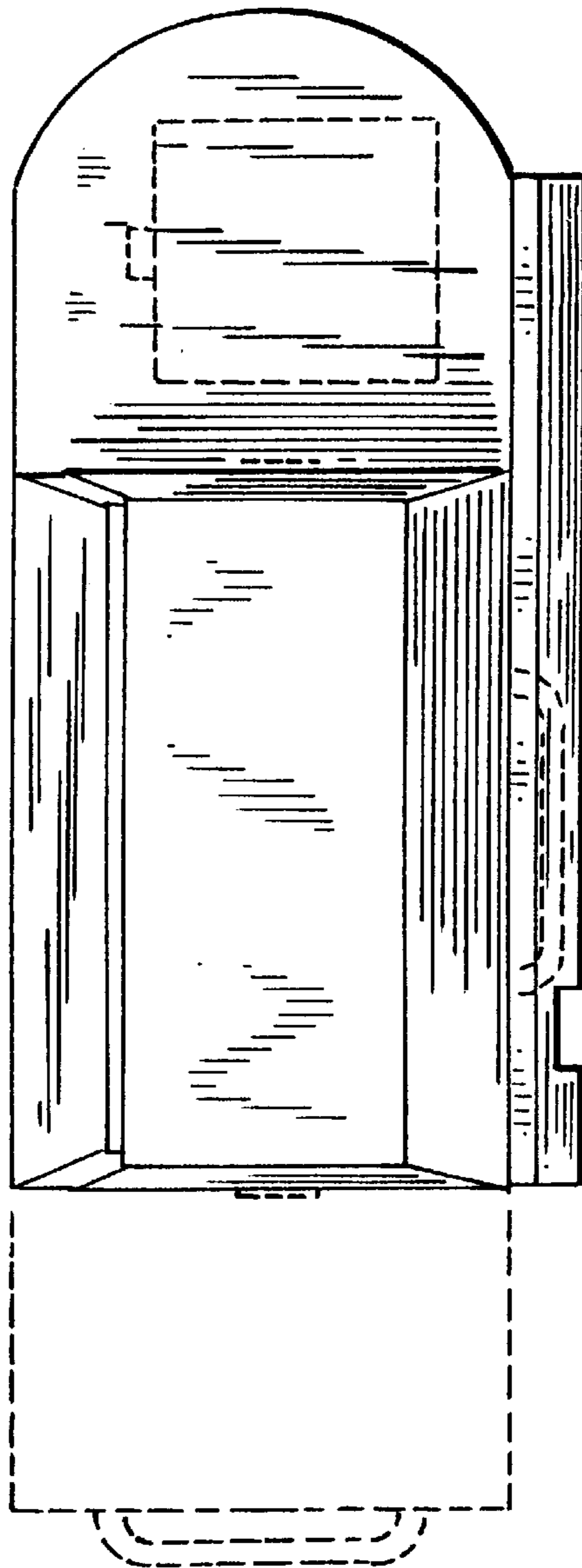


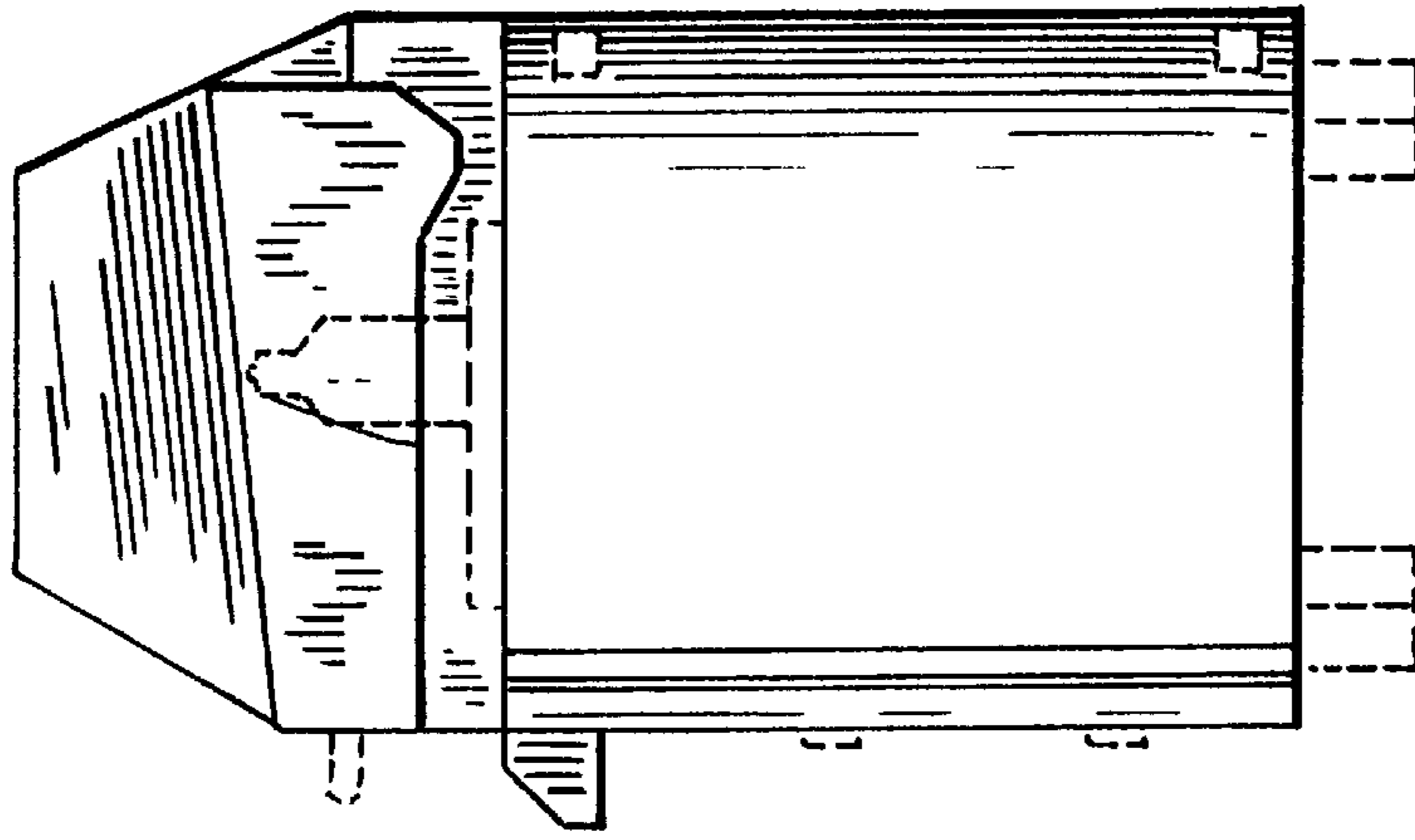
FIG. 1



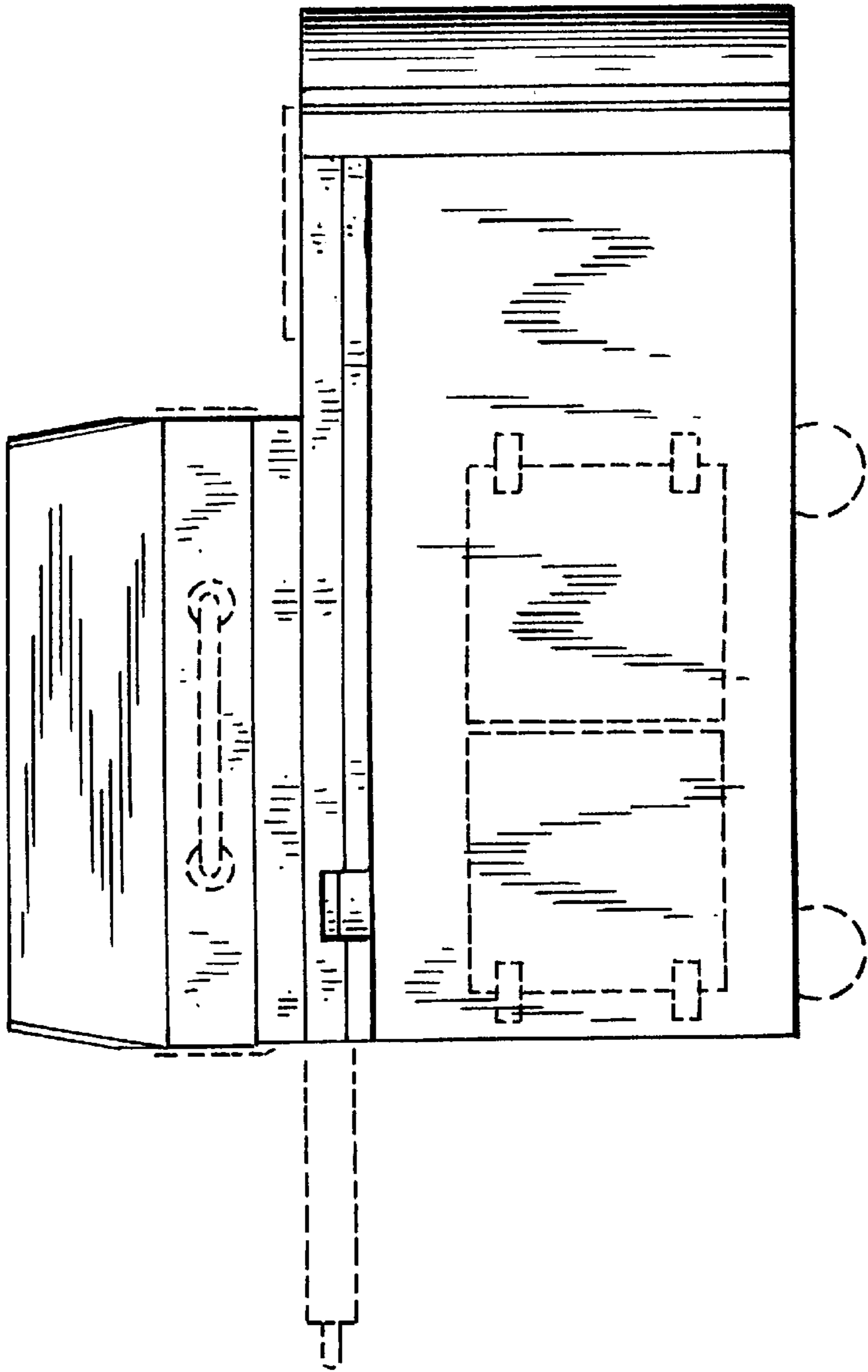
*Fig. 3*



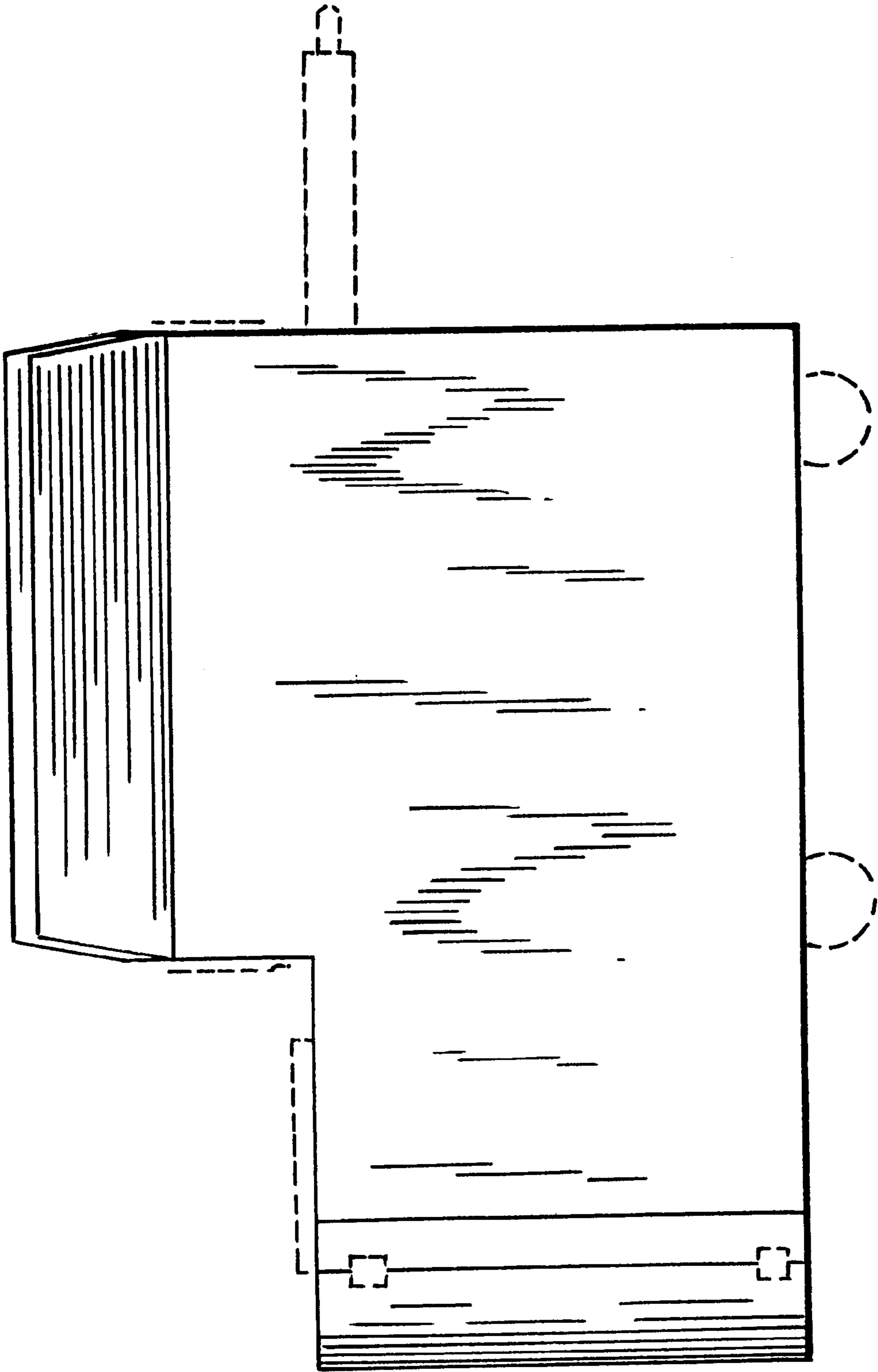
*Fig. 2*



*Fig. 5*

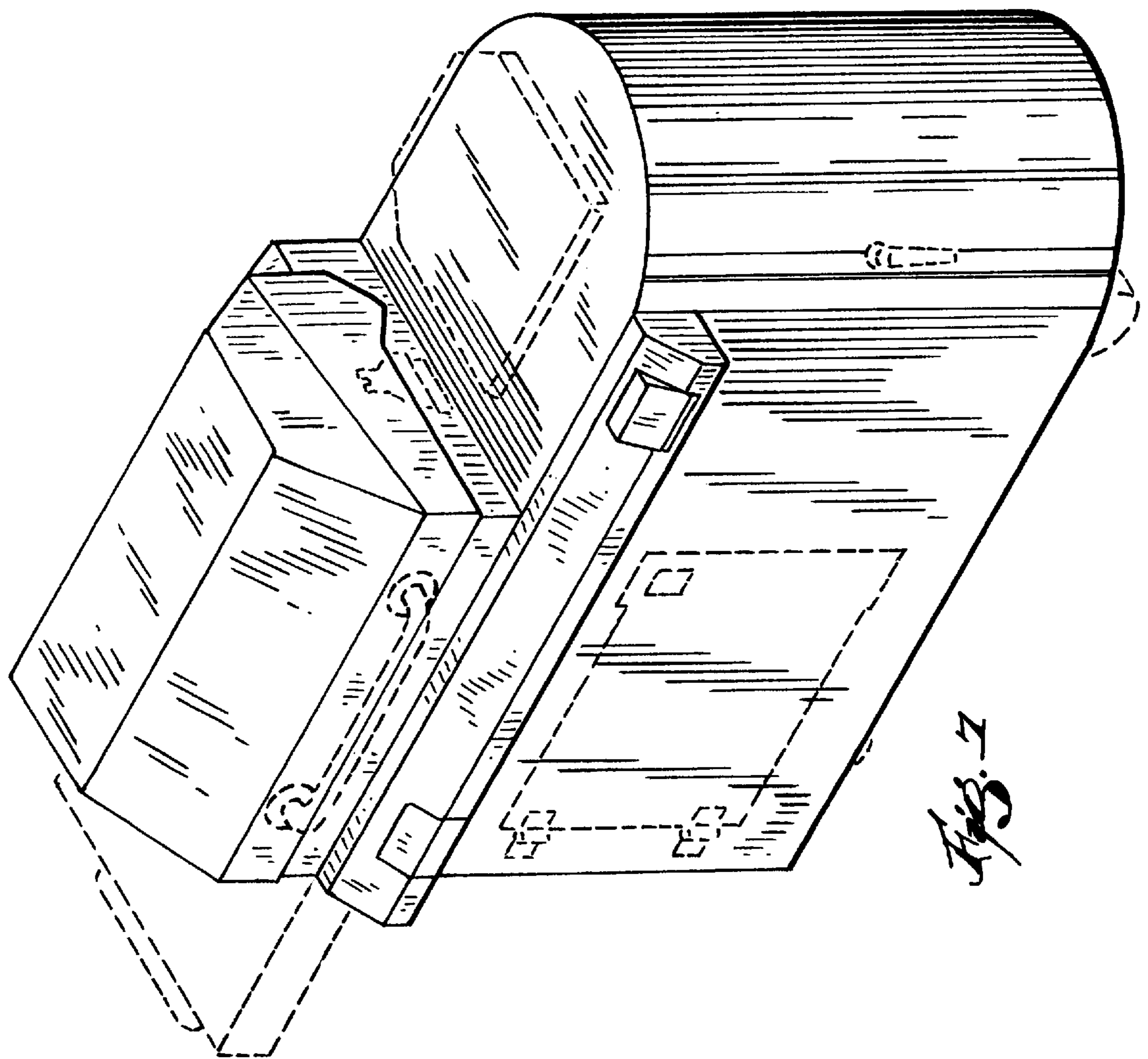


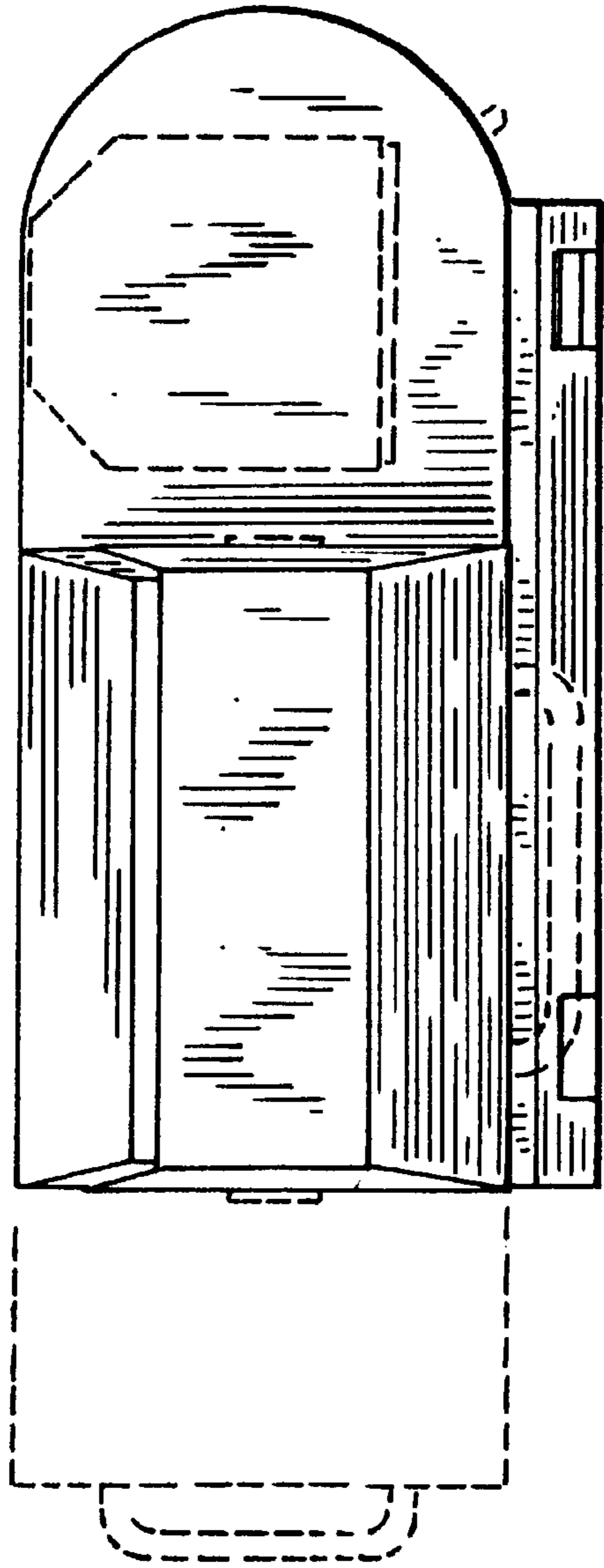
*Fig. 4*



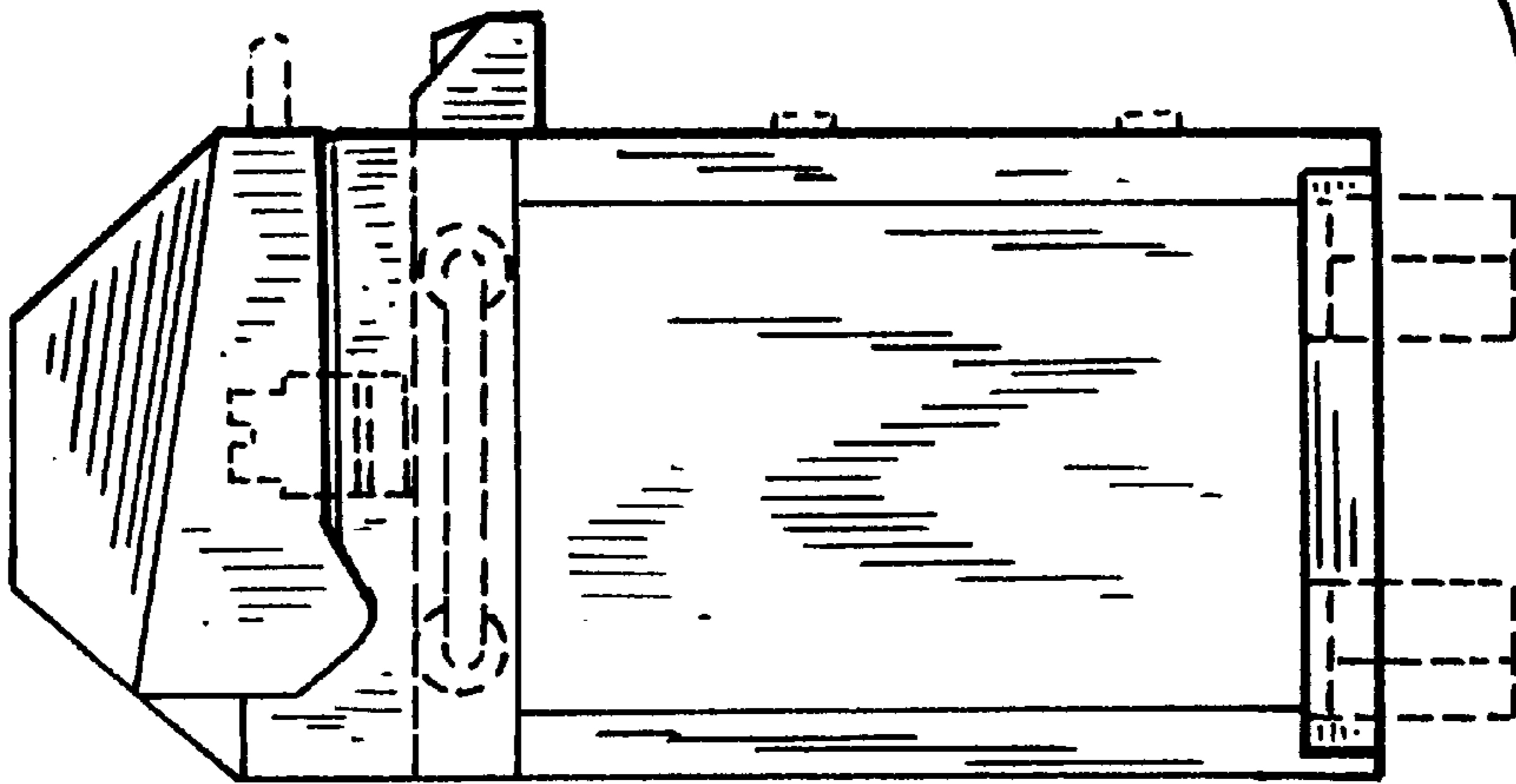
*Fig. 6*



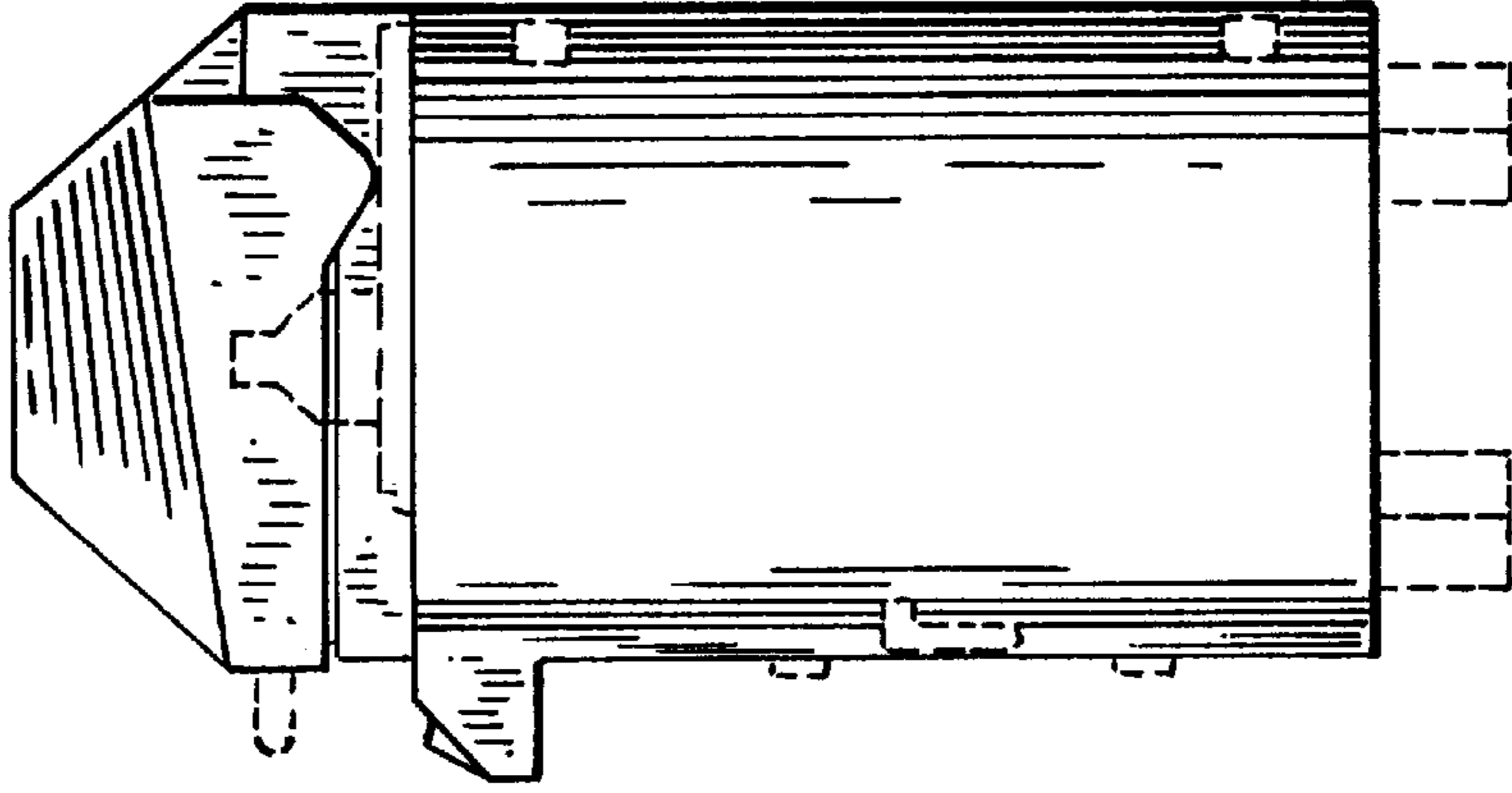




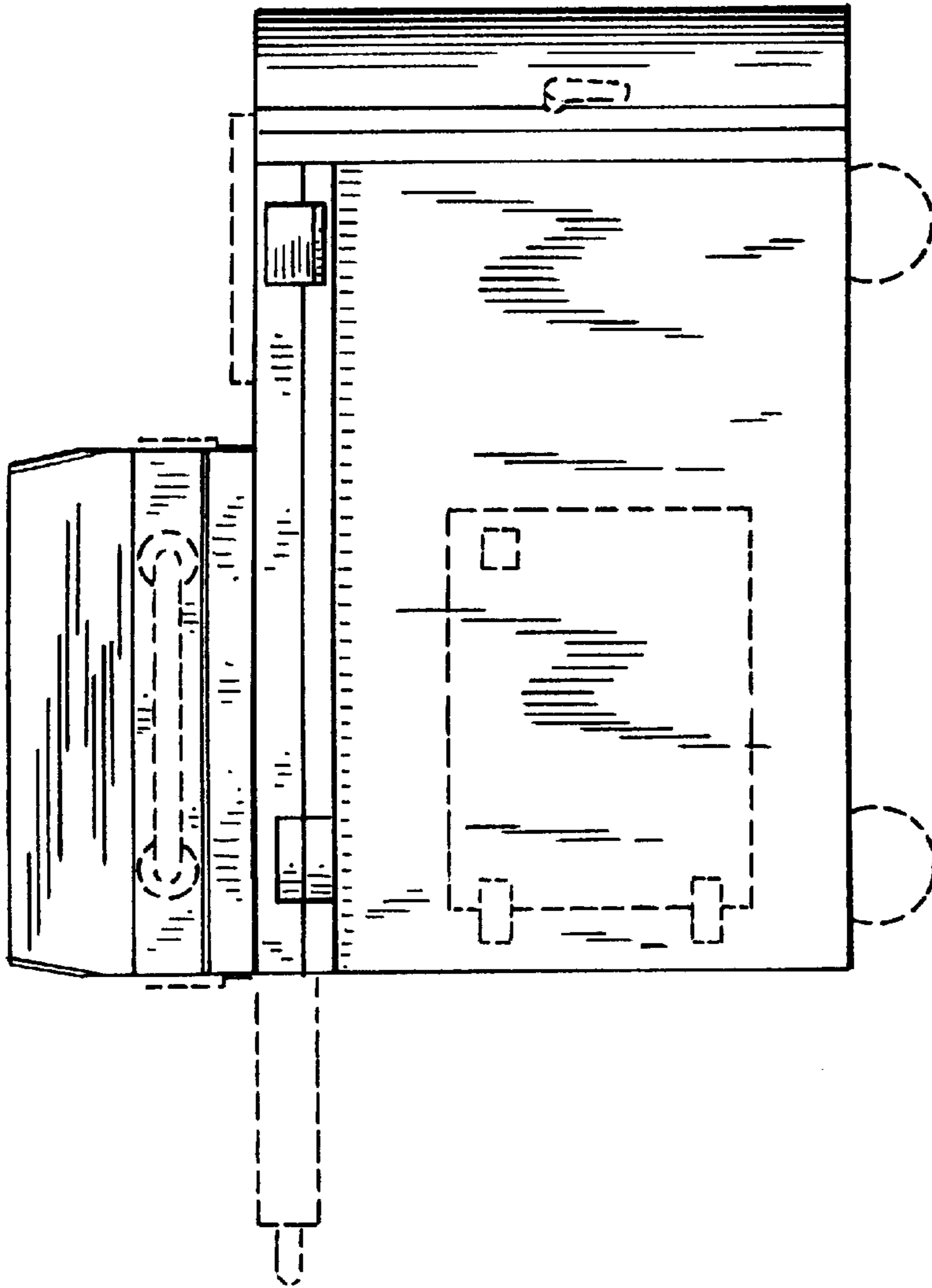
*Fig. 9*



*Fig. 8*

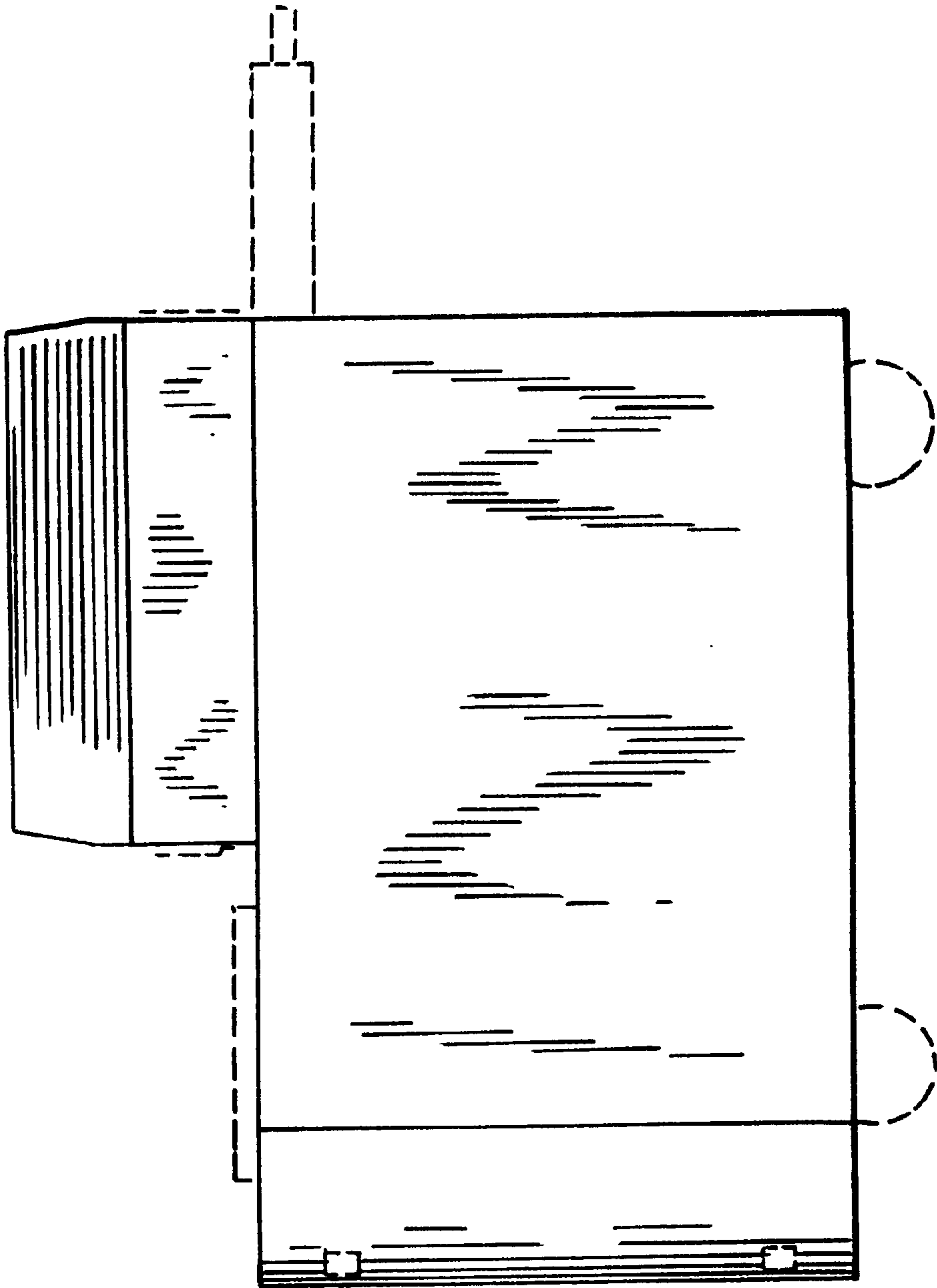


*Fig. 11*



*Fig. 10*





*Fig. 12.*