



US00D437172S

(12) **United States Design Patent**
Hillman

(10) **Patent No.:** **US D437,172 S**

(45) **Date of Patent:** **** *Feb. 6, 2001**

(54) **COMPACT DISC STORAGE WALLET WITH IDENTIFYING HANDLE**

(75) **Inventor:** **Jack L. Hillman**, Colorado Springs, CO (US)

(73) **Assignee:** **Case Logic, Inc.**, Longmont, CO (US)

(*) **Notice:** This patent is subject to a terminal disclaimer.

(**) **Term:** **14 Years**

(21) **Appl. No.:** **29/117,925**

(22) **Filed:** **Jan. 31, 2000**

(51) **LOC (7) Cl.** **06-04**

(52) **U.S. Cl.** **D6/633; D6/407; D6/632; D6/635; D3/218**

(58) **Field of Search** D3/201, 218; D6/407, D6/408, 626-635, 124; D14/26, 27; D19/32, 33, 74, 89; D27/340, 360; 40/626, 771, 775, 307; 150/149; 132/312; 206/307, 308.1, 308.3, 309, 311, 312, 313, 387.13, 396, 408, 730; 281/29; 229/67.1, 68.1, 70-72

(56) **References Cited**

U.S. PATENT DOCUMENTS

- D. 142,334 * 8/1945 Gordon D27/89
- D. 189,809 * 2/1961 Cole et al. D19/27
- D. 247,069 * 1/1978 Siris D3/319
- D. 278,859 * 5/1985 Katz et al. D3/301
- D. 303,042 * 8/1989 Mackey D6/630
- D. 316,180 * 4/1991 Hines D6/629
- D. 328,096 * 7/1992 Gordon D19/26
- D. 330,456 * 10/1992 Lehman D6/631
- D. 332,005 * 12/1992 Walasek D6/630
- D. 352,604 * 11/1994 Johnson D3/303
- D. 360,800 * 8/1995 Temple et al. D6/629
- D. 382,166 * 8/1997 Alves et al. D6/634
- D. 386,014 * 11/1997 Chen D6/407
- D. 391,605 * 3/1998 Wyant D19/27
- D. 403,915 * 1/1999 Temple et al. D6/631
- D. 407,432 * 3/1999 Tell D19/26
- D. 412,936 * 8/1999 Hodes D19/26

- D. 417,889 * 12/1999 French D19/26
- D. 419,186 * 1/2000 Moor D19/27
- D. 424,105 * 5/2000 Platte, III D19/27
- 2,000,302 * 5/1935 Solomon 132/312

(List continued on next page.)

OTHER PUBLICATIONS

Case Logic 1999 Product Catalog, pp. 5, 6 and 7.
cdProjects 1999 Catalog, Cover page, pp. 3, 4, 7, 10 and 23.
BMI Case it Brochure, front and back side of cover page.

Primary Examiner—Celia Murphy

(74) *Attorney, Agent, or Firm*—Sheridan Ross P.C.

(57) **CLAIM**

The ornamental design for a compact disc storage wallet with identifying handle, as shown and described.

DESCRIPTION

FIG. 1 is a perspective view of a compact disc storage wallet with identifying handle showing my new design, in an open position; the broken line shown on the inner leaves in FIGS. 1 and 8 being shown to illustrate environmental subject matter which do not form part of the claimed design; and the broken lines on the surface and edges of the cover throughout the views being understood to represent stitching;

FIG. 2 is a rear perspective view thereof shown in a closed position; the broken lines showing legible indicia being to illustrate environmental subject matter which does not form any part of the claimed design;

FIG. 3 is a left elevation view of the invention illustrated in FIG. 1;

FIG. 4 is a right elevation view of the invention illustrated in FIG. 1;

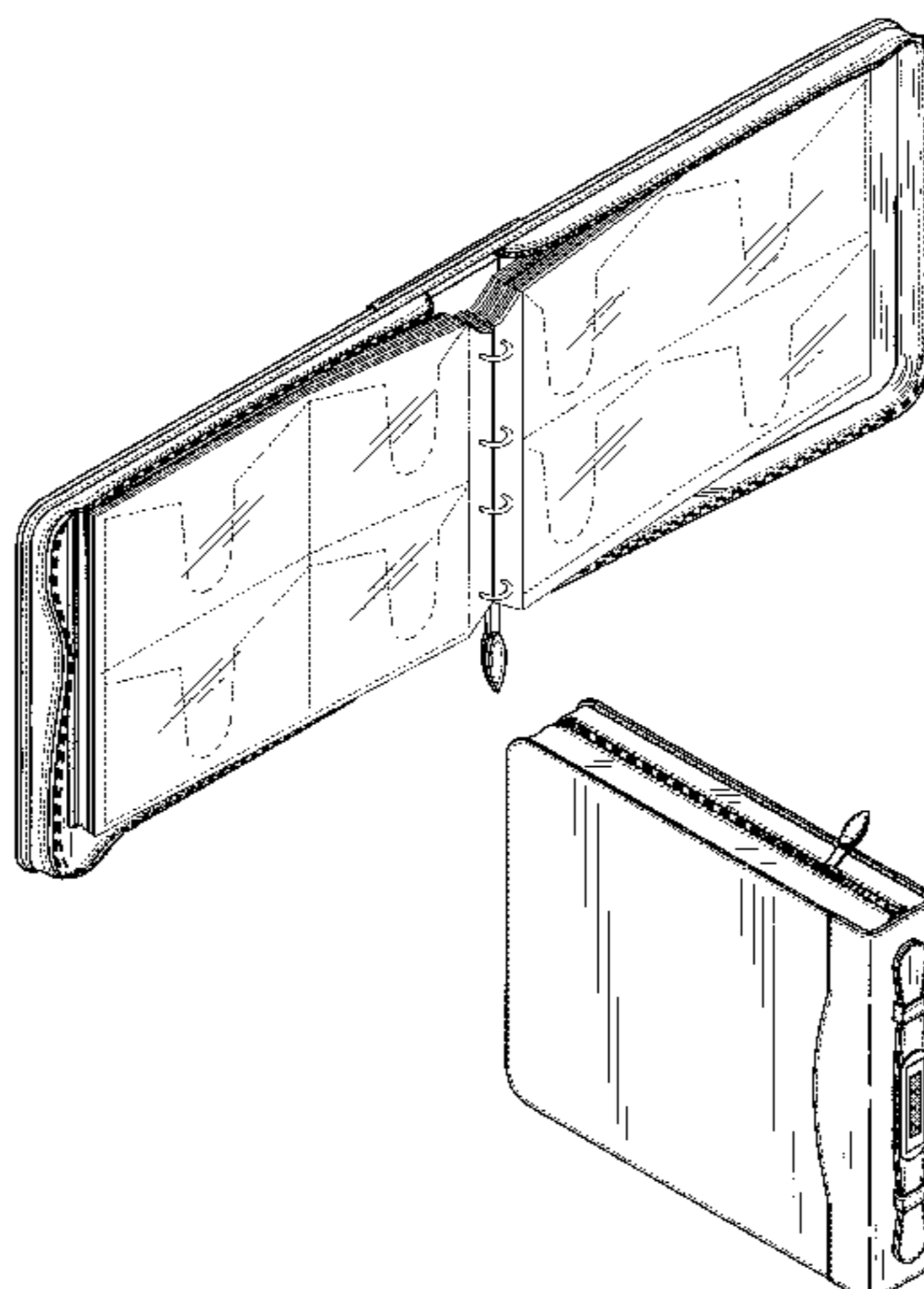
FIG. 5 is a right rear view of the invention illustrated in FIG. 1;

FIG. 6 is a bottom plan view of the invention illustrated in FIG. 1;

FIG. 7 is a top plan view of the invention illustrated in FIG. 1; and,

FIG. 8 is a front elevational view of FIG. 1.

1 Claim, 2 Drawing Sheets



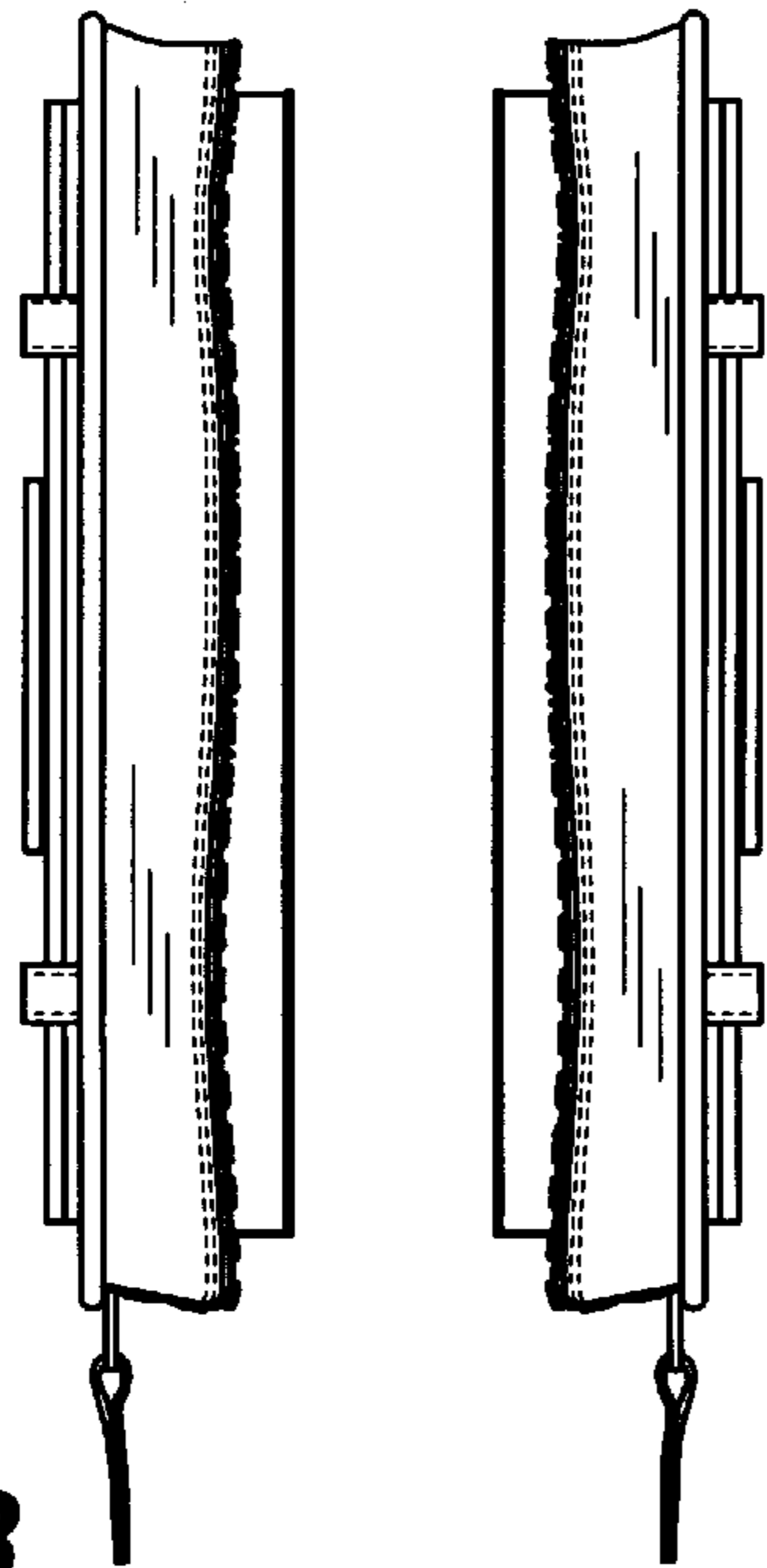
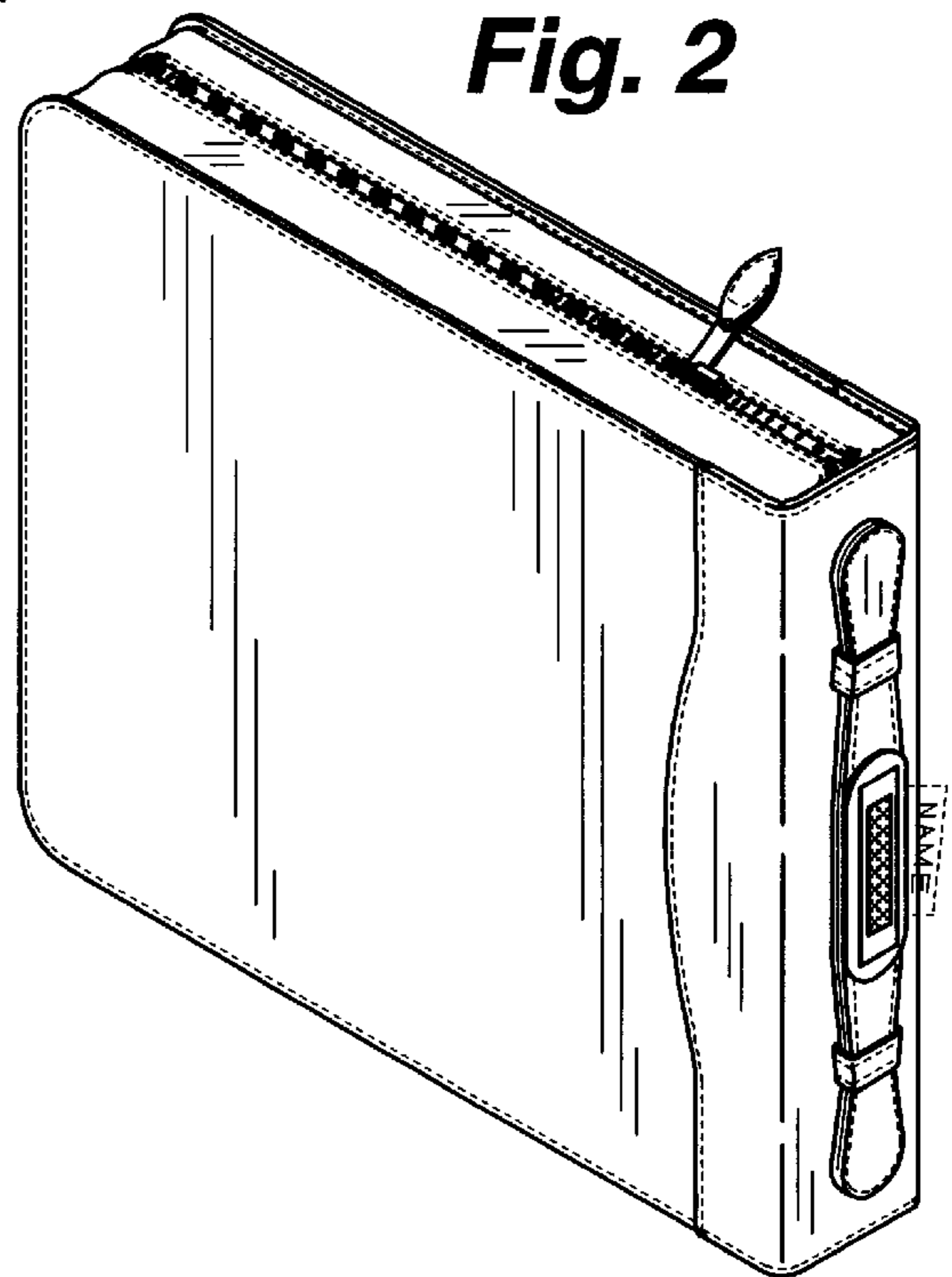
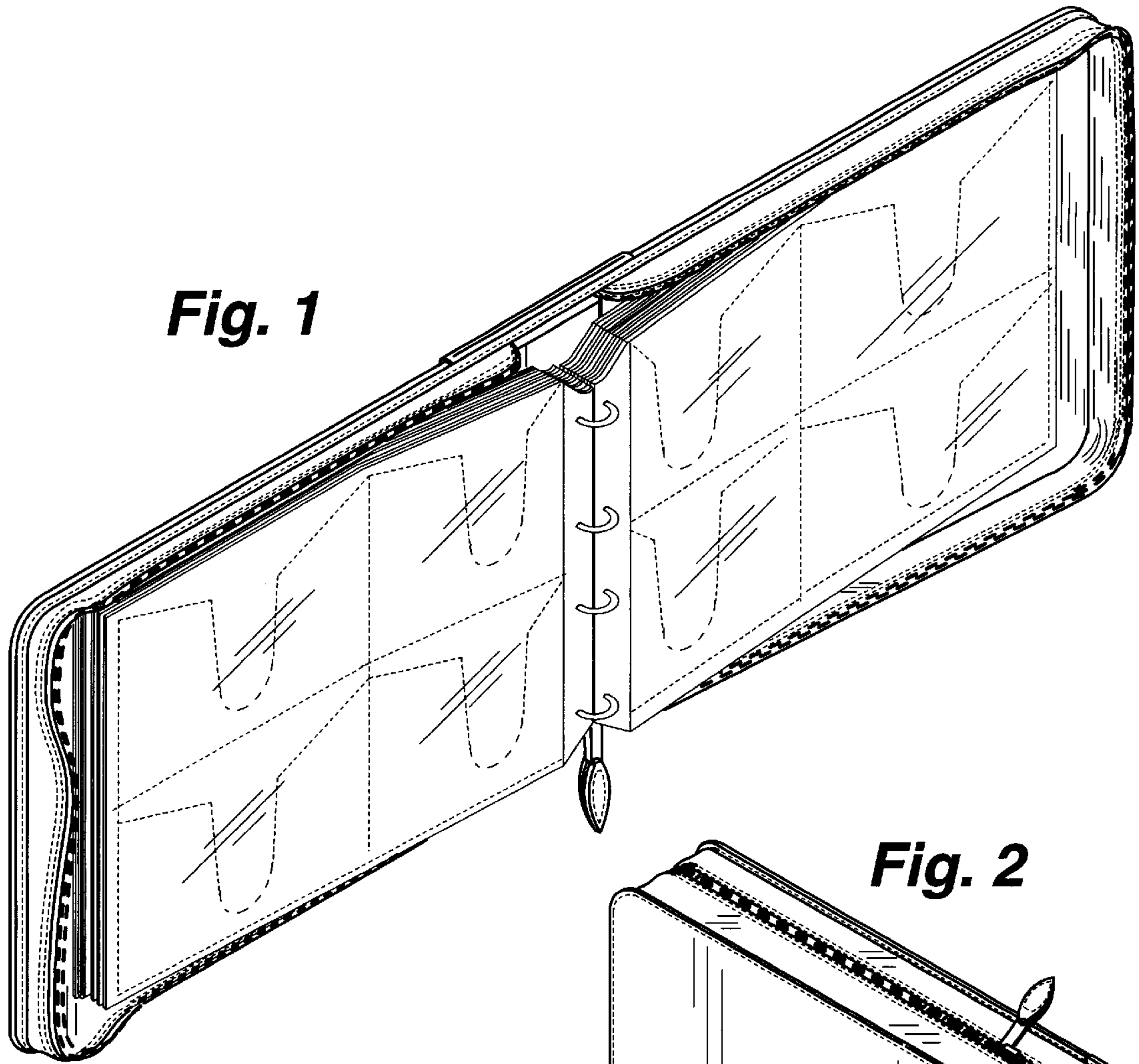
US D437,172 S

Page 2

U.S. PATENT DOCUMENTS

2,004,672	*	6/1935	Penta	150/149	3,029,854	*	4/1962	Burniski	150/149
2,038,319	*	4/1936	Stanley	132/312	3,241,863	*	3/1966	Paddock	281/29
2,076,683	*	4/1937	Tharp	206/730	4,518,275	*	5/1985	Rauch, III et al.	206/308.3
2,828,975	*	4/1958	Wright	281/19.1	5,193,681	*	3/1993	Lievsay	206/308.3

* cited by examiner



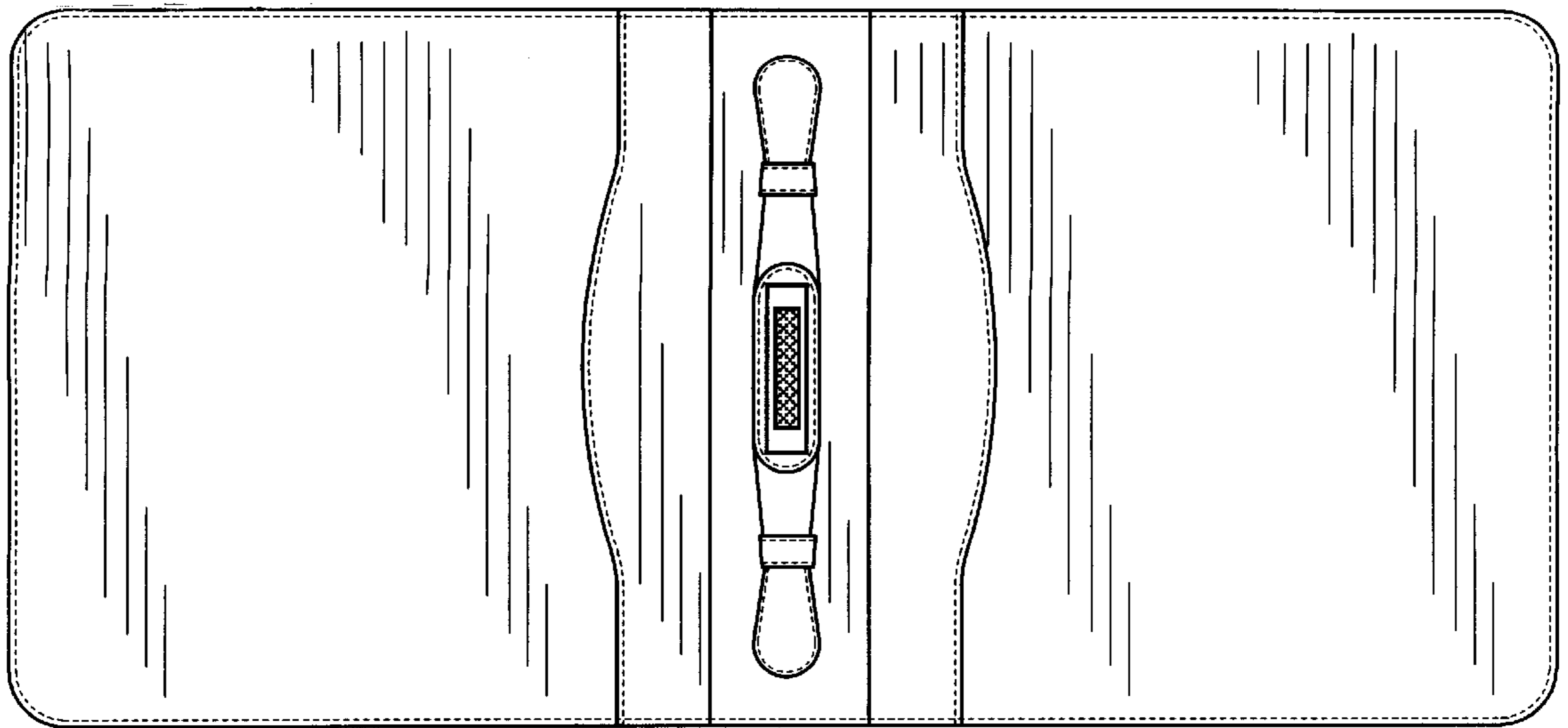


Fig. 5

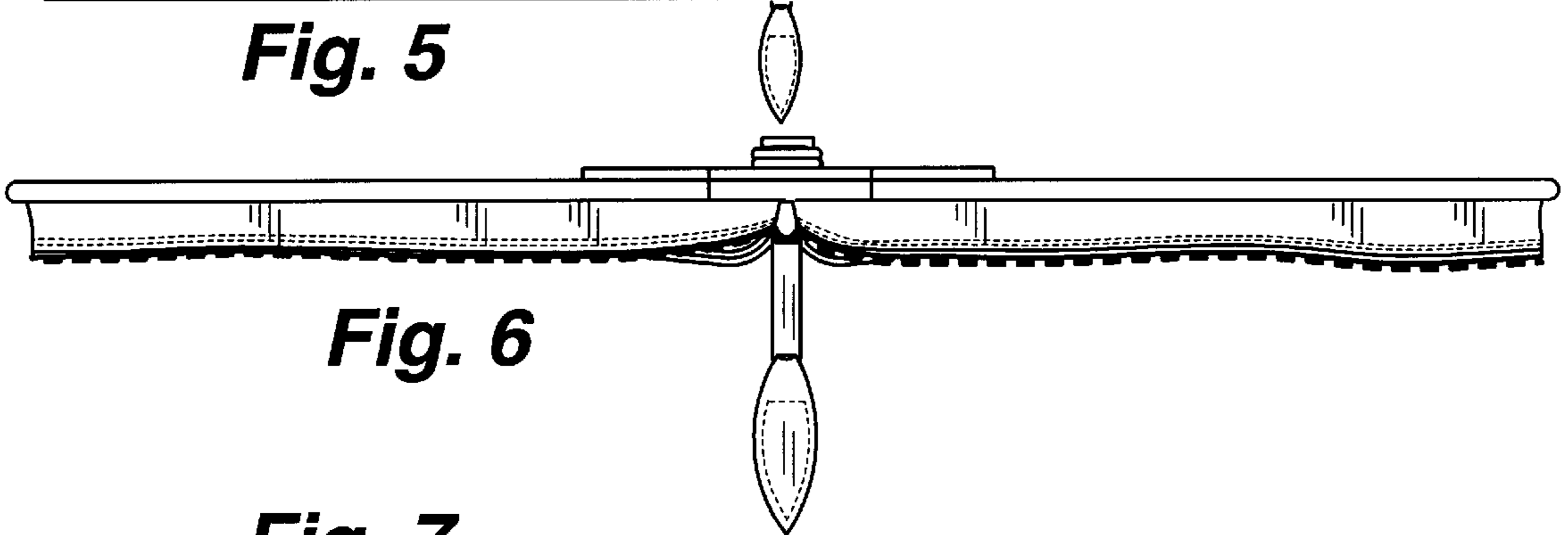


Fig. 6



Fig. 7

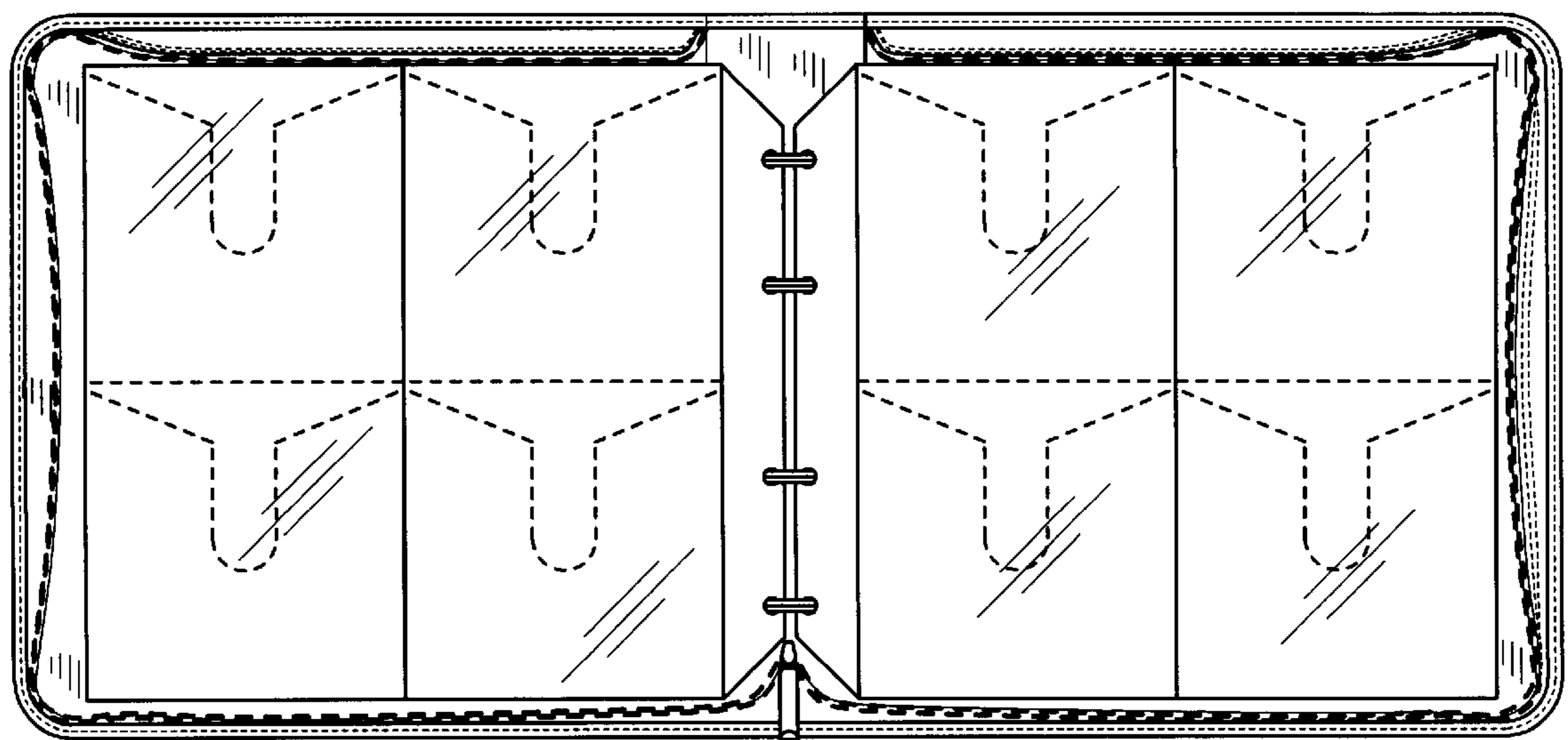


Fig. 8