



US00D437170S

(12) **United States Design Patent**
Atwell et al.

(10) **Patent No.:** **US D437,170 S**

(45) **Date of Patent:** **** Feb. 6, 2001**

(54) **GOLF CART SEAT BACK COVER**

(76) Inventors: **Marie L. Atwell**, 2945 Falling Brook Way, Boise, ID (US) 83706; **Heather M. Price**, 9343 Ruth Marie Dr., Middleton, ID (US) 83644

(**) Term: **14 Years**

(21) Appl. No.: **29/108,959**

(22) Filed: **Aug. 5, 1999**

(51) **LOC (7) Cl.** **06-13**

(52) **U.S. Cl.** **D6/611**

(58) **Field of Search** D6/610, 611; 297/228.13, 297/225, 224, 228; D12/16, 401; 150/159, 158

(56) **References Cited**

U.S. PATENT DOCUMENTS

- D. 112,450 * 12/1938 Kletsy D6/611
- D. 240,882 * 8/1976 Knight D6/610
- D. 245,592 * 8/1977 Davidson D12/16
- 5,694,866 * 12/1997 Muller 297/228.12

OTHER PUBLICATIONS

Patio Sales Catalog, "furniture raincoat covers", p. 14, Oct. 1960.*

* cited by examiner

Primary Examiner—Louis S. Zarfaz
Assistant Examiner—Inga-Maria Hyttinen
(74) *Attorney, Agent, or Firm*—Frank J. Dykas

(57) **CLAIM**

The ornamental design for a golf cart seat back cover, as shown and described.

DESCRIPTION

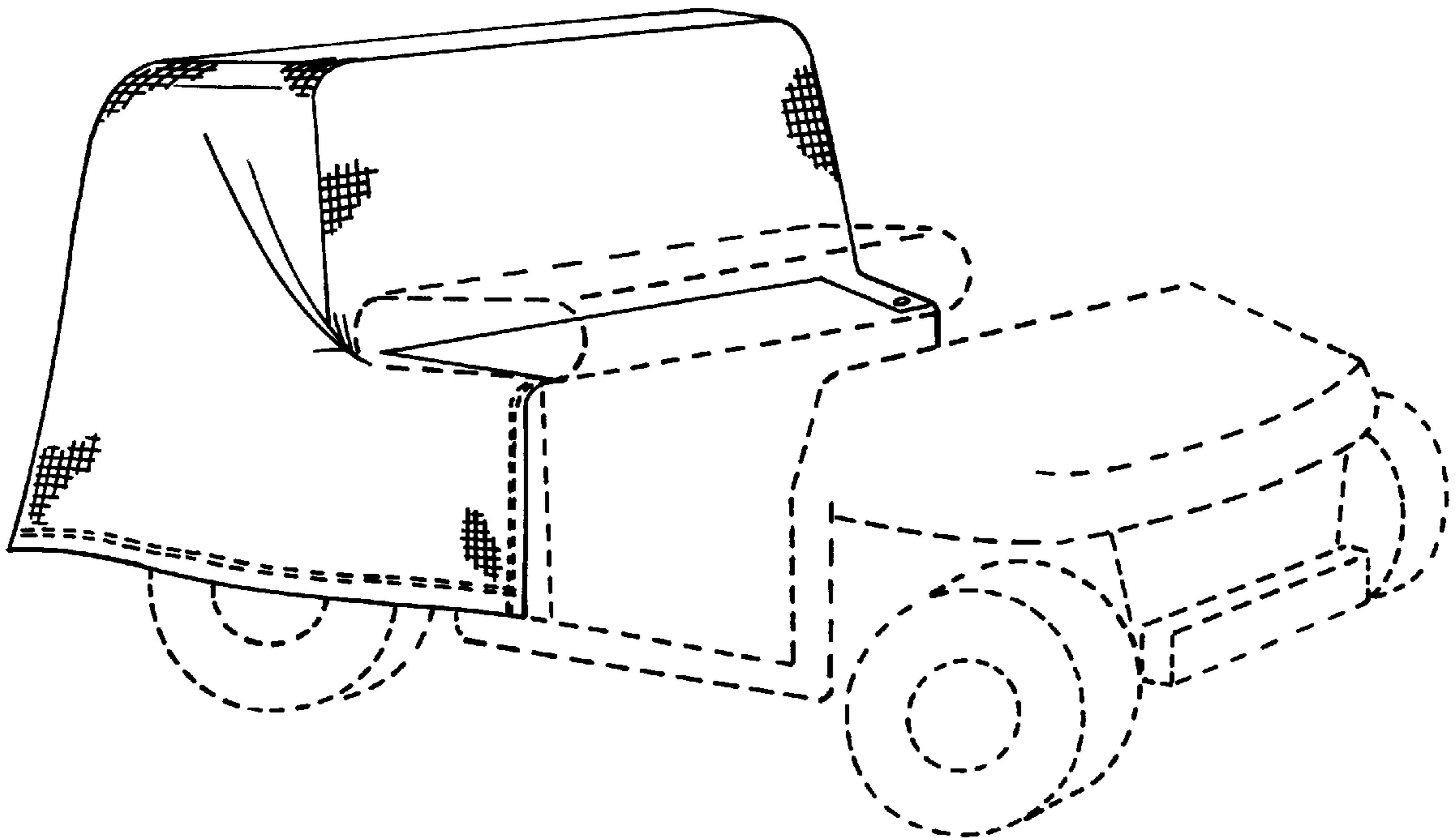
FIG. 1 is a perspective view of a golf cart seat back cover showing our new design. The broken lines within FIG. 1 showing the environment are for illustrative purposes only and form no part of the claimed design;

FIG. 2 is a left side view of the golf cart seat back cover; FIG. 3 is a right side view of the golf cart seat back cover; FIG. 4 is a rear view of the golf cart seat back cover; FIG. 5 is a front view of the golf cart seat back cover; FIG. 6 is a top view of the golf cart seat back cover; and, FIG. 7 is a bottom view of the golf cart seat back cover.

The fragmentary criss-cross pattern shown on the golf cart seat back cover represents fabric and is understood to be repeated uniformly throughout the area shown.

The double broken line shown on the golf cart seat back cover represents stitching.

1 Claim, 4 Drawing Sheets



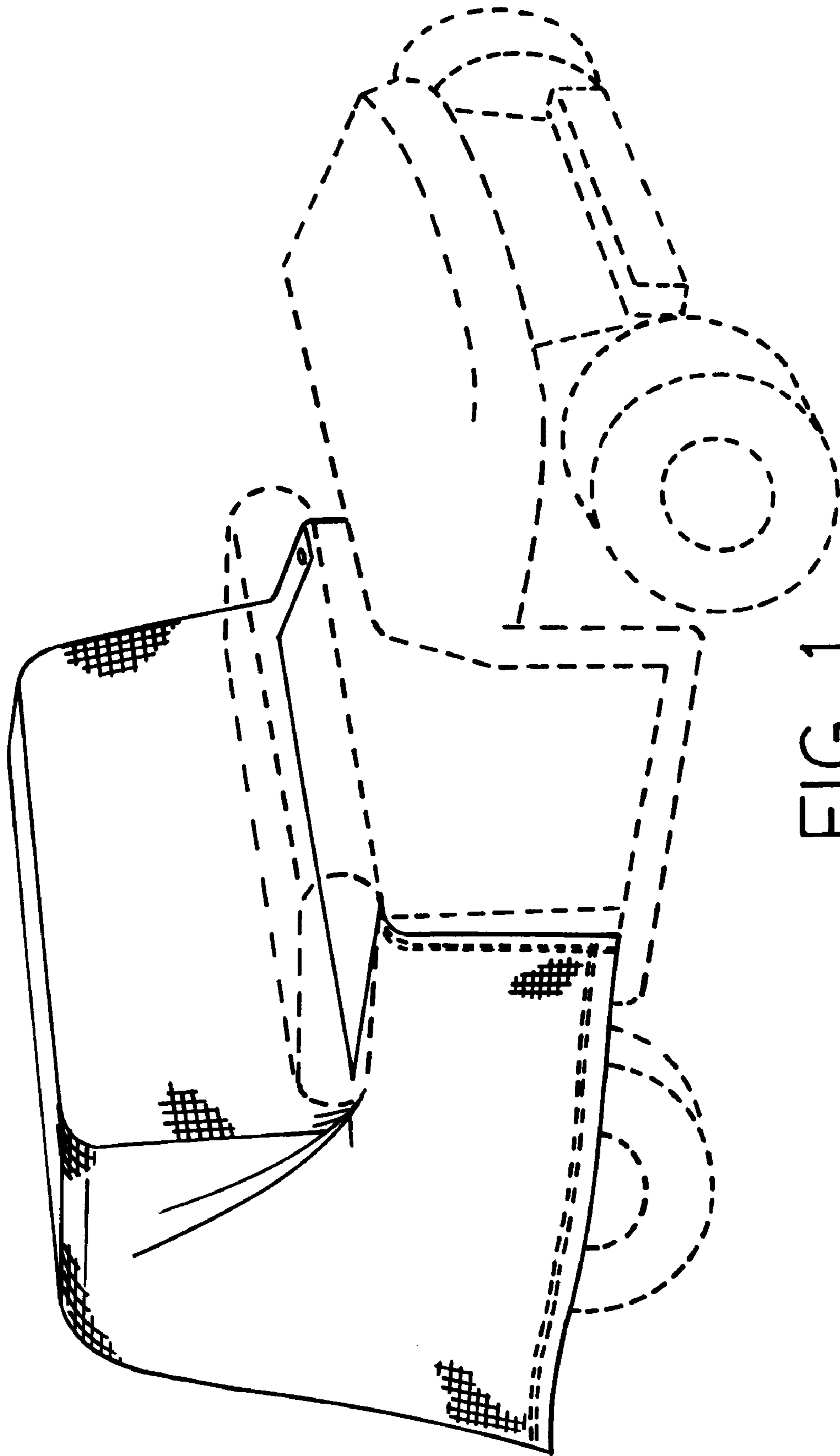


FIG. 1

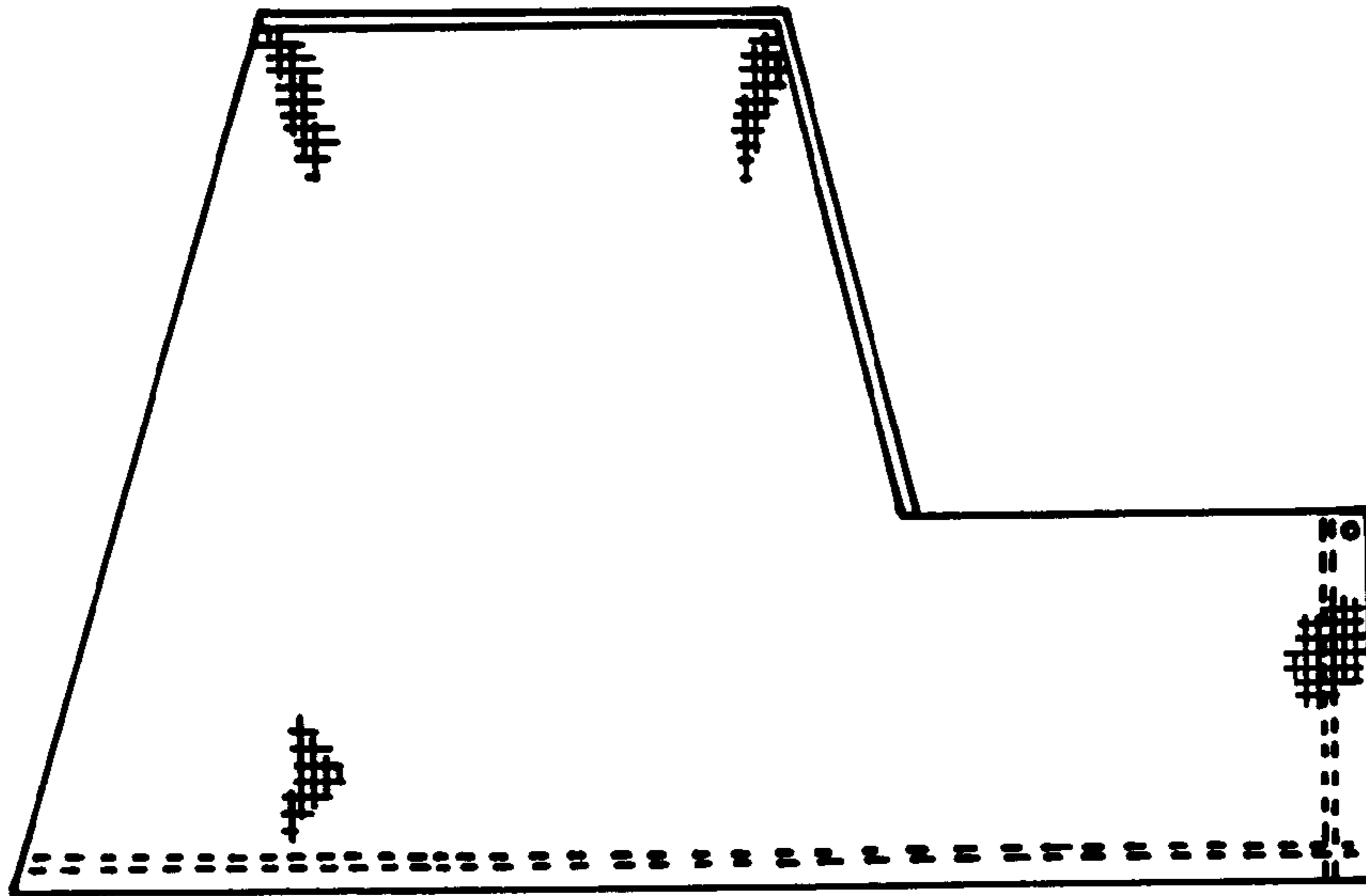


FIG. 2

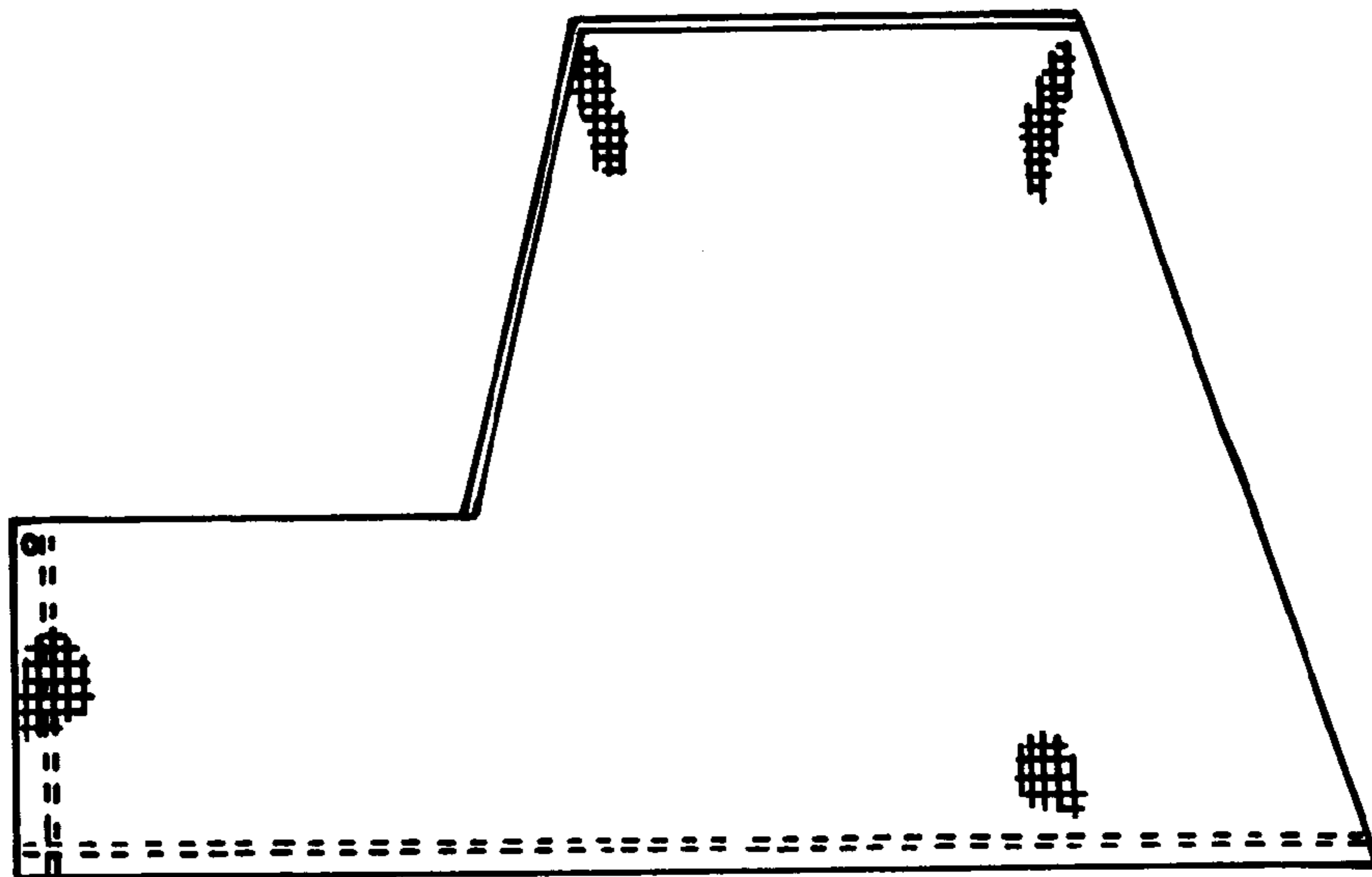


FIG. 3

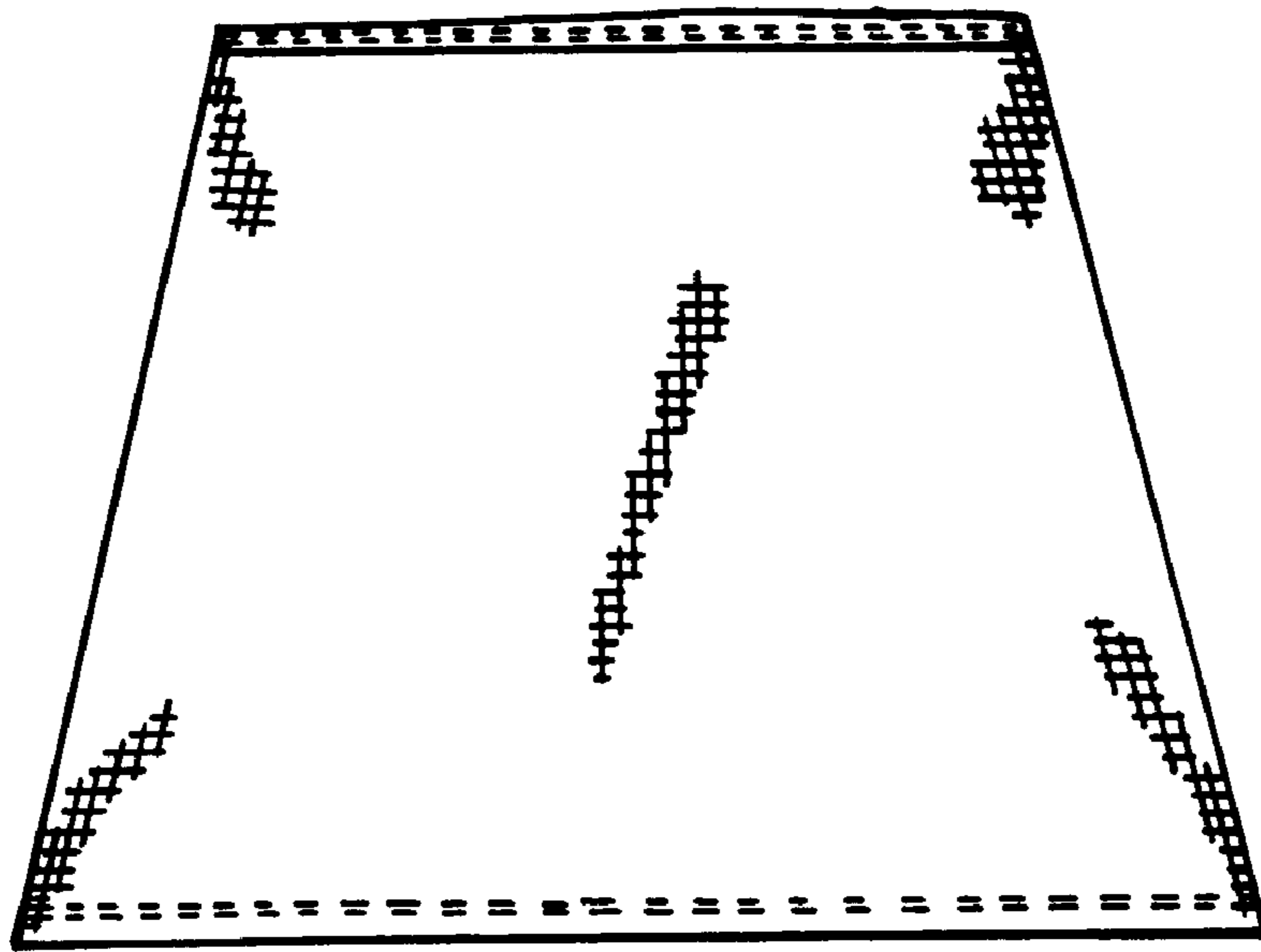


FIG. 4

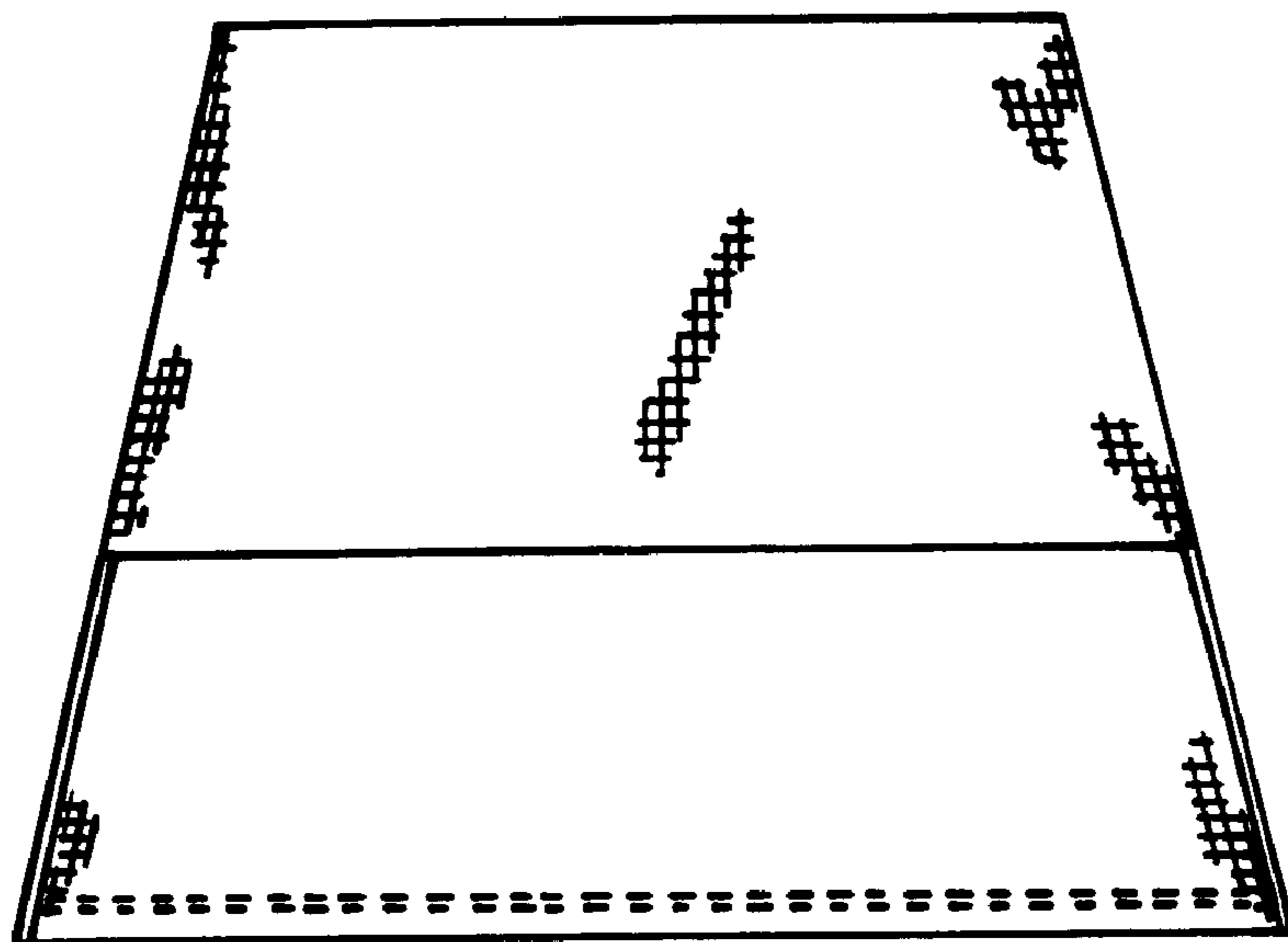


FIG. 5

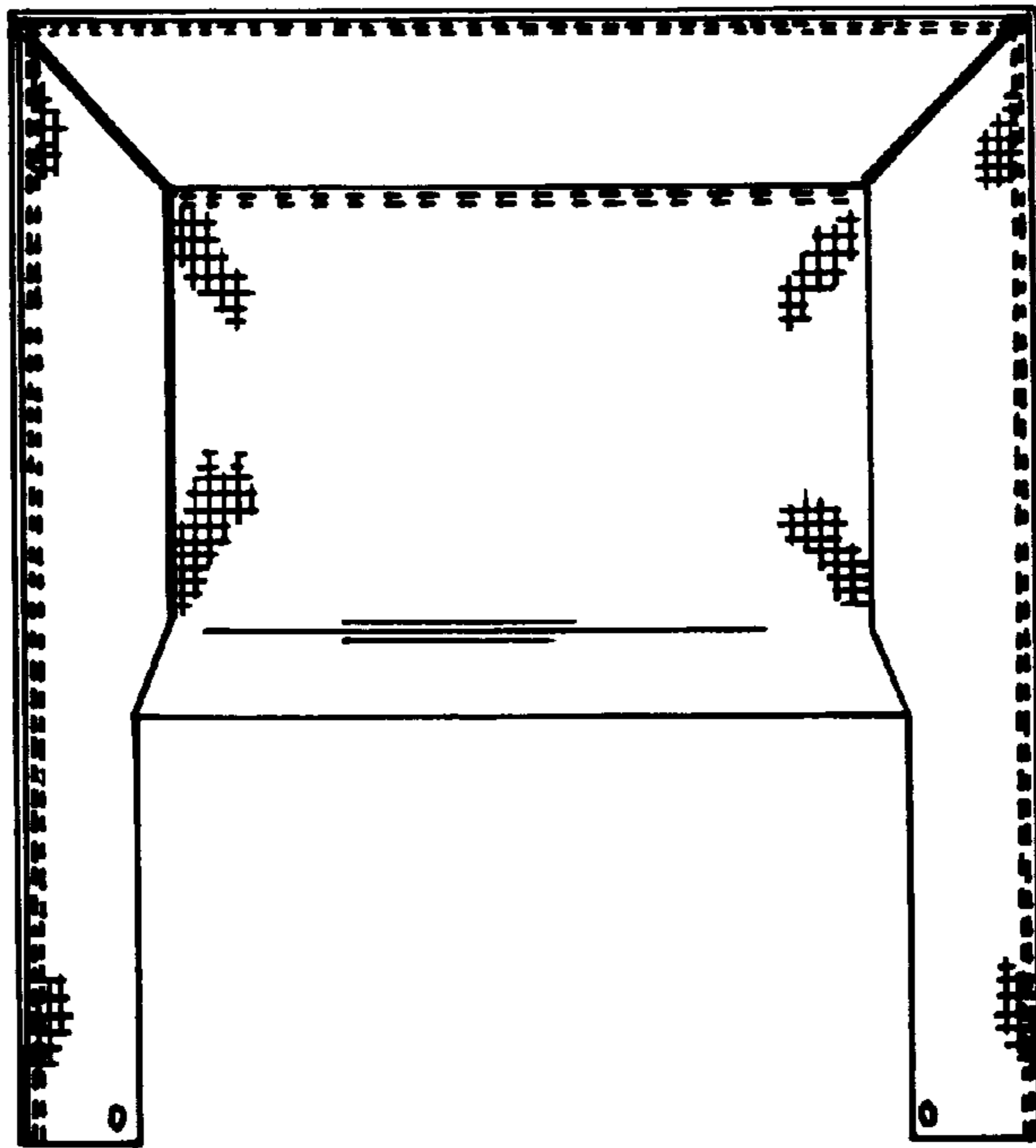


FIG. 6

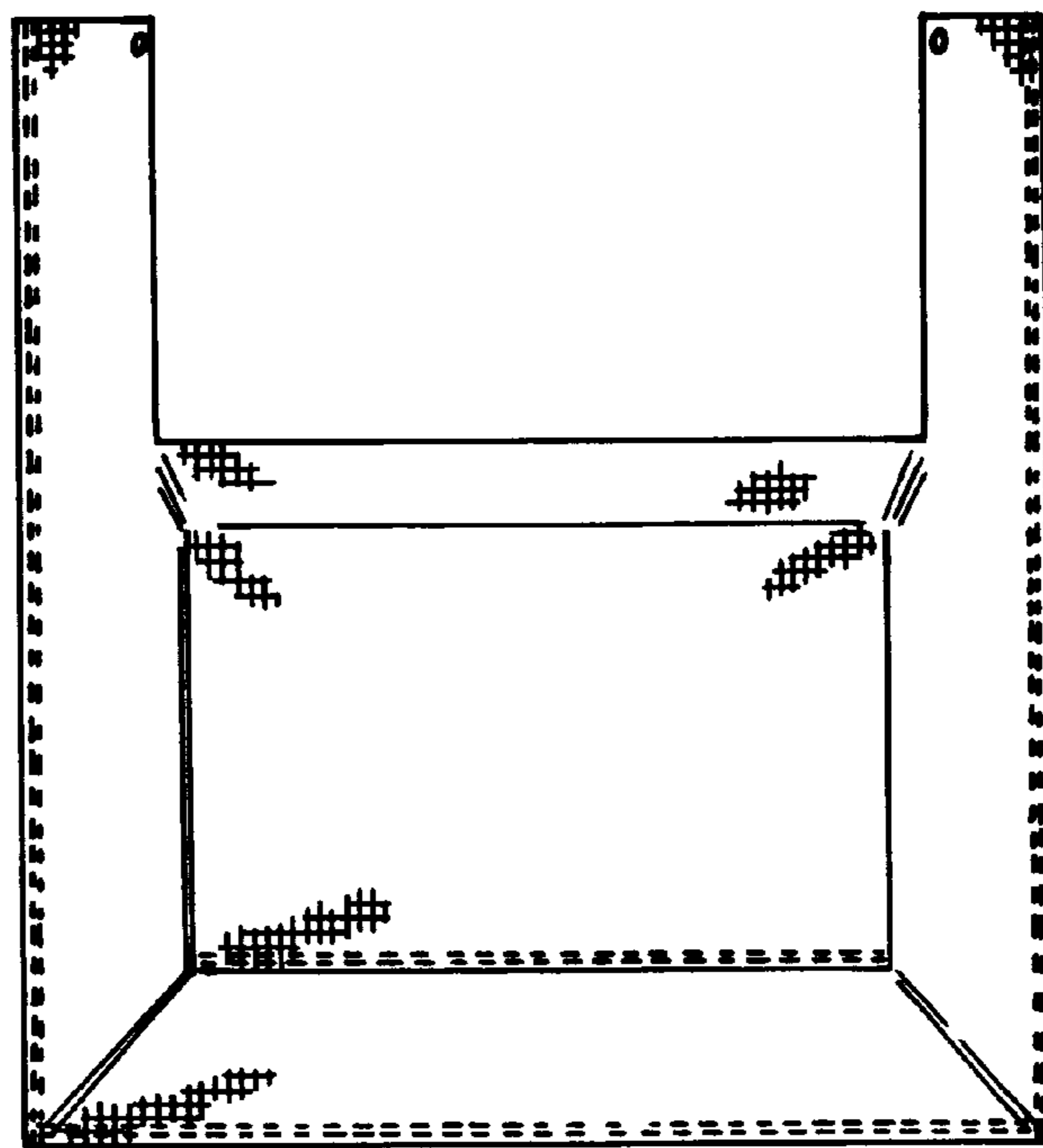


FIG. 7