



US00D437168S

(12) **United States Design Patent**  
**Trees**

(10) **Patent No.:** **US D437,168 S**

(45) **Date of Patent:** **\*\* Feb. 6, 2001**

(54) **DISPLAY CASE**

(76) **Inventor:** **Scott K. Trees**, 1295 Gordon Ave.,  
Reno, NV (US) 29509

(\*\*) **Term:** **14 Years**

(21) **Appl. No.:** **29/124,841**

(22) **Filed:** **Jun. 13, 2000**

D. 141,750	7/1945	Coates	.....	D6/570
D. 169,674	5/1953	Hyams	.....	D80/9
D. 232,609	9/1974	Bishop	.....	D6/171
D. 255,300	6/1980	Charles	.....	D6/571
D. 292,651	11/1987	Stratton	.....	D6/301
D. 353,736	12/1994	Wenkman	.....	D6/517
917,170	4/1909	Short	.	
922,274	5/1909	Gilmore	.	
1,715,078	5/1929	Whyte et al.	.....	211/55 X
2,105,594	1/1938	Henrich	.....	211/50
2,927,699	3/1960	McGraw	.....	211/51

**Related U.S. Application Data**

(62) Division of application No. 29/105,009, filed on May 14, 1999.

(51) **LOC (7) Cl.** ..... **06-04**

(52) **U.S. Cl.** ..... **D6/571**

(58) **Field of Search** ..... D6/566, 567, 569-571;  
211/10, 12, 44, 45, 50, 55, 86-87, 89, 106,  
119, 181.1; 206/45, 425, 554-555, 449,  
556; 221/92; 248/302, 309.1, 905

**References Cited**

**U.S. PATENT DOCUMENTS**

D. 32,099	1/1900	Perry	.	
71,878	12/1867	Hill	.	
D. 137,945	5/1944	Geller et al.	.....	D80/9

*Primary Examiner*—Brian N. Vinson

(74) *Attorney, Agent, or Firm*—Rhodes & Mason, P.L.L.C.

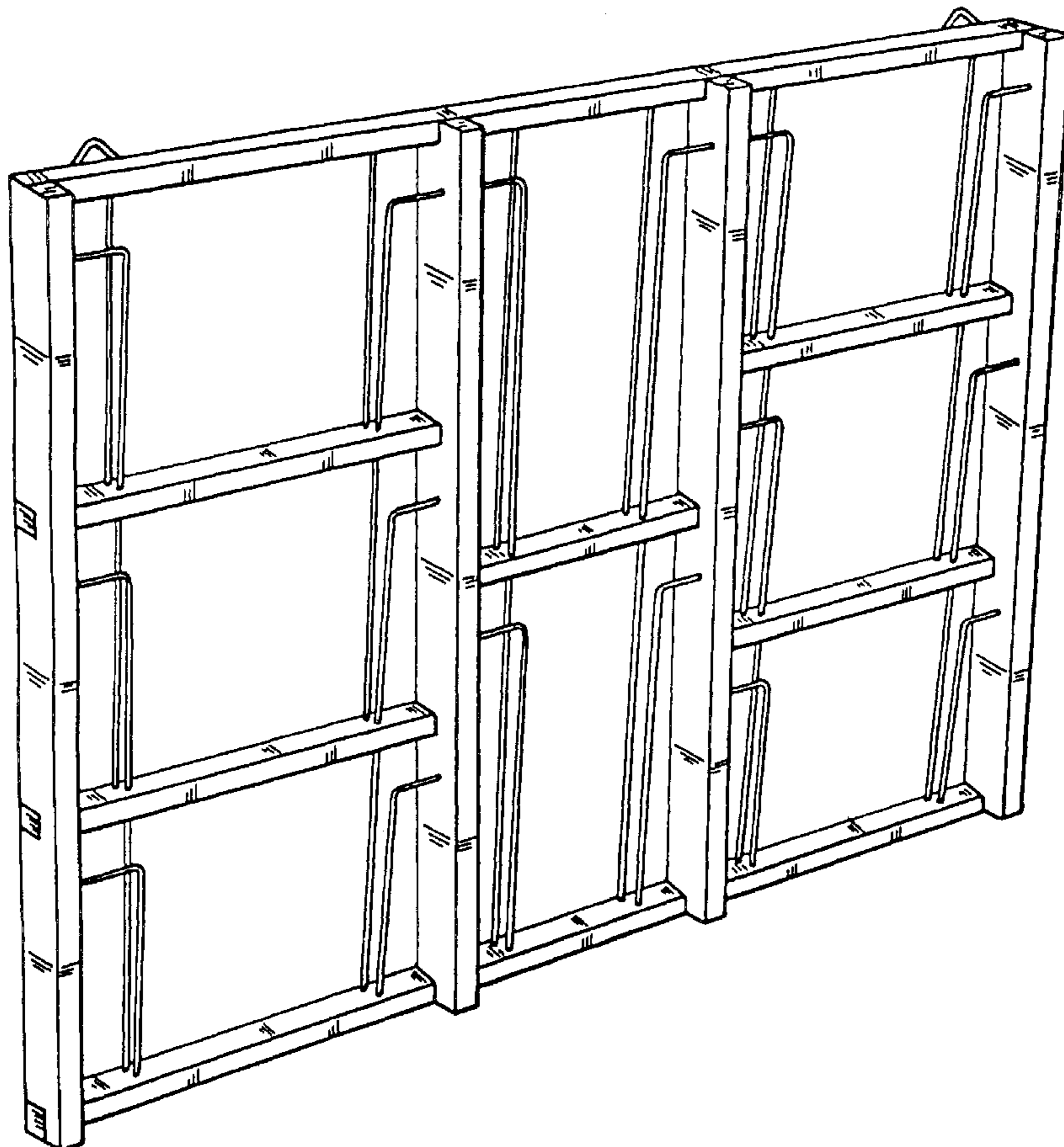
(57) **CLAIM**

The ornamental design for a display case, as shown and described.

**DESCRIPTION**

FIG. 1 is a front perspective view of a display case showing my new design;  
FIG. 2 is a side elevational view thereof, the opposite side elevational view being a mirror image;  
FIG. 3 is a front elevational view thereof; and,  
FIG. 4 is a top plan view thereof.

**1 Claim, 2 Drawing Sheets**



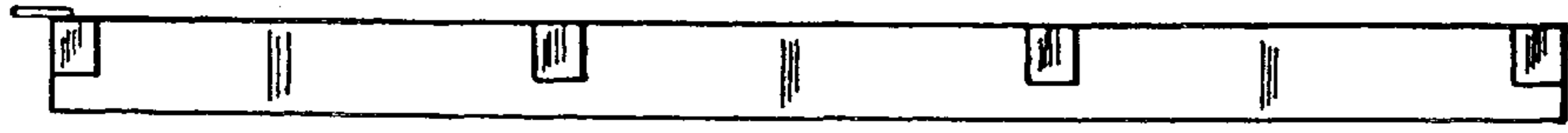


FIG. 2

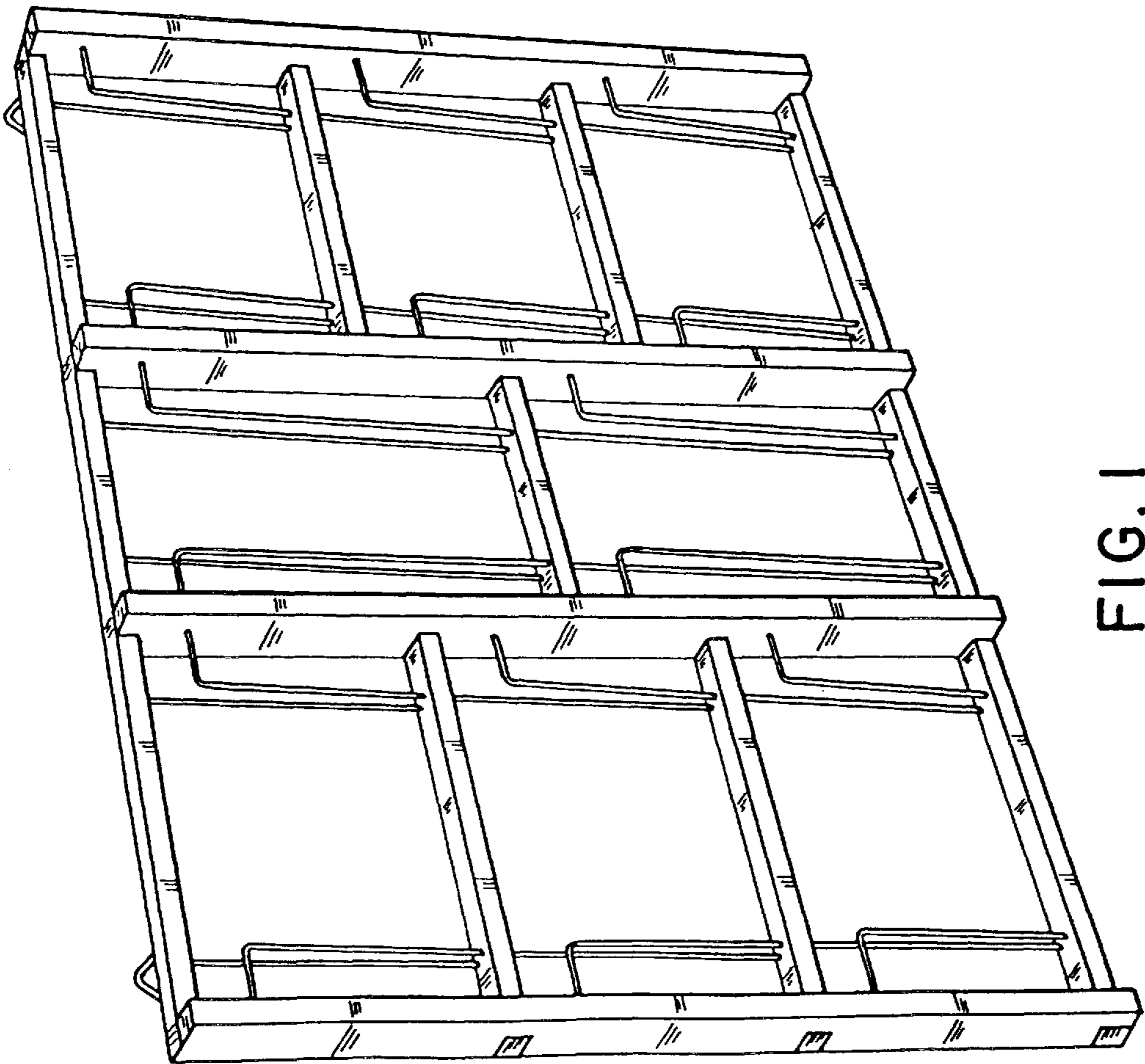


FIG. 1

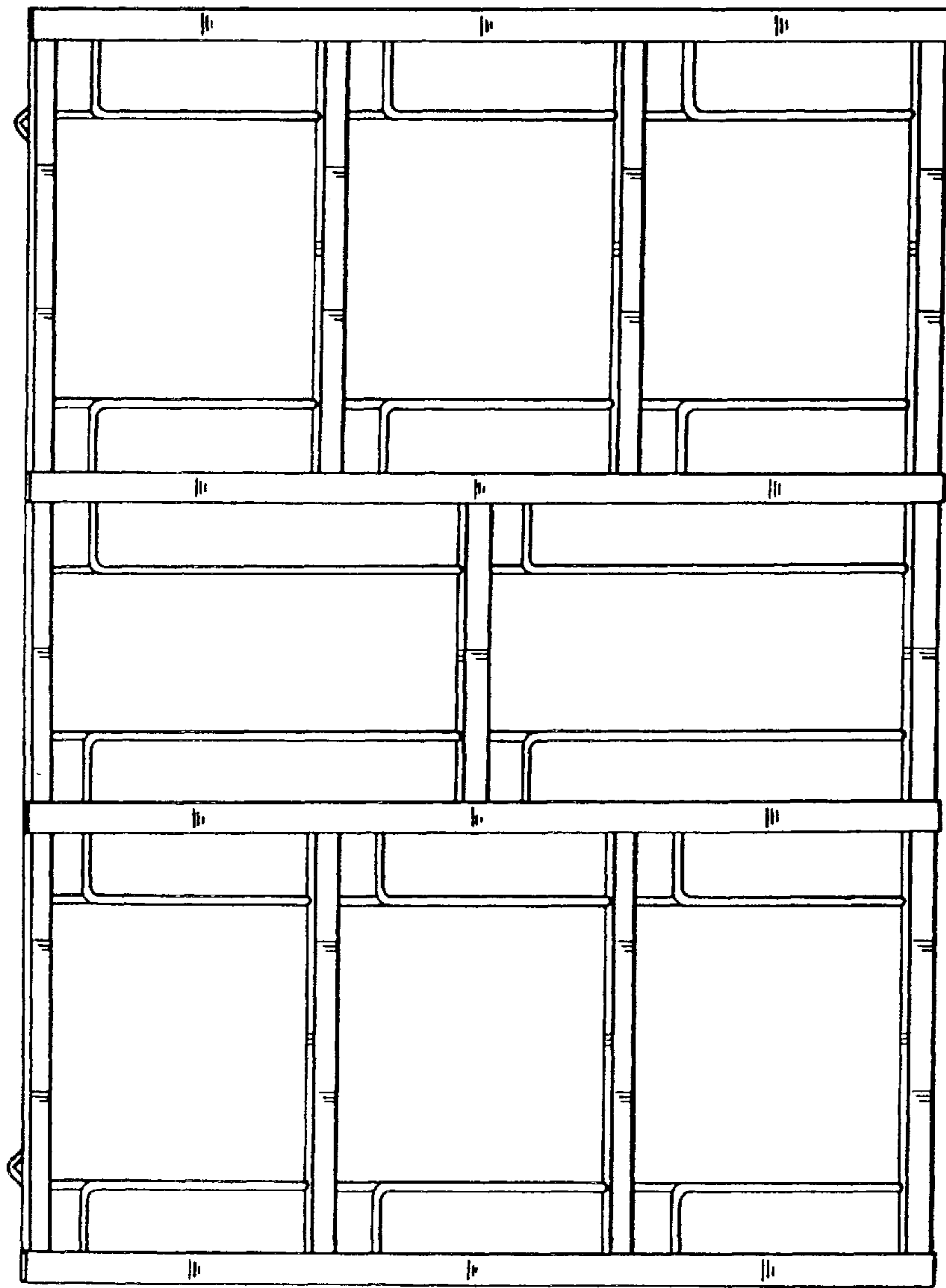


FIG. 3

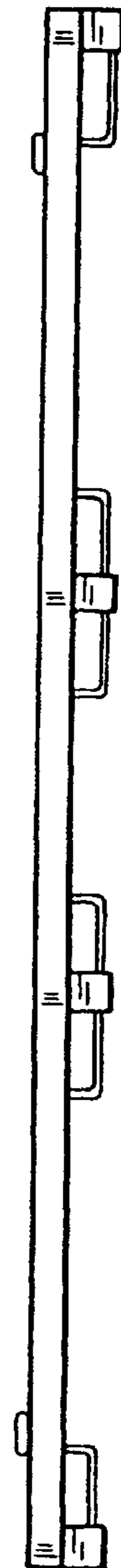


FIG. 4