



US00D437166S

(12) **United States Design Patent**
Court et al.

(10) **Patent No.:** **US D437,166 S**

(45) **Date of Patent:** **** Feb. 6, 2001**

(54) **POST BOX WITH FRAME**

(74) *Attorney, Agent, or Firm*—Janis Biksa

(75) **Inventors:** **Charlene A. Court; Jane Kim**, both of San Francisco, CA (US)

(57) **CLAIM**

The ornamental design for a “post box with frame”, as shown and described.

(73) **Assignee:** **Williams-Sonoma, Inc.**, San Francisco, CA (US)

DESCRIPTION

(**) **Term:** **14 Years**

FIG. 1 shows a front perspective view of a first embodiment according to the invention;

(21) **Appl. No.:** **29/121,029**

FIG. 2 shows a back perspective view of the embodiment of FIG. 1;

(22) **Filed:** **Mar. 30, 2000**

FIG. 3 shows a front view of the embodiment of FIG. 1;

(51) **LOC (7) Cl.** **06-04**

FIG. 4 shows a right side view of the embodiment of FIG. 1, the left side being a mirror image thereof;

(52) **U.S. Cl.** **D6/567**

FIG. 5 shows a back view of the embodiment of FIG. 1;

(58) **Field of Search** D6/553, 567, 568, D6/569–574, 300; 40/722, 727; 206/425, 449; 211/13.1, 44, 60.1, 71, 74, 75, 85.1, 86–88, 126.1, 134; 248/902, 905, 907; 312/245

FIG. 6 shows a top view of the embodiment of FIG. 1;

FIG. 7 shows a bottom view of the embodiment of FIG. 1;

FIG. 8 shows a front perspective view of the embodiment according to the invention;

FIG. 9 shows a back perspective view of the second embodiment of FIG. 8;

FIG. 10 shows a back view of the embodiment of FIG. 8;

FIG. 11 shows a right side view of the embodiment according to the invention;

FIG. 12 shows a back view of the embodiment of FIG. 8;

FIG. 13 shows a top view of the embodiment of FIG. 8; and, FIG. 14 shows a bottom view of the embodiment of FIG. 8. The broken-line disclosure in the views is understood to be for illustrative purposes only and forms no part of the claimed design.

(56) **References Cited**

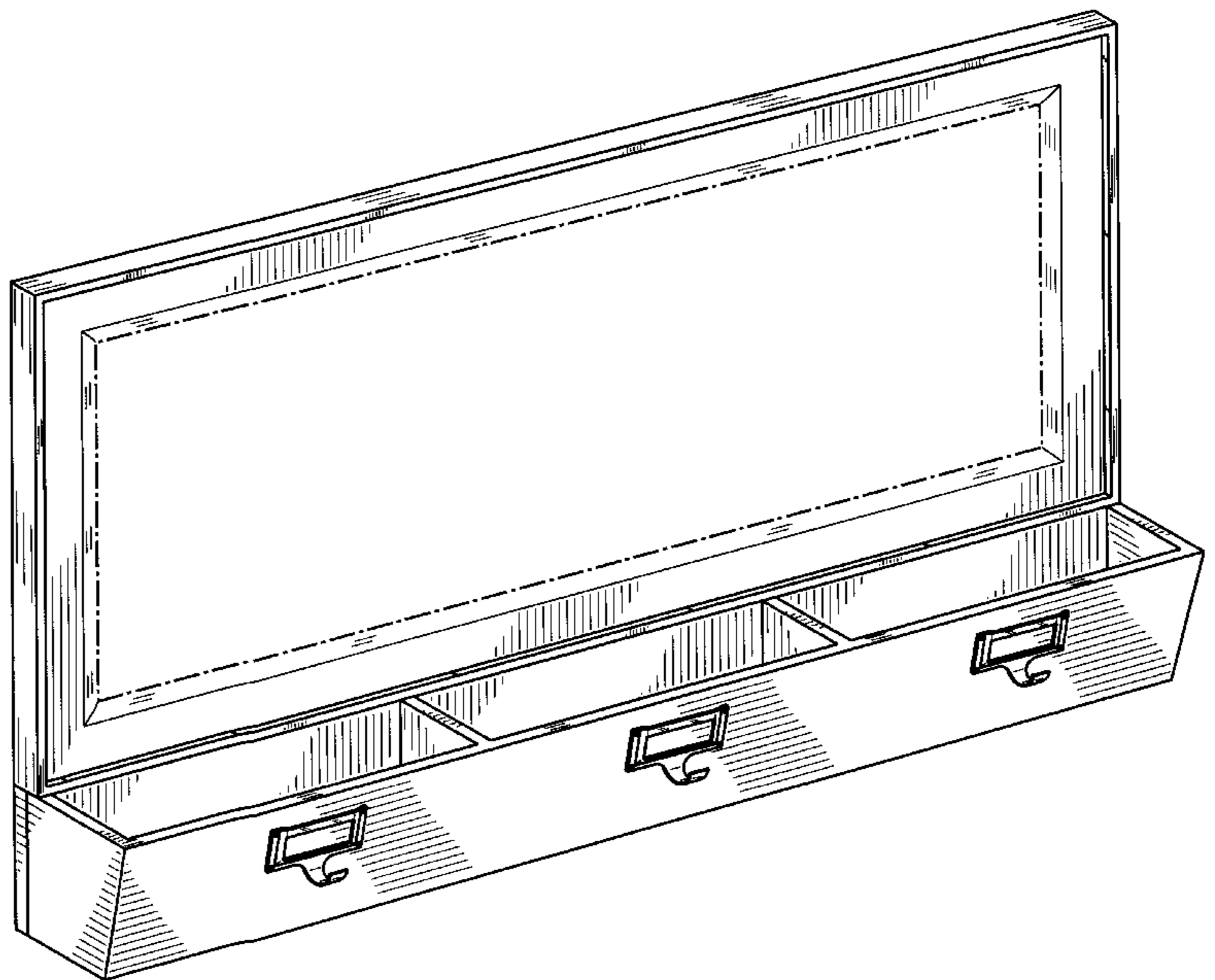
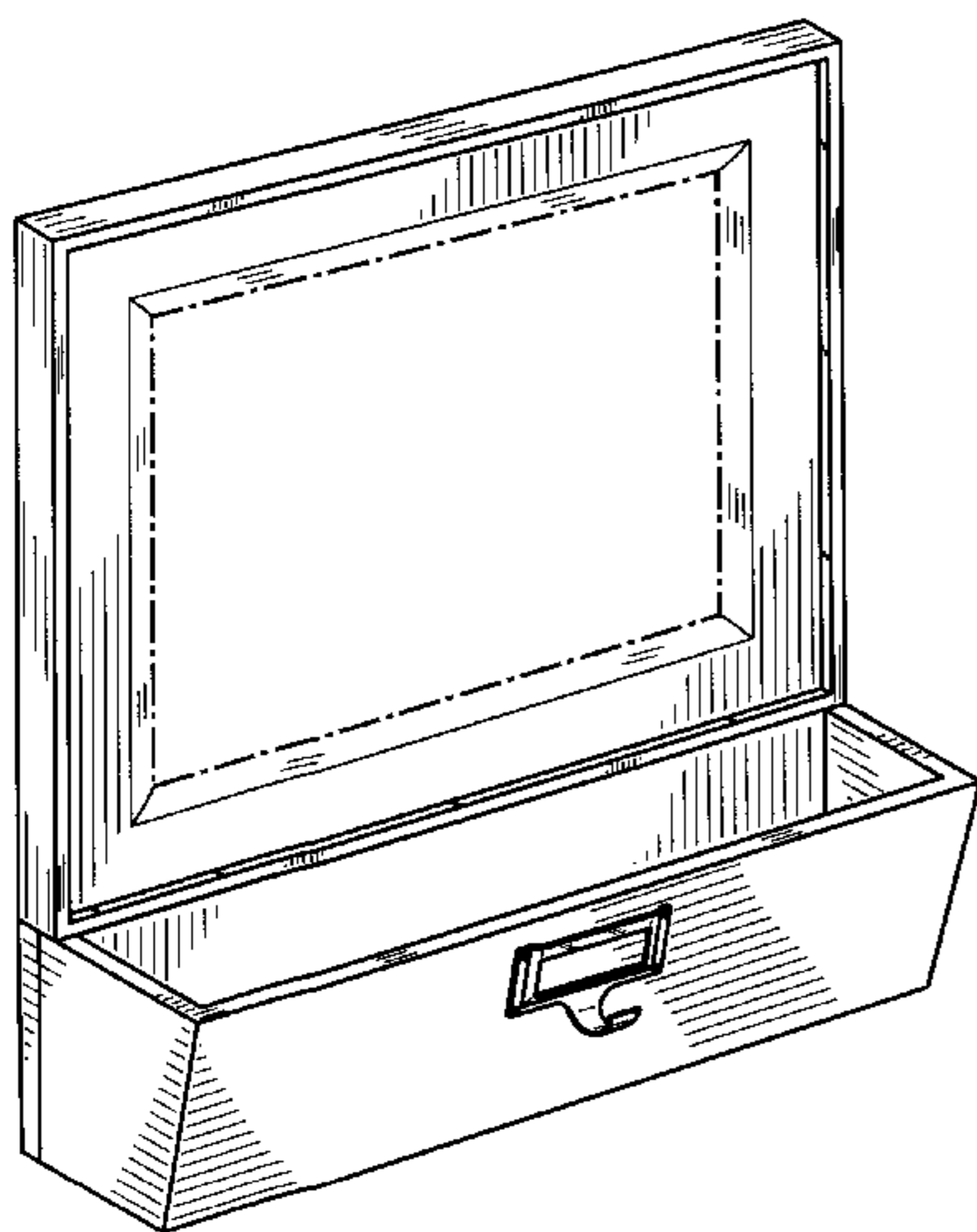
U.S. PATENT DOCUMENTS

- D. 141,423 * 5/1945 Lewis D6/573
- D. 267,808 * 2/1983 Russo D6/567 X
- D. 280,466 * 9/1985 Seltzer et al. D6/567 X
- D. 296,965 * 8/1988 Yeh D6/573
- D. 402,697 * 12/1998 Rosen D6/553 X
- D. 410,163 * 5/1999 McNeil D6/567

* cited by examiner

Primary Examiner—Brian N. Vinson

1 Claim, 8 Drawing Sheets



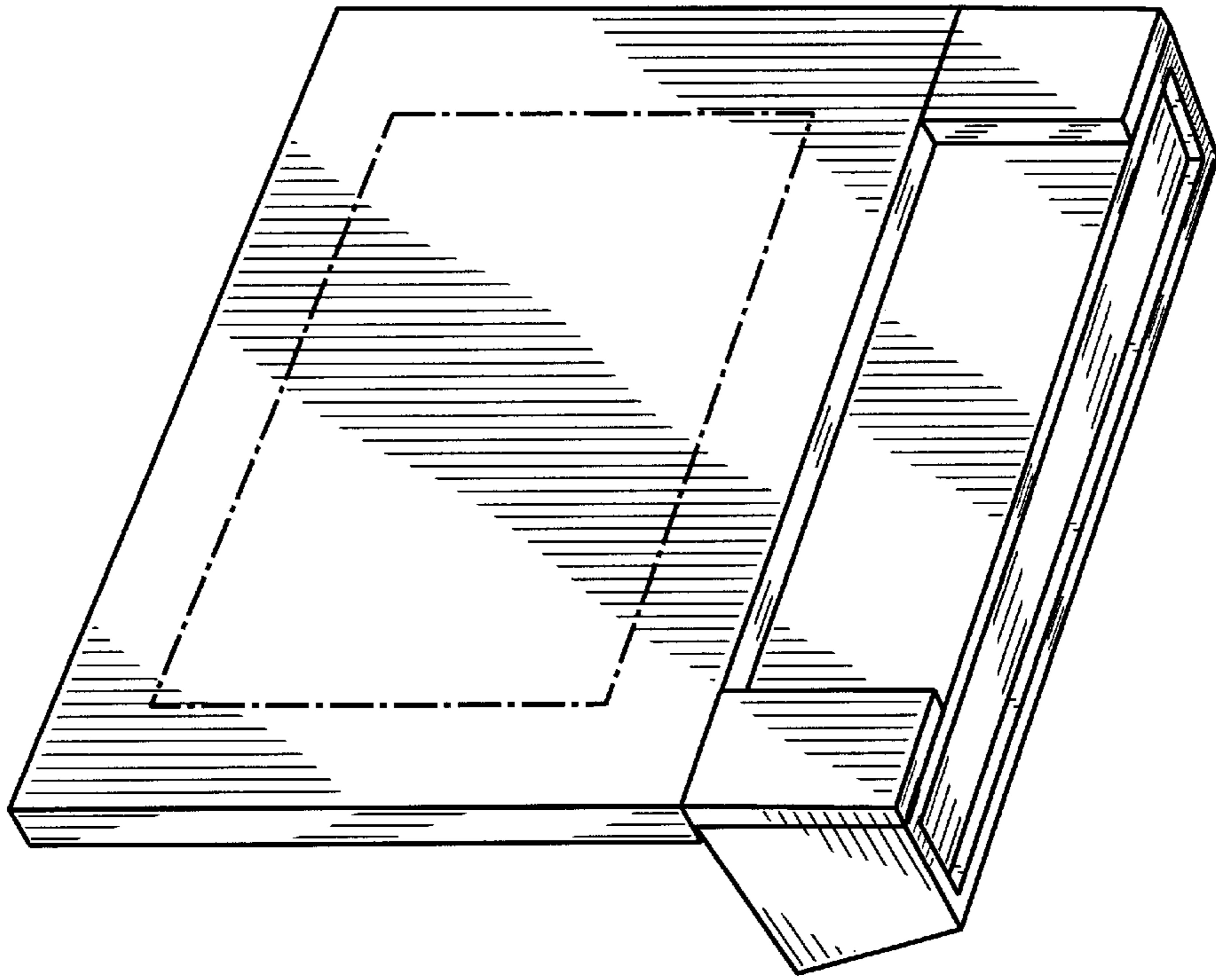


FIG.-2

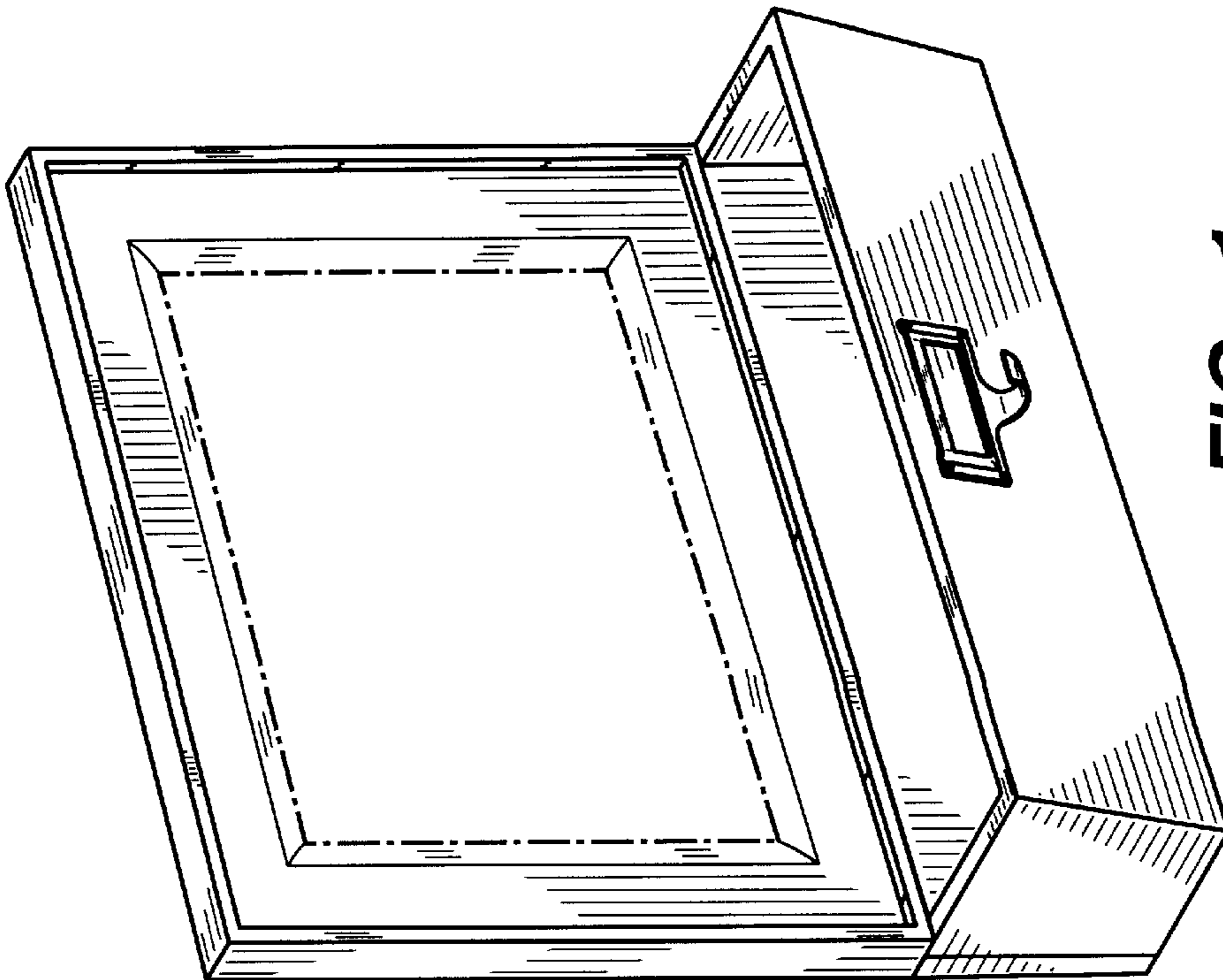


FIG.-1

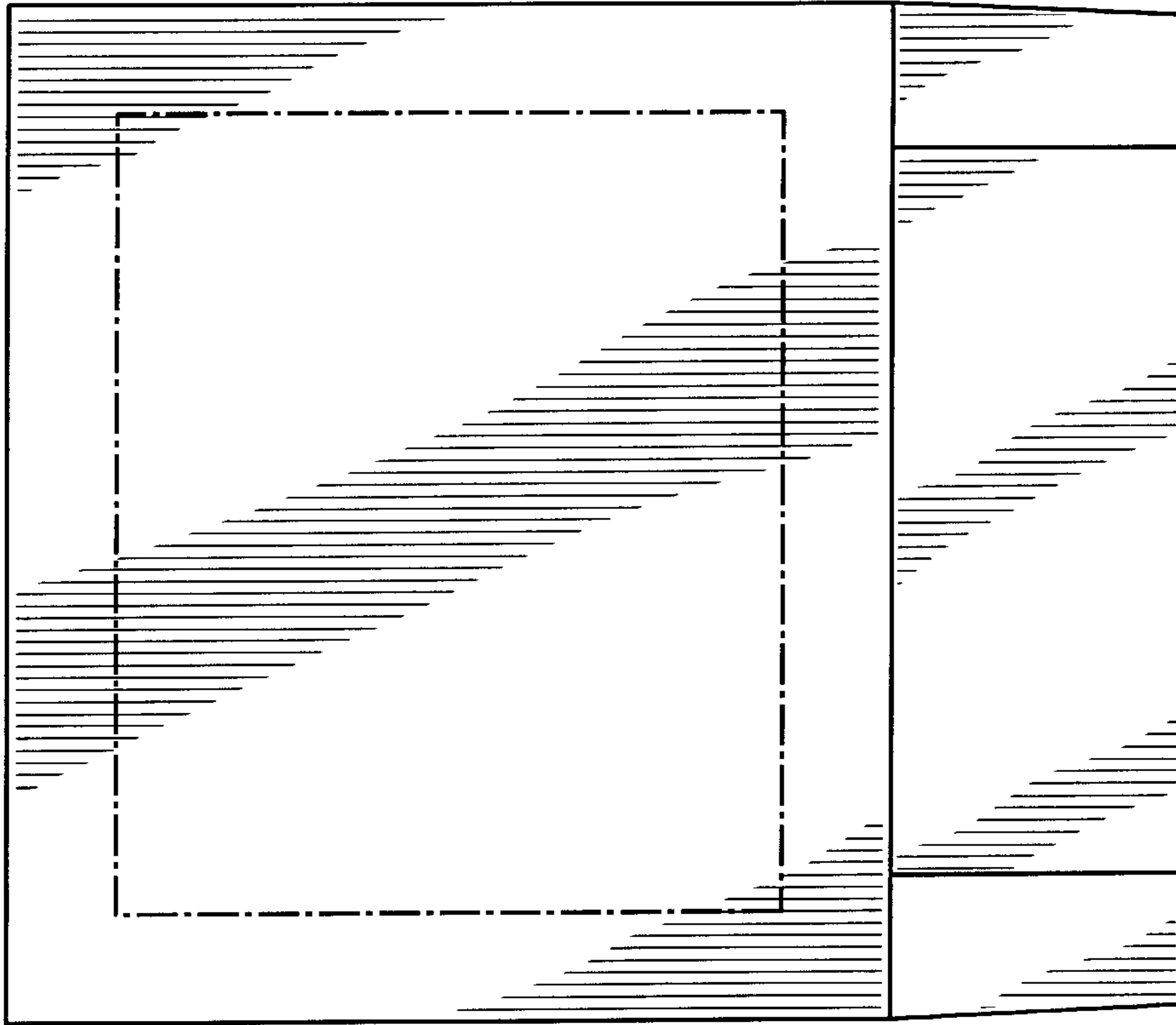


FIG. 5

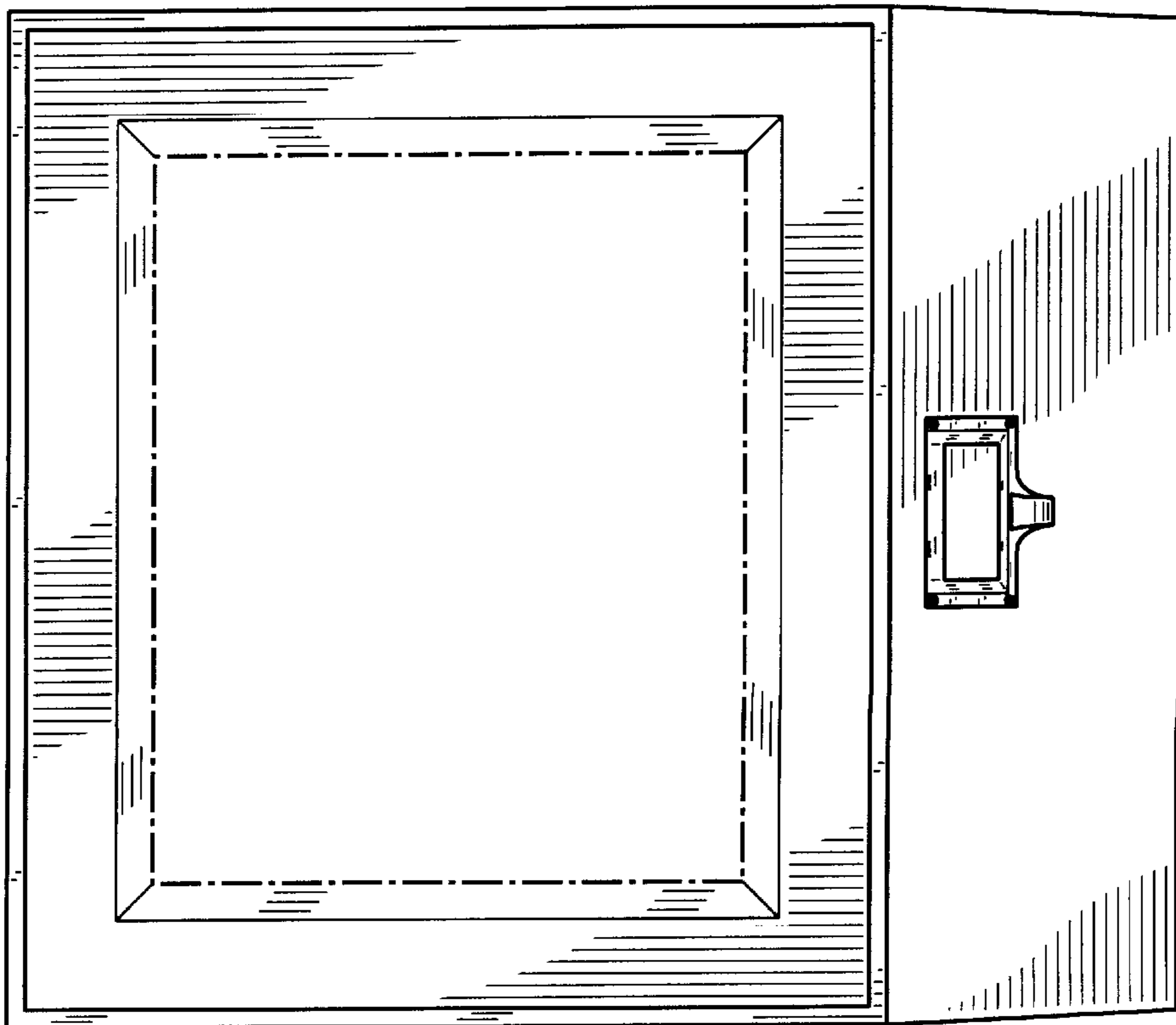
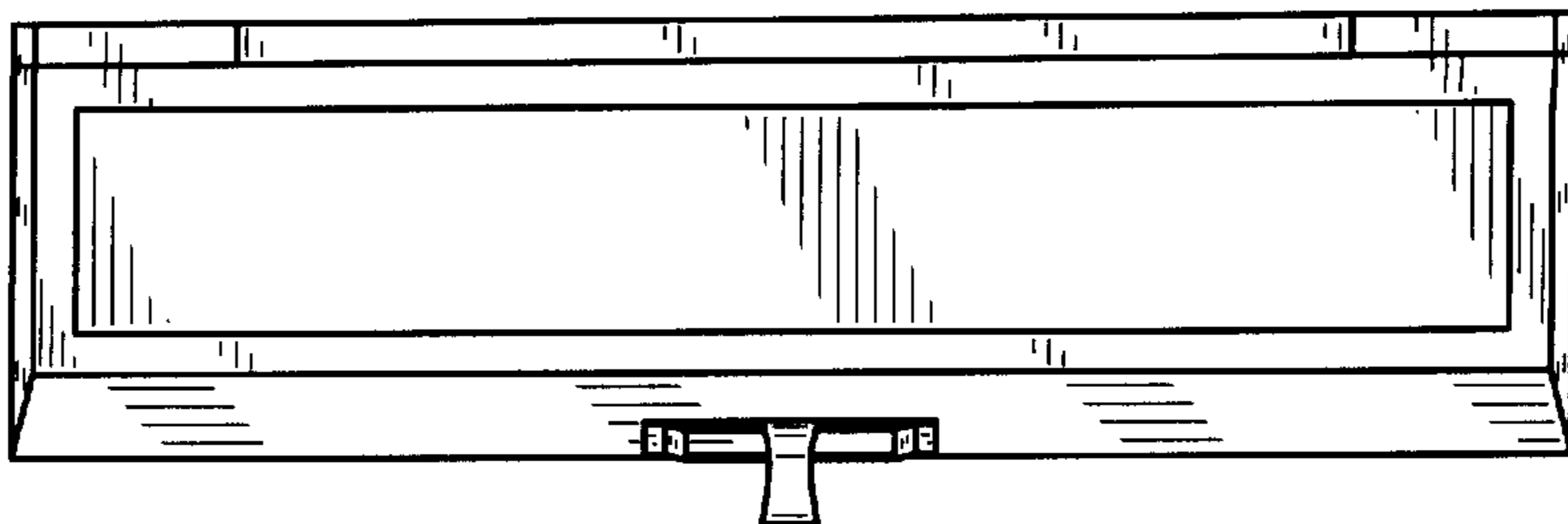
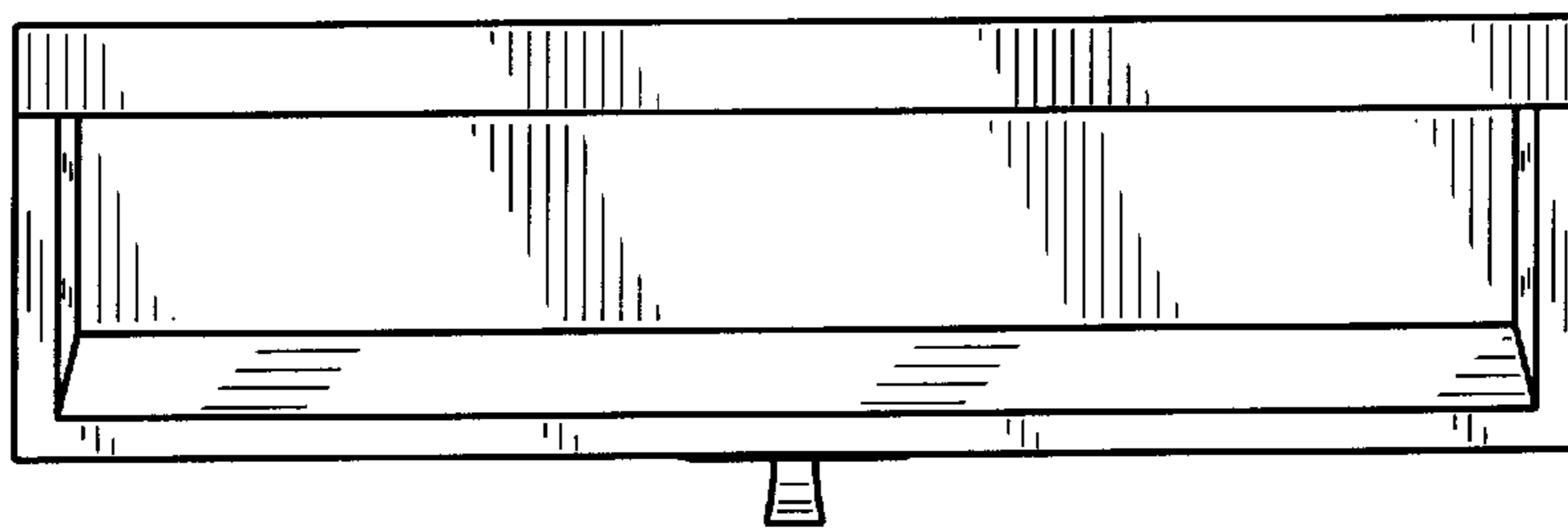
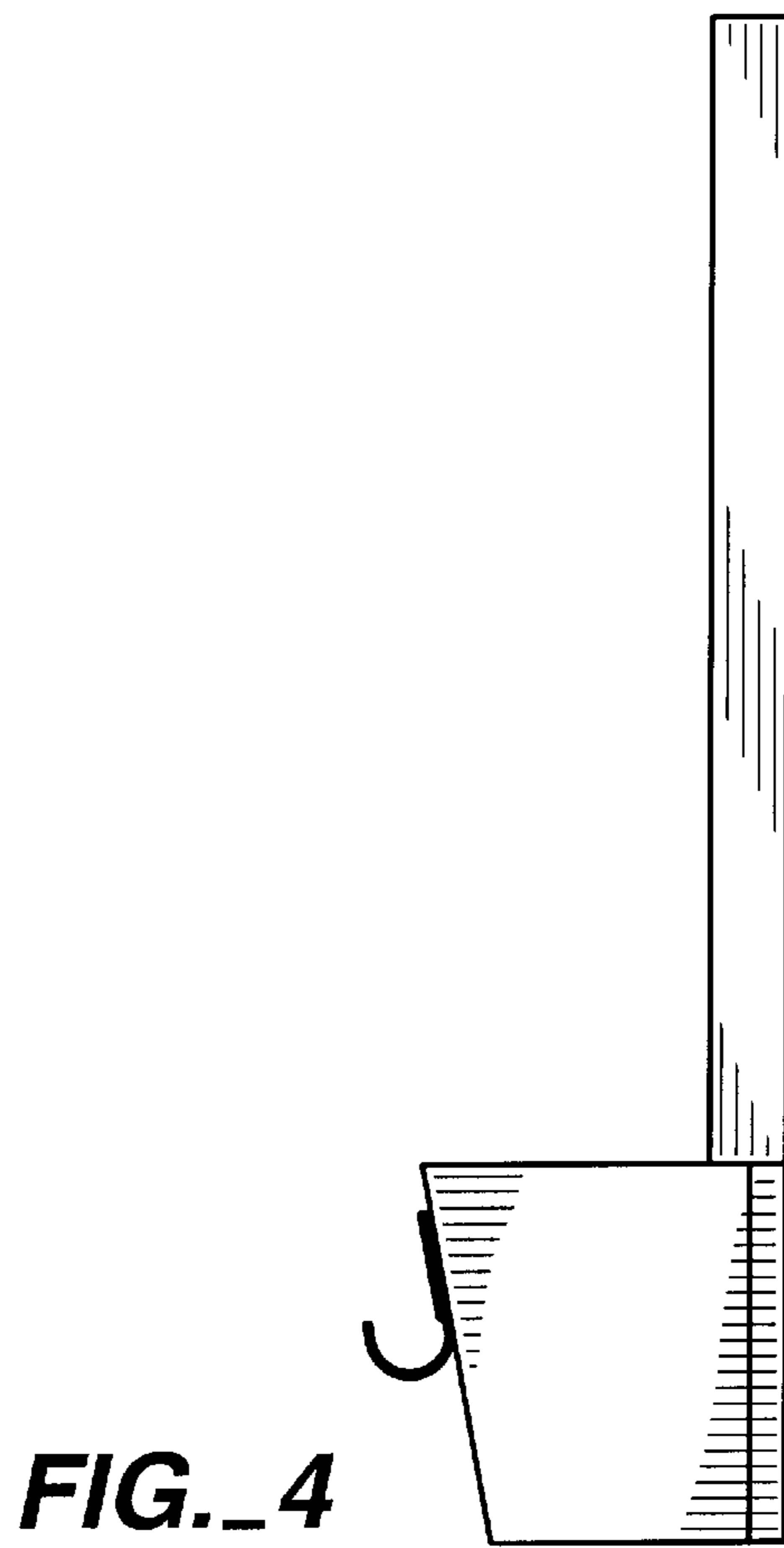


FIG. 3



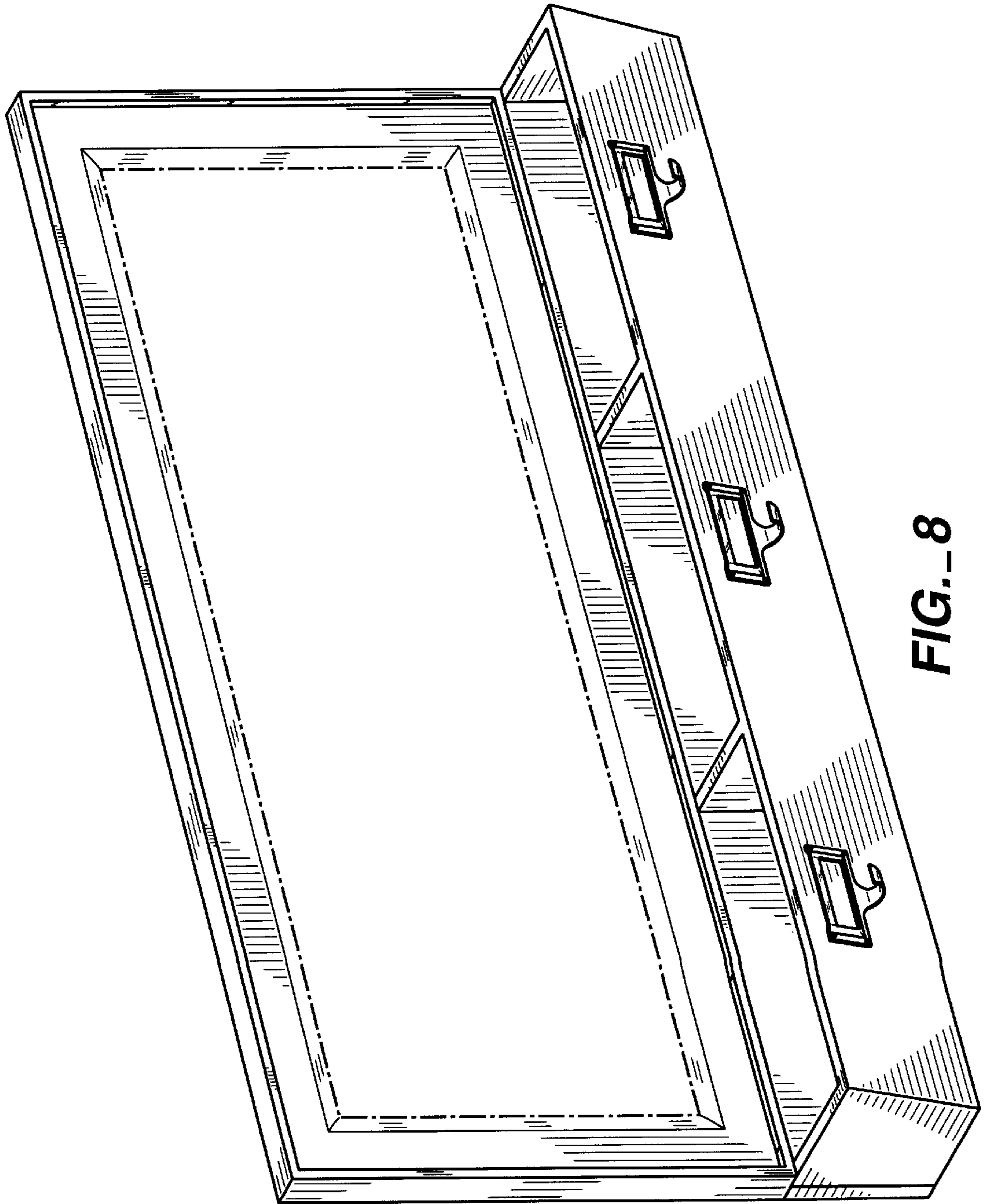


FIG. 8

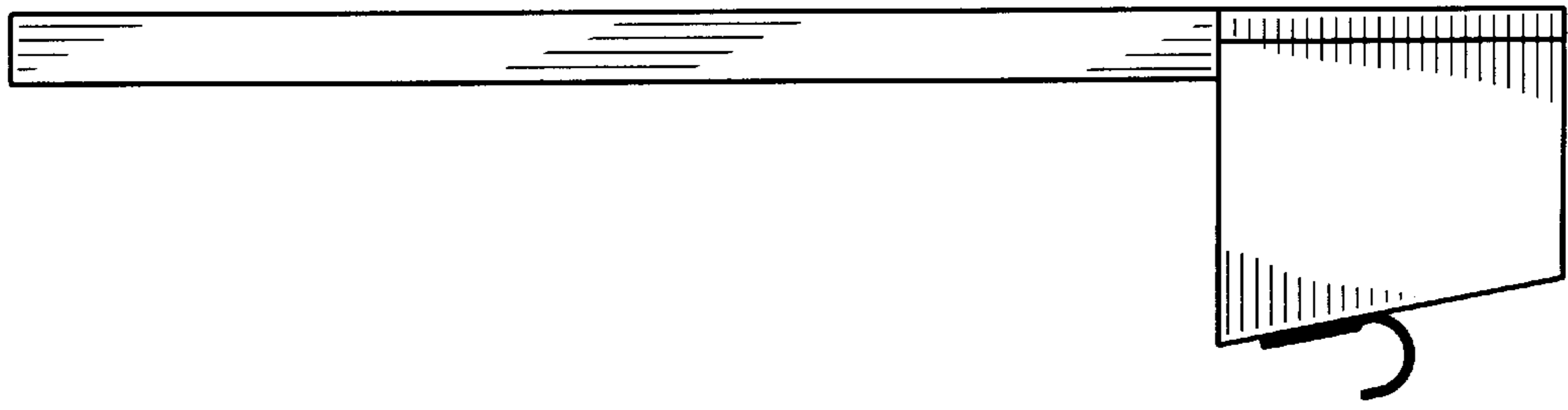


FIG. 11

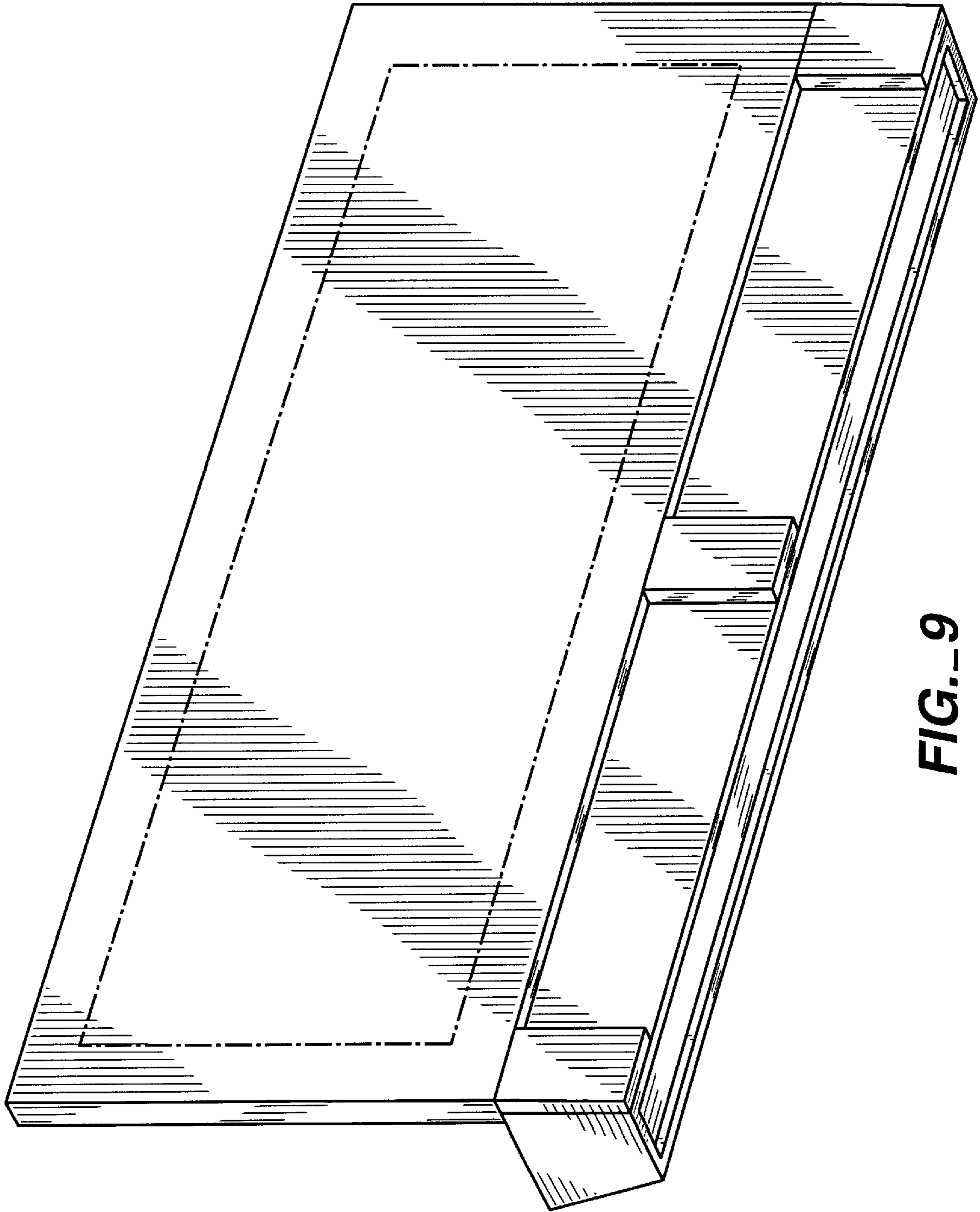


FIG. 9

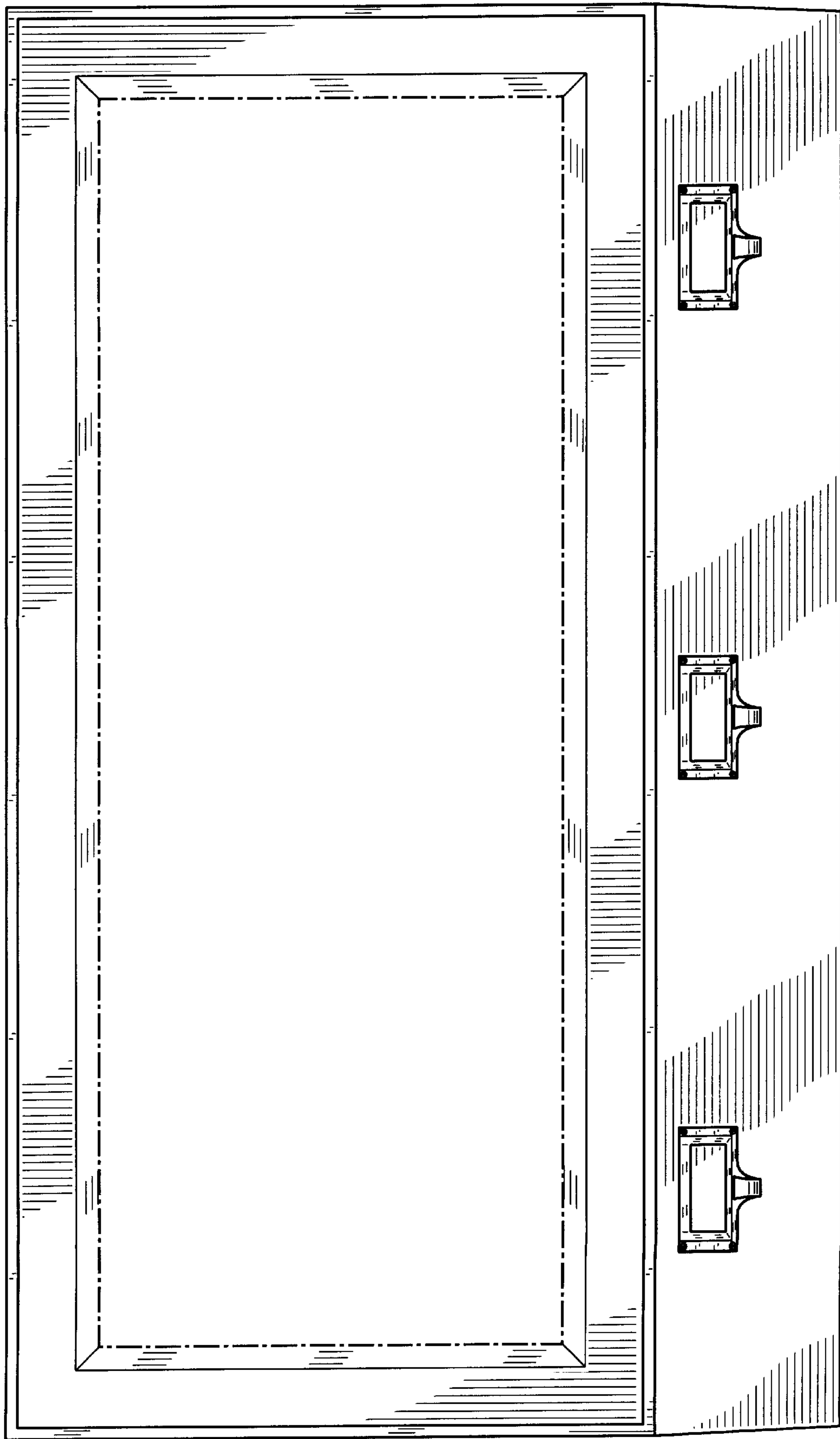


FIG. 10

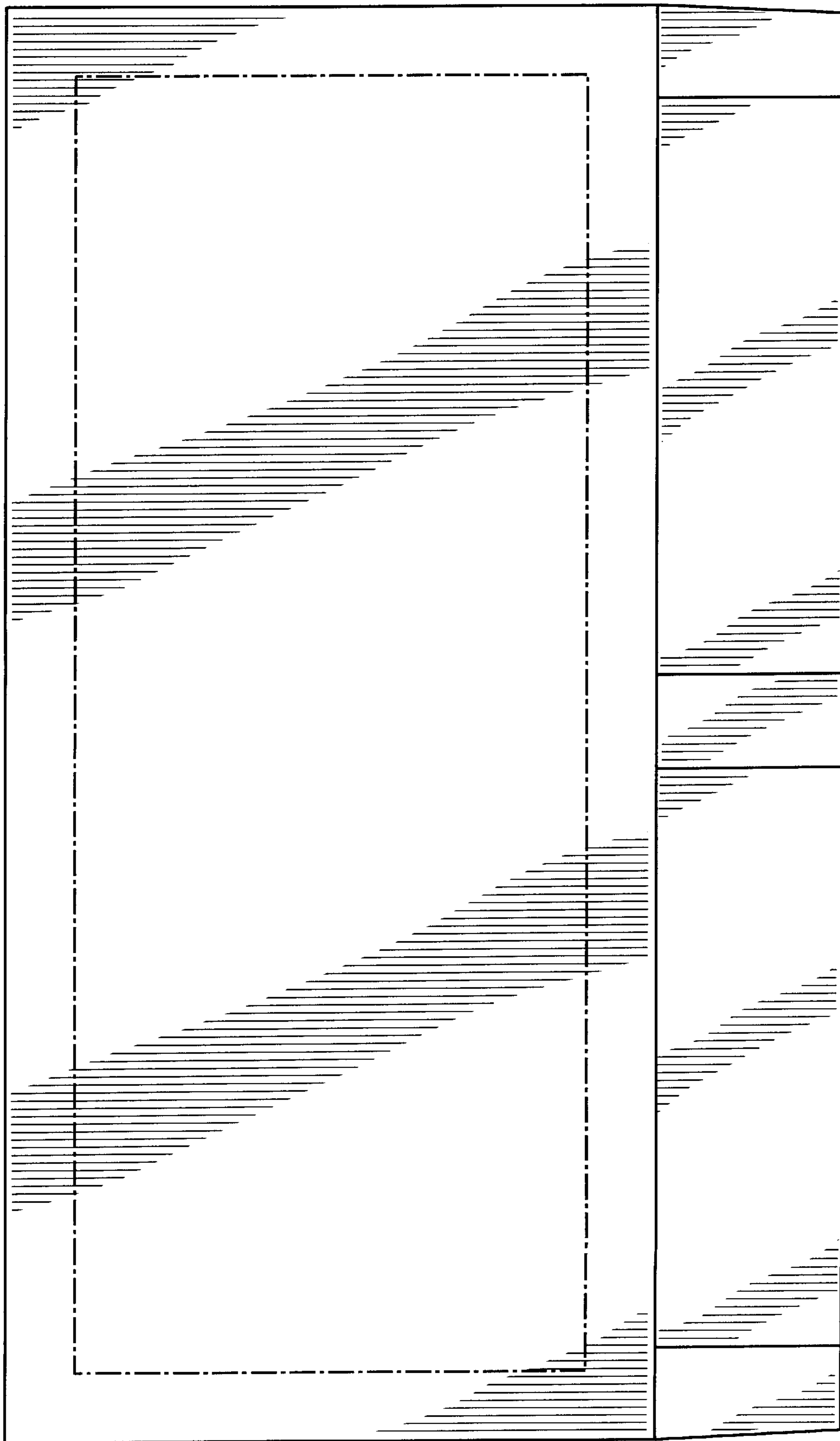


FIG. 12

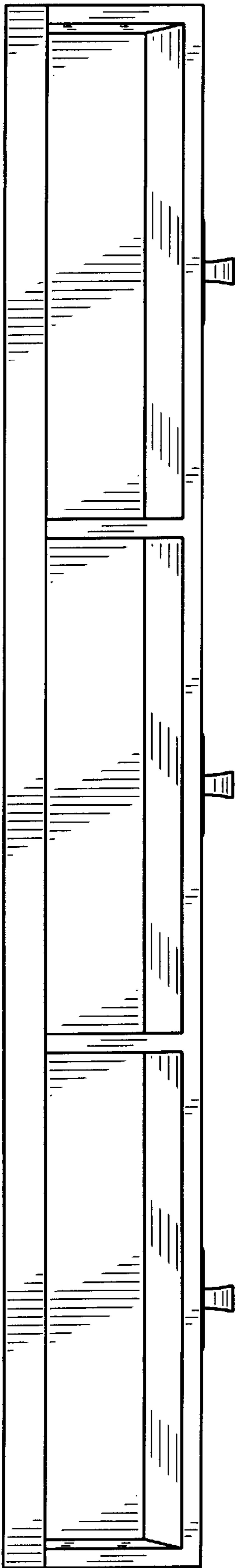


FIG. 13

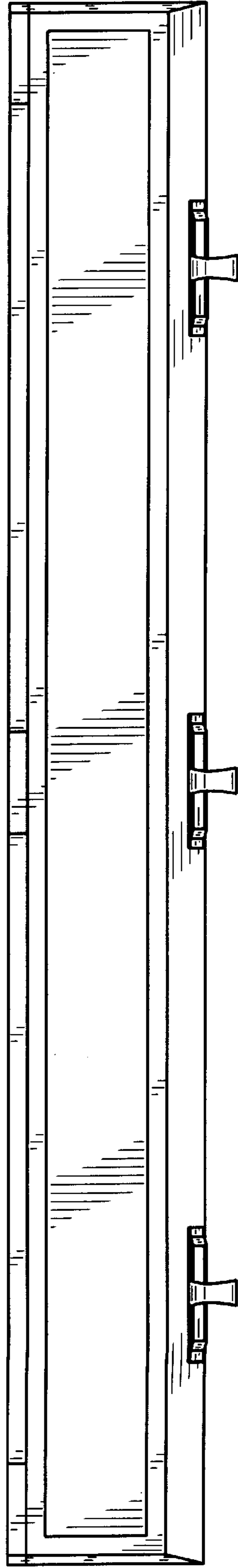


FIG. 14