



US00D437165S

(12) **United States Design Patent**
Goodman et al.

(10) **Patent No.:** **US D437,165 S**

(45) **Date of Patent:** **** Feb. 6, 2001**

(54) **SPICE RACK**

(75) Inventors: **Sheldon H. Goodman**, 30905 Stratford, Solon, OH (US) 44139; **Brian Stelmarski**, Mayfield Heights, OH (US)

(73) Assignee: **Sheldon H. Goodman**, Solon, OH (US)

(**) Term: **14 Years**

(21) Appl. No.: **29/119,921**

(22) Filed: **Mar. 10, 2000**

(51) **LOC (7) Cl.** **06-04**

(52) **U.S. Cl.** **D6/566; D7/704**

(58) **Field of Search** D6/566, 552, 553, D6/567; D7/704; 211/10, 13.1, 71, 74, 75, 85.4, 86, 87, 88, 90, 126.1, 134, 181.1

(56) **References Cited**

U.S. PATENT DOCUMENTS

- D. 167,341 * 7/1952 Ferguson D6/566
- D. 285,156 * 8/1986 Chap D6/566

- D. 397,898 * 9/1998 Walters-Dowding et al. D6/574
- D. 429,435 * 8/2000 Walters-Dowding et al. D6/566

* cited by examiner

Primary Examiner—Brian N. Vinson

(74) *Attorney, Agent, or Firm*—Pearne & Gordon LLP

(57) **CLAIM**

The ornamental design for a spice rack, as shown and described.

DESCRIPTION

FIG. 1 is a top, front and side perspective view of a spice rack showing our new design;

FIG. 2 is a front elevational view thereof;

FIG. 3 is a rear elevational view thereof;

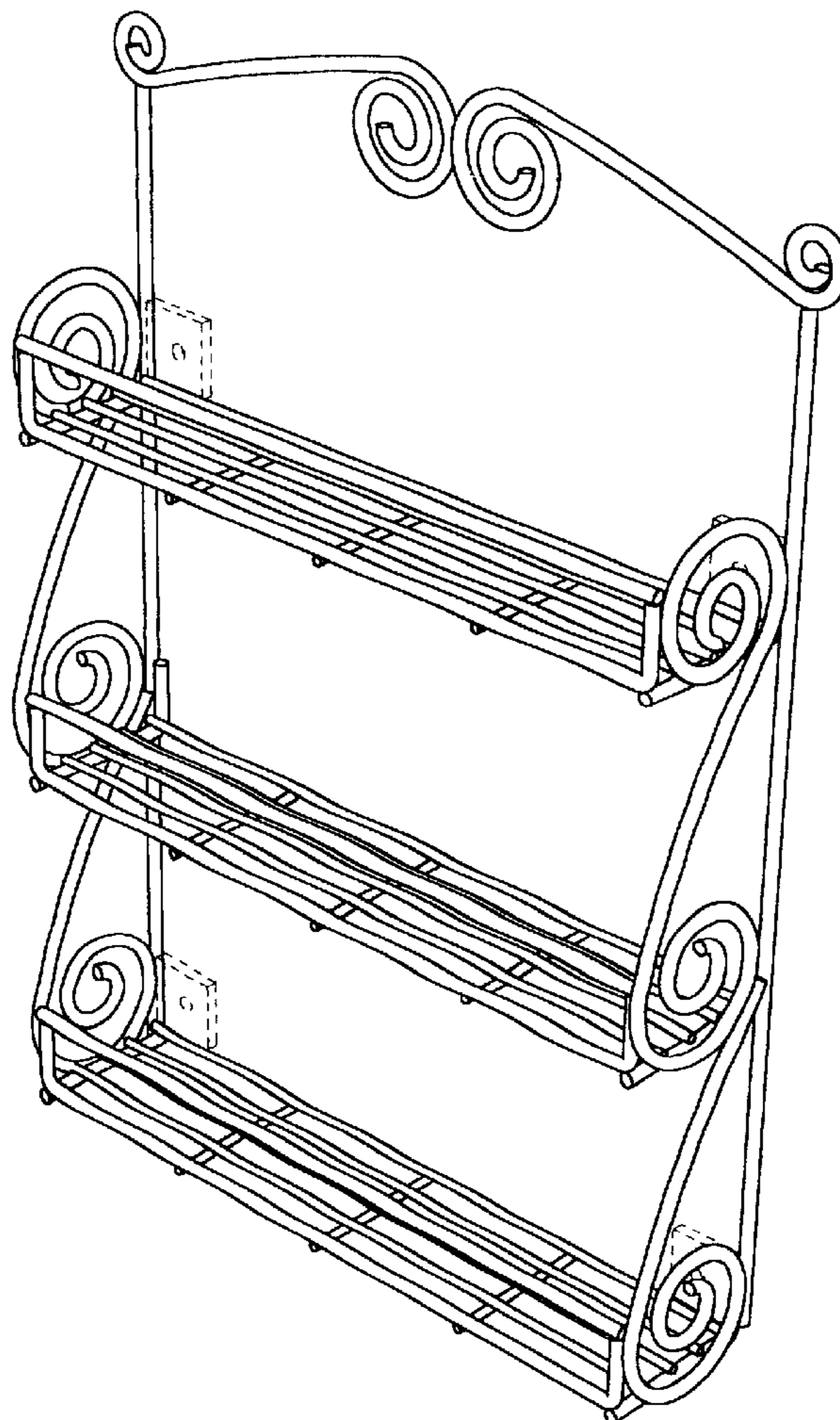
FIG. 4 is a side elevational view thereof;

FIG. 5 is a top plan view thereof; and,

FIG. 6 is a bottom plan view thereof.

The broken-line disclosure of elements in the views is for illustrative purposes only and forms no part of the claimed design.

1 Claim, 2 Drawing Sheets



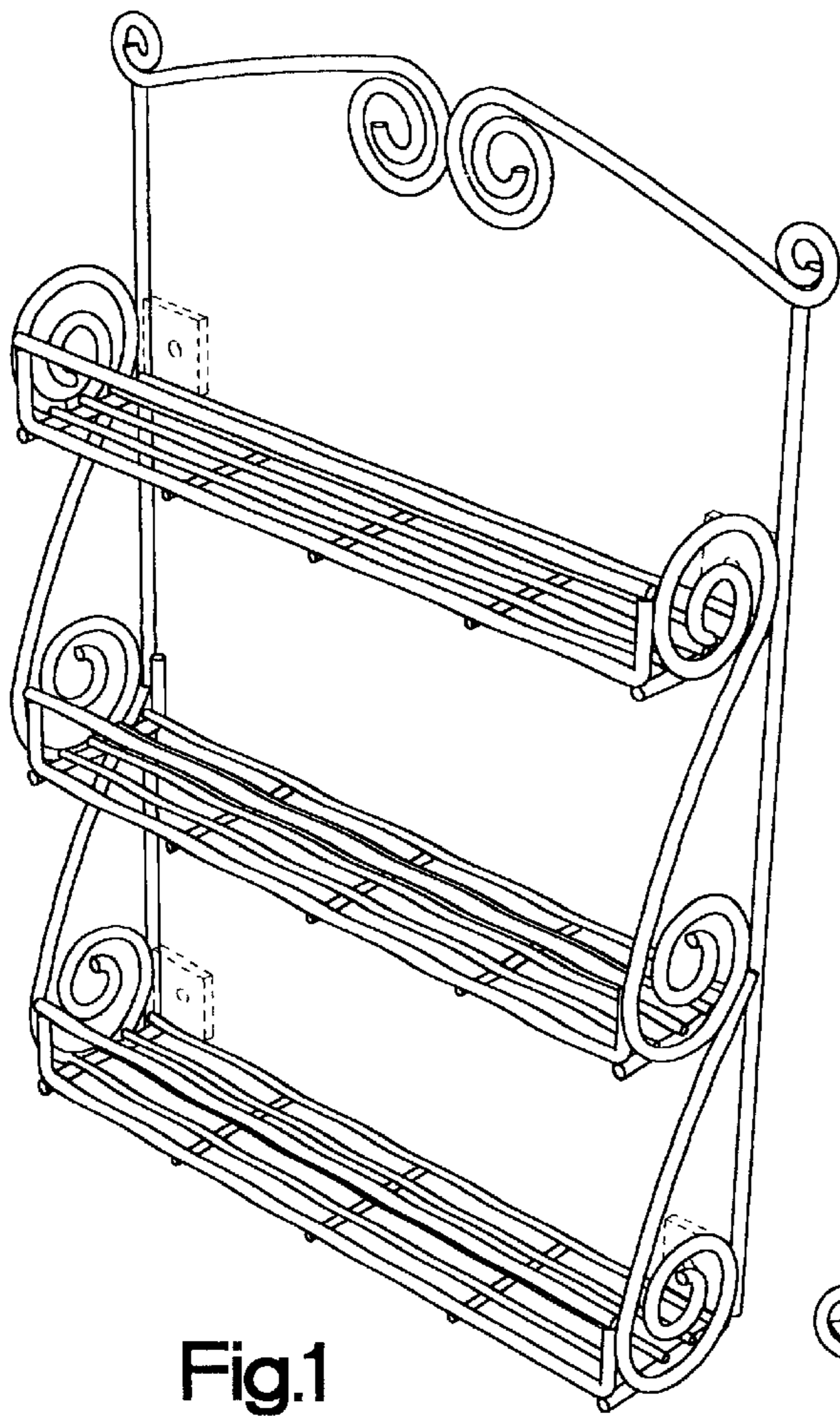


Fig.1

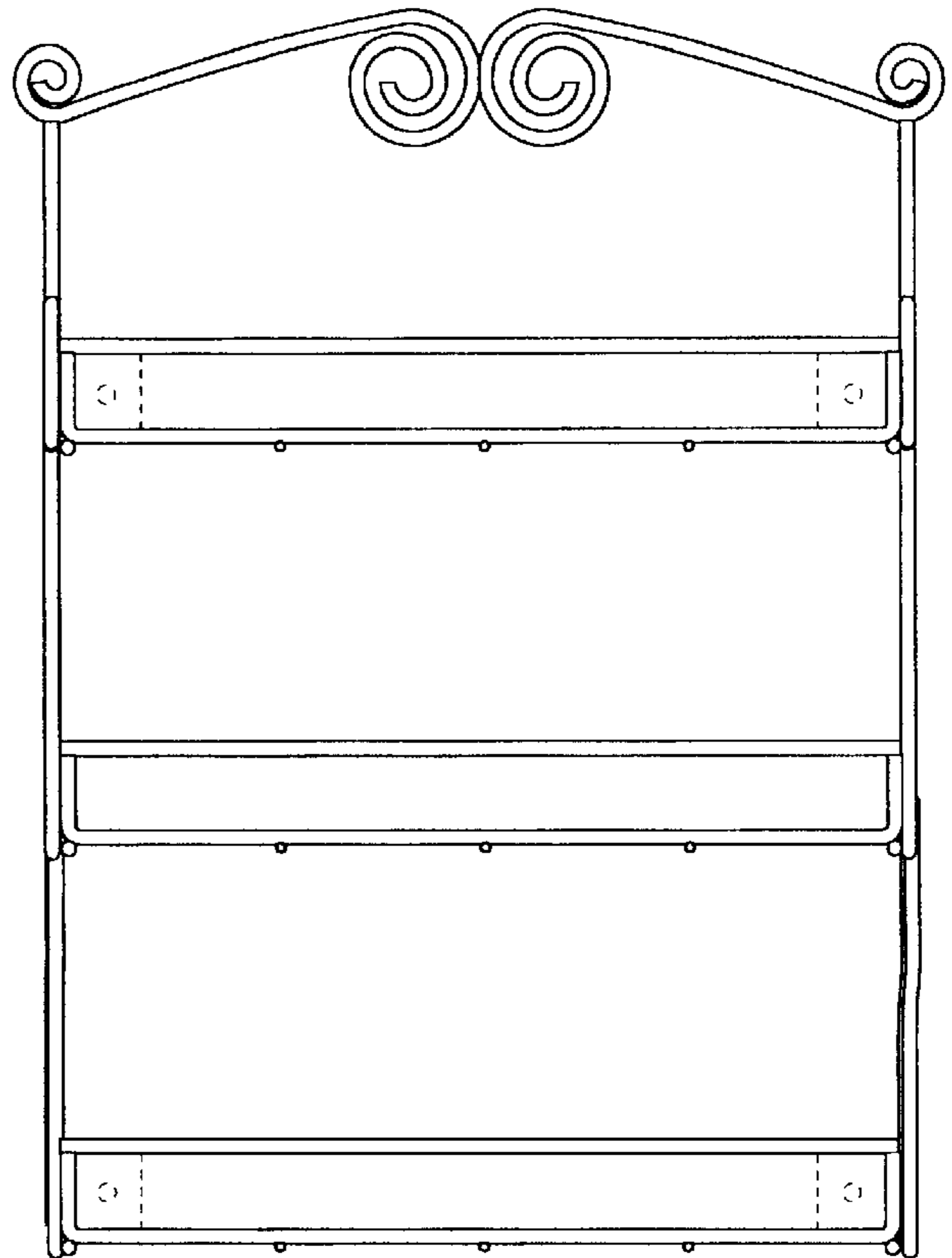


Fig.2

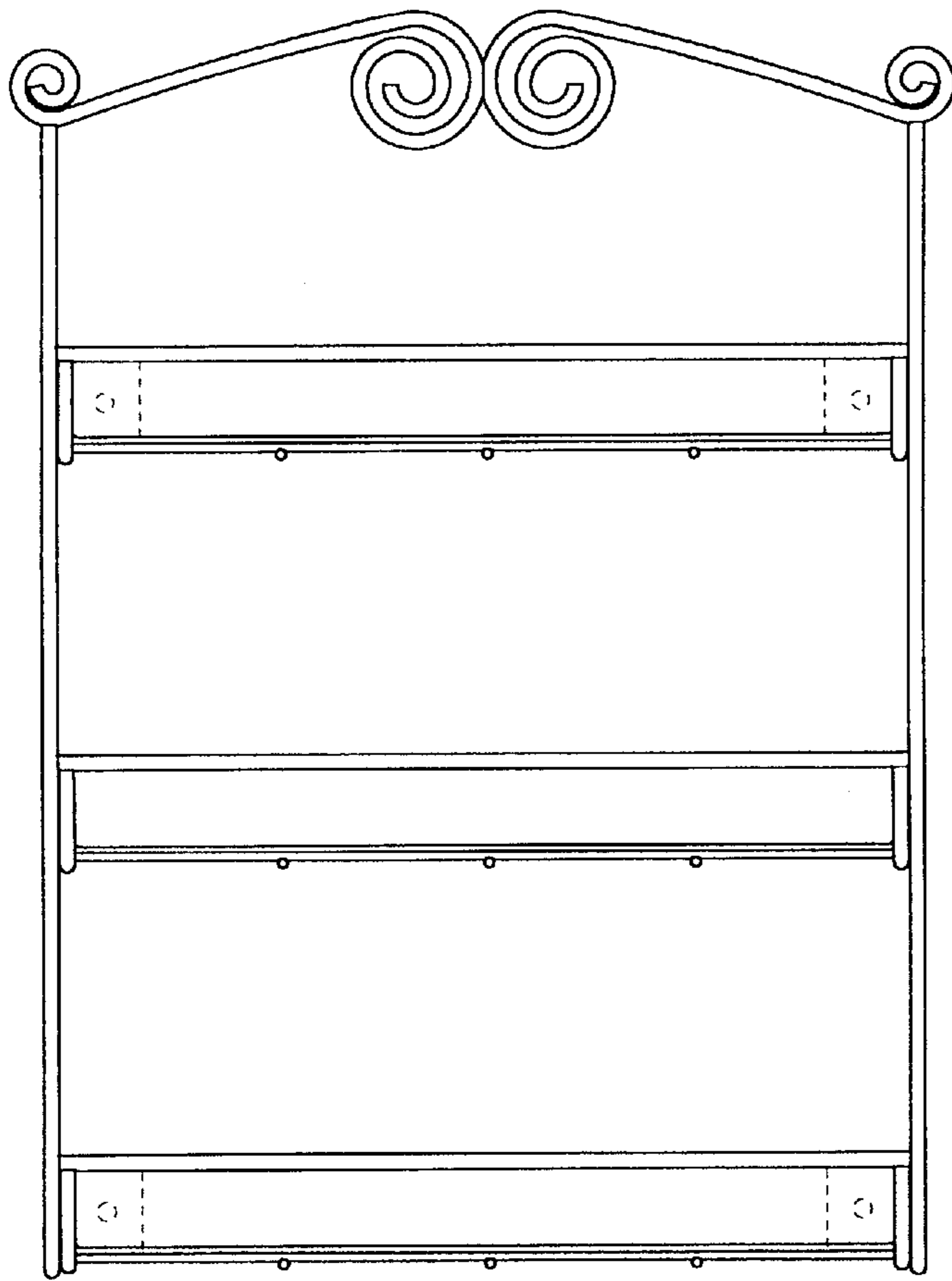


Fig.3

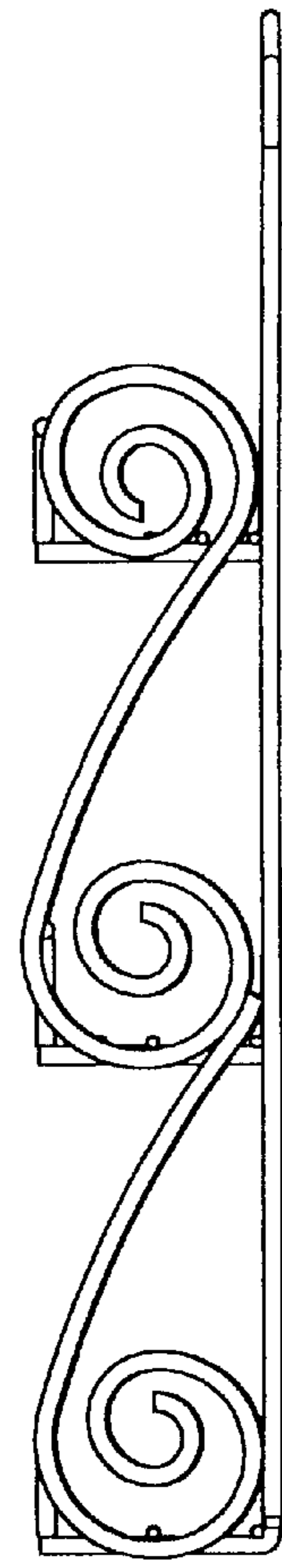


Fig.4

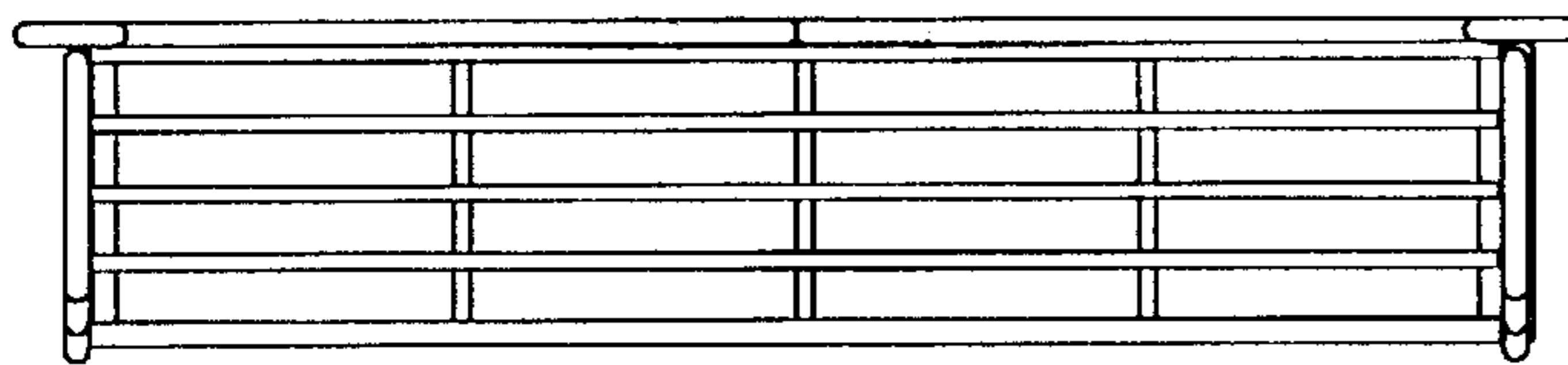


Fig.5

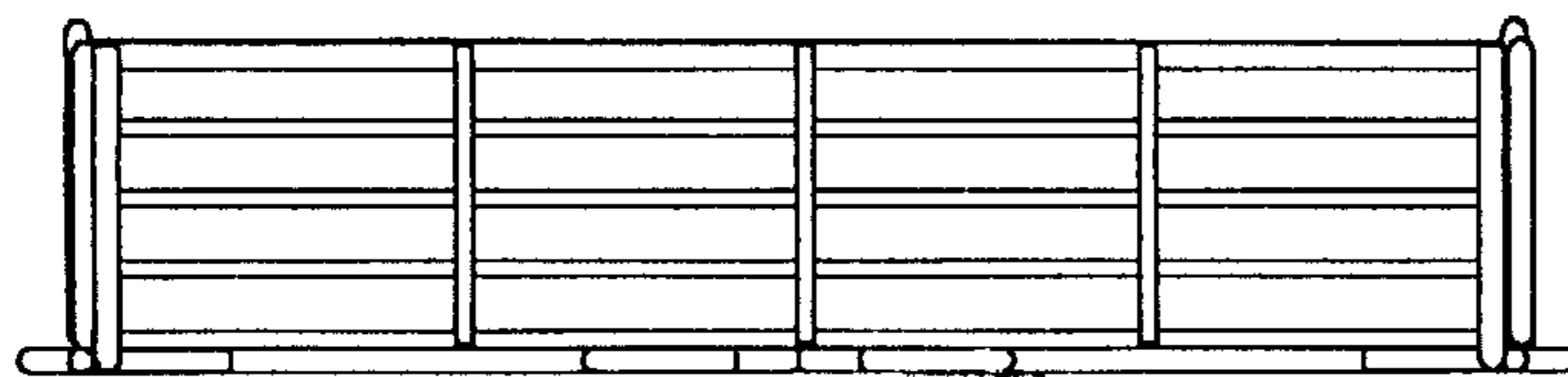


Fig.6

UNITED STATES PATENT AND TRADEMARK OFFICE
CERTIFICATE OF CORRECTION

PATENT NO. : Des 437,165 S
DATED : February 6, 2001
INVENTOR(S) : Sheldon H. Goodman et al.

Page 1 of 1

It is certified that error appears in the above-identified patent and that said Letters Patent is hereby corrected as shown below:

Drawings.

FIG. 1, the linear rod members forming the shelf between the scroll end members should be shown to have a non-linear wavy appearance.

See FIG. 1 below.

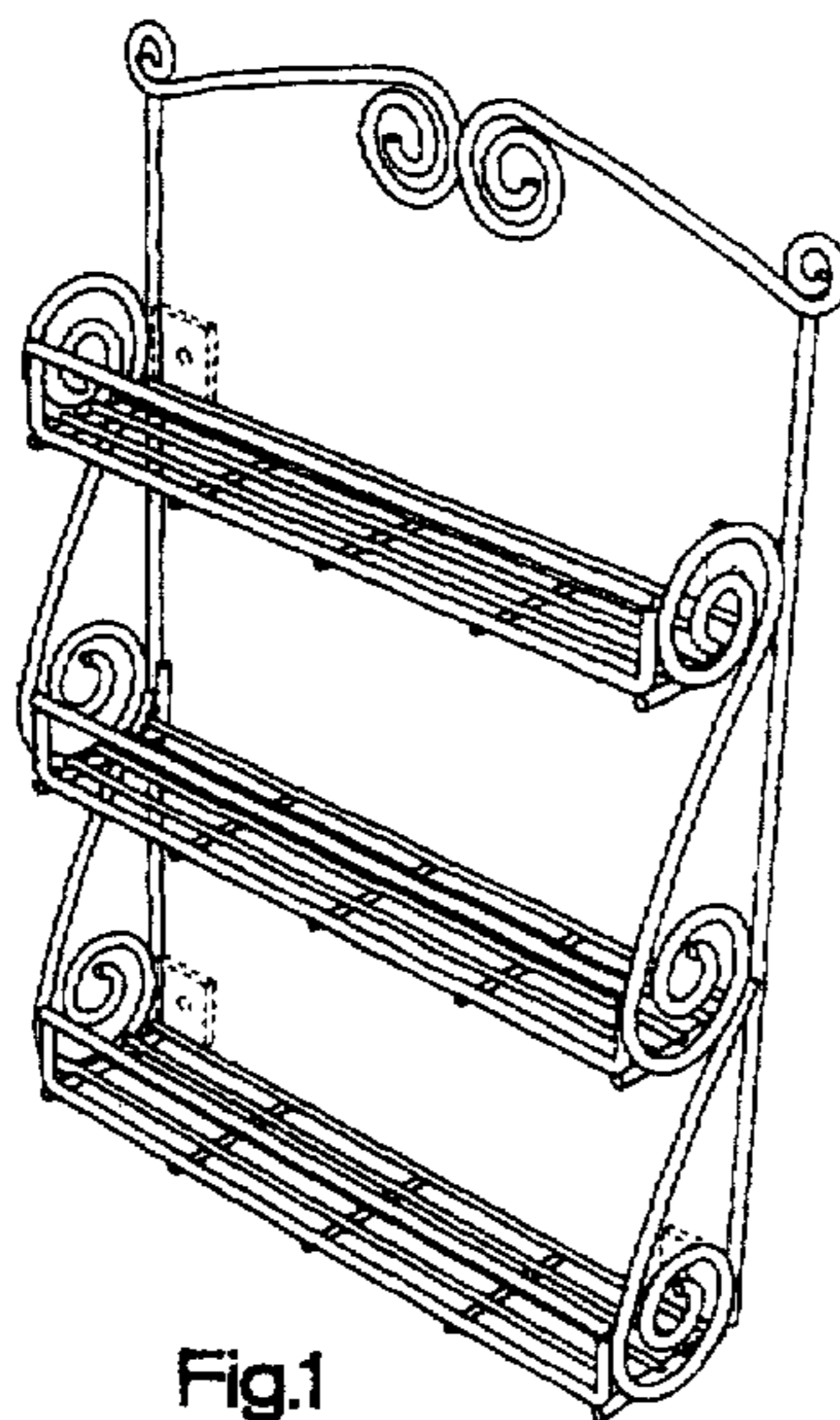


Fig.1

Signed and Sealed this

Nineteenth Day of March, 2002

Attest:

Attesting Officer

JAMES E. ROGAN
Director of the United States Patent and Trademark Office

UNITED STATES PATENT AND TRADEMARK OFFICE
CERTIFICATE OF CORRECTION

PATENT NO. : Des 437,165 S
DATED : February 6, 2001
INVENTOR(S) : Sheldon H. Goodman et al.

Page 1 of 1

It is certified that error appears in the above-identified patent and that said Letters Patent is hereby corrected as shown below:

Drawings,

FIG. 1, the linear rod members forming the shelf between the scroll end members should be shown to have a linear appearance and not a wavy appearance.

See FIG. 1 below.

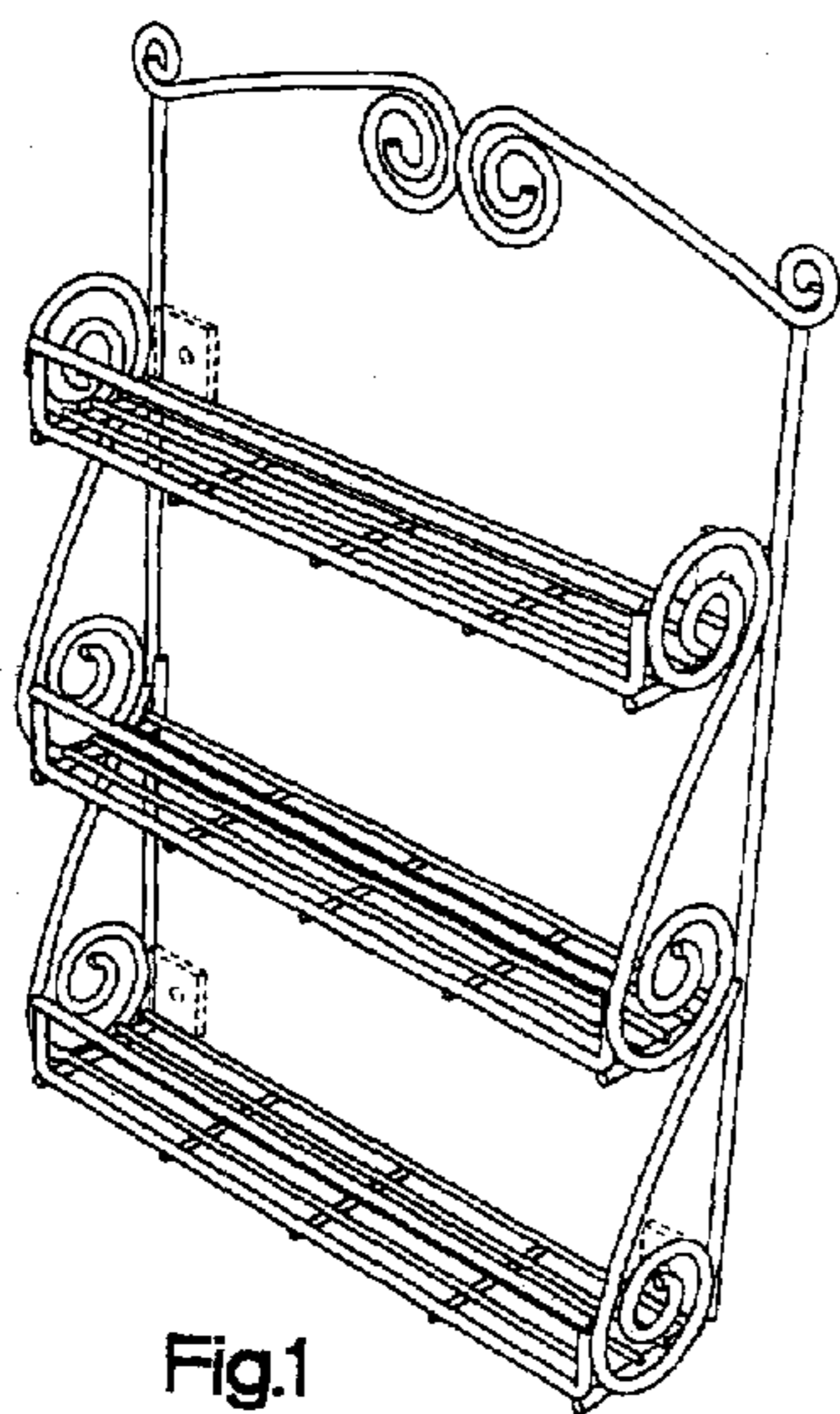


Fig.1

This certificate supersedes Certificate of Correction issued March 19, 2002

Signed and Sealed this

Twenty-fifth Day of June, 2002

Attest:

Attesting Officer

JAMES E. ROGAN
Director of the United States Patent and Trademark Office