



US00D437157S

(12) **United States Design Patent**
Gastelum et al.

(10) **Patent No.:** **US D437,157 S**

(45) **Date of Patent:** **** Feb. 6, 2001**

(54) **TISSUE HOLDER**

(75) Inventors: **Jose Gastelum**, Verona; **Leszek Solowiej**, Montville, both of NJ (US)

(73) Assignee: **Melard Manufacturing Corp.**, Passaic, NJ (US)

(**) Term: **14 Years**

(21) Appl. No.: **29/118,470**

(22) Filed: **Feb. 9, 2000**

(51) **LOC (7) Cl.** **23-02**

(52) **U.S. Cl.** **D6/523**

(58) **Field of Search** D6/518, 519, 522, D6/523, 546, 547, 549; 206/389; 211/13.1, 16, 86, 87, 181.1, 182; 242/570, 590, 595, 596, 597, 598; 248/251, 302, 309.1

(56) **References Cited**

U.S. PATENT DOCUMENTS

D. 179,083 * 10/1956 Hurwitz D6/546

D. 253,380 * 11/1979 Pittenger D6/549

D. 334,315 * 3/1993 Bengston D6/549

2,315,566 * 4/1943 Watral et al. D6/549 X

2,893,676 * 7/1959 Connors et al. D6/546 X

* cited by examiner

Primary Examiner—Brian N. Vinson

(74) *Attorney, Agent, or Firm*—Edgar A. Zarins; Lloyd D. Doigan

(57) **CLAIM**

The ornamental design for a tissue holder, as shown and described.

DESCRIPTION

FIG. 1 is a perspective view of a tissue holder showing our design;

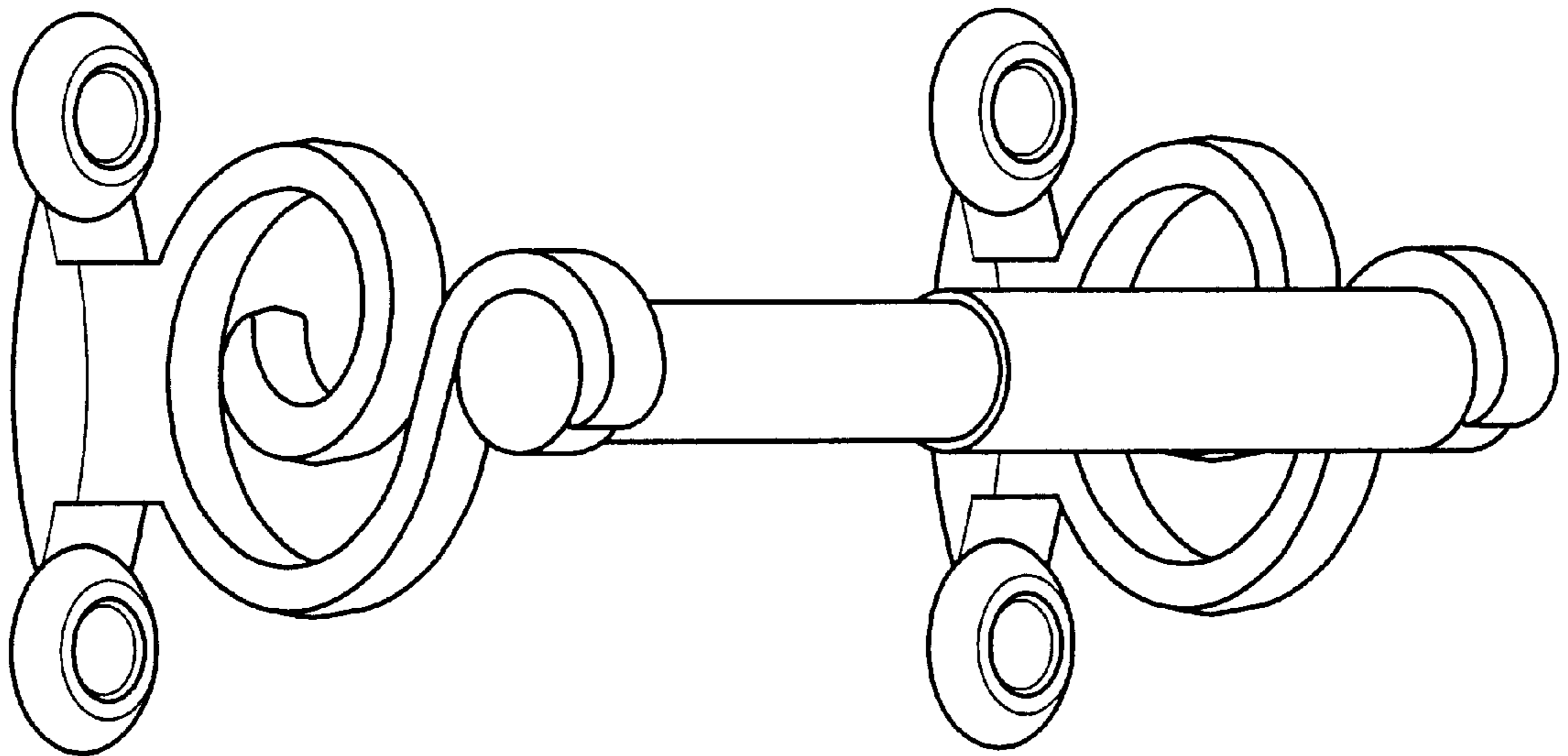
FIG. 2 is a front elevation thereof;

FIG. 3 is a right side view thereof, the opposite side being a mirror image of the side shown;

FIG. 4 is top plan view thereof; and,

FIG. 5 is a bottom plan view thereof.

1 Claim, 2 Drawing Sheets



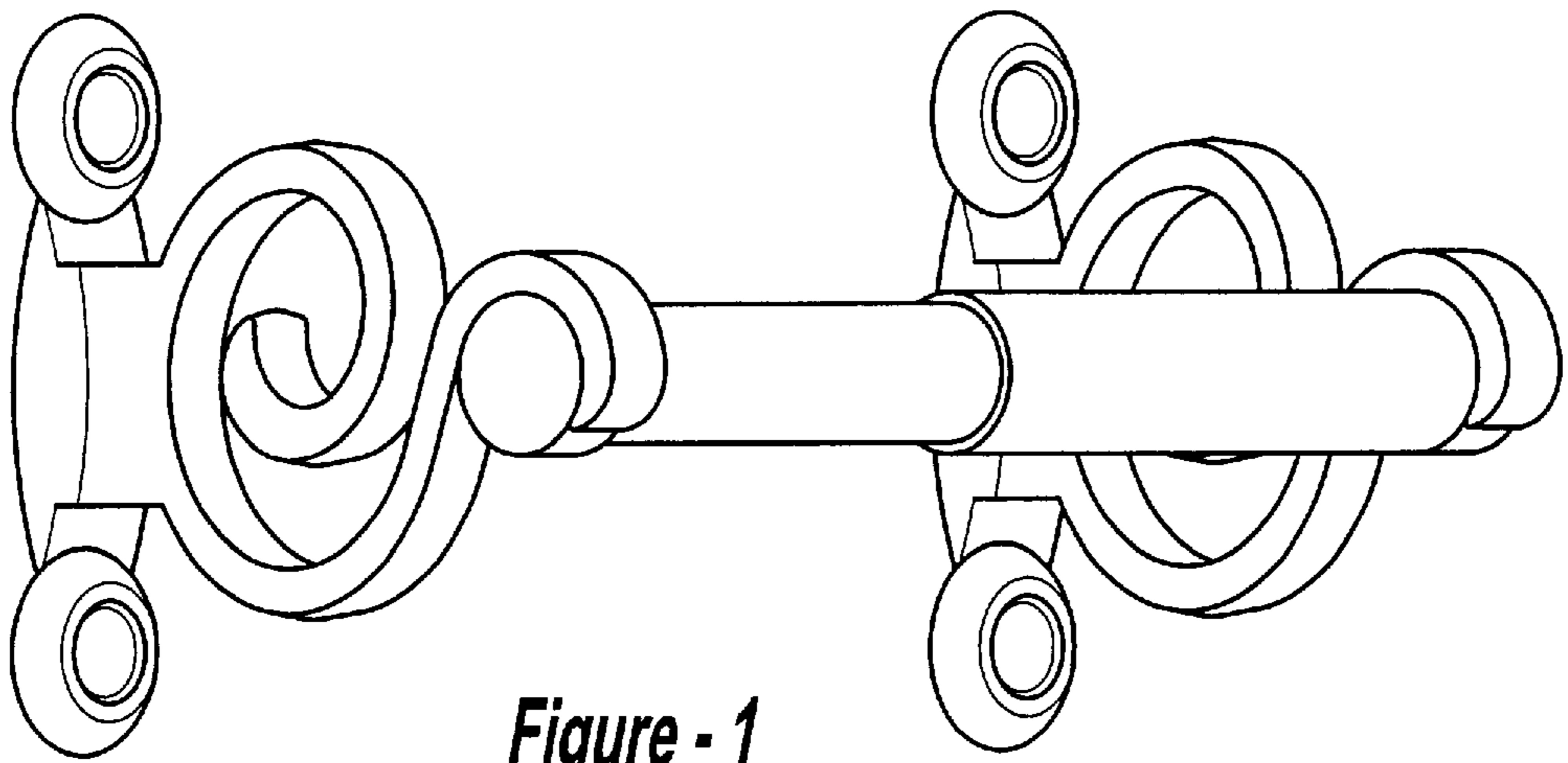


Figure - 1

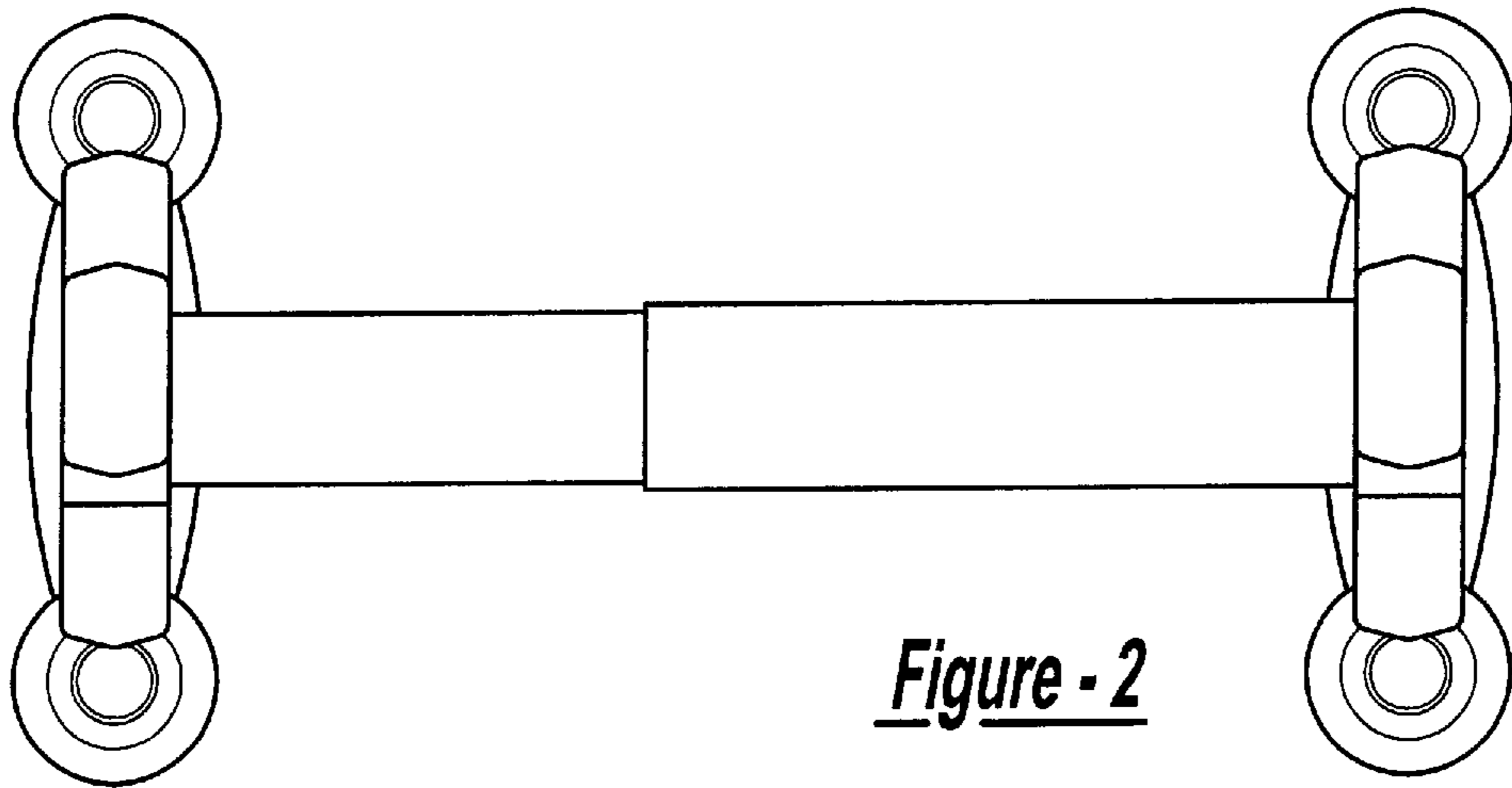


Figure - 2

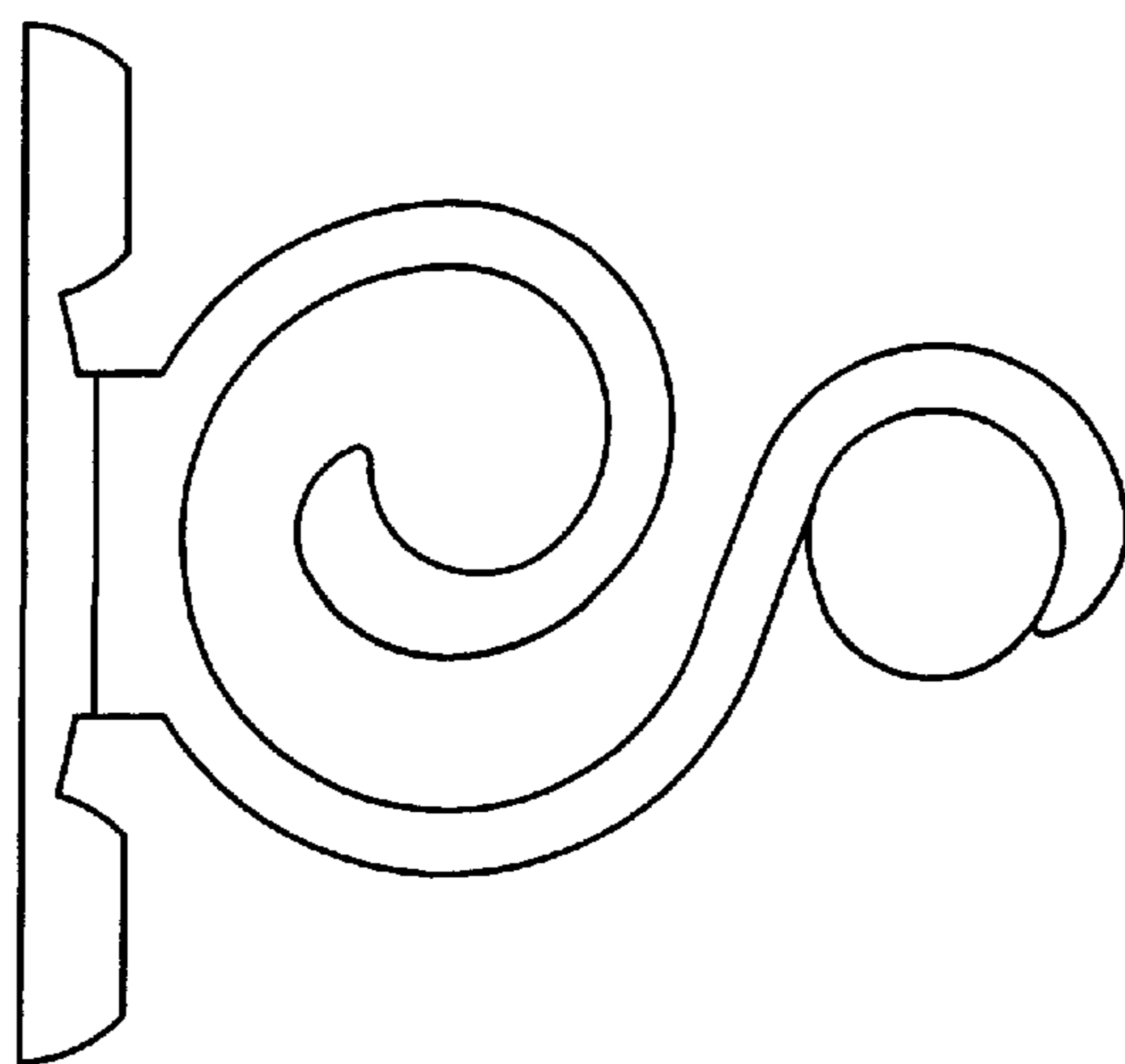


Figure - 3

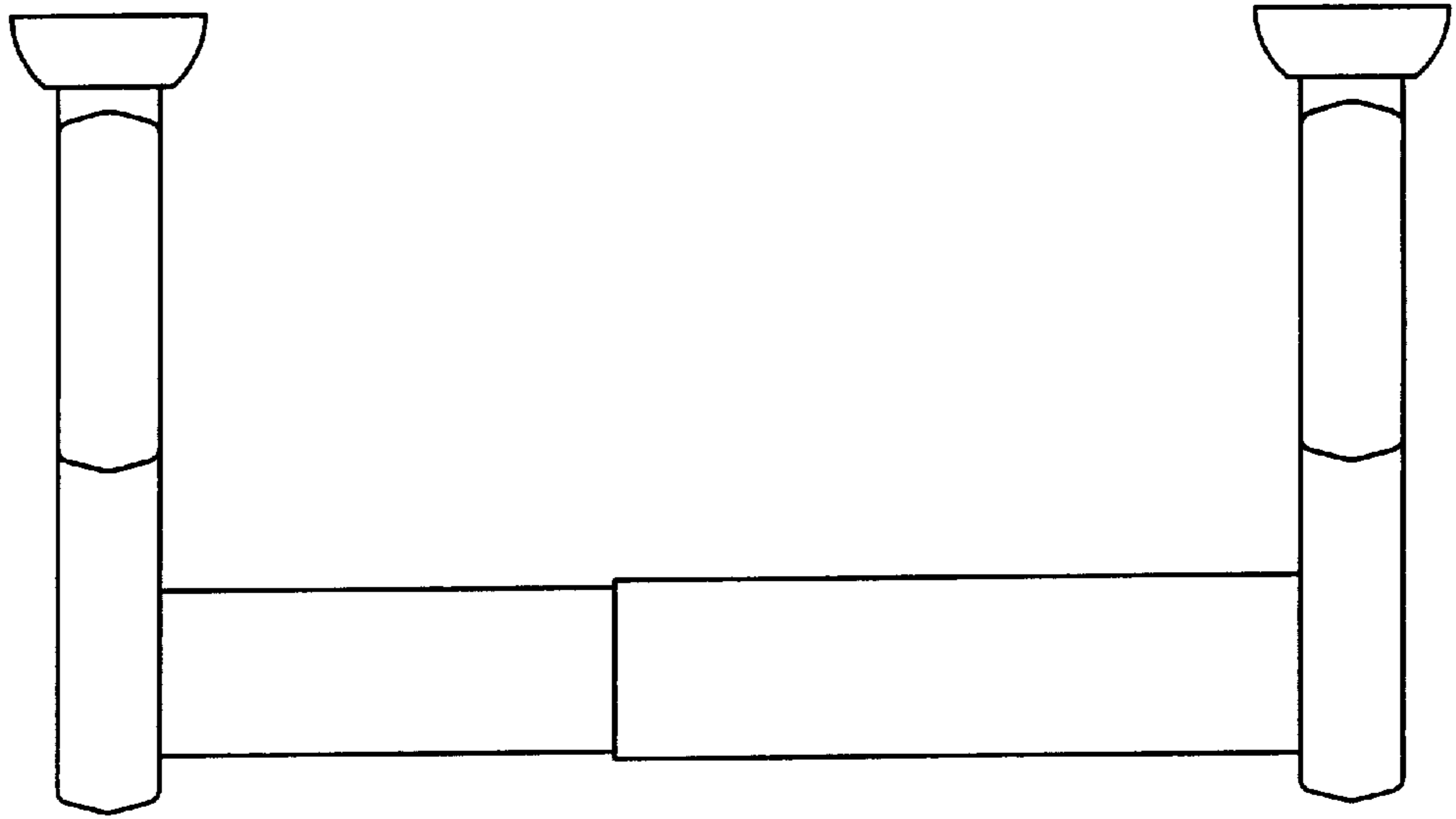


Figure - 4

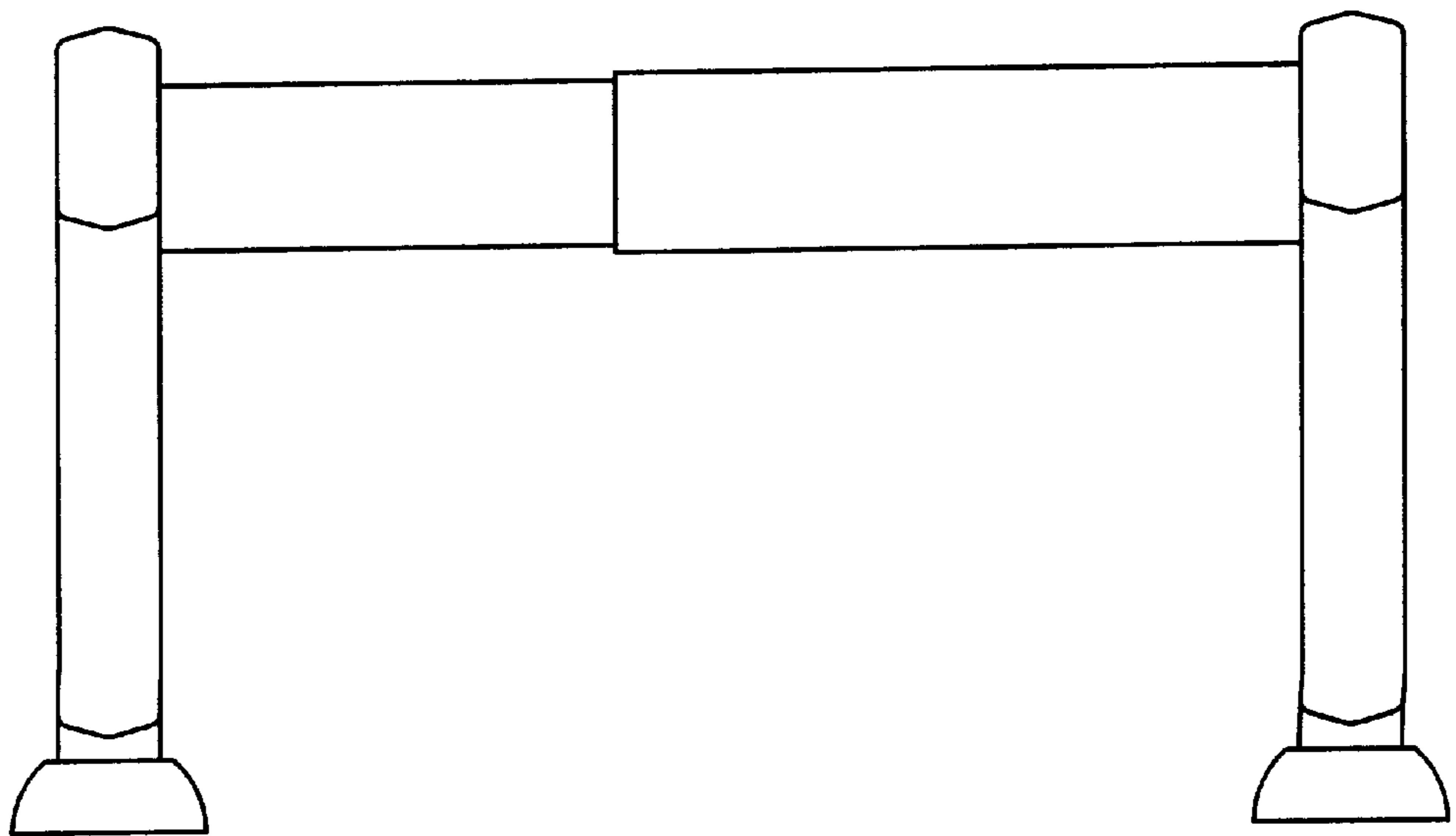


Figure - 5