



US00D437151S

(12) **United States Design Patent**
Gerstmar

(10) **Patent No.:** **US D437,151 S**

(45) **Date of Patent:** **** Feb. 6, 2001**

(54) **COMBINATION DISPENSER CONTAINER**

4,261,294 * 4/1981 Bescherer D6/571 X
5,913,433 * 6/1999 Belokin et al. 211/75 X

(75) Inventor: **Gail L. Gerstmar**, Tigard, OR (US)

* cited by examiner

(73) Assignee: **Caddy Company, LLC**, Tigard, OR (US)

Primary Examiner—Brian N. Vinson
(74) *Attorney, Agent, or Firm*—Kolisich Hartwell Dickinson McCormack & Heuser

(**) Term: **14 Years**

(57) **CLAIM**

(21) Appl. No.: **29/112,234**

The ornamental design for a combination dispenser container, as shown and described.

(22) Filed: **Oct. 8, 1999**

DESCRIPTION

(51) **LOC (7) Cl.** **06-04**

(52) **U.S. Cl.** **D6/449; D6/515; D7/590**

(58) **Field of Search** D6/512, 515, 449,
D6/571; D7/590, 592, 601, 602, 619, 637;
D9/455; D28/73, 99; D3/304; 206/557;
211/13.1, 71.01, 74, 75, 87.01; 221/282-284;
248/309.1, 311.2

FIG. 1 is an isometric view of a combination dispenser container showing my new design.

FIG. 2 is another isometric view showing a second embodiment thereof.

FIG. 3 is a top view of the first embodiment in FIG. 1.

FIG. 4 is a bottom view of the first embodiment in FIG. 1.

FIG. 5 is a left-side elevational view of the first embodiment in FIG. 1.

FIG. 6 is a right-side elevational view of the first embodiment in FIG. 1.

FIG. 7 is a front elevational view of the first embodiment in FIG. 1; and,

FIG. 8 is a rear elevational view of the first embodiment in FIG. 1.

The broken-line disclosure in the views is for illustrative purposes only and forms no part of the claimed design.

(56) **References Cited**

U.S. PATENT DOCUMENTS

- D. 241,905 * 10/1976 Epperson D7/590
- D. 323,766 * 2/1992 Robbins et al. D7/590
- D. 335,767 * 5/1993 Yates D6/567 X
- D. 336,219 * 6/1993 Held D7/590 X
- D. 393,105 * 3/1998 Wolff D28/73
- D. 396,133 * 7/1998 Stein D28/73

1 Claim, 2 Drawing Sheets

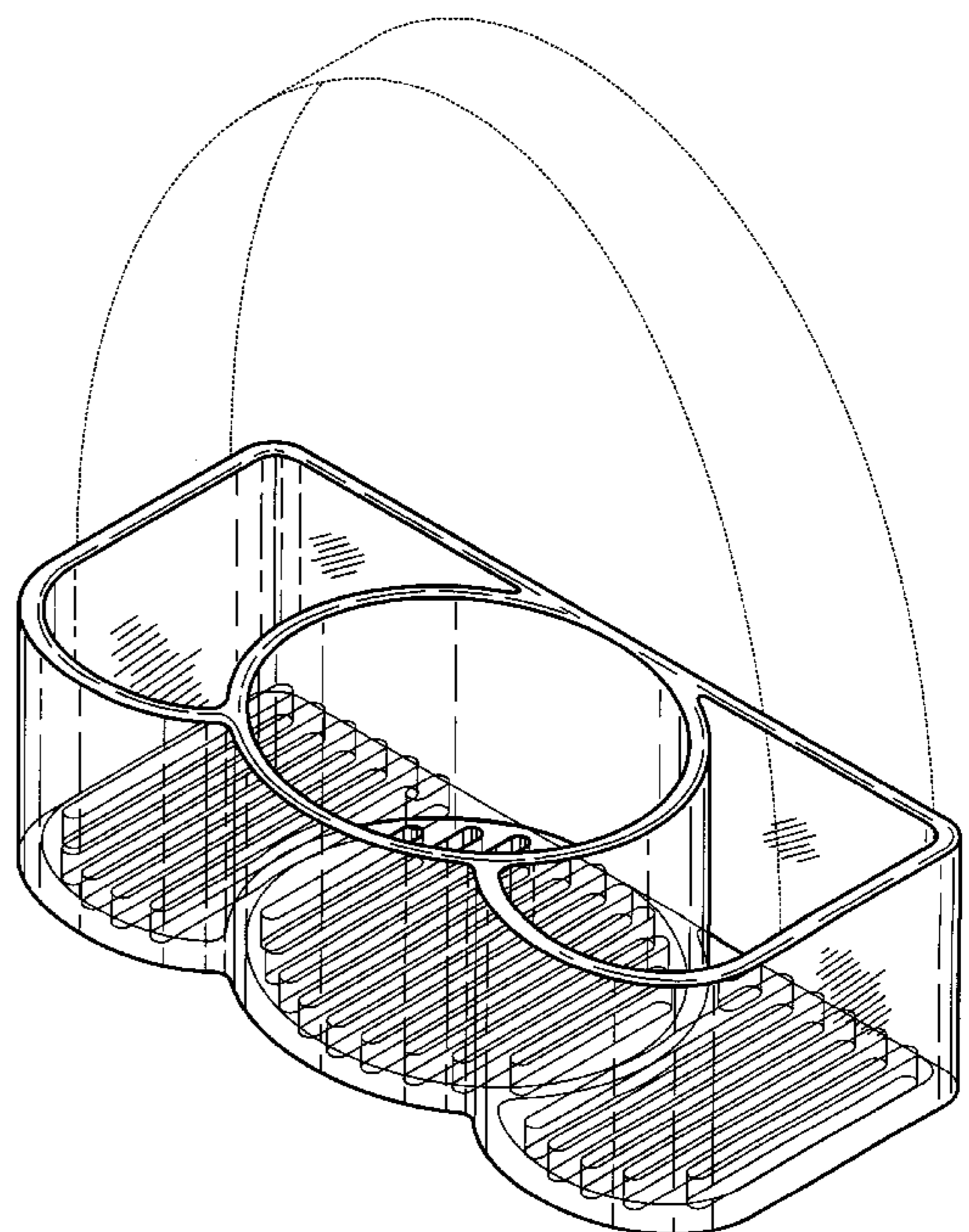
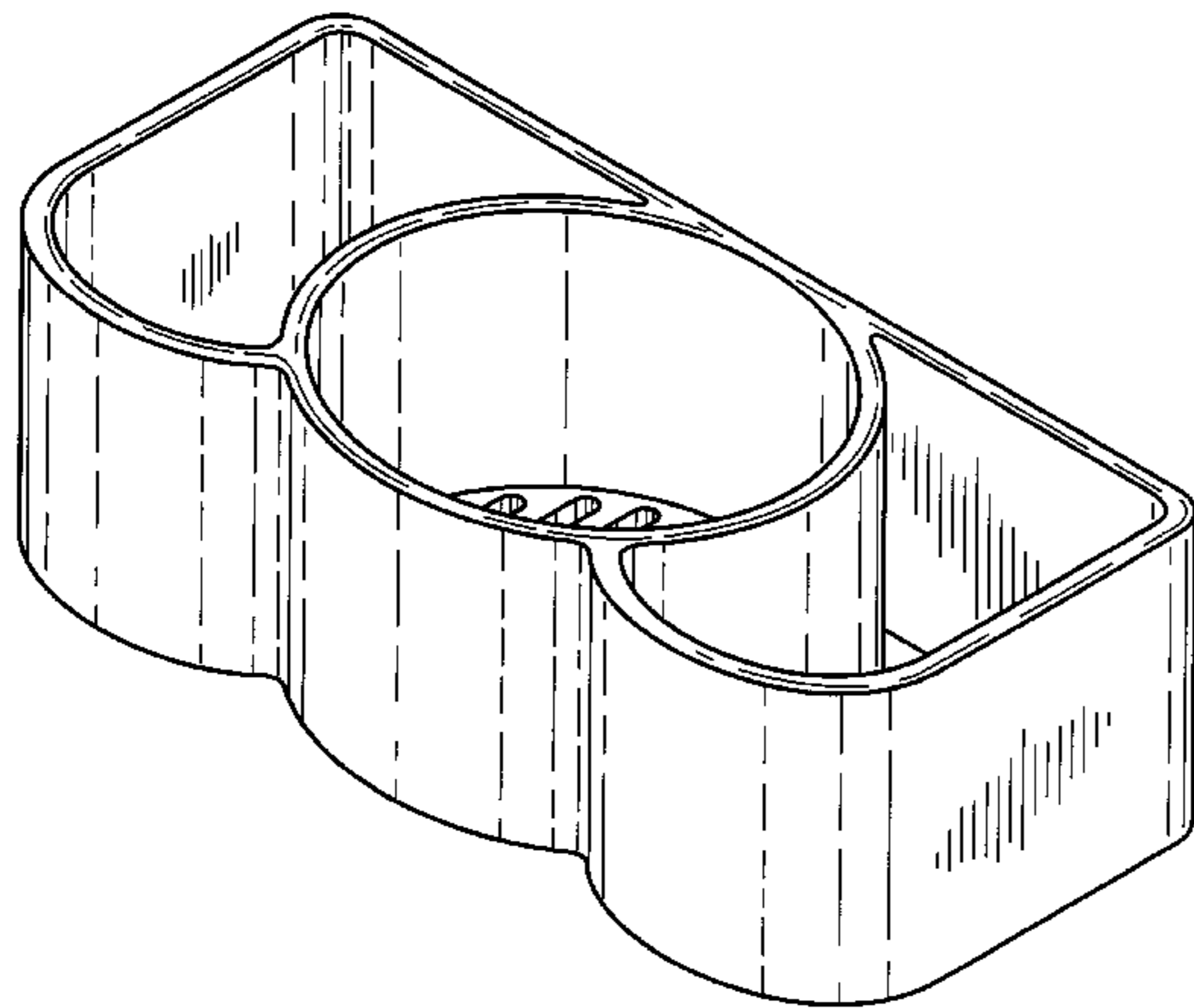


Fig. 1

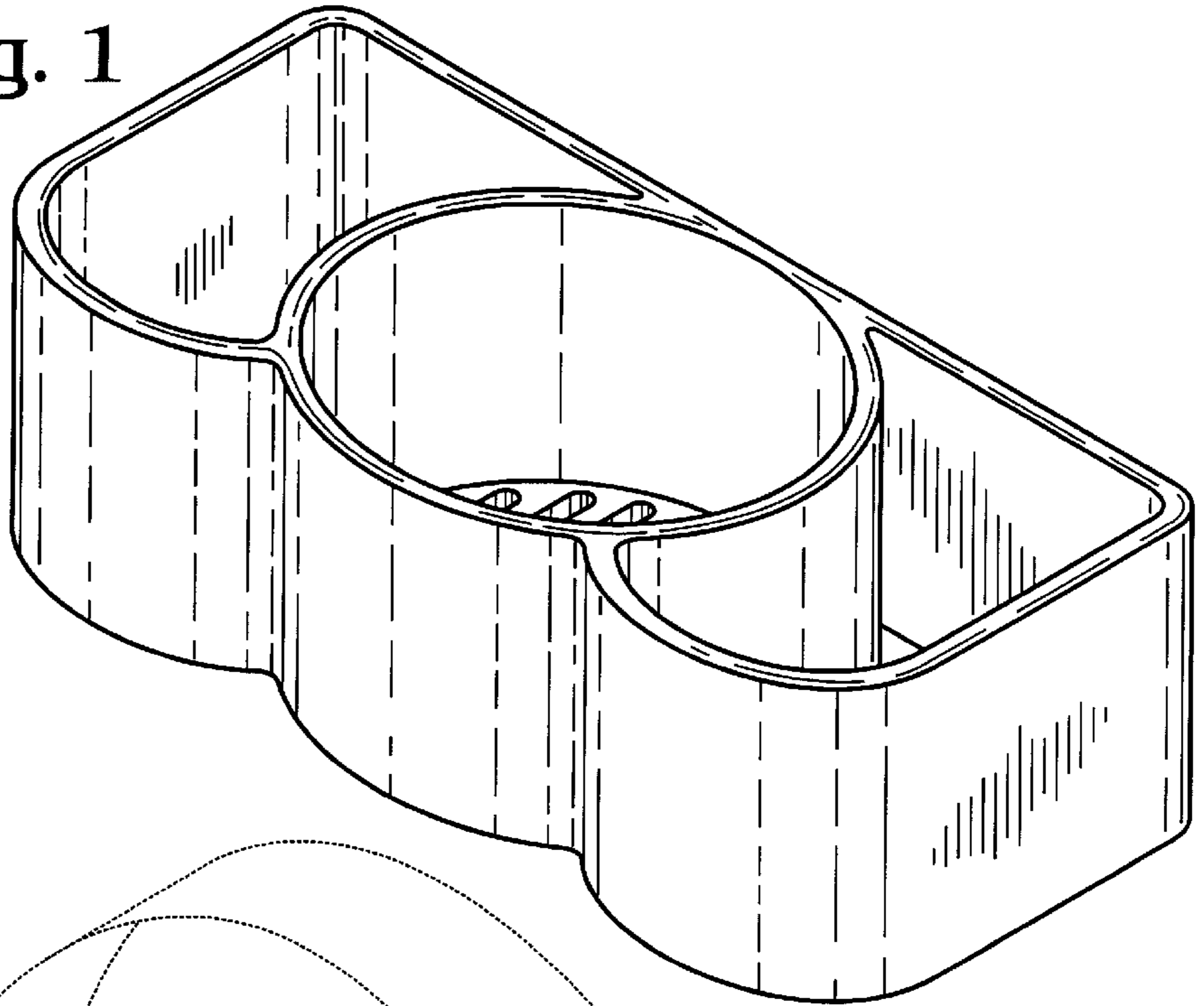


Fig. 2

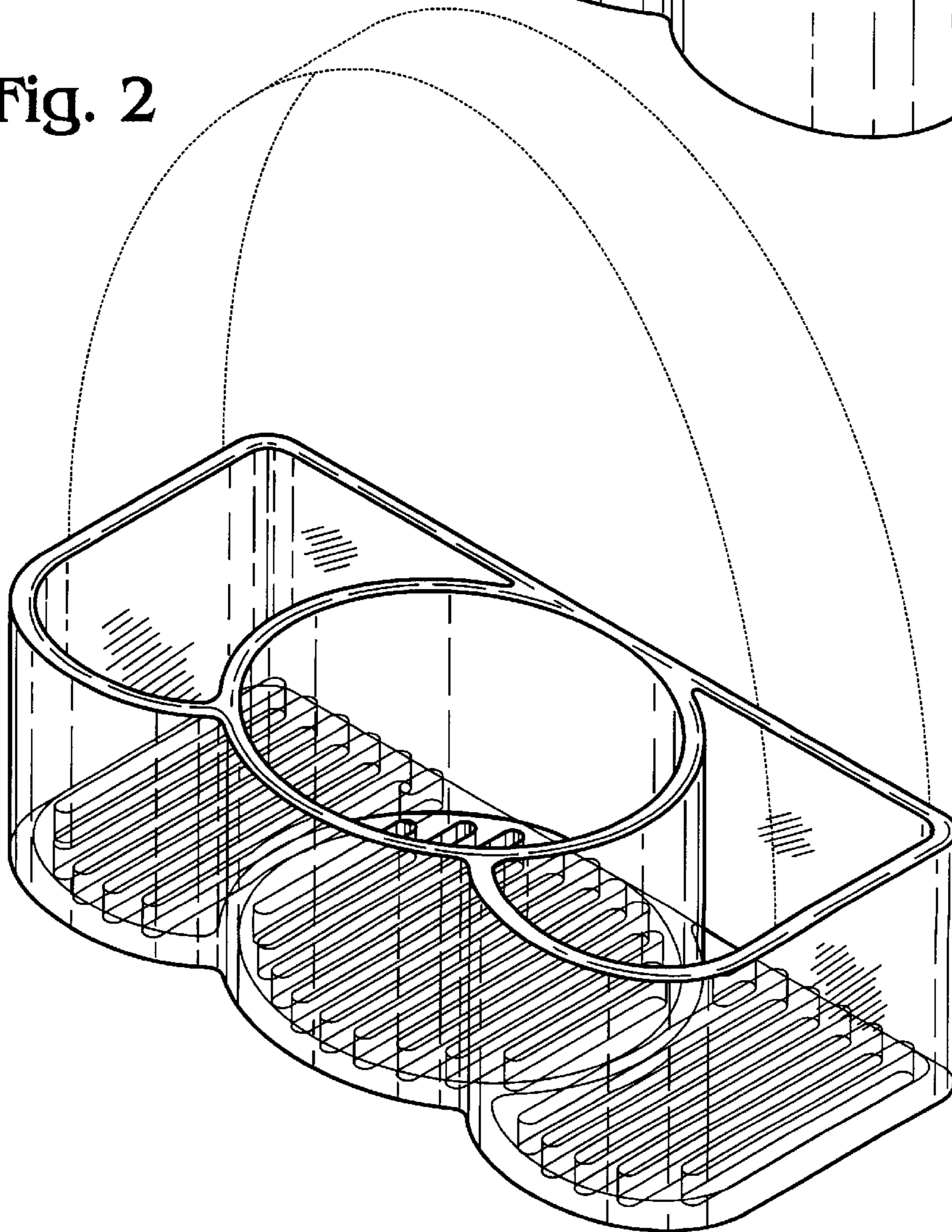


Fig. 3

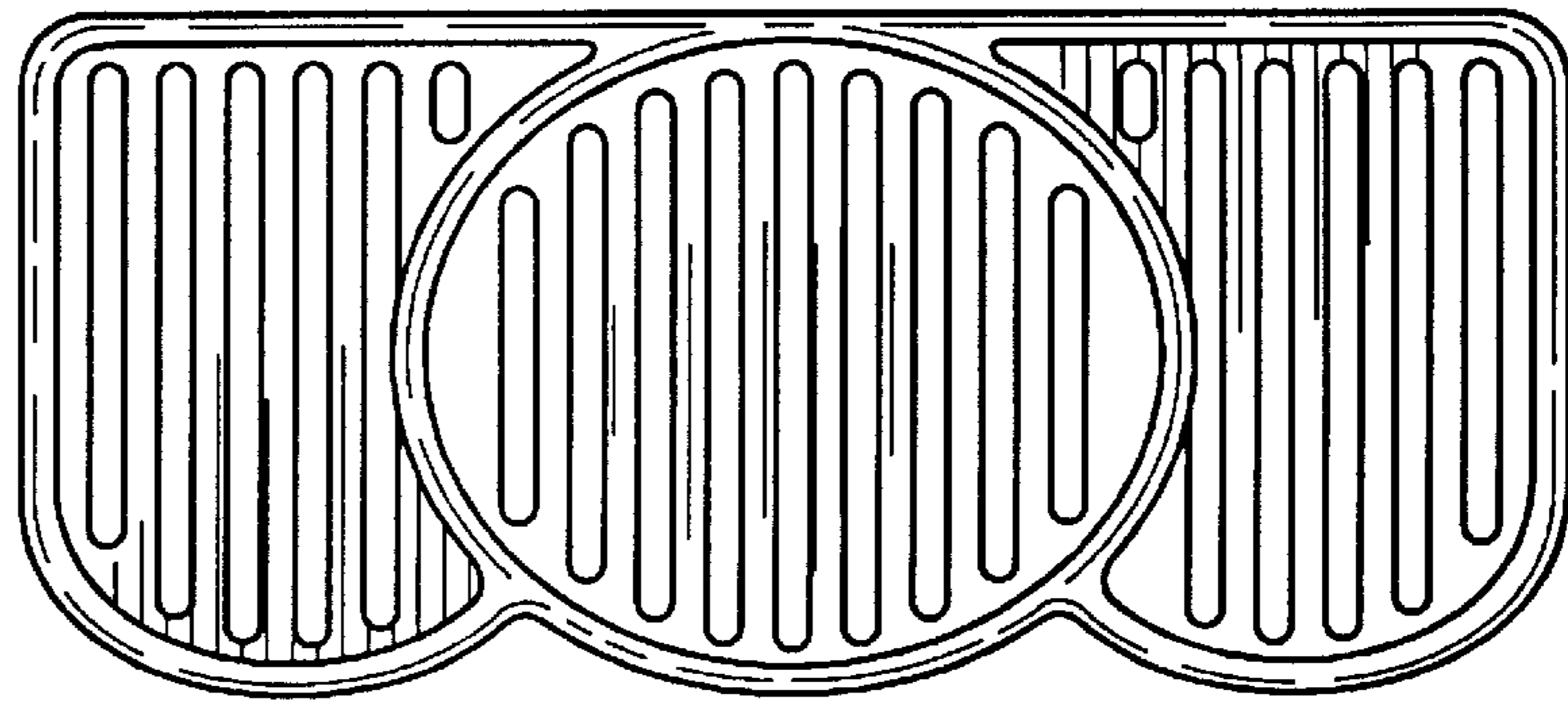


Fig. 4

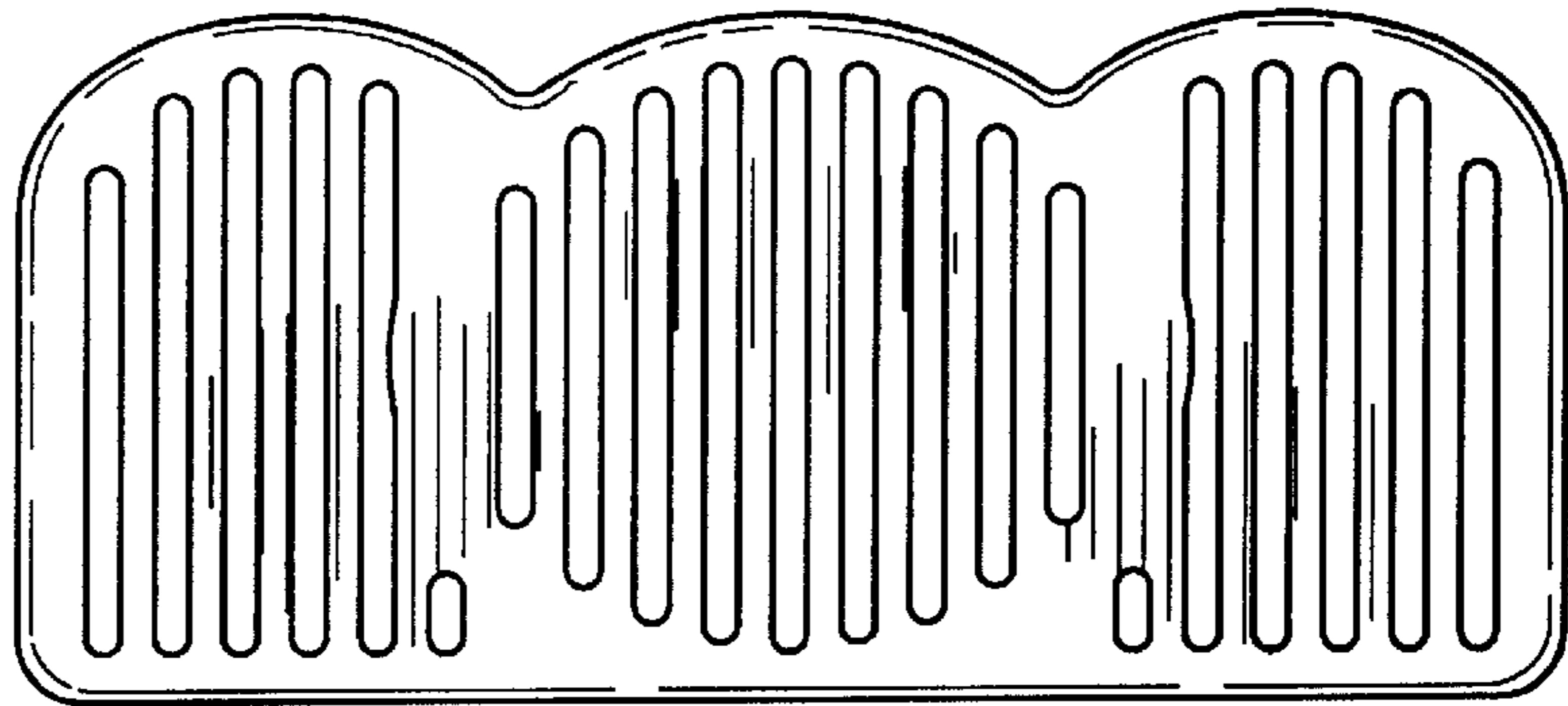


Fig. 5

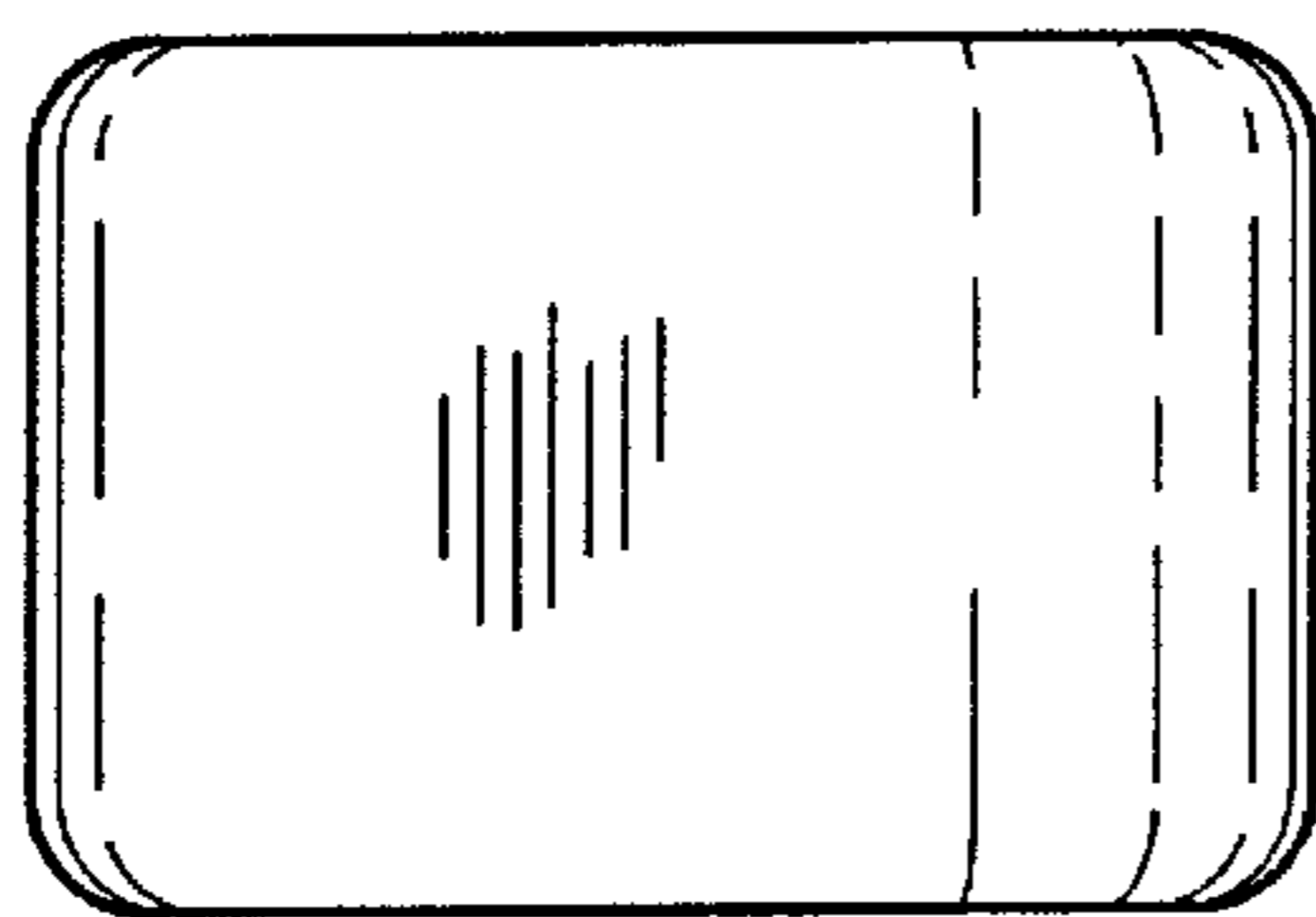


Fig. 6

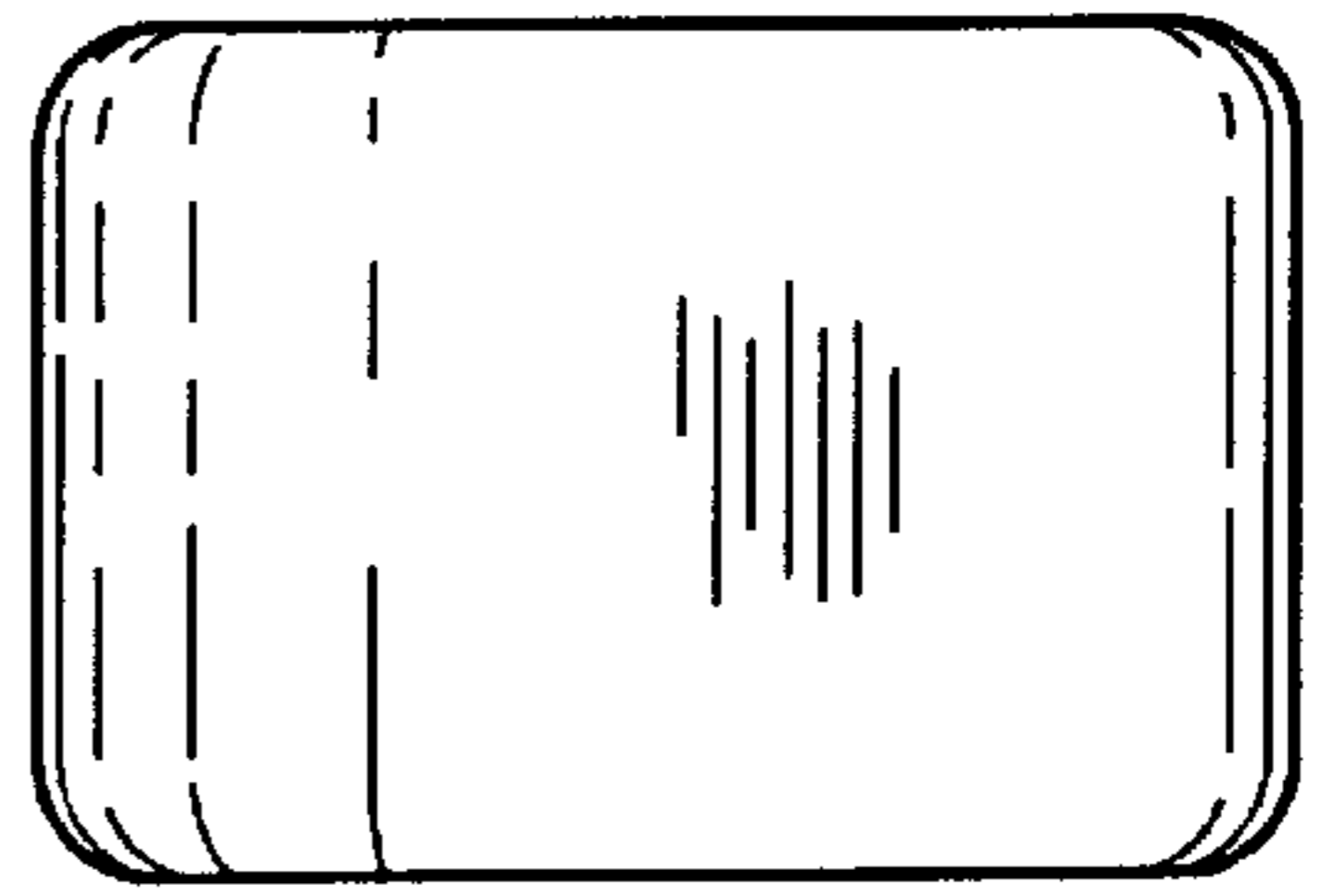


Fig. 7

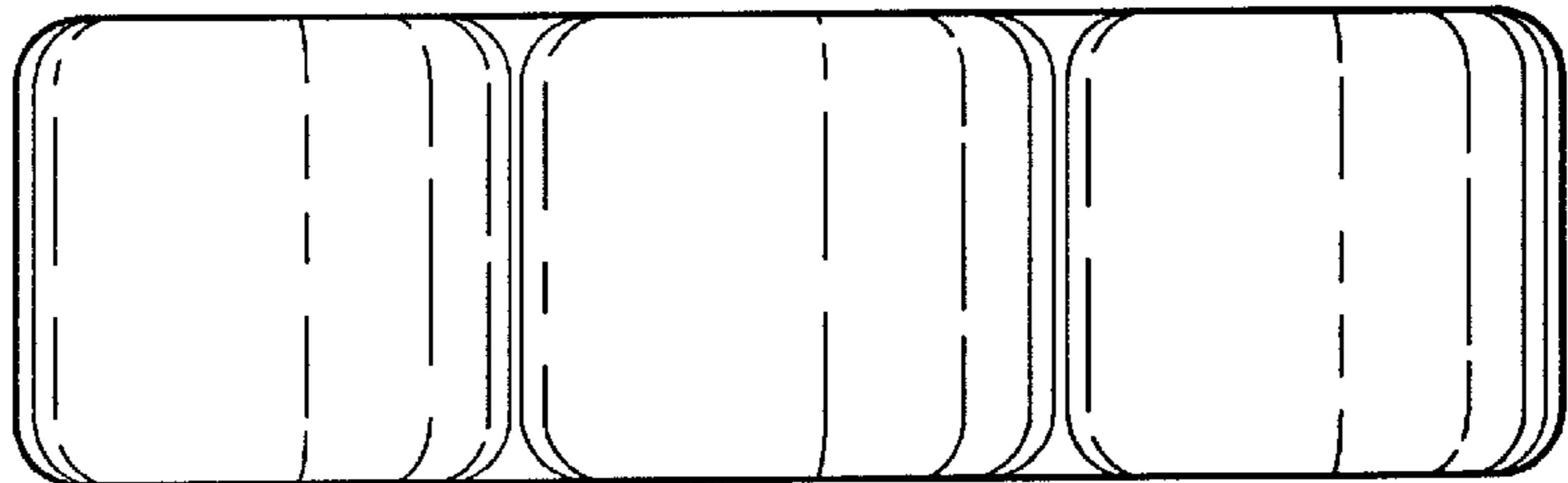


Fig. 8

