



US00D437150S

(12) **United States Design Patent** (10) **Patent No.:** **US D437,150 S**
Cain (45) **Date of Patent:** **** Feb. 6, 2001**

(54) **SIDEBOARD**

(75) Inventor: **Charles C. Cain**, High Point, NC (US)

(73) Assignee: **Thomasville Furniture Industries, Inc.**, Thomasville, NC (US)

(**) Term: **14 Years**

(21) Appl. No.: **29/116,273**

(22) Filed: **Dec. 29, 1999**

(51) **LOC (7) Cl.** **06-04**

(52) **U.S. Cl.** **D6/446**

(58) **Field of Search** D6/432, 438, 439, D6/441, 444, 445, 446; 312/204, 224

(56) **References Cited**

U.S. PATENT DOCUMENTS

- D. 378,032 * 2/1997 Rosebrock D6/445
- D. 414,627 * 10/1999 Cain D6/441

OTHER PUBLICATIONS

- Furniture Today, Jeffco Dresser, p. 196, Oct. 21, 1996.*
- Furniture Today, Bernhardt Dresser, p. 113, Oct. 20, 1997.*

Buffet Stone Top Buffet Base, Embassy Row Collection brochure, Bernhardt Furniture Company, p. 4.

* cited by examiner

Primary Examiner—Cathron Brooks

(74) *Attorney, Agent, or Firm*—Rhodes & Mason, P.L.L.C.

(57) **CLAIM**

The ornamental design for a sideboard, as shown and described.

DESCRIPTION

FIG. 1 is a left front perspective view of a sideboard showing my new design;

FIG. 2 is a front elevational view thereof;

FIG. 3 is a side elevational view thereof, the opposite side being a mirror image thereof;

FIG. 4 is a top view thereof;

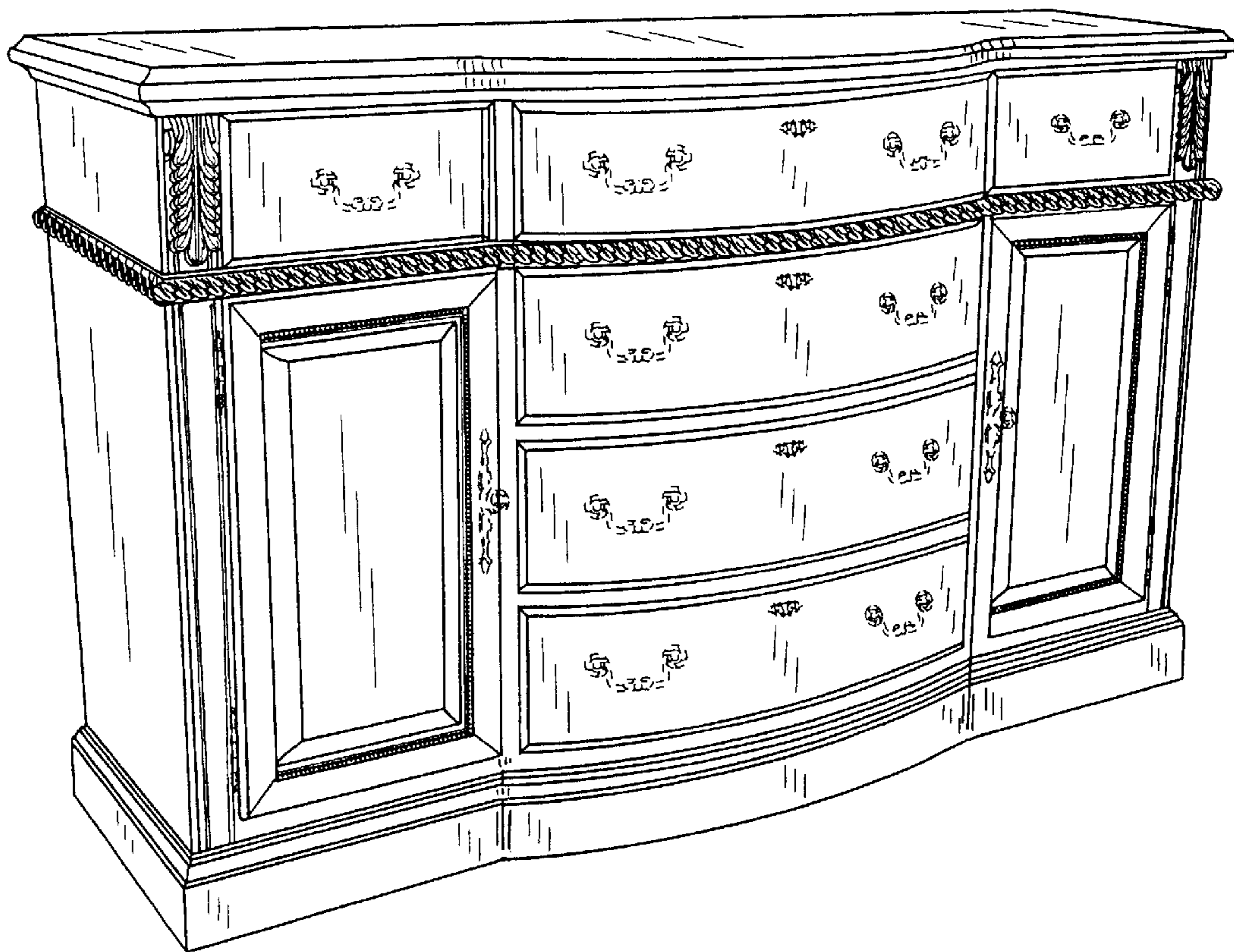
FIG. 5 is an enlarged partial perspective view of the upper right corner thereof; and,

FIG. 6 is an enlarged partial view of the door carving.

The broken line showing of environmental elements is for illustrative purposes only and forms no part of the claimed design.

The bottom and rear views of the design are not shown and form no part of the claimed design.

1 Claim, 5 Drawing Sheets



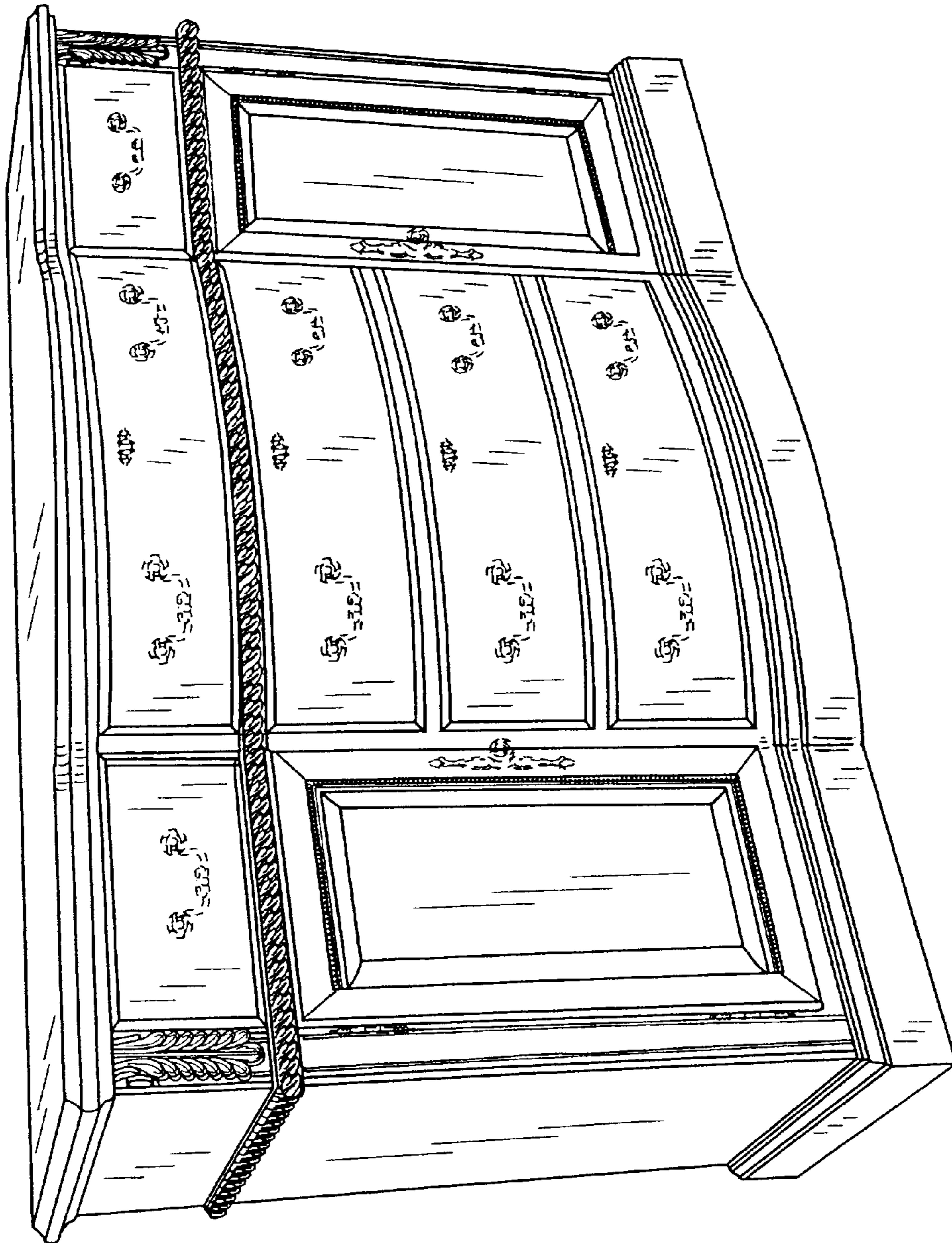


FIG. 1

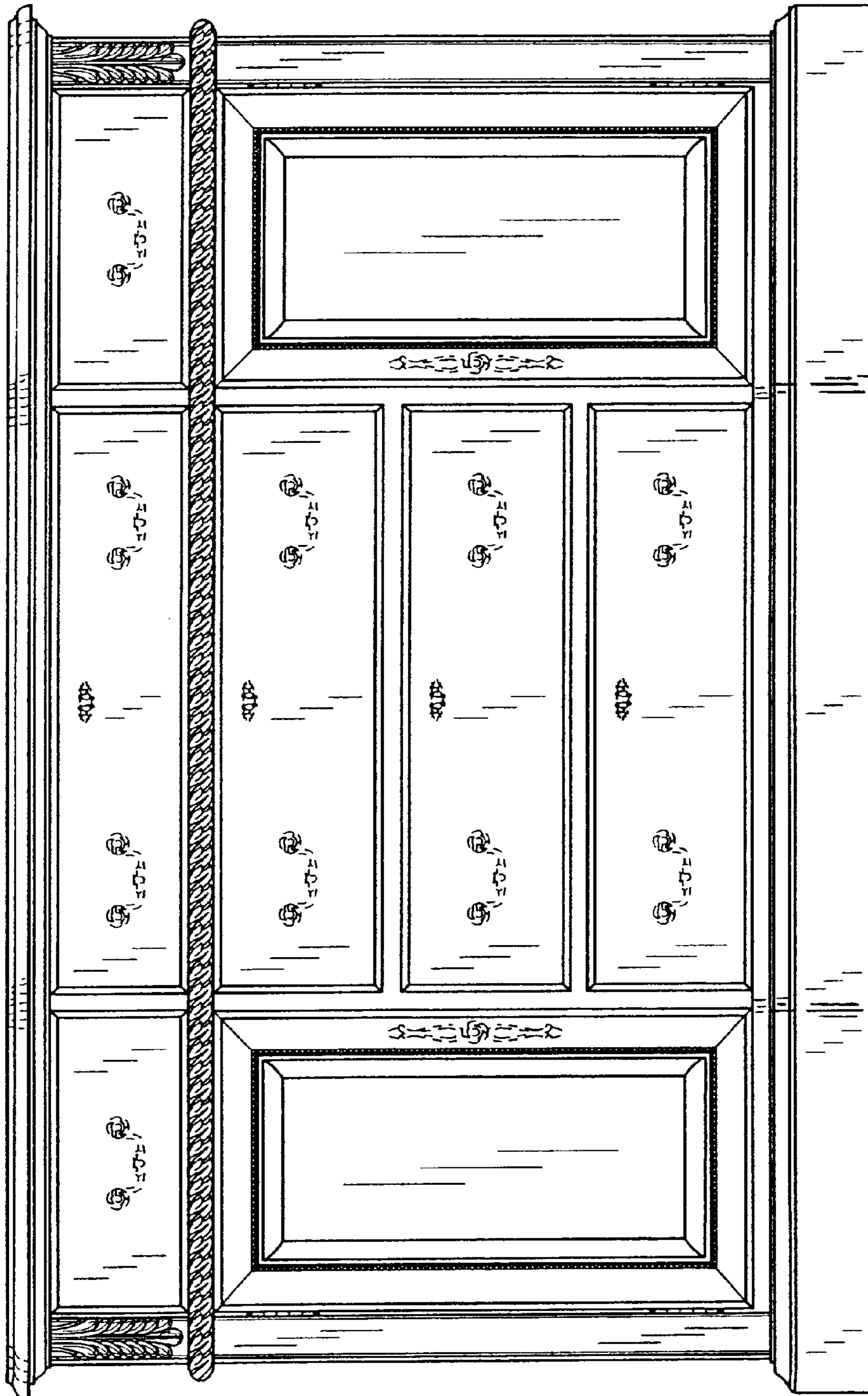


FIG. 2

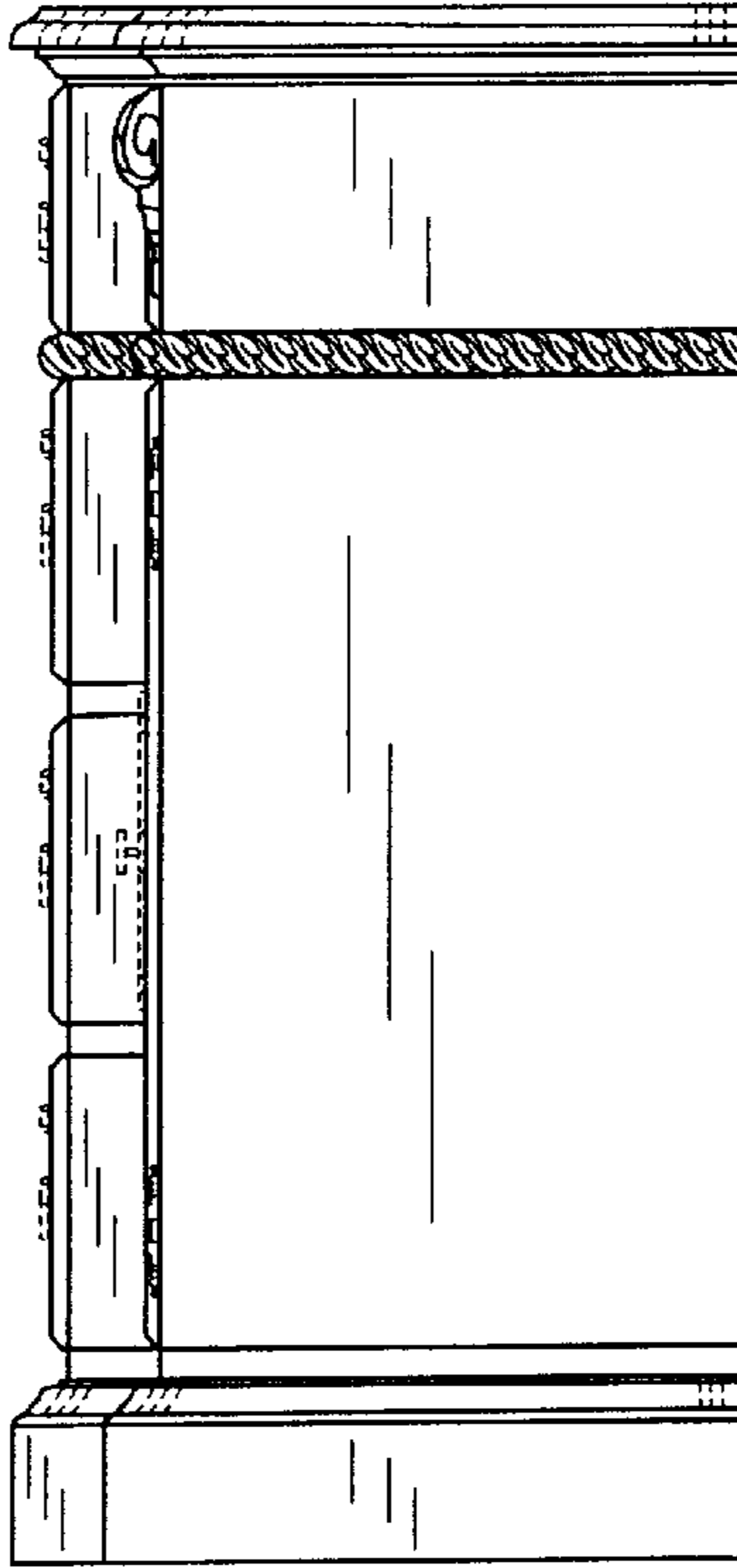


FIG. 3

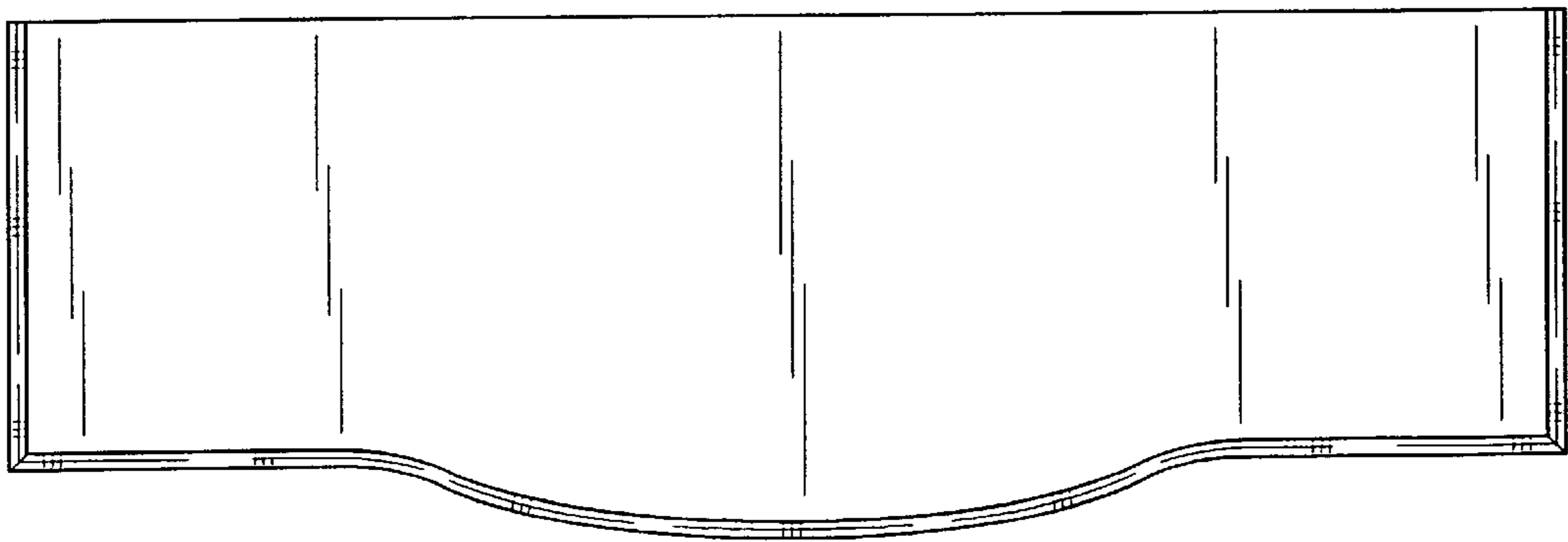


FIG. 4

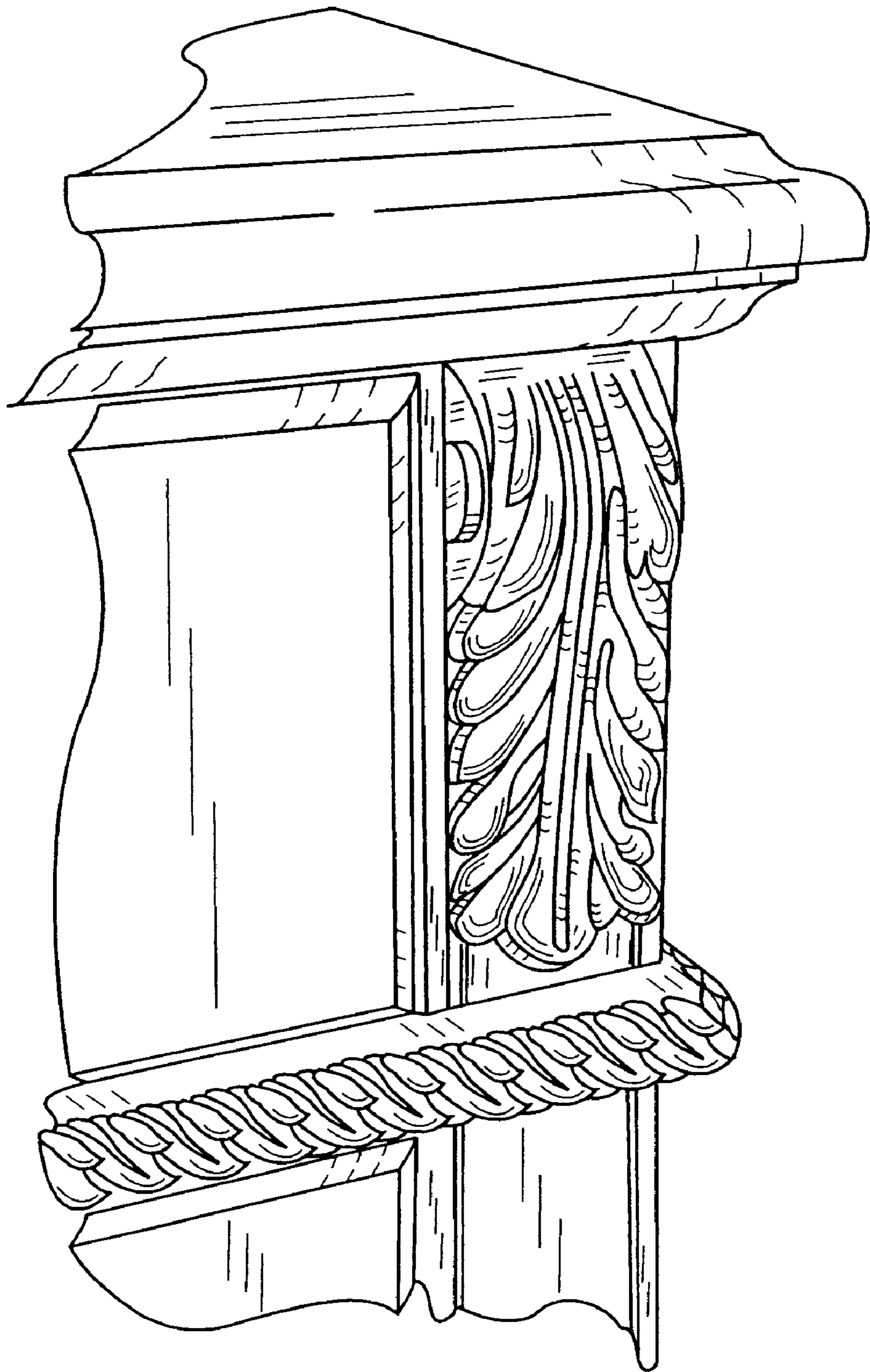


FIG. 5

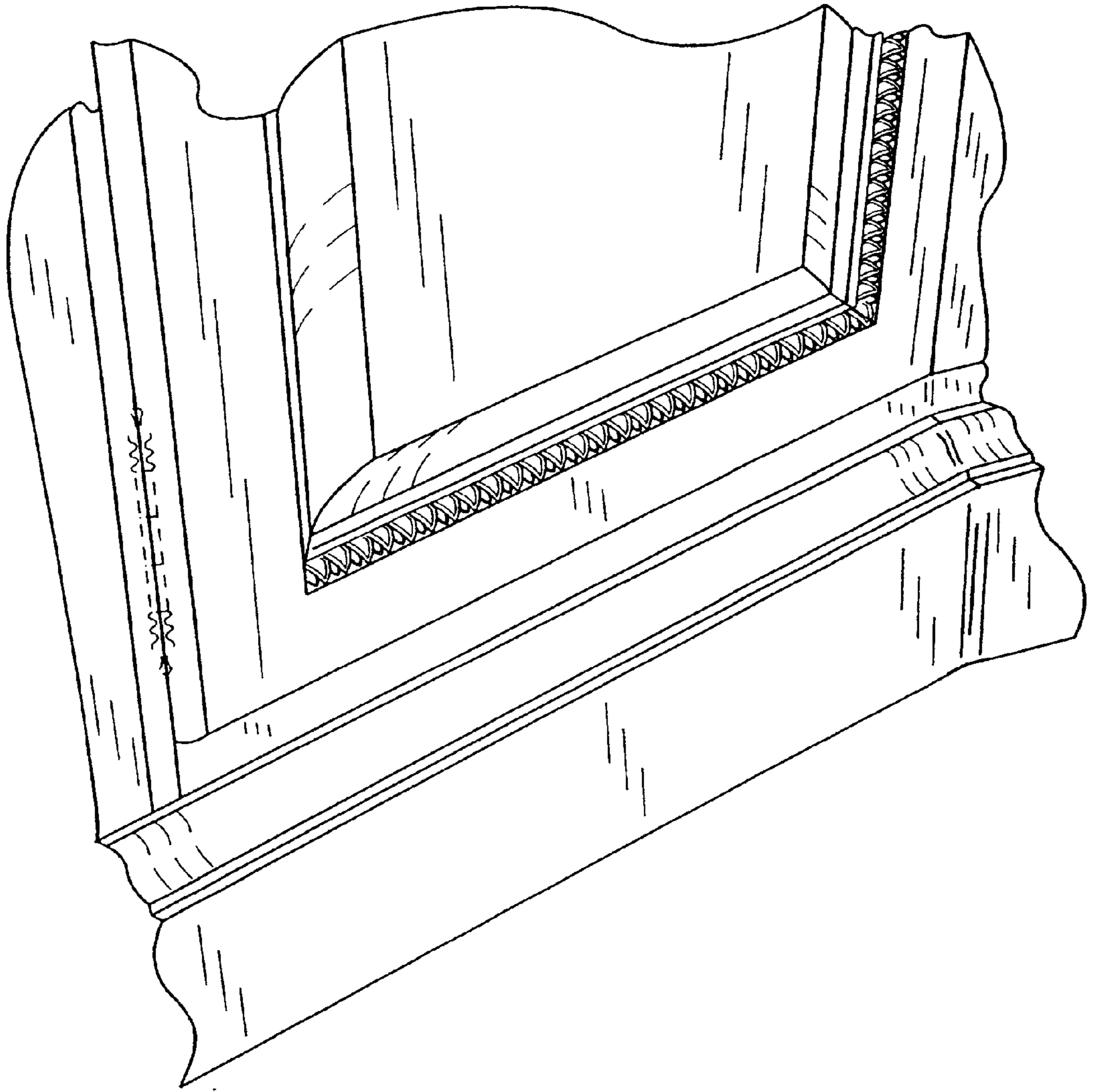


FIG. 6