



US00D437147S

(12) **United States Design Patent**  
**Ungaro**

(10) **Patent No.:** **US D437,147 S**

(45) **Date of Patent:** **\*\* Feb. 6, 2001**

(54) **VANITY CABINET**

(75) **Inventor:** **Nicholas Ungaro**, Chegrin Falls, OH  
(US)

(73) **Assignee:** **Kraftmaid Cabinetry, Inc.**,  
Middlefield, OH (US)

(\*\*) **Term:** **14 Years**

(21) **Appl. No.:** **29/118,370**

(22) **Filed:** **Feb. 7, 2000**

(51) **LOC (7) Cl.** ..... **06-04**

(52) **U.S. Cl.** ..... **D6/432**

(58) **Field of Search** ..... D6/553, 559, 560-61,  
D6/329, 396, 432, 436-39, 444-46, 448;  
312/209, 224-25, 234, 242, 245; 206/320,  
823

(56) **References Cited**

**U.S. PATENT DOCUMENTS**

D. 97,309 \* 10/1935 Stoltz ..... D6/432

D. 318,387 \* 7/1991 Bush et al. .... D6/445  
D. 318,582 \* 7/1991 Hollington ..... D6/446  
D. 370,365 \* 6/1996 Brunner et al. .... D6/445  
5,951,127 \* 9/1999 Smith ..... 312/245 X

\* cited by examiner

*Primary Examiner*—Brian N. Vinson

(74) *Attorney, Agent, or Firm*—Edgar A. Zarins; Lloyd D.  
Doigan

(57) **CLAIM**

The ornamental design for a vanity cabinet, as shown and  
described.

**DESCRIPTION**

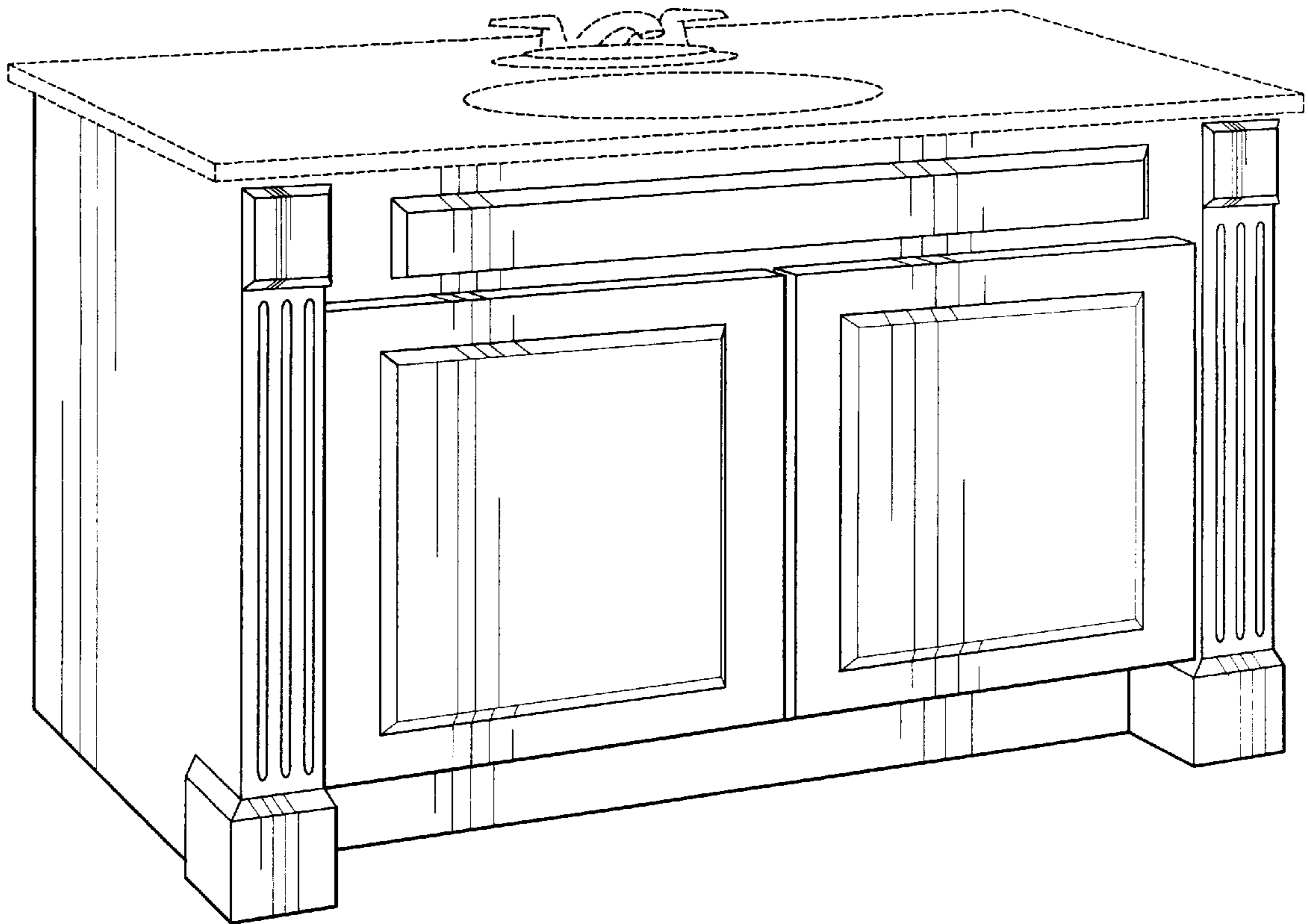
FIG. 1 is a perspective view of a vanity cabinet showing my  
new design;

FIG. 2 is a front elevational view thereof; and,

FIG. 3 is a right side view thereof.

The broken-line disclosure of the counter top in the views is  
for illustrative purposes only and forms no part of the  
claimed design.

**1 Claim, 2 Drawing Sheets**



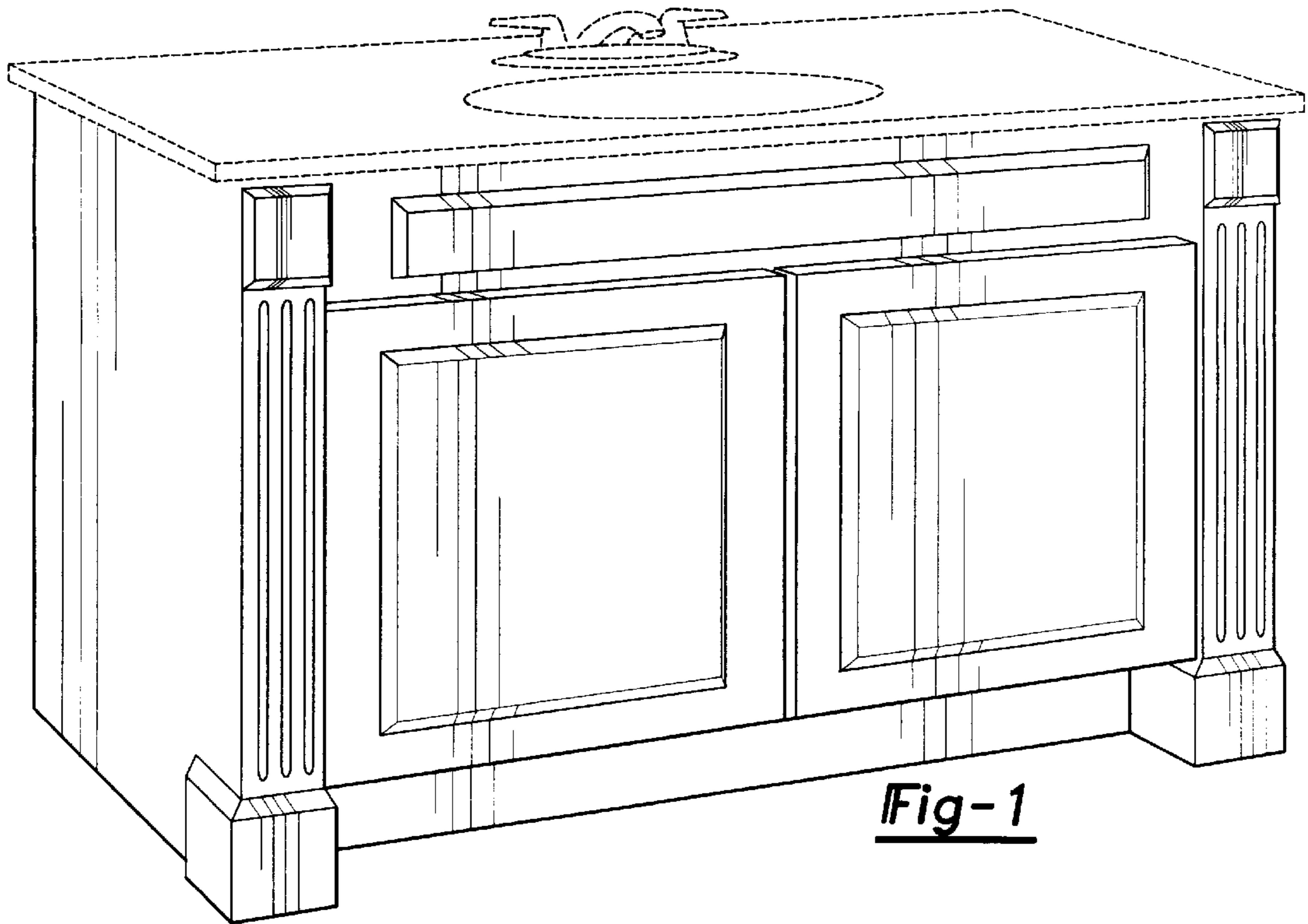
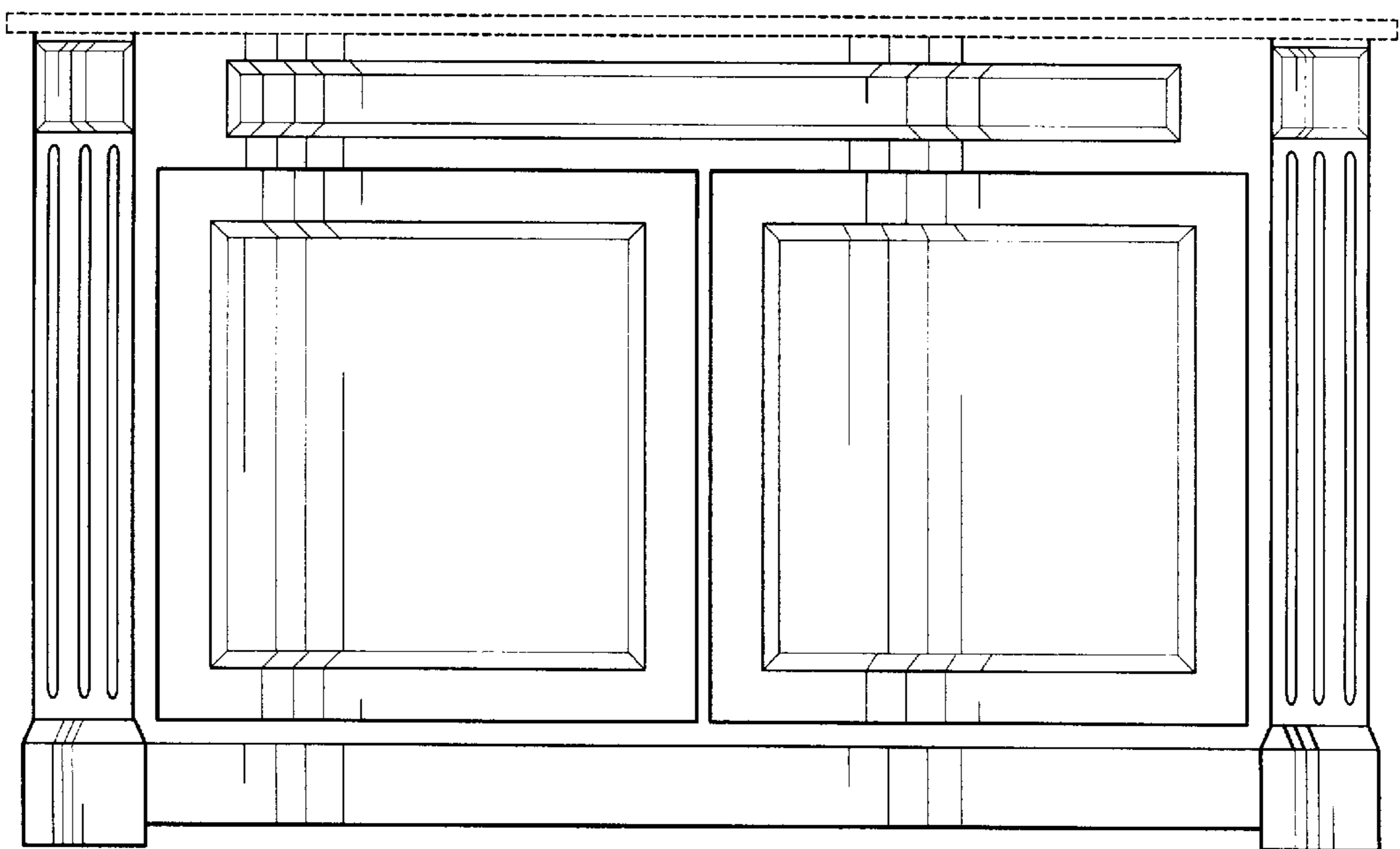
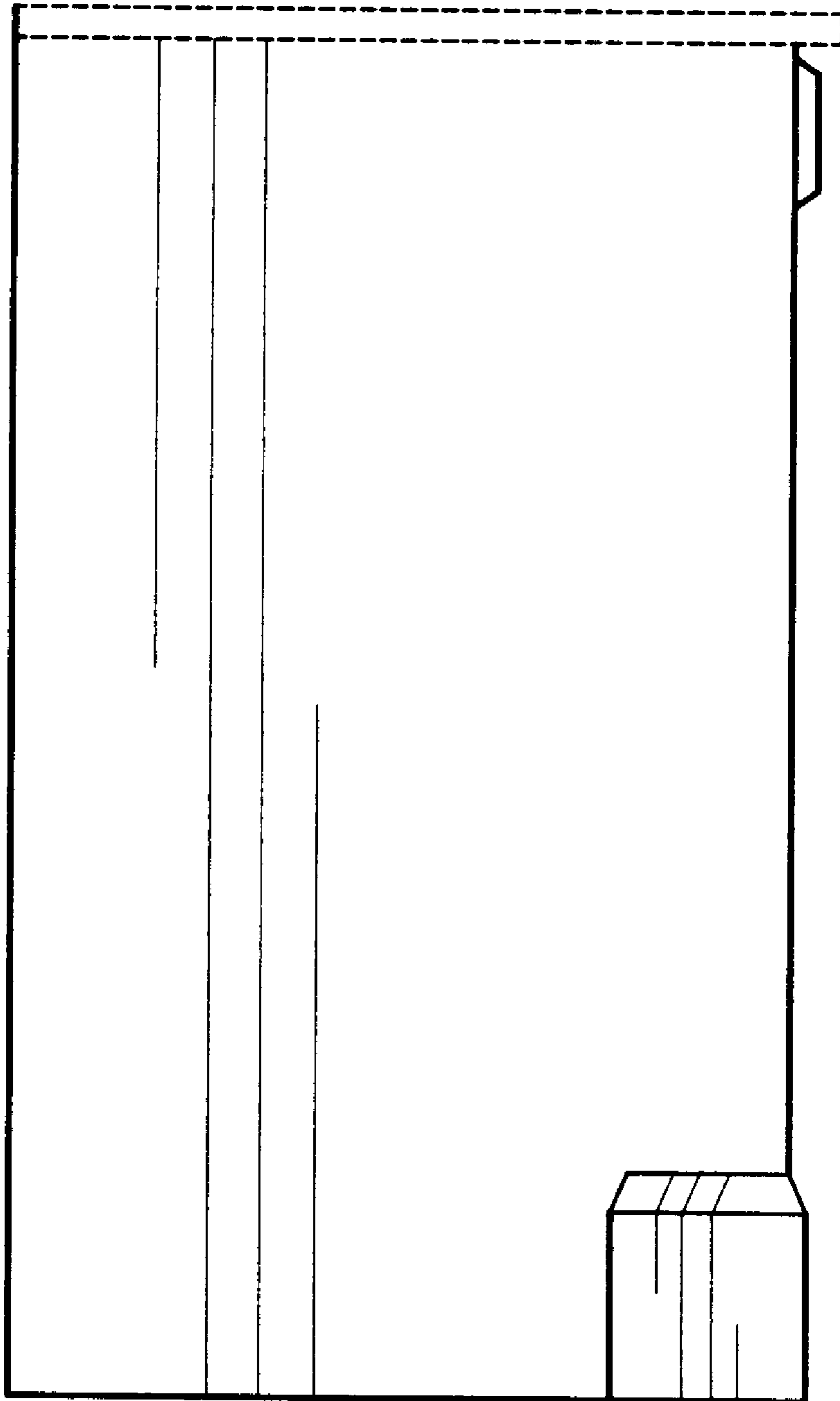


Fig-1

Fig-2





*Fig-3*