



US00D437144S

(12) **United States Design Patent**
Fear et al.

(10) **Patent No.:** **US D437,144 S**

(45) **Date of Patent:** **** Feb. 6, 2001**

(54) **WORK STATION**

5,901,513 * 5/1999 Mollenkopf et al. 52/220.7

(75) Inventors: **Jeffery Fear; James Hayward**, both of
Culver City, CA (US)

(73) Assignee: **Egan Visual Inc.**, Woodbridge (CA)

(**) Term: **14 Years**

(21) Appl. No.: **29/117,410**

(22) Filed: **Jan. 27, 2000**

(51) **LOC (7) Cl.** **06-03**

(52) **U.S. Cl.** **D6/397; D6/396; D6/509;**
D6/511; D13/139.8

(58) **Field of Search** **D6/397, 480, 483-485,**
D6/490, 491, 509, 511; D13/137.1, 137.2,
137.3, 137.4, 139.1, 139.2, 139.3, 139.4,
139.5, 139.6, 139.7, 139.8, 146-148, 154,
155, 160, 164; D14/304; 108/50.02, 50.11;
211/26, 119.005; 248/49; 312/223.1, 223.2,
223.3, 223.6; 52/220.1, 220.7; D25/119,
121, 126, 131, 136, 164

(56) **References Cited**

U.S. PATENT DOCUMENTS

D. 31,193	*	7/1899	Krantz	D25/122
D. 192,920	*	5/1962	Beals	D14/304
D. 217,251	*	4/1970	Kahn	D13/139.8
D. 261,134	*	10/1981	Heritage	D13/139.2
D. 401,224	*	11/1998	Mollenkopf et al.	D13/155
5,826,385	*	10/1998	Dykstra et al.	52/220.7
5,881,500	*	3/1999	Latino et al.	52/220.7 X

OTHER PUBLICATIONS

Allied Electronics 900 Engineering Manual & Purchasing
Guide, c. 1990: p. 366—Item Nos. UL2064 and UL2065.*

* cited by examiner

Primary Examiner—Catherine Tuttle

(74) *Attorney, Agent, or Firm*—Philip C. Mendes da Costa;
Bereskin & Parr

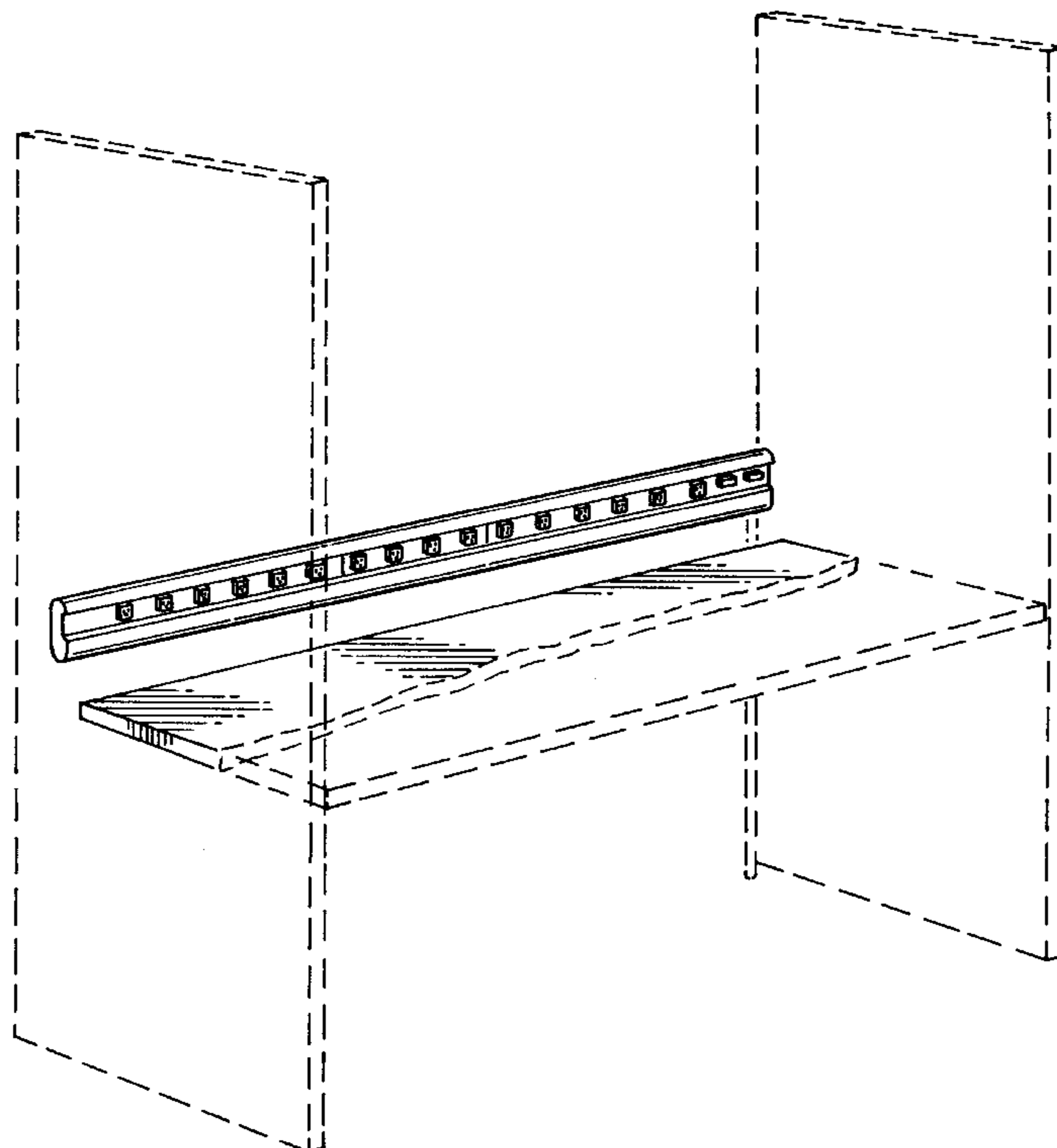
(57) **CLAIM**

The ornamental design for a work station, as shown and
described.

DESCRIPTION

FIG. 1 is a perspective view from the front and to one side
of the work station;
FIG. 2 is a front elevation view of the work station of FIG.
1;
FIG. 3 is a rear elevational view of the work station of FIG.
1;
FIG. 4 is a left side elevational view of the work station of
FIG. 1, the side opposite being a mirror image of the side
shown; and,
FIG. 5 is a top plan view of the work station of FIG. 1.
The broken line(s) in FIGS. 1, 4 and 5 immediately adjacent
the shaded area of the horizontal planar surface define the
bounds of the claimed design; all other broken lines are for
illustrative purpose only. None of the broken lines form a
part of the claim.

1 Claim, 5 Drawing Sheets



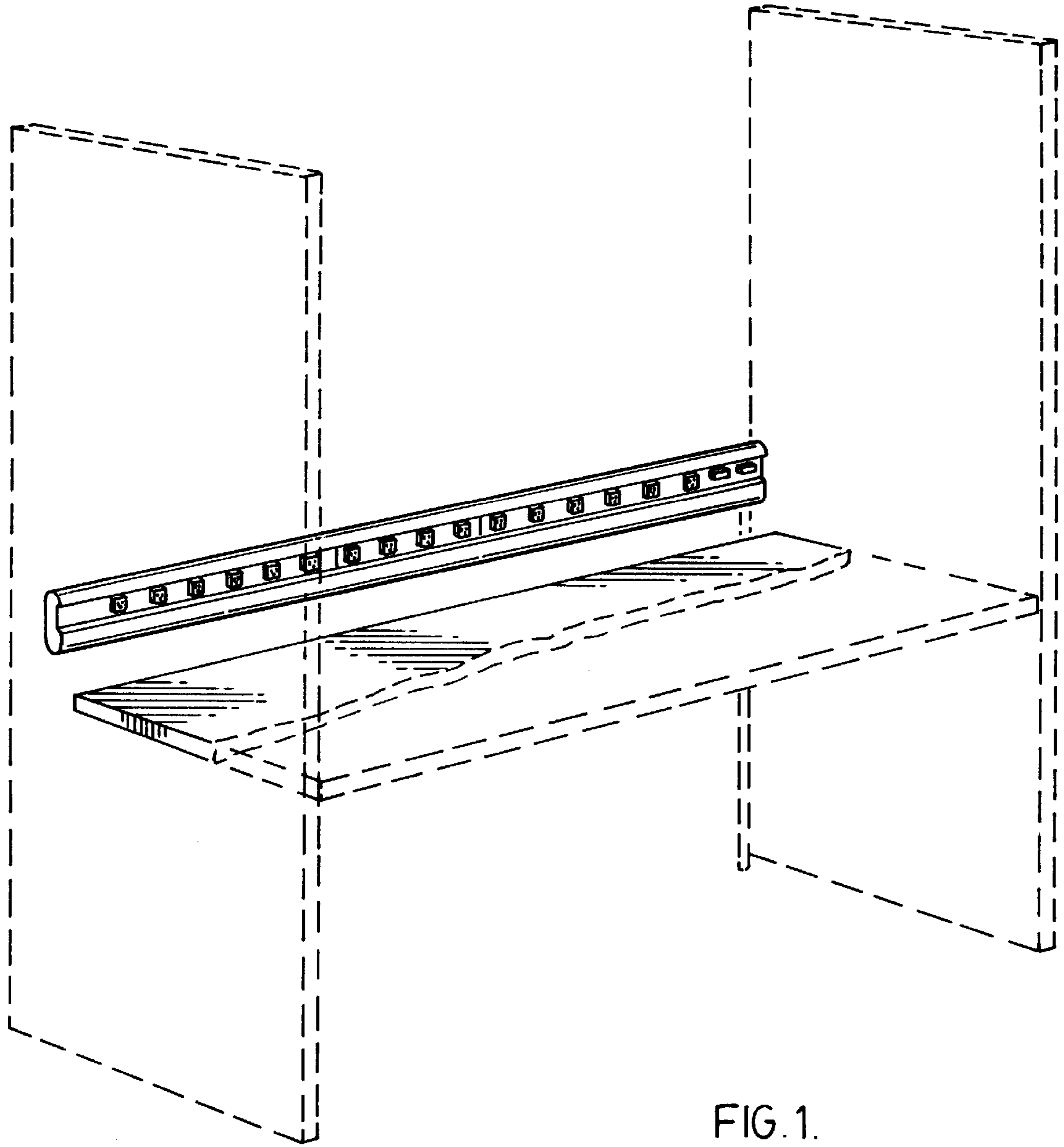


FIG. 1.

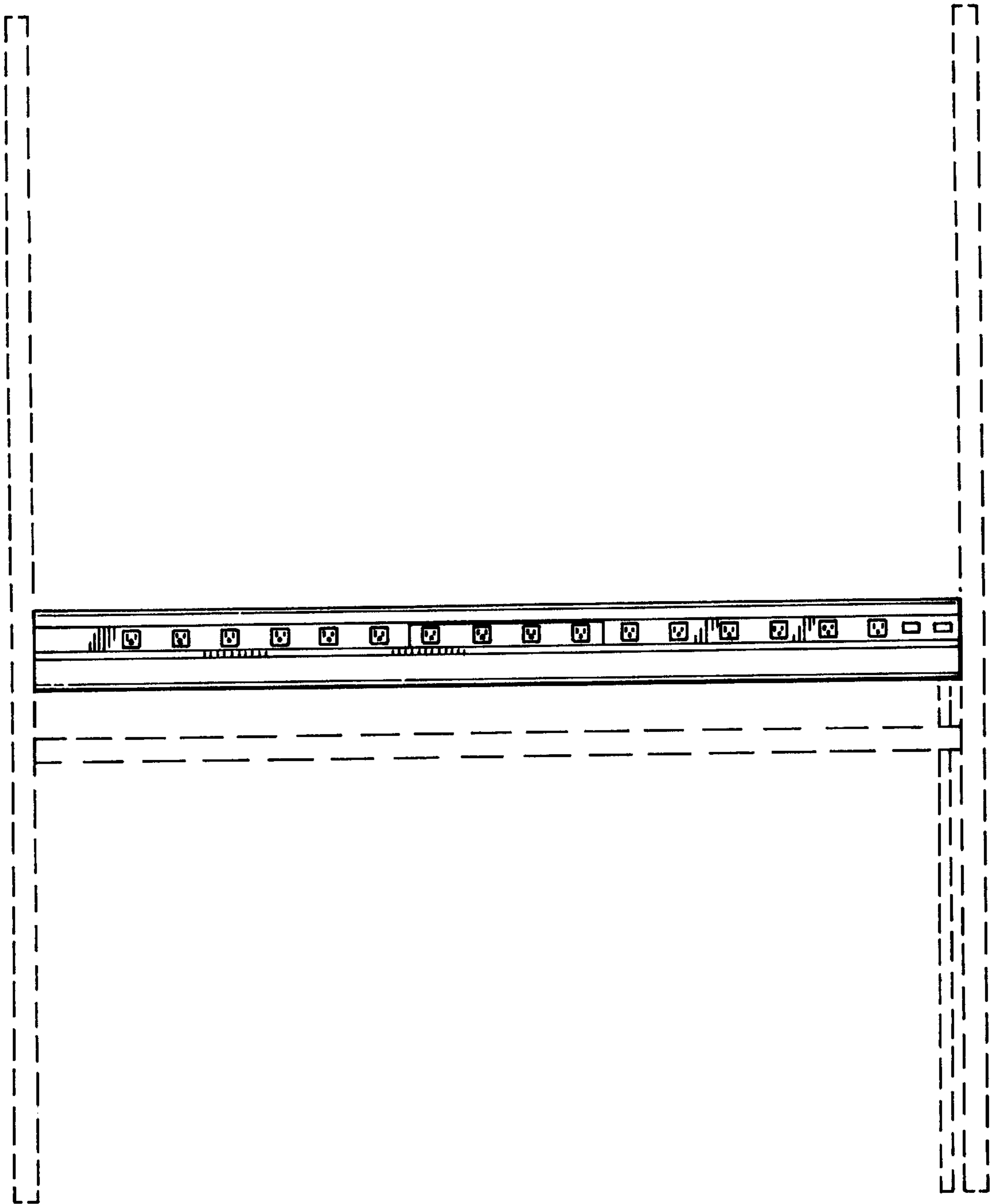


FIG. 2.

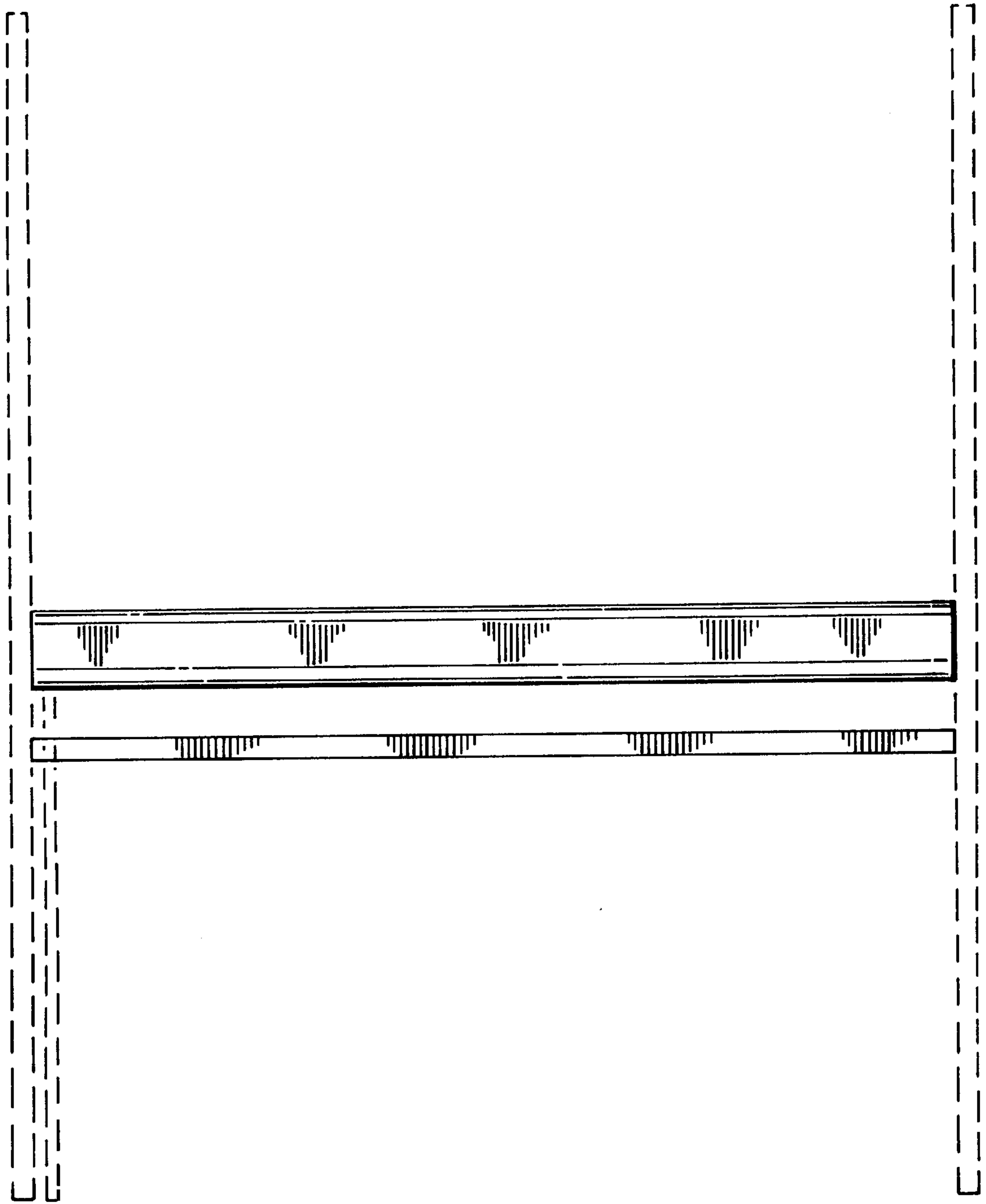


FIG. 3.

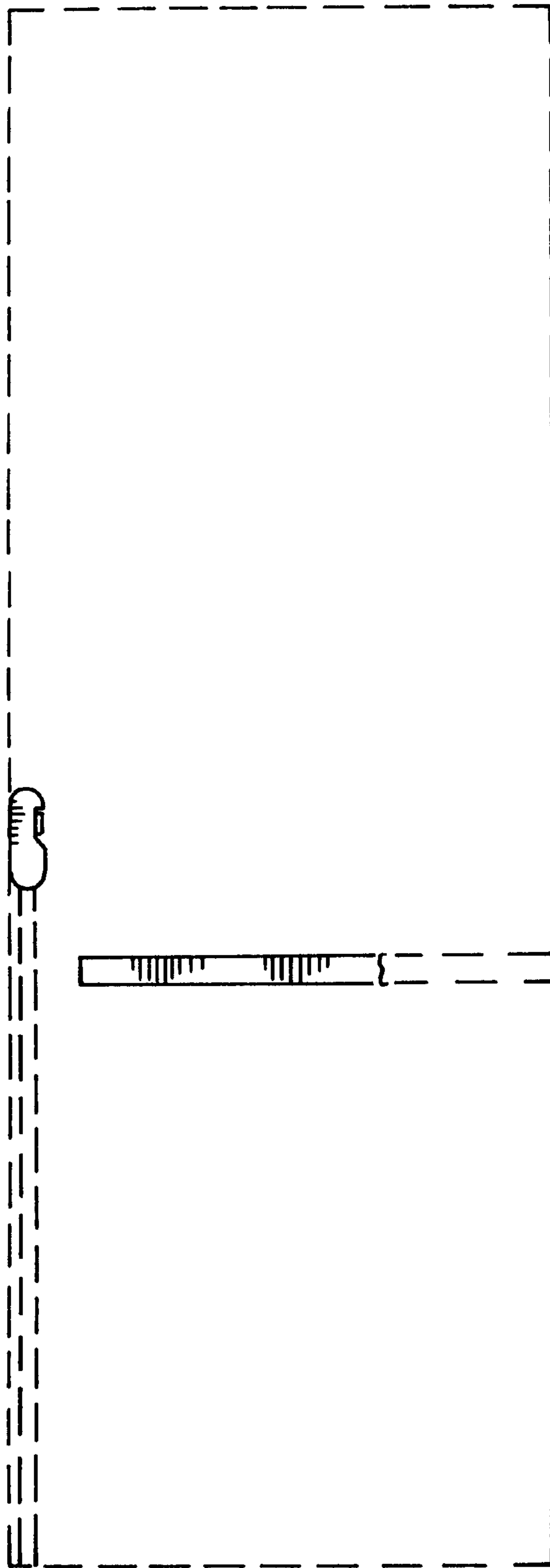


FIG. 4.

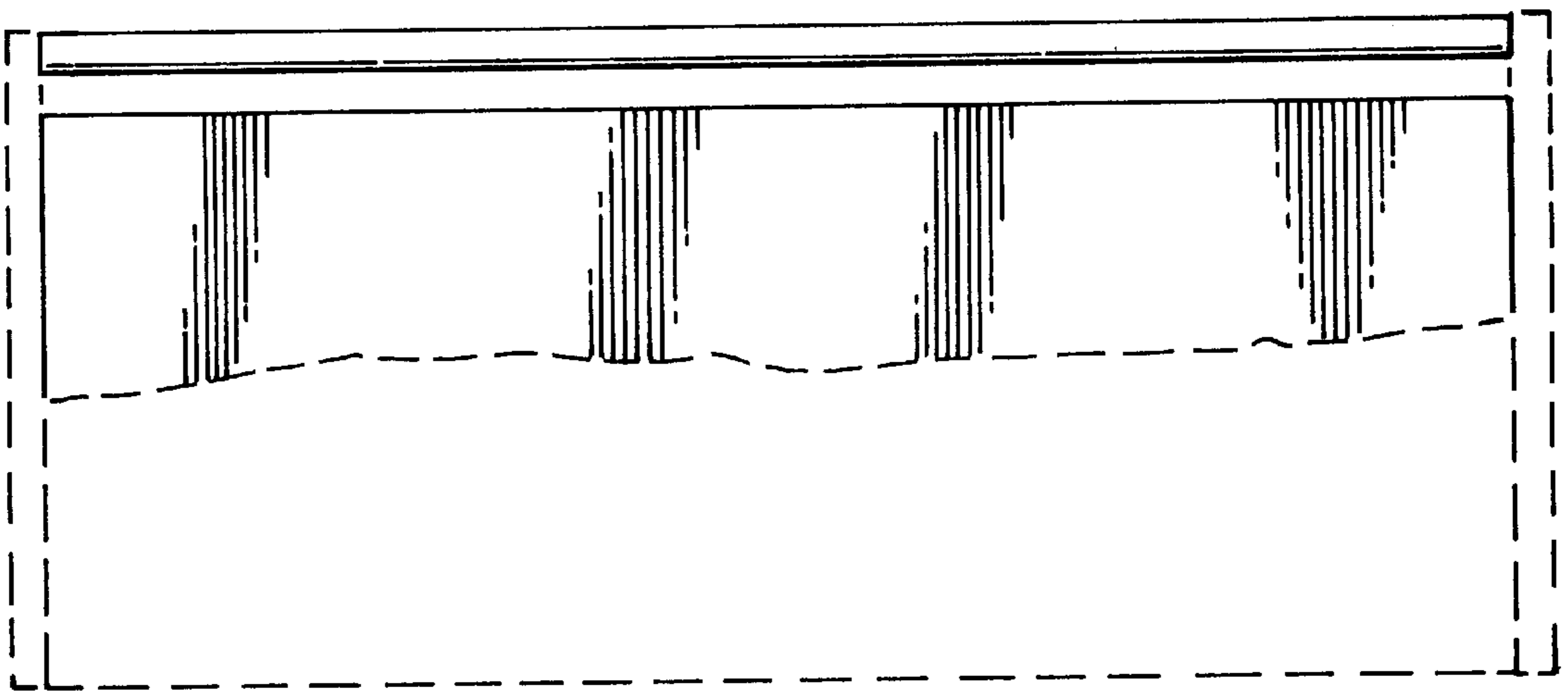


FIG. 5.