



US00D437140S

(12) **United States Design Patent**
Hutton

(10) **Patent No.:** **US D437,140 S**

(45) **Date of Patent:** **** Feb. 6, 2001**

(54) **CHAIR**

(75) Inventor: **John Hutton**, West Islip, NY (US)

(73) Assignee: **Donghia Furniture/Textiles Ltd.**, New York, NY (US)

(**) Term: **14 Years**

(21) Appl. No.: **29/114,693**

(22) Filed: **Nov. 29, 1999**

(51) **LOC (7) Cl.** **06-01**

(52) **U.S. Cl.** **D6/379; D6/380**

(58) **Field of Search** **D6/334, 374, 375,**
D6/379, 380, 500, 501, 502; 297/445.1,
446.1

(56) **References Cited**

U.S. PATENT DOCUMENTS

- D. 99,980 * 6/1936 Ziem D6/379
- D. 177,072 * 3/1956 Smilow D6/379

- D. 292,049 * 9/1987 Goldman D6/379
- D. 358,267 * 5/1995 Ginat D6/379
- D. 372,596 * 8/1996 Reinhard D6/379
- D. 409,851 * 5/1999 Hutton D6/379
- D. 414,051 * 9/1999 Tomar D6/379

* cited by examiner

Primary Examiner—Gary D. Watson

(74) *Attorney, Agent, or Firm*—Heslin & Rothenberg, P.C.

(57) **CLAIM**

The ornamental design for a chair, as shown and described.

DESCRIPTION

FIG. 1 is a front elevational view of the chair comprising my new design;
 FIG. 2 is a right side elevational view thereof, the opposite side elevational view being a mirror image thereof;
 FIG. 3 is a top plan view thereof; and,
 FIG. 4 is a rear elevational view thereof.

1 Claim, 1 Drawing Sheet

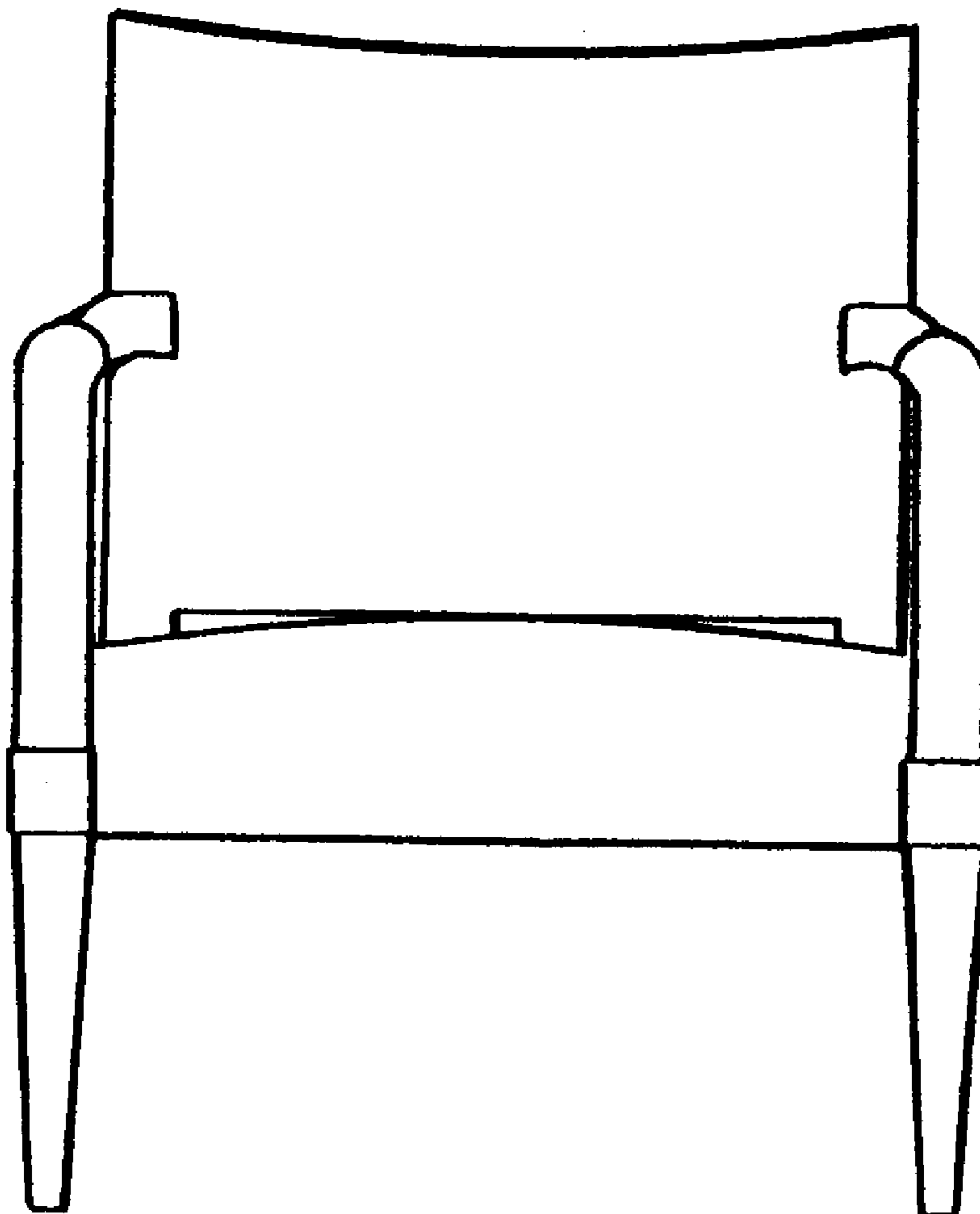


FIG. 3

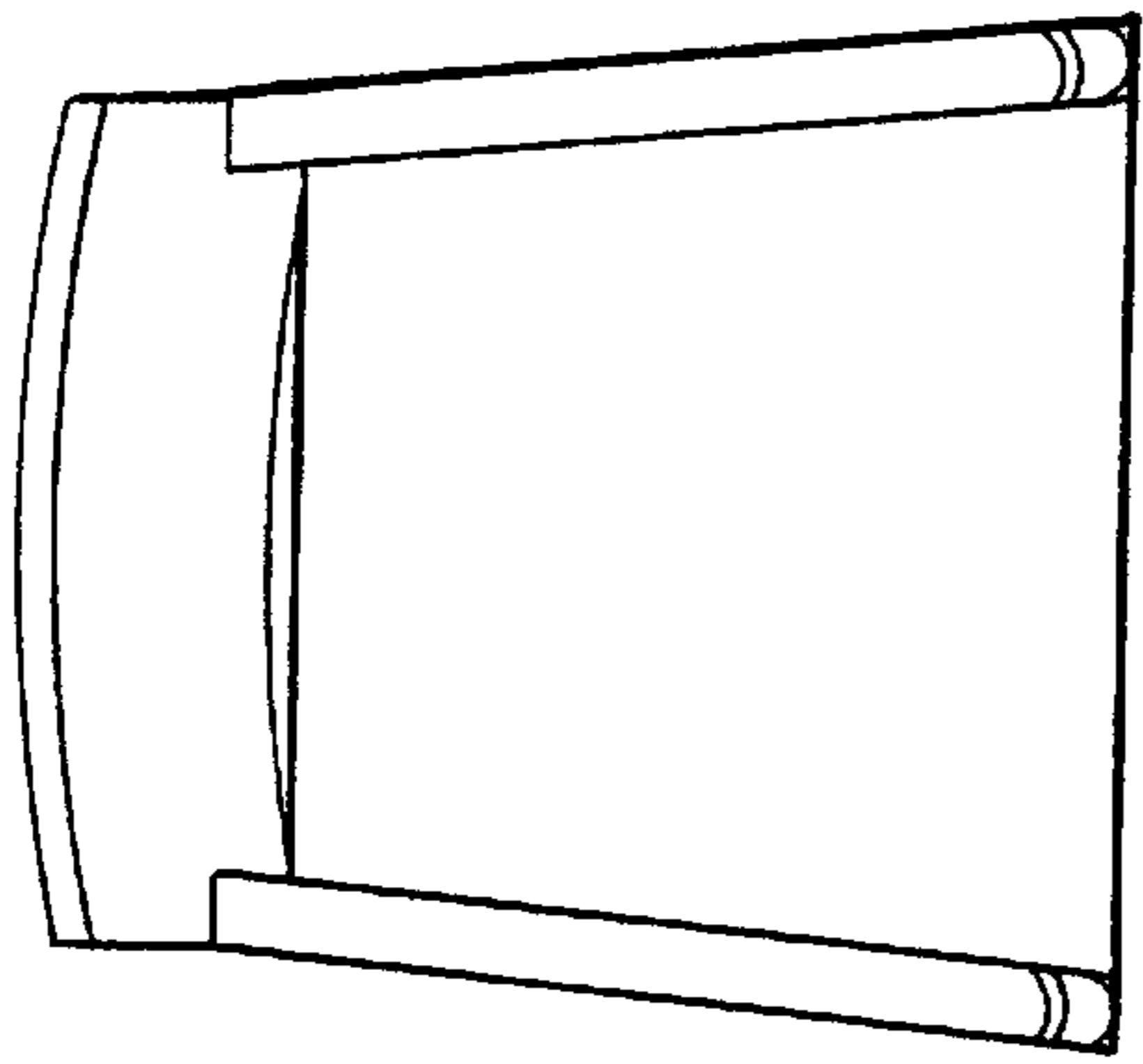


FIG. 1

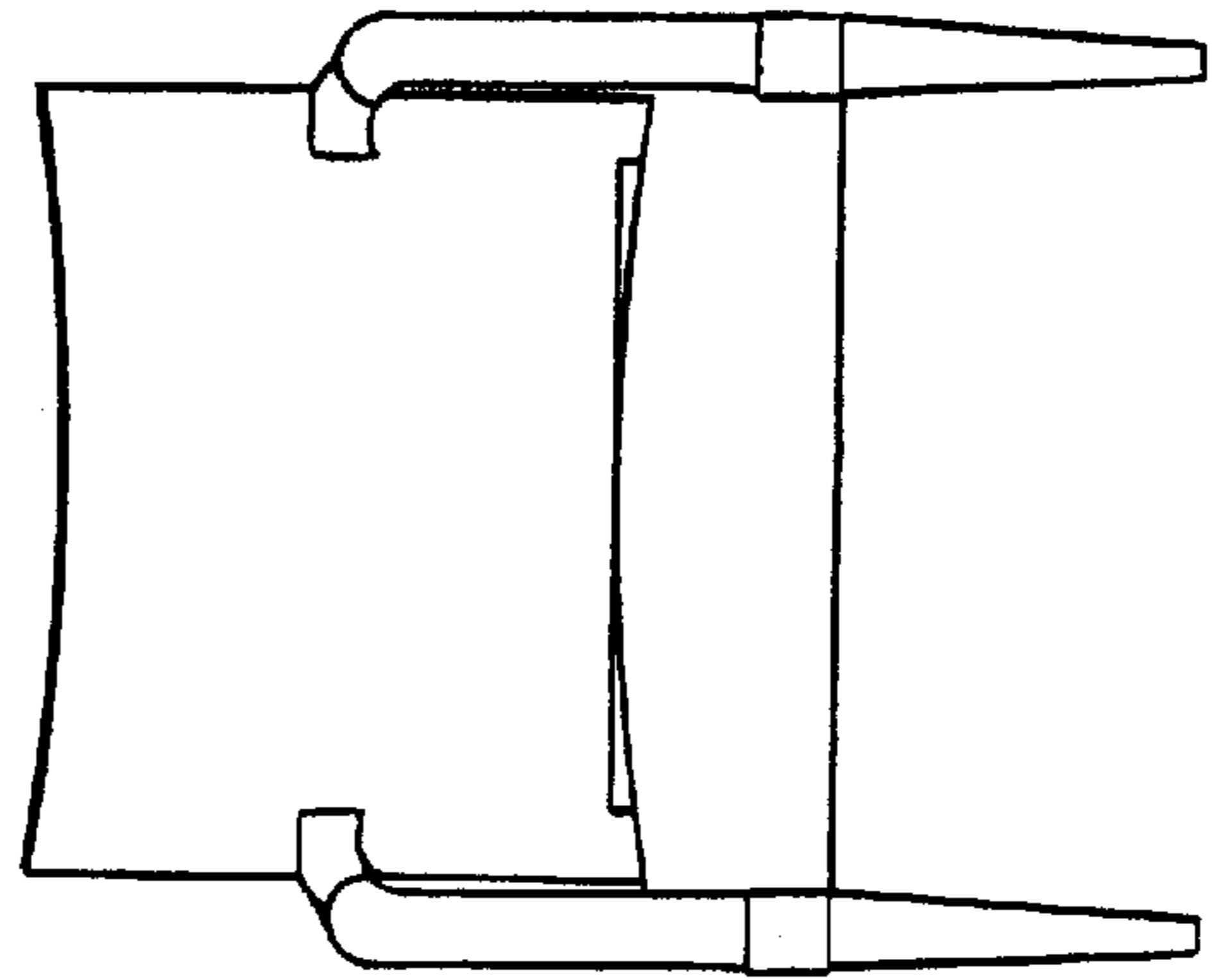


FIG. 4

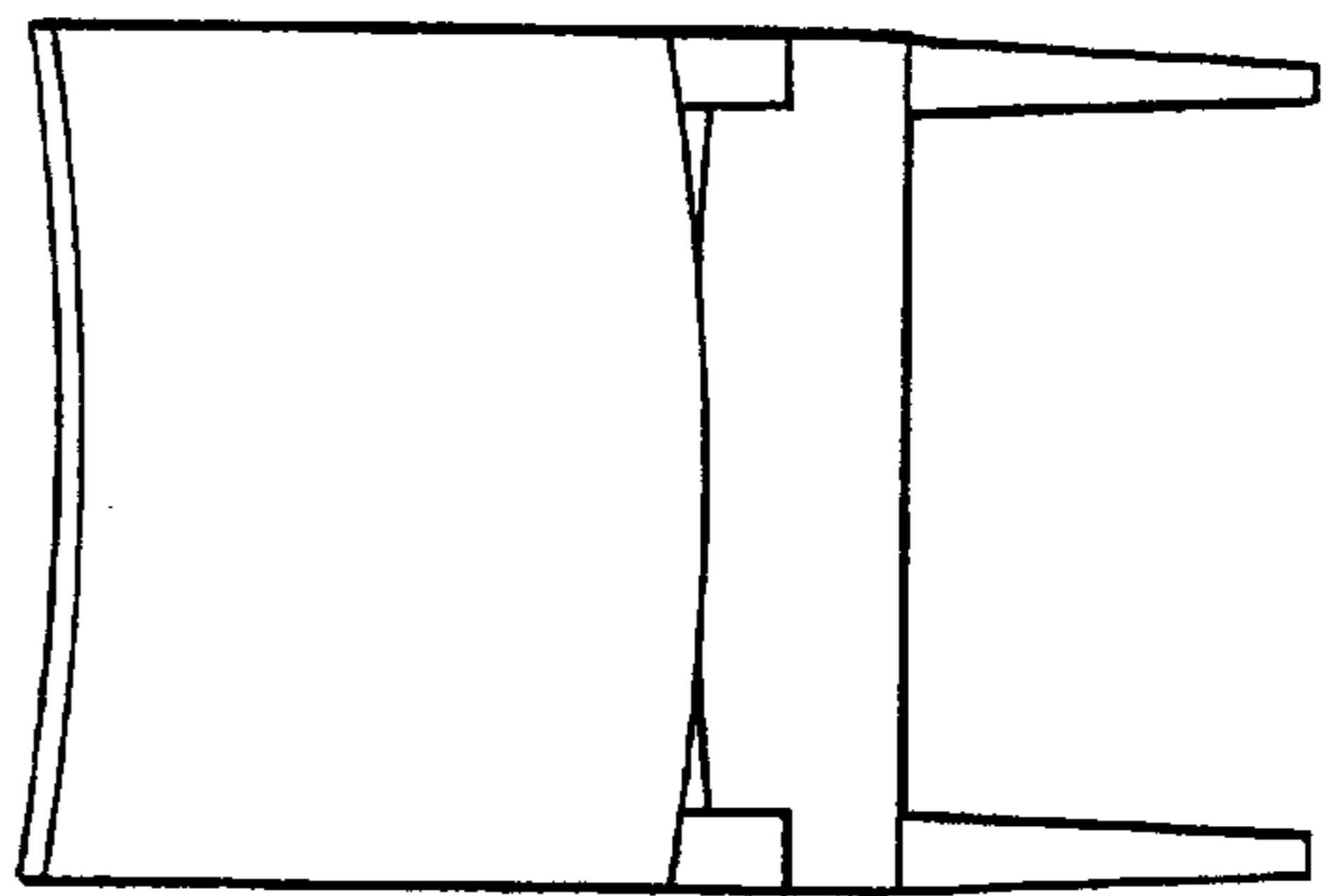


FIG. 2

