



US00D437137S

(12) **United States Design Patent**
Tseng

(10) **Patent No.:** **US D437,137 S**

(45) **Date of Patent:** **** Feb. 6, 2001**

(54) **CHAIR**

D. 425,717 * 5/2000 Tseng D6/369

* cited by examiner

(75) **Inventor:** **Chuen-Jong Tseng, Chiayi Hsien (TW)**

Primary Examiner—Gary D. Watson

(74) *Attorney, Agent, or Firm*—Ladas & Parry

(73) **Assignee:** **Shin Yeh Enterprise Co., Ltd., Chiayi Hsien (TW)**

(57) **CLAIM**

The ornamental design for chair, as shown and described.

(**) **Term:** **14 Years**

DESCRIPTION

(21) **Appl. No.:** **29/120,857**

FIG. 1 is a perspective view of chair showing our new design;

(22) **Filed:** **Mar. 28, 2000**

FIG. 2 is a front elevational view thereof;

(51) **LOC (7) Cl.** **06-01**

FIG. 3 is a rear elevational view thereof;

(52) **U.S. Cl.** **D6/372; D6/376; D6/379; D6/380**

FIG. 4 is a left side elevational view thereof;

(58) **Field of Search** D6/334, 369, 370, D6/372, 374, 376, 379, 380, 500, 501, 502; 297/445.1, 451.3, 451.7, 452.63

FIG. 5 is a right side elevational view thereof;

FIG. 6 is a top plan view thereof; and

FIG. 7 is a bottom plan view thereof.

(56) **References Cited**

FIG. 8 is a perspective view of a second embodiment of that shown in FIG. 1;

FIG. 9 is a front elevational view thereof;

FIG. 10 is a rear elevational view thereof;

FIG. 11 is a left side elevational view thereof;

FIG. 12 is a right side elevational view thereof;

FIG. 13 is a top plan view thereof; and,

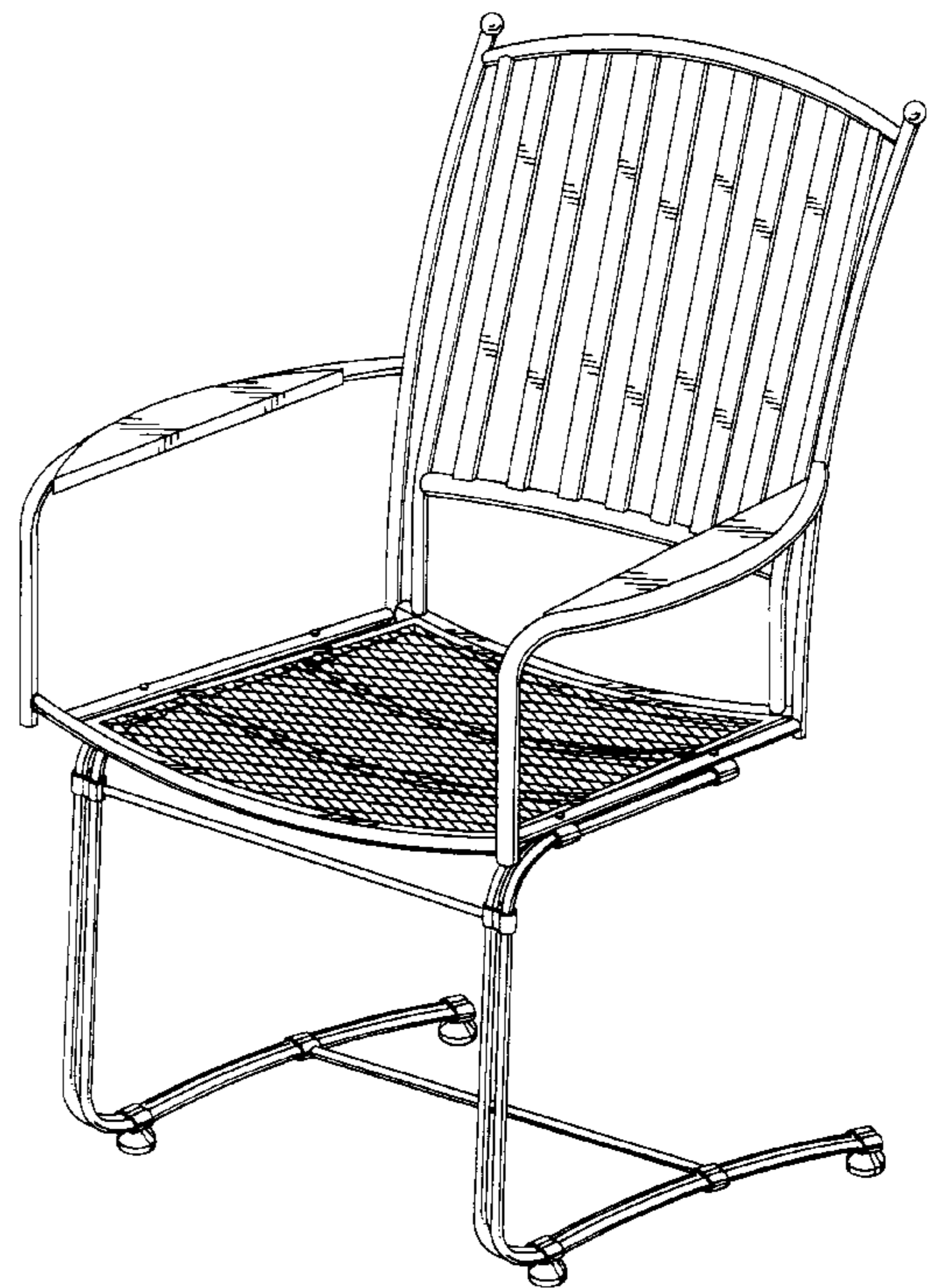
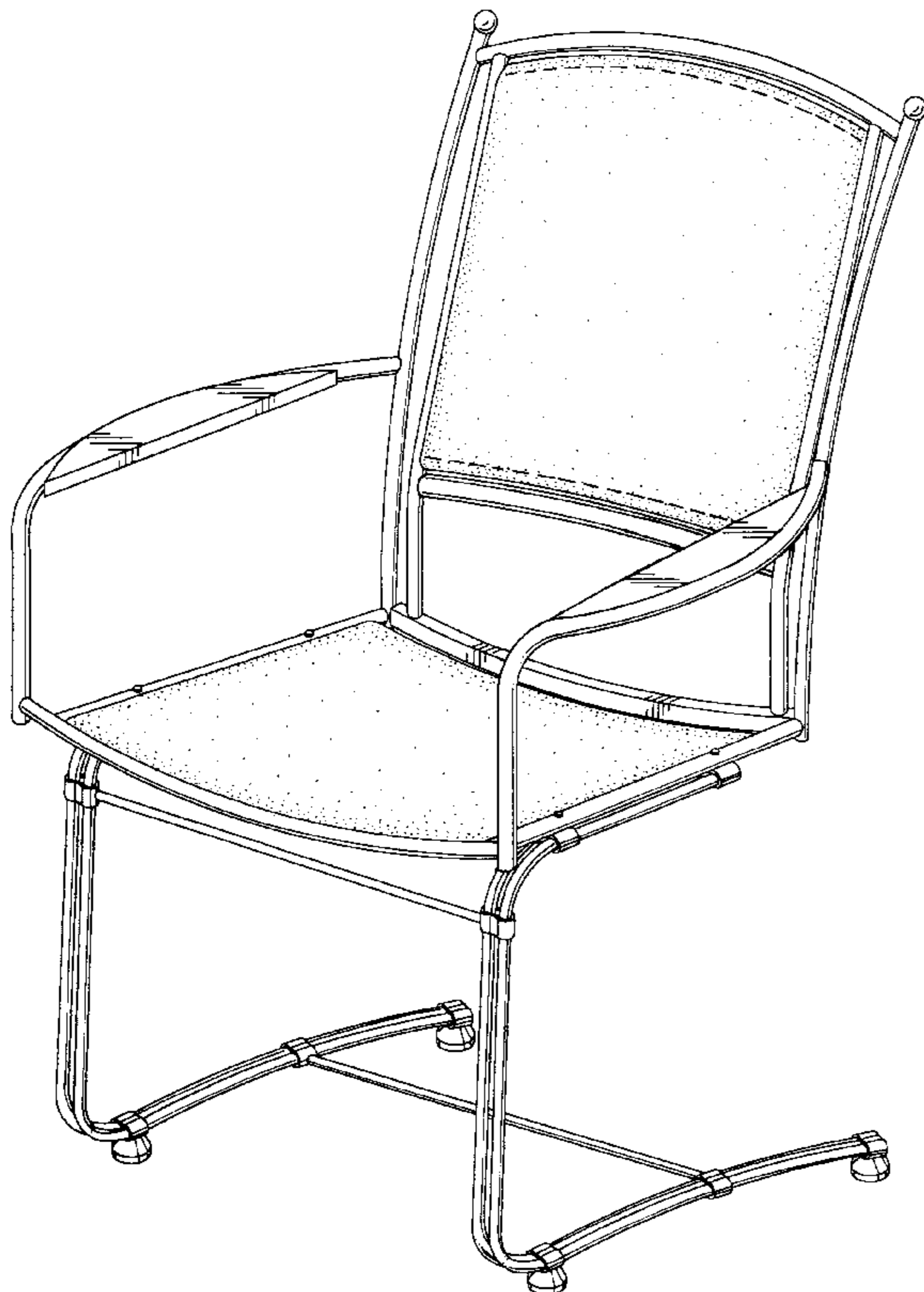
FIG. 14 is a bottom plan view thereof.

U.S. PATENT DOCUMENTS

- D. 269,744 * 7/1983 Wallace D6/372
- D. 278,286 * 4/1985 Lowrey D6/372
- D. 284,813 * 7/1986 Shaw et al. D6/372
- D. 322,899 * 1/1992 Hess D6/376
- D. 328,531 * 8/1992 Citterio D6/372
- D. 340,365 * 10/1993 Hess D6/370
- D. 396,571 * 8/1998 Diramarian D6/380

The broken lines shown on the seat and backrest in the first embodiment are understood to represent stitching.

1 Claim, 8 Drawing Sheets



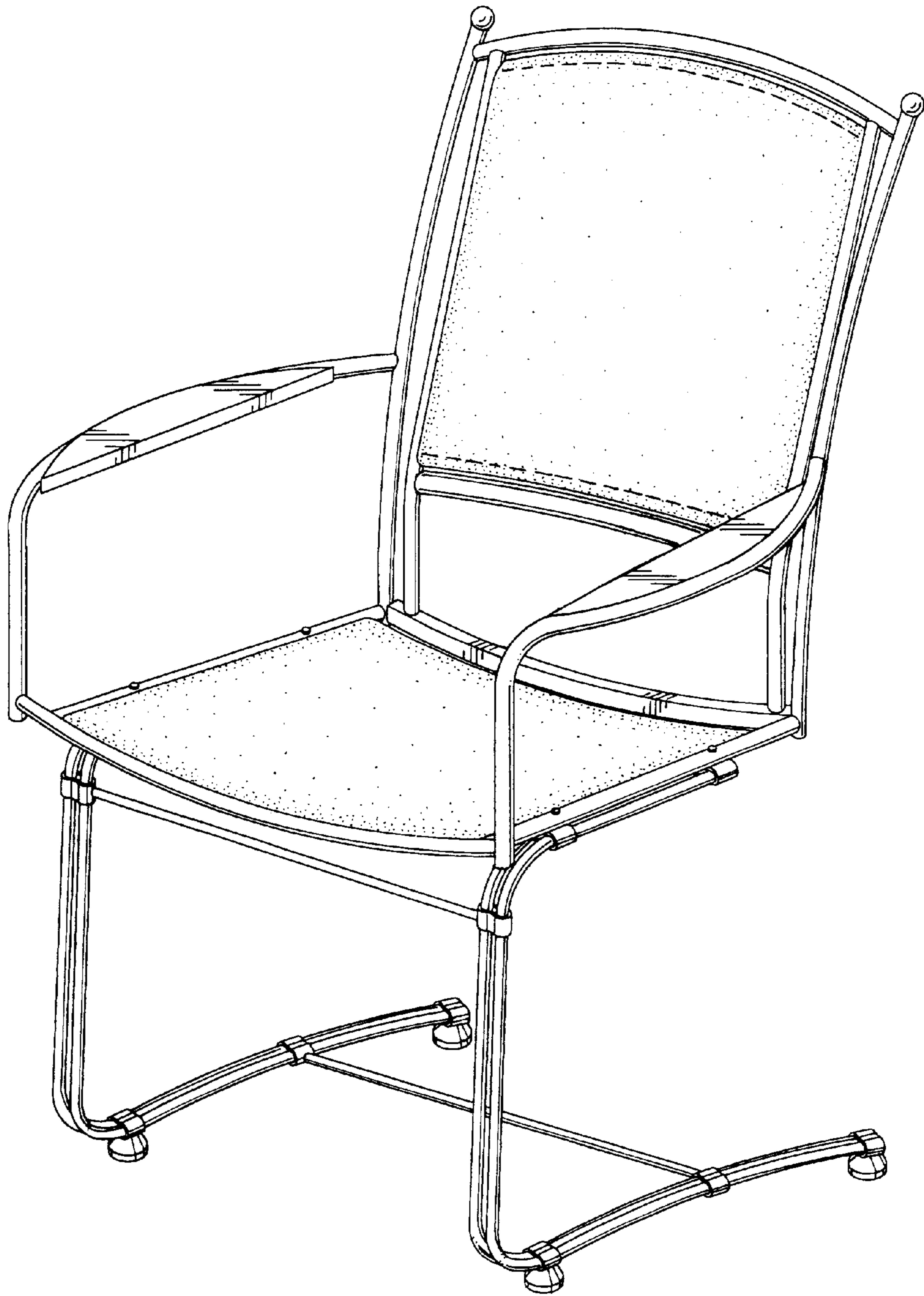


FIG. 1

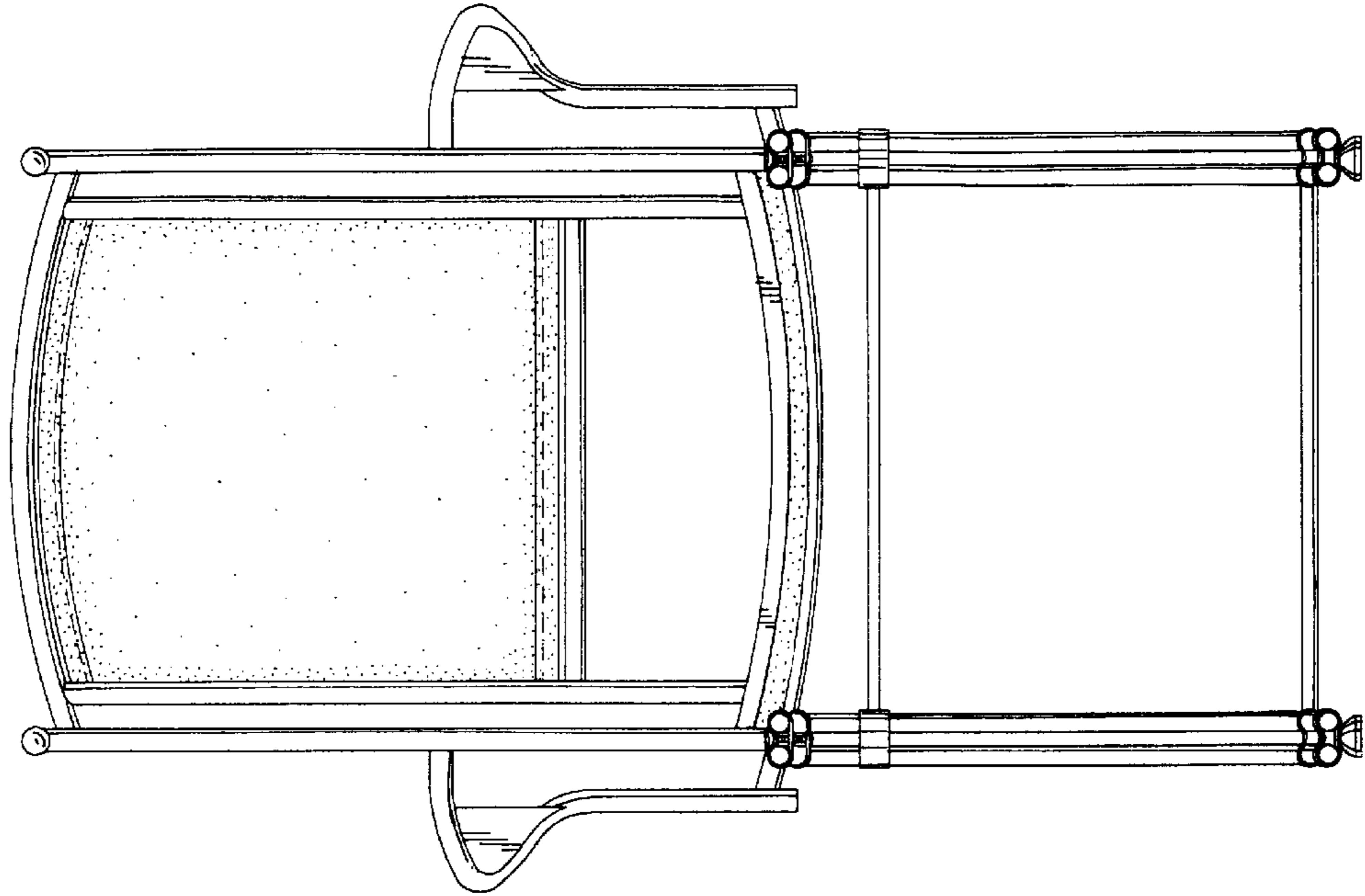


FIG. 2

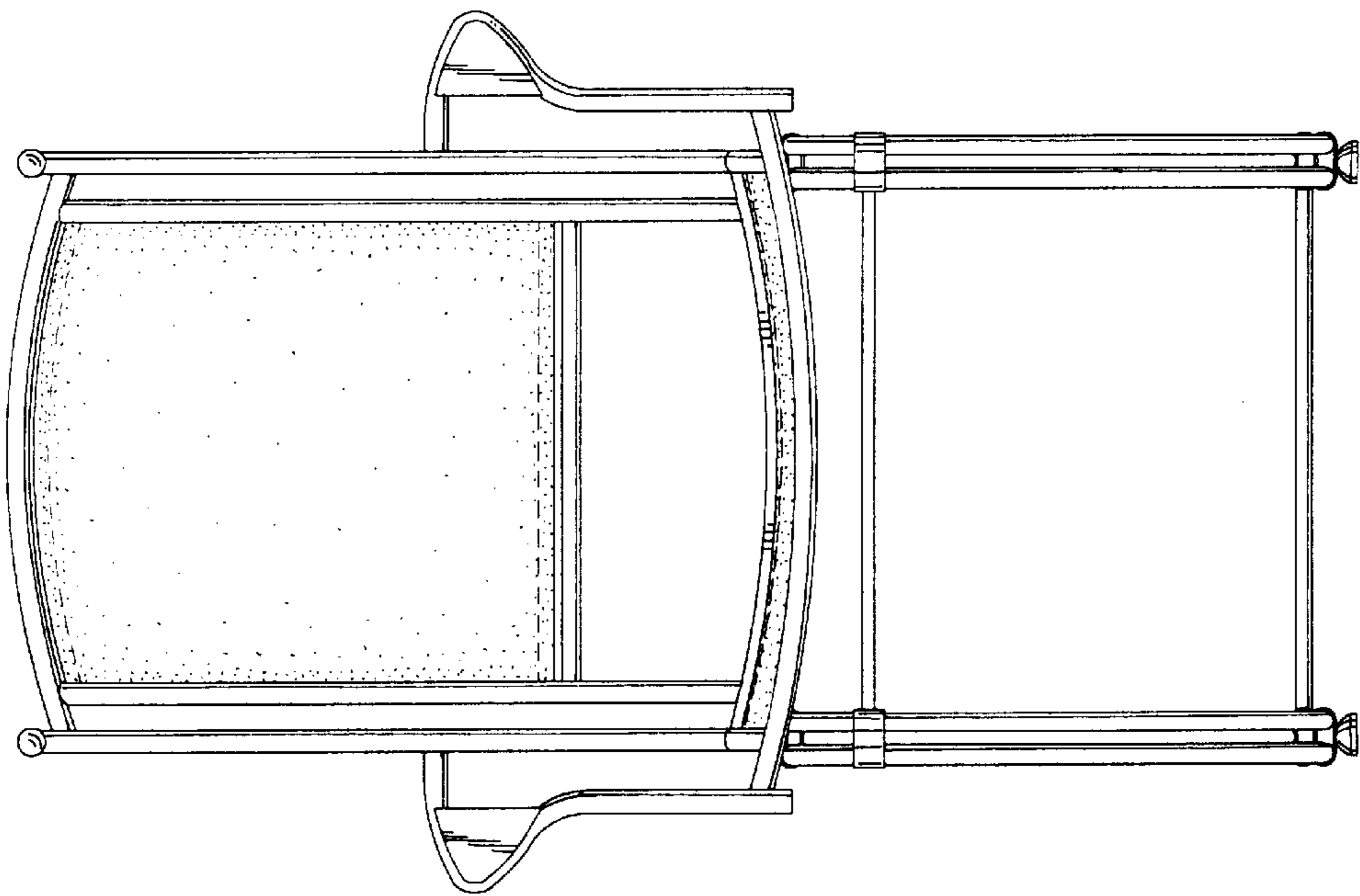


FIG. 3

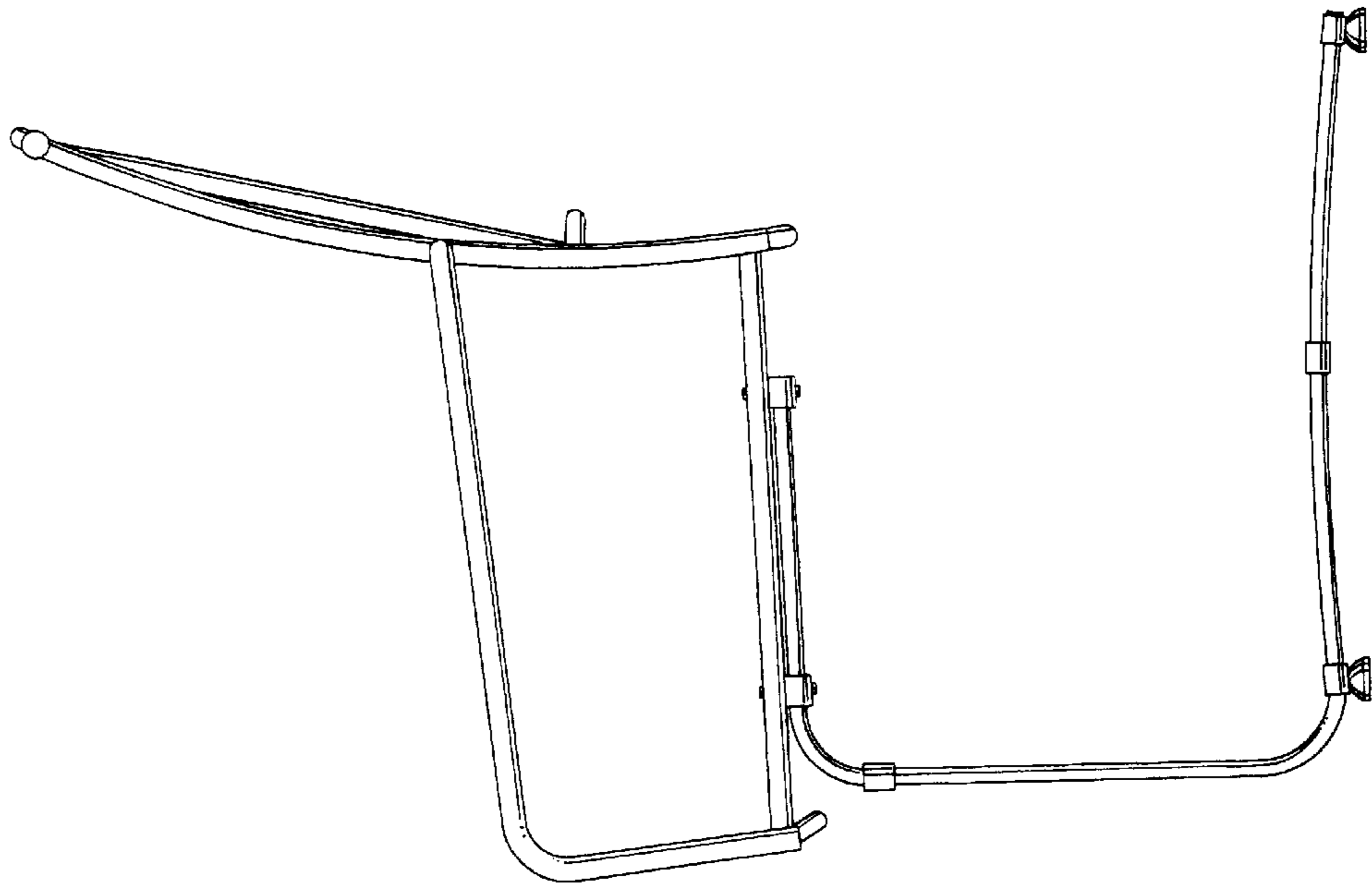


FIG. 5

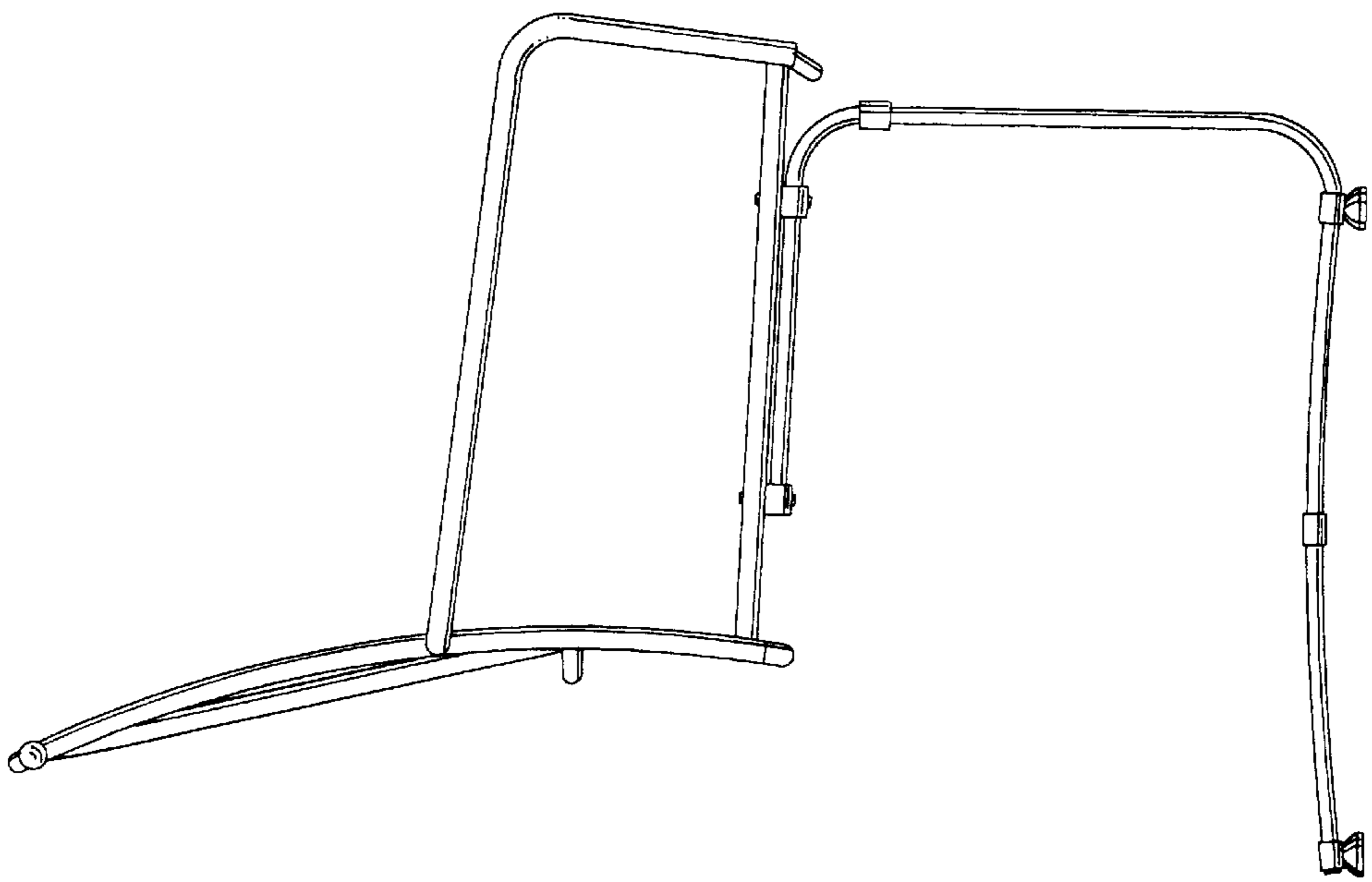


FIG. 4

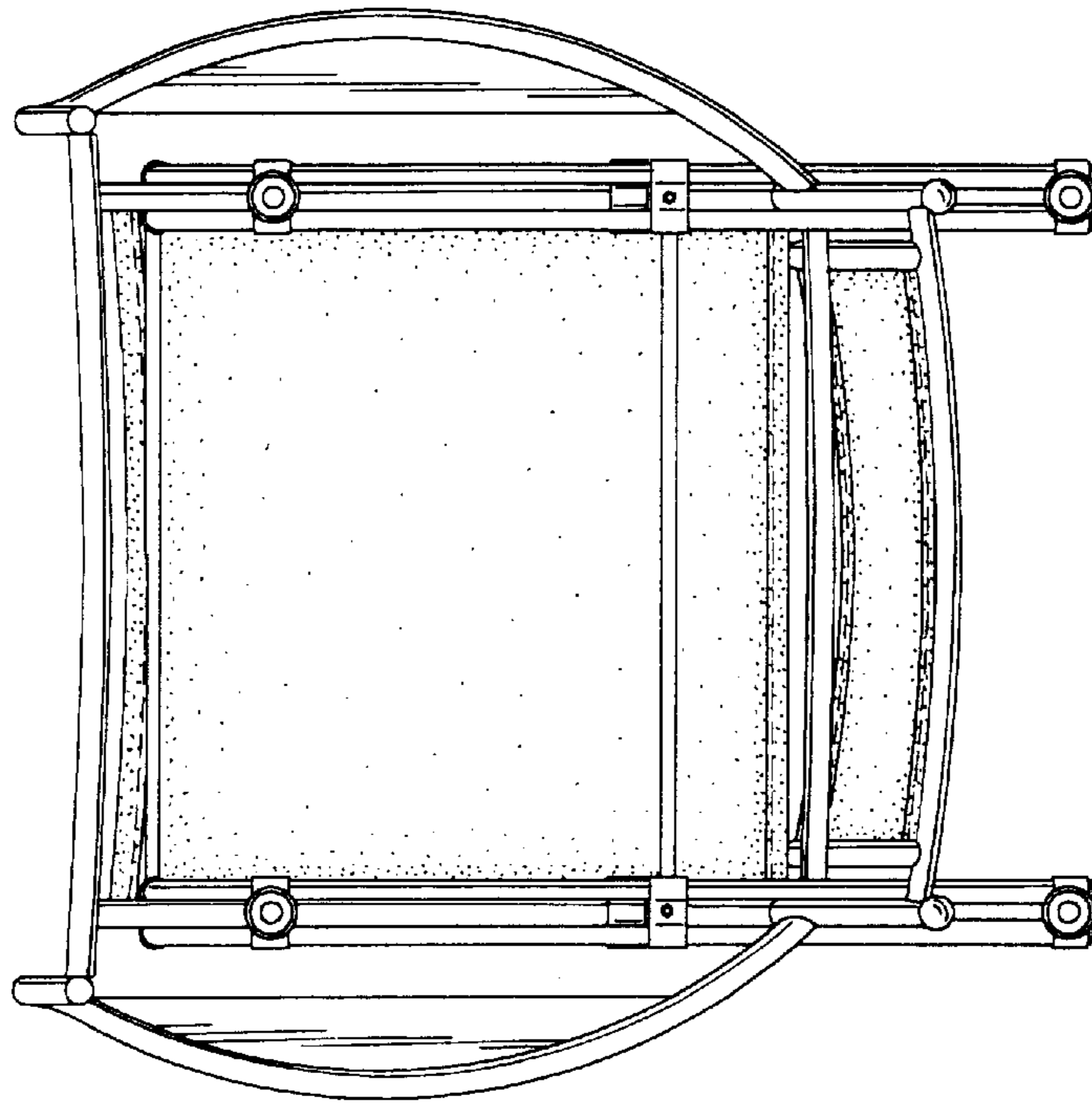


FIG. 7

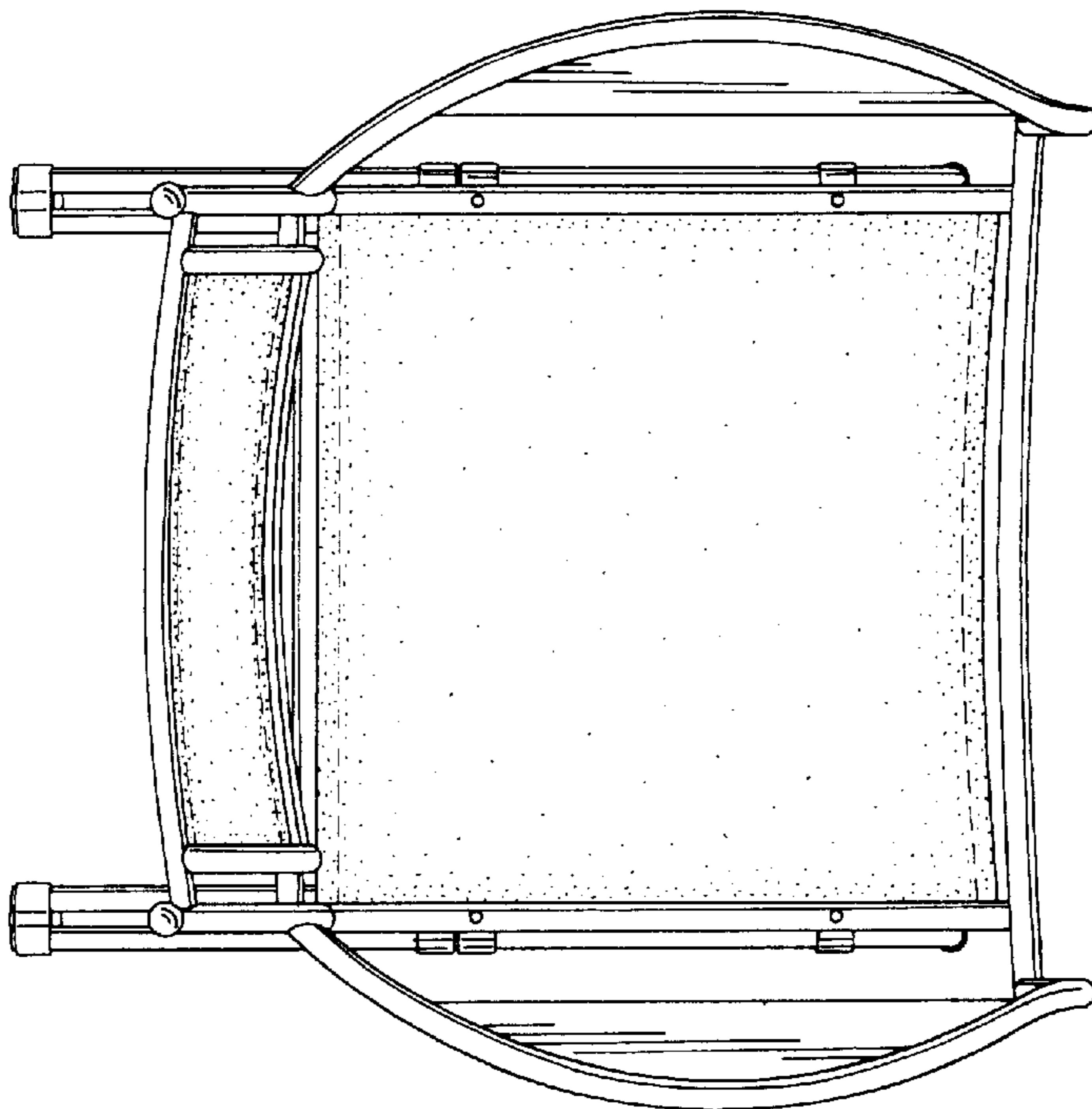


FIG. 6

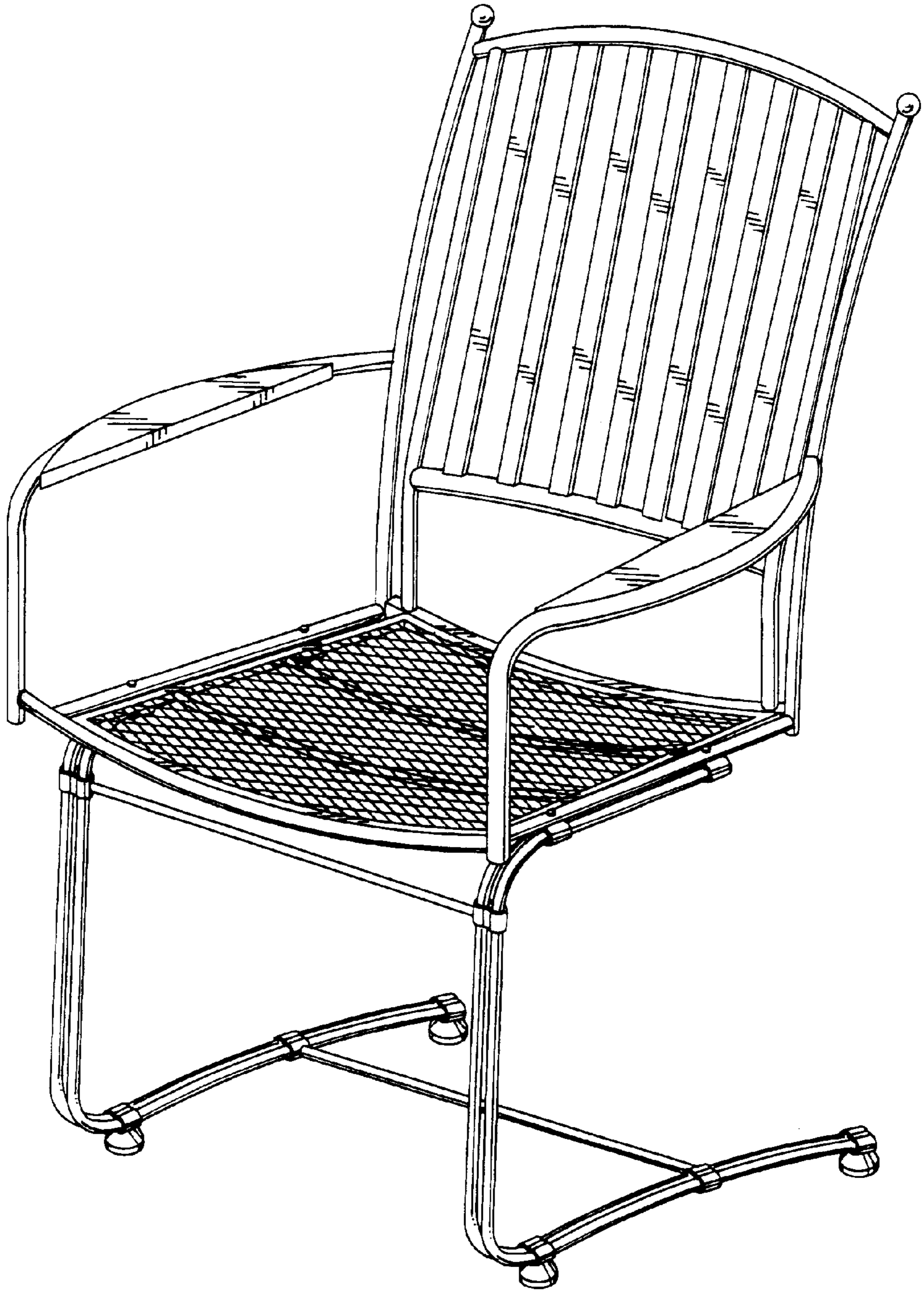


FIG. 8

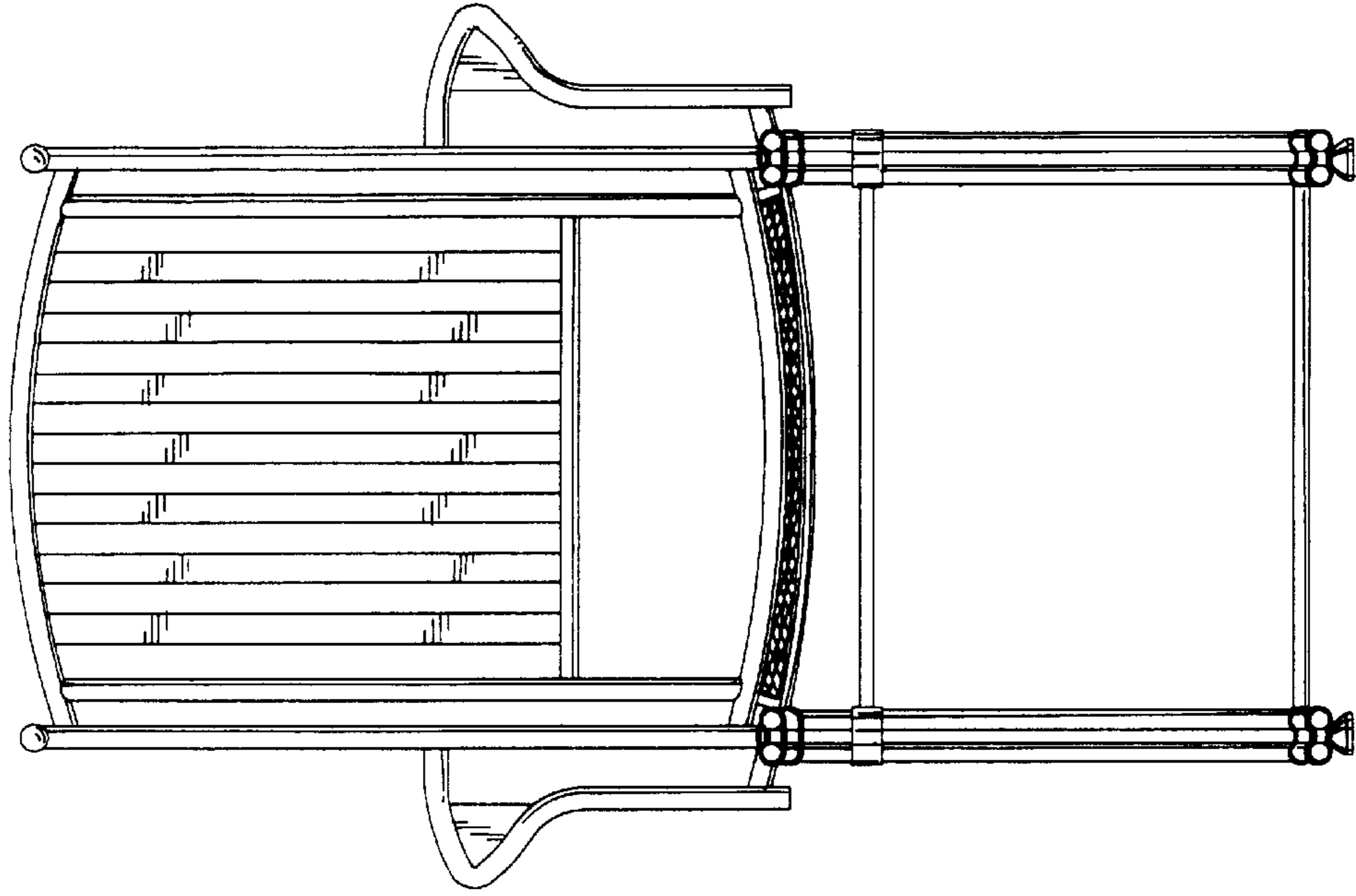


FIG. 10

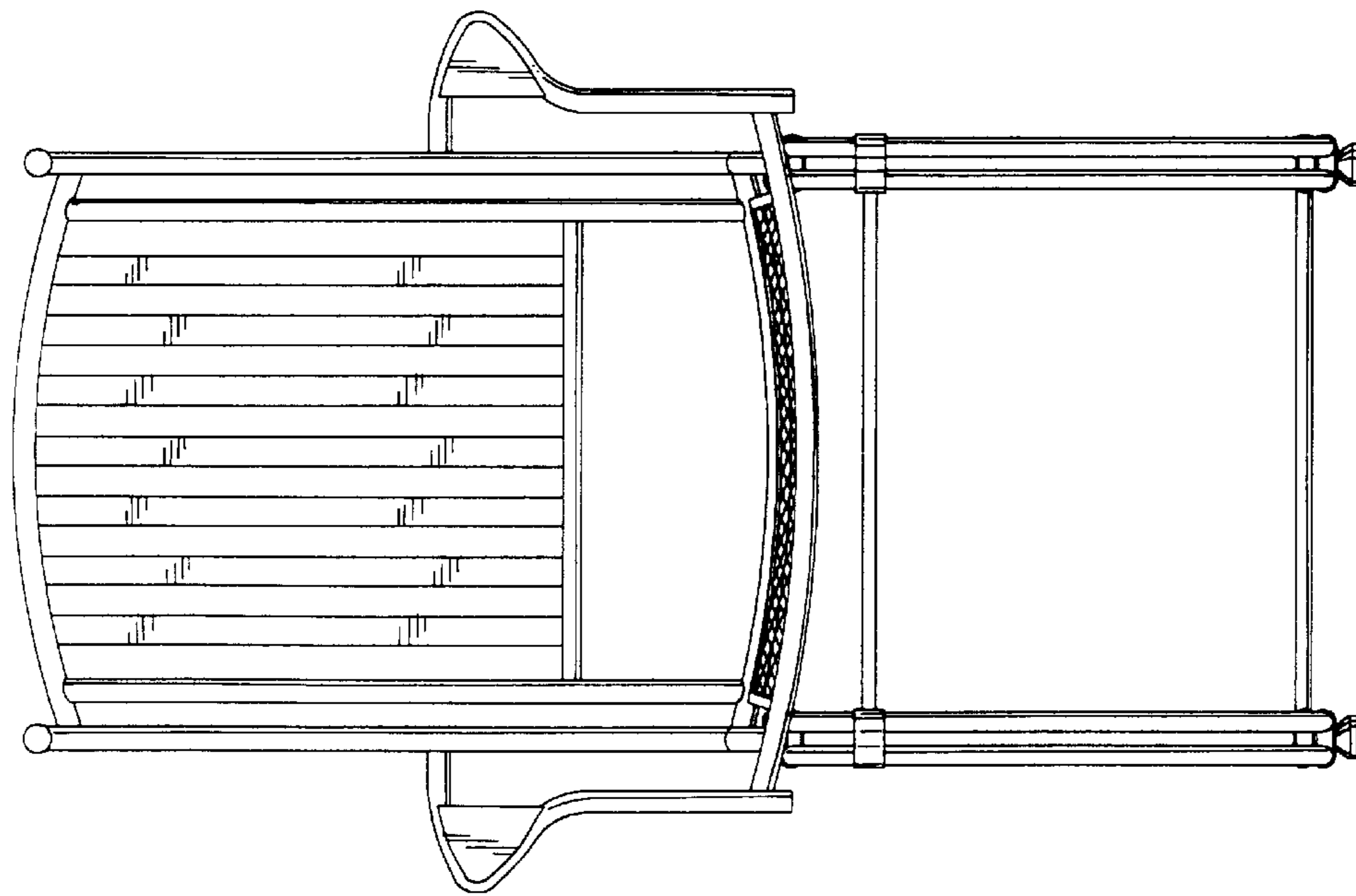


FIG. 9

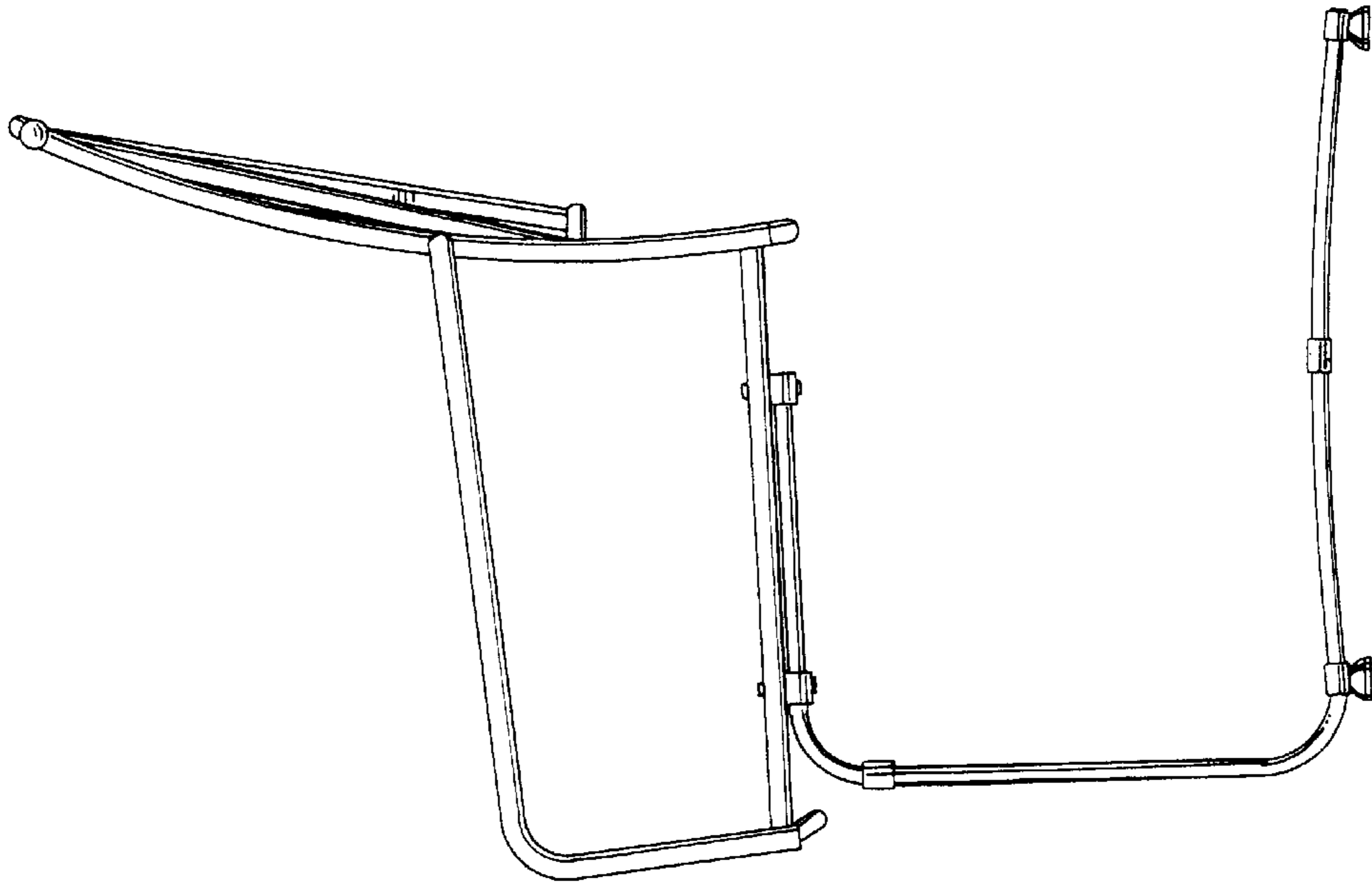


FIG. 11

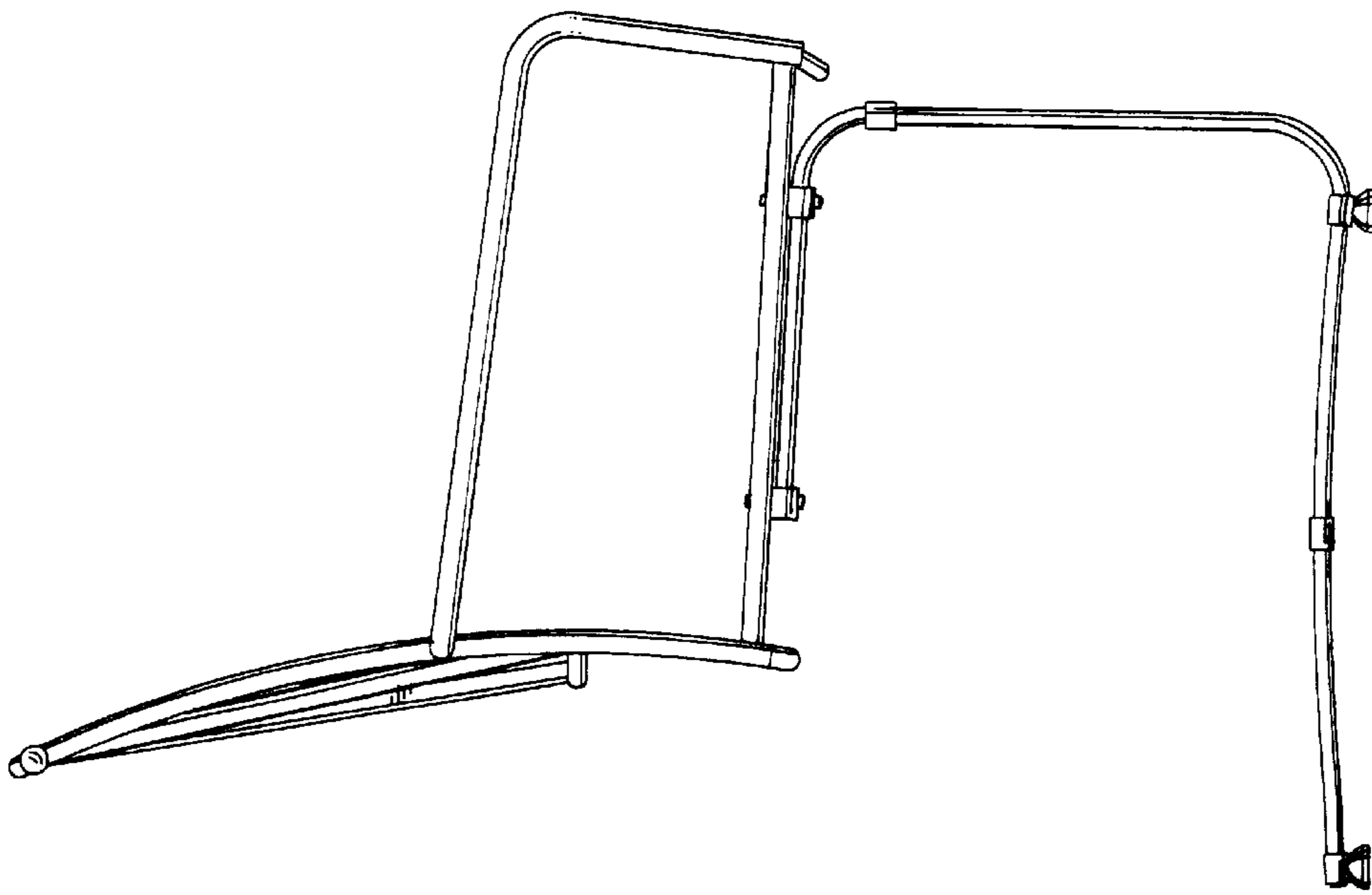


FIG. 12

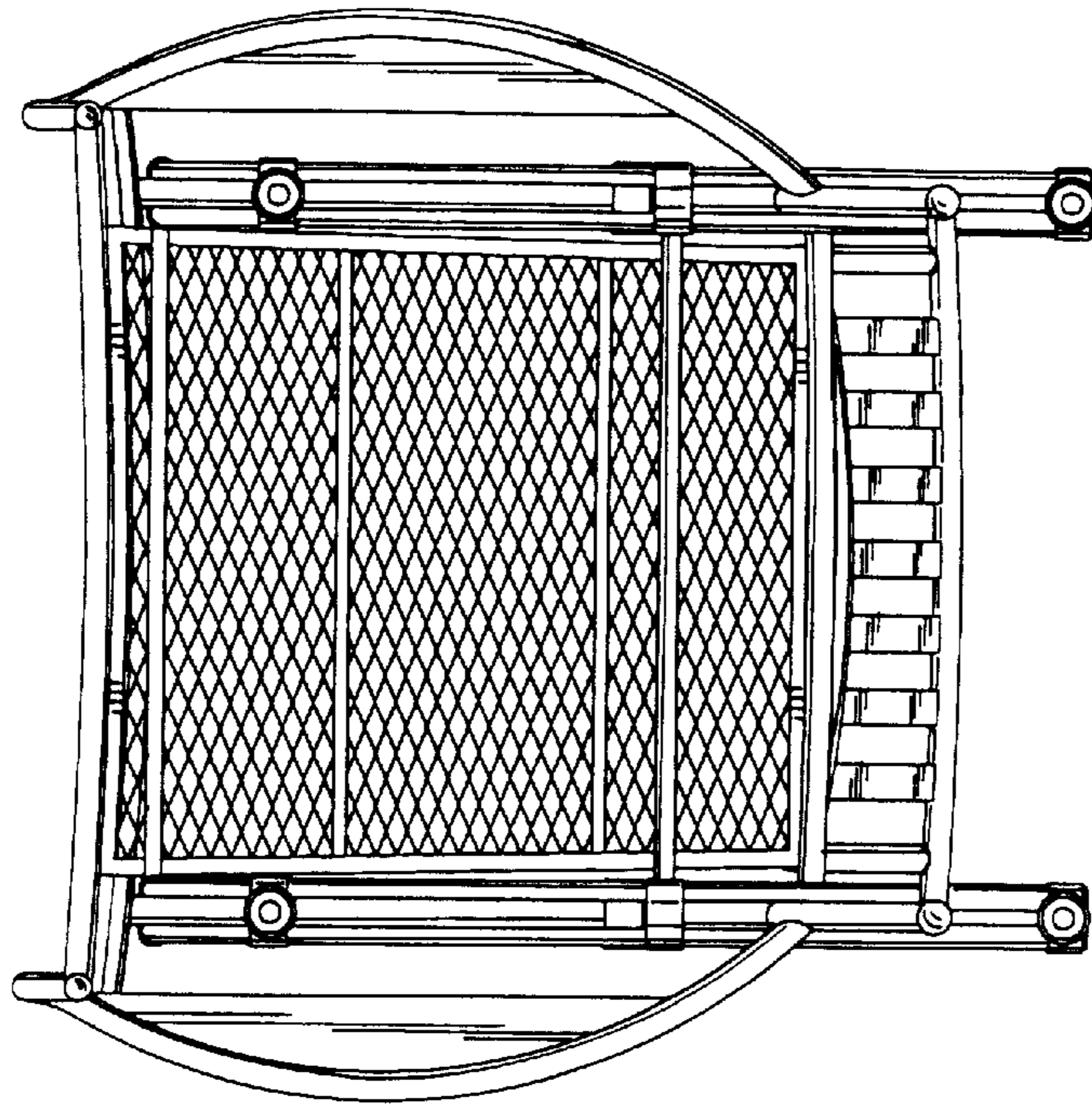


FIG. 14

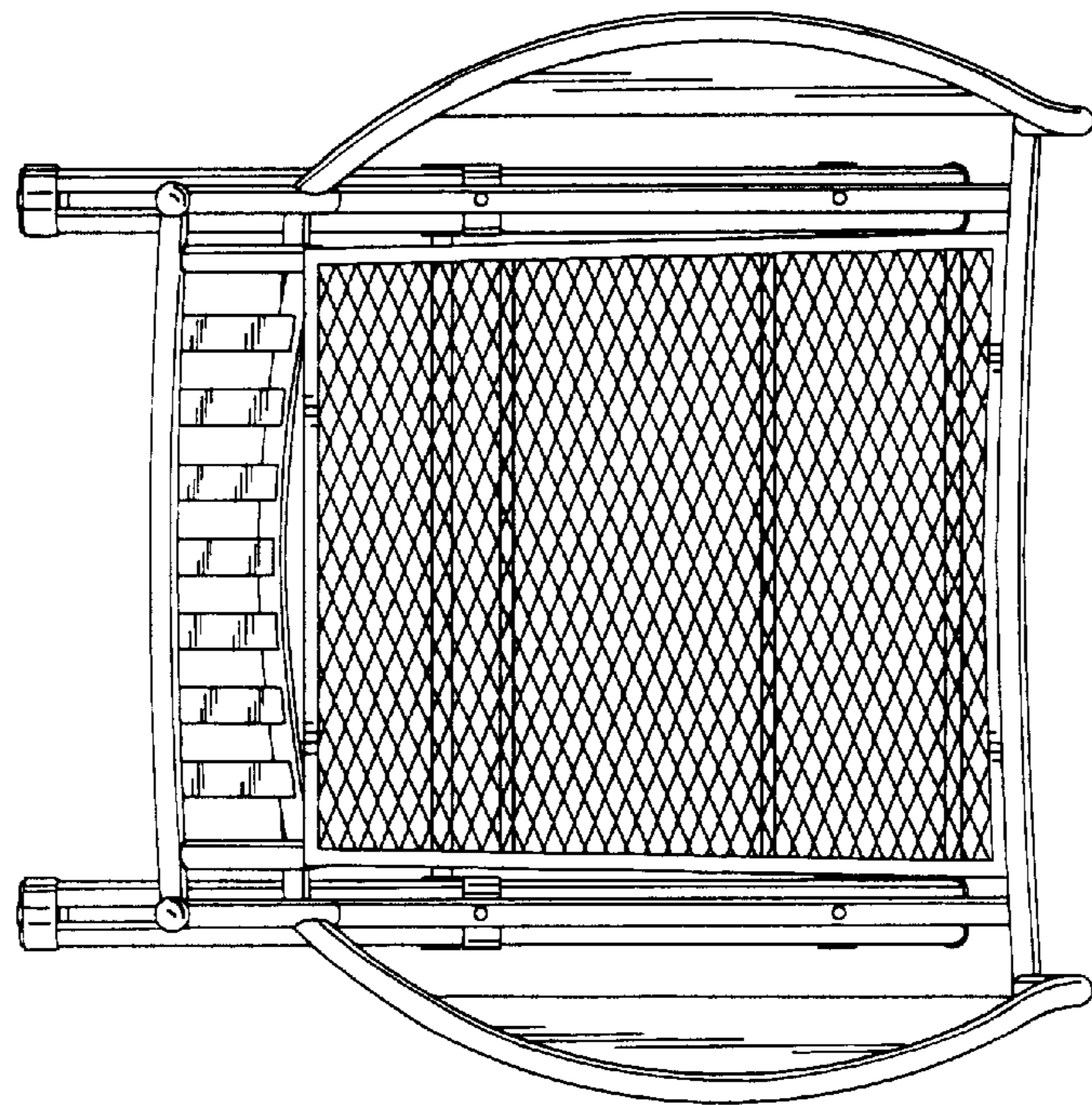


FIG. 13