



US00D437136S

(12) **United States Design Patent**
Tseng

(10) **Patent No.:** **US D437,136 S**

(45) **Date of Patent:** **** Feb. 6, 2001**

(54) **CHAIR**

D. 420,824 * 2/2000 Lin D6/370

(75) Inventor: **Chuen-Jong Tseng, Chiayi Hsien (TW)**

* cited by examiner

(73) Assignee: **Shin Yeh Enterprise Co., Ltd. (TW)**

Primary Examiner—Gary D. Watson

(**) Term: **14 Years**

(74) *Attorney, Agent, or Firm*—Ladas & Parry

(21) Appl. No.: **29/120,371**

(57) **CLAIM**

The ornamental design for chair, as shown and described.

(22) Filed: **Mar. 17, 2000**

DESCRIPTION

(51) **LOC (7) Cl.** **06-01**

(52) **U.S. Cl.** **D6/370**

(58) **Field of Search** D6/334, 370, 374,
D6/375, 376, 379, 380; 297/445.1, 448.1,
452.63

FIG. 1 is a perspective view of chair showing my new design;

FIG. 2 is a front elevational view thereof;

FIG. 3 is a rear elevational view thereof;

FIG. 4 is a left side elevational view thereof;

FIG. 5 is a right side elevational view thereof;

FIG. 6 is a top plan view thereof; and,

FIG. 7 is a bottom plan view thereof.

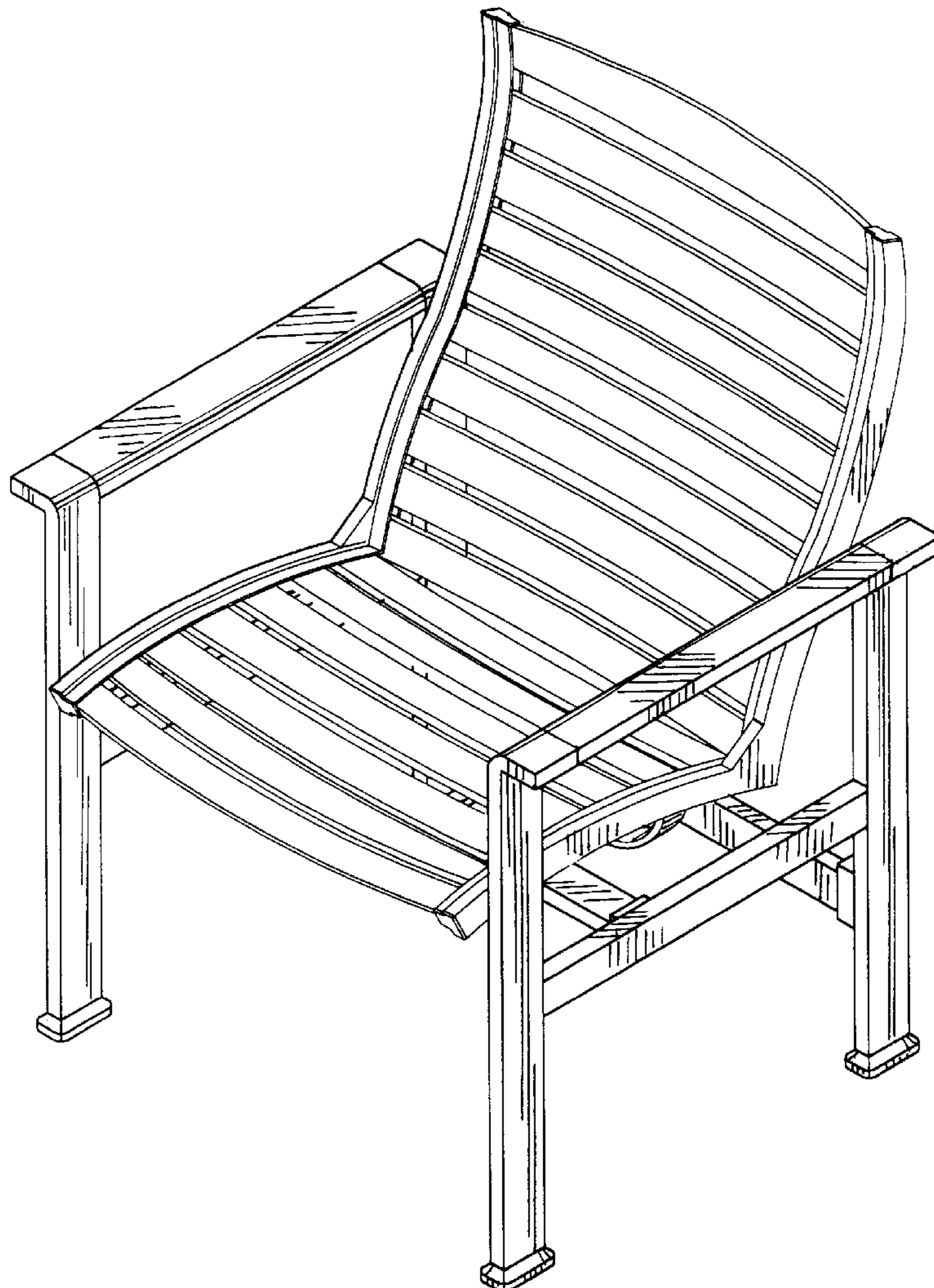
(56) **References Cited**

U.S. PATENT DOCUMENTS

D. 34,511 * 5/1901 Robinson D6/370

D. 137,587 * 4/1944 Harasty D6/370

1 Claim, 4 Drawing Sheets



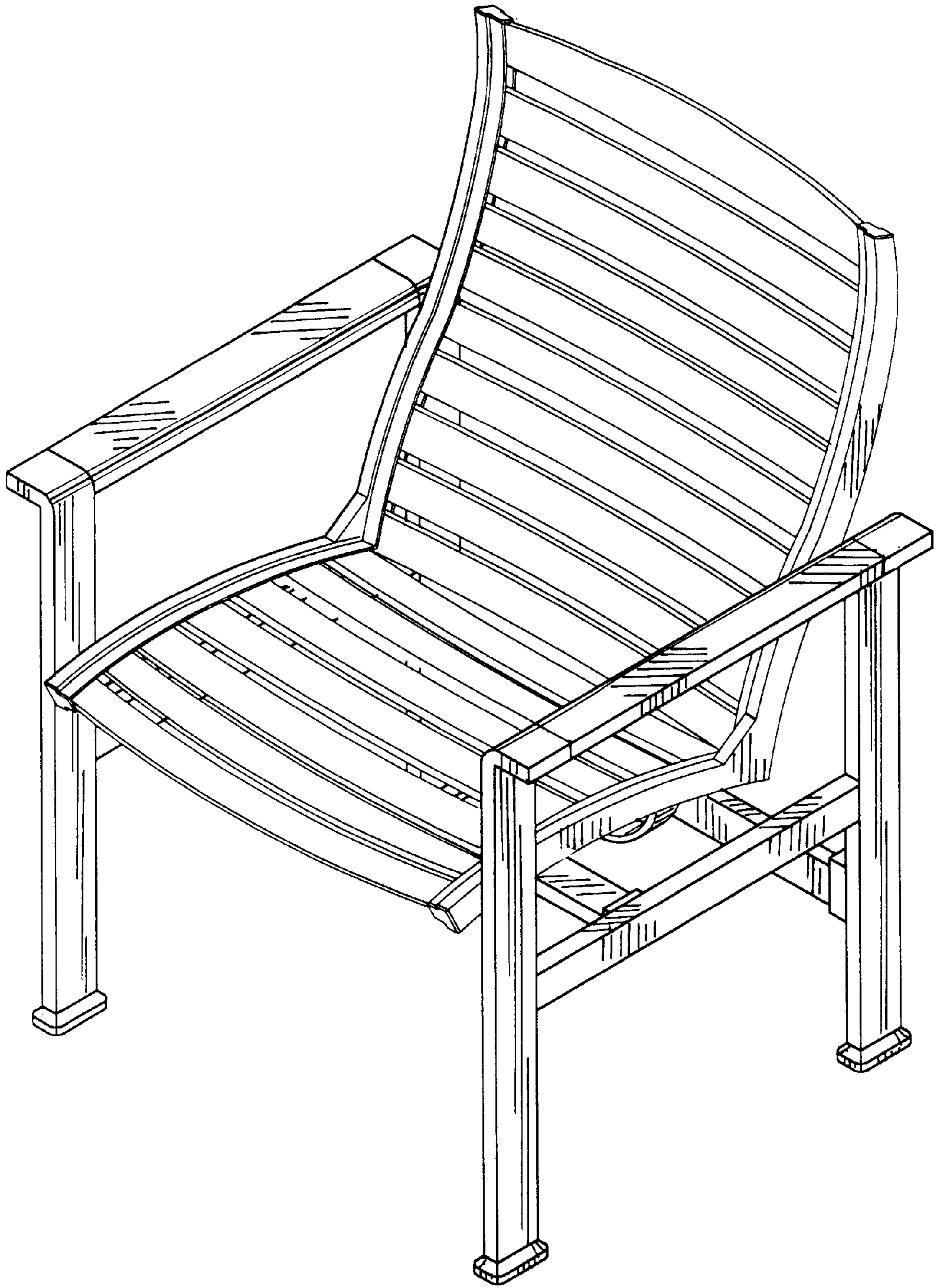


FIG. 1

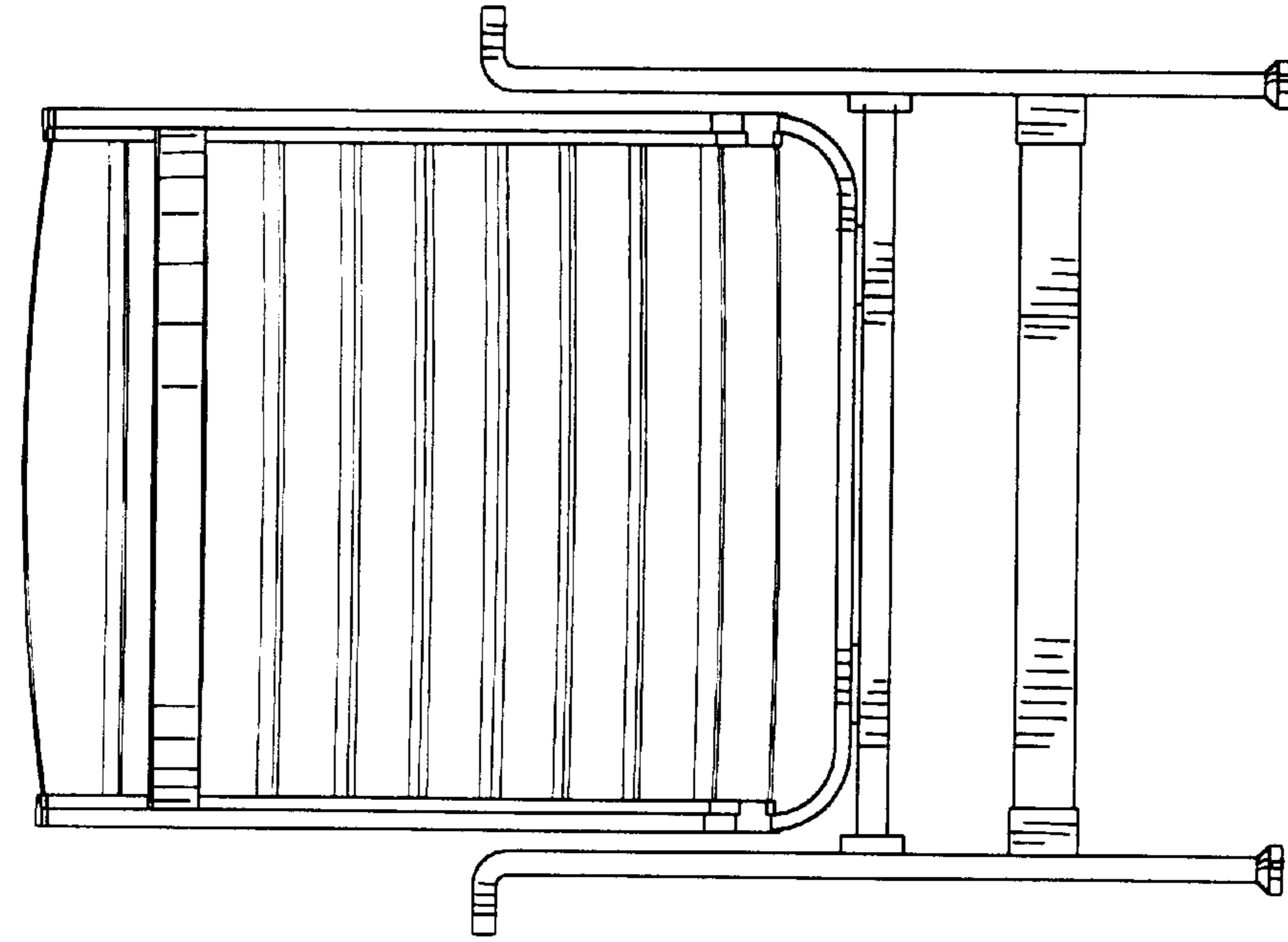


FIG. 2

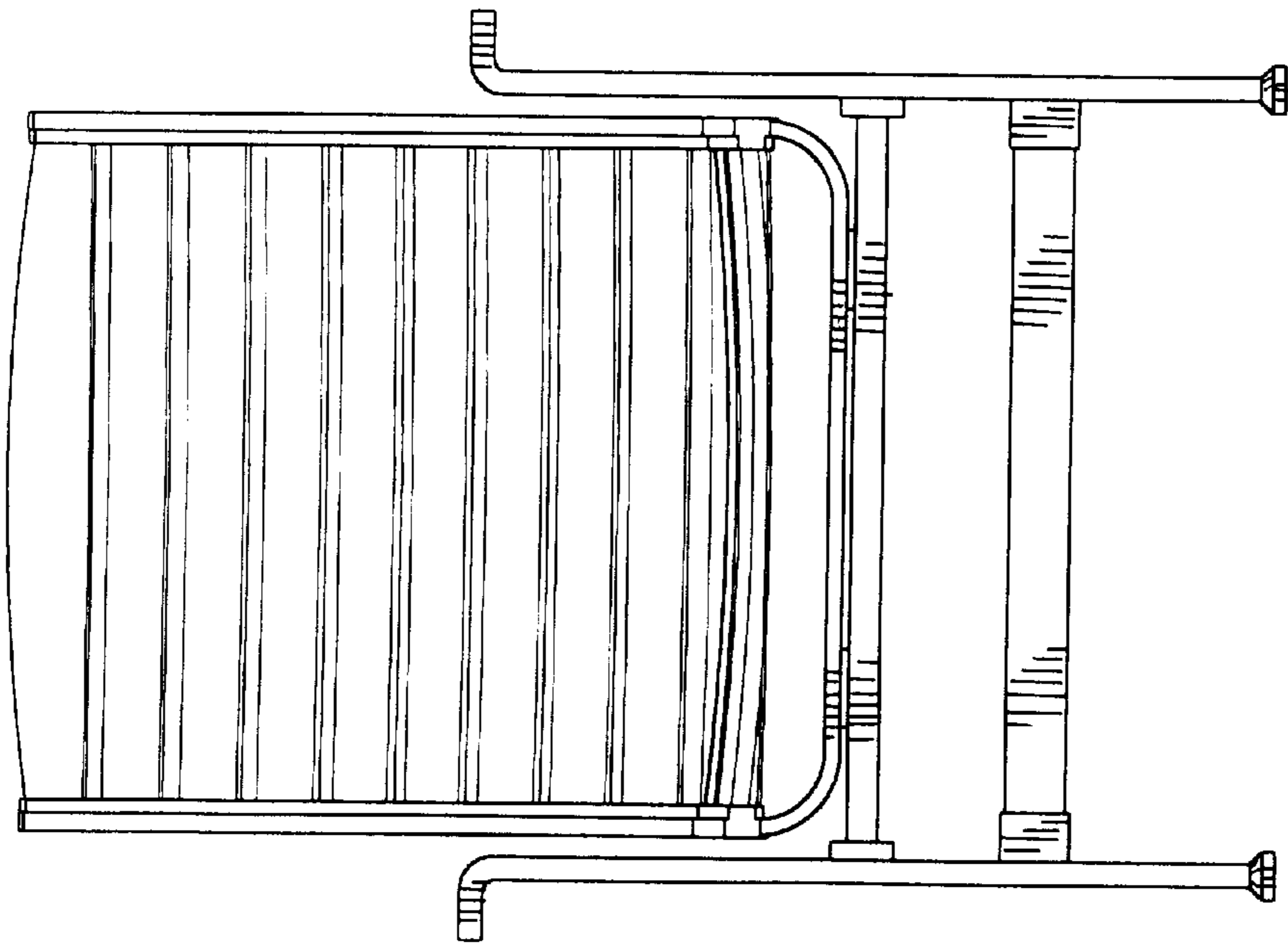


FIG. 3

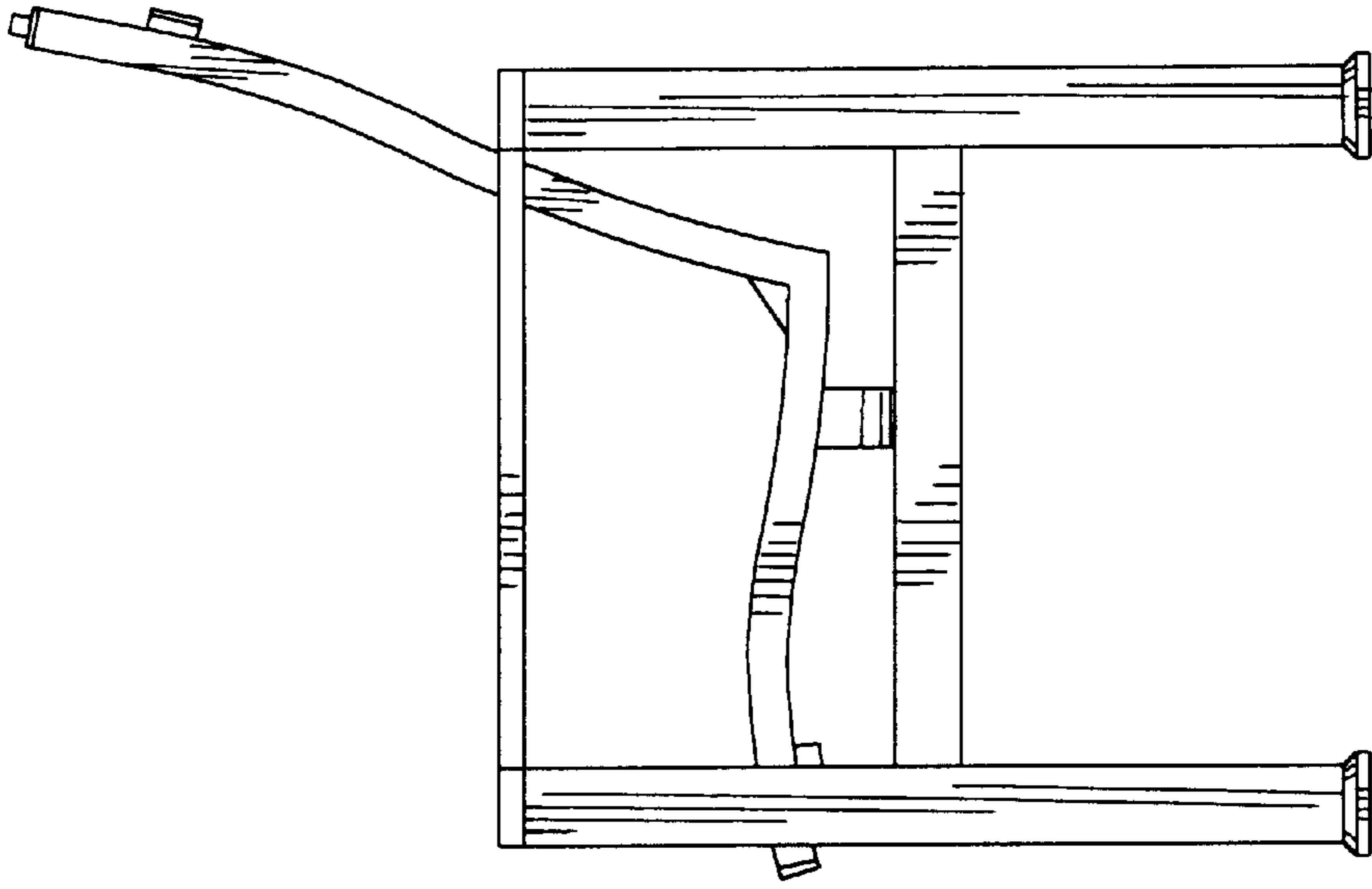


FIG. 5

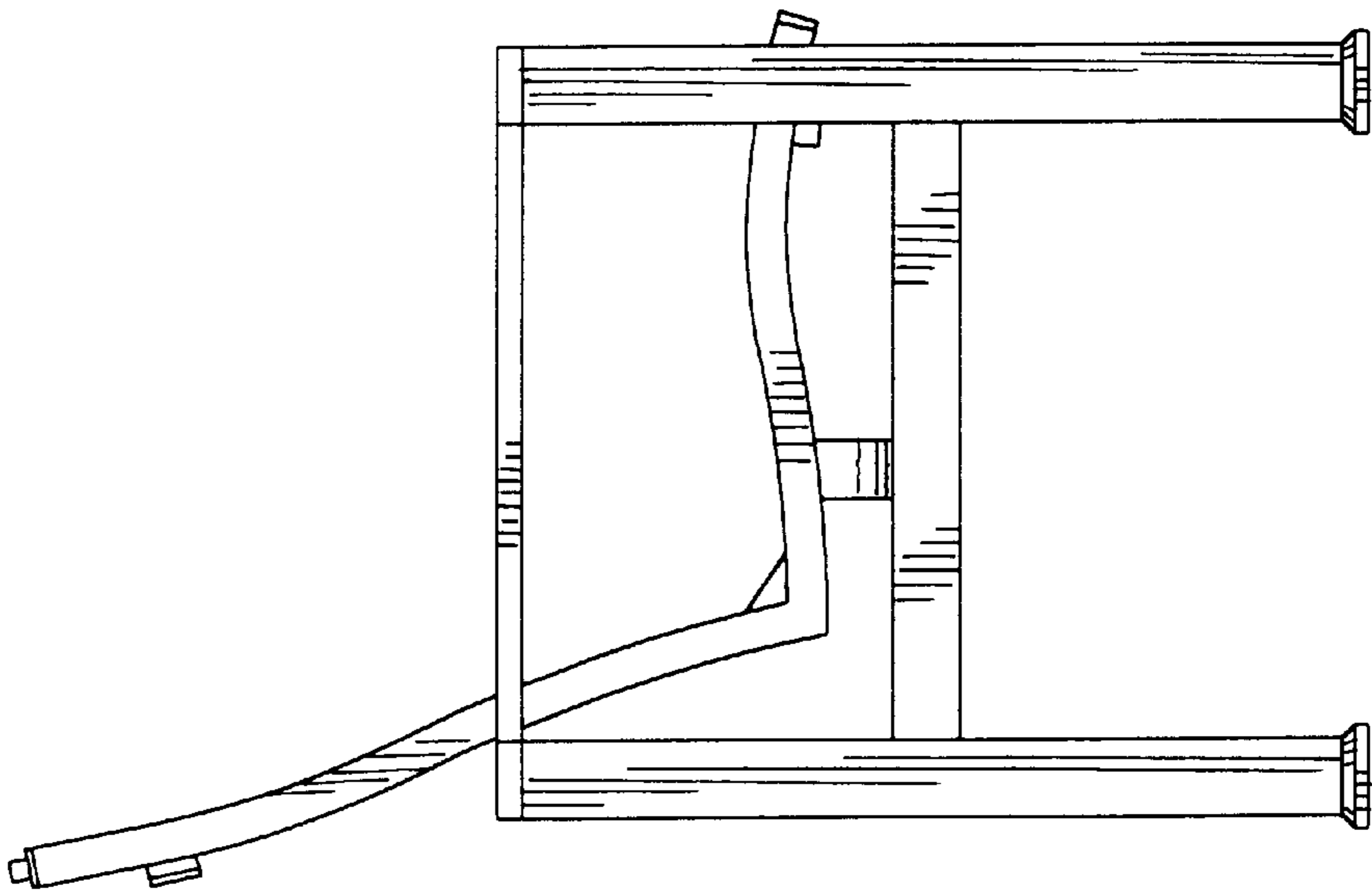


FIG. 4

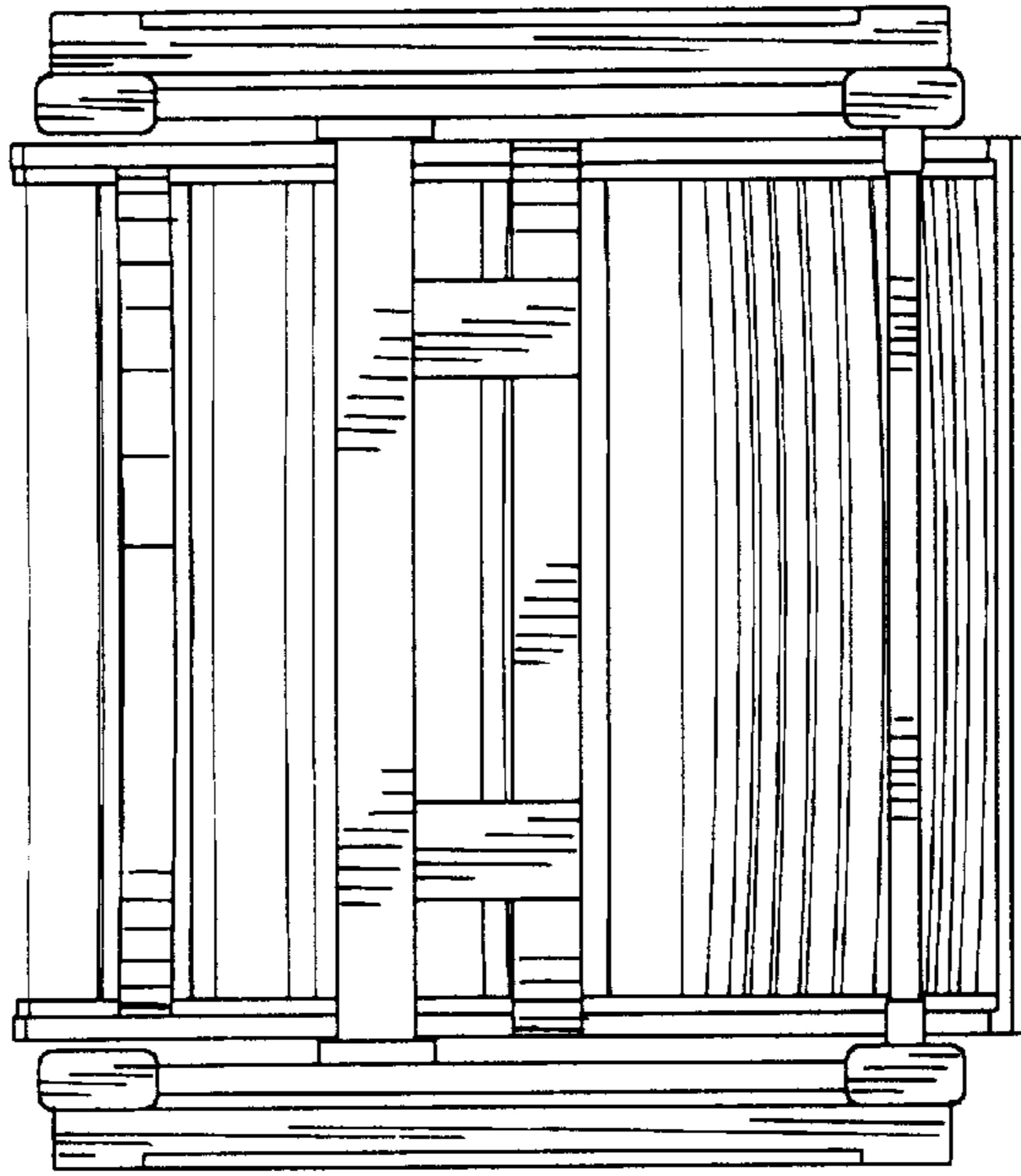


FIG. 7

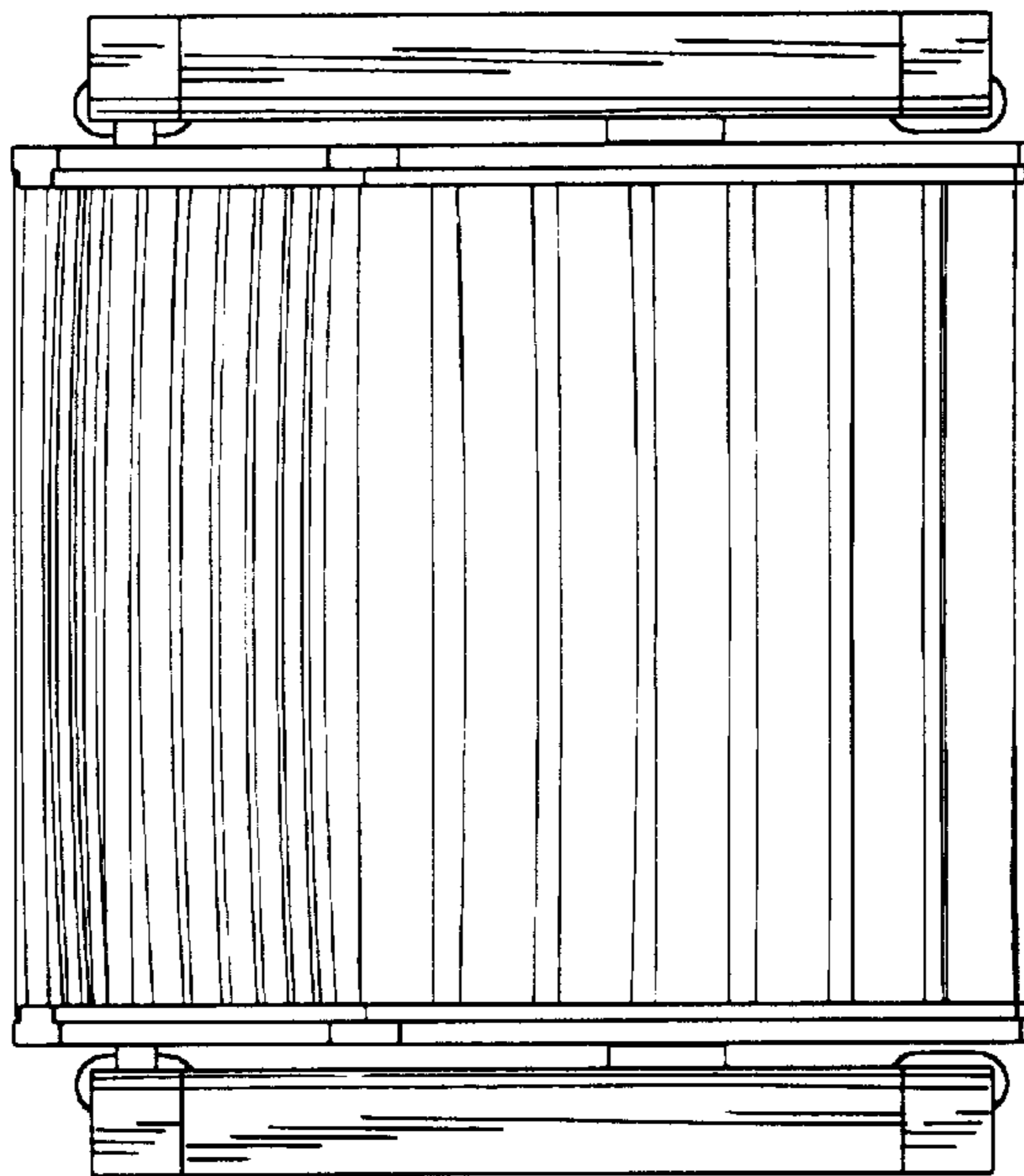


FIG. 6