



US00D437134S

(12) **United States Design Patent** (10) **Patent No.:** **US D437,134 S**
Anderson et al. (45) **Date of Patent:** **** Feb. 6, 2001**

(54) **MULTI-POSITION CHAIR**

(76) Inventors: **R. Jett Anderson**, 51 Warren St., Newburyport, MA (US) 01950; **Edward J. Robertson, Jr.**, 1 Virginia Cir., Reading, MA (US) 01867; **Carl A. Rotter**, 331 E. 88th St., #3D, New York, NY (US) 10128; **James M. Ryan**, 327 Central Park West, New York, NY (US) 10025

(**) Term: **14 Years**

(21) Appl. No.: **29/108,831**

(22) Filed: **Aug. 4, 1999**

(51) **LOC (7) Cl.** **06-01**

(52) **U.S. Cl.** **D6/368; D6/370; D6/379**

(58) **Field of Search** **D6/334, 335, 367, D6/368, 369, 370, 374, 379, 380, 500-502; 297/26, 27, 28, 34, 35, 353, 359**

(56) **References Cited**

U.S. PATENT DOCUMENTS

| | | | | | |
|------------|---|---------|----------------|-------|---------|
| D. 339,004 | * | 9/1993 | Grosfillex | | D6/368 |
| D. 363,170 | * | 10/1995 | Cahaley et al. | | D6/368 |
| D. 407,227 | * | 3/1999 | Walters | | D6/368 |
| 4,906,046 | * | 3/1990 | Kleinklaus | | 297/359 |

* cited by examiner

Primary Examiner—Doris V. Coles

Assistant Examiner—Mimosa De

(74) *Attorney, Agent, or Firm*—August E. Roehrig, Jr.; Hancock, & Estabrook, LLP

(57) **CLAIM**

The ornamental design for a multi-position chair, as shown and described.

DESCRIPTION

FIG. 1 is a right side perspective view of the multi-position chair of our invention;

FIG. 2 is a right side perspective view of the multi-position chair illustrated in FIG. 1 in a folded position, the left side being a mirror image thereof;

FIG. 3 is a front view of the multi-position chair illustrated in FIG. 1;

FIG. 4 is a rear view of the multi-position chair illustrated in FIG. 1;

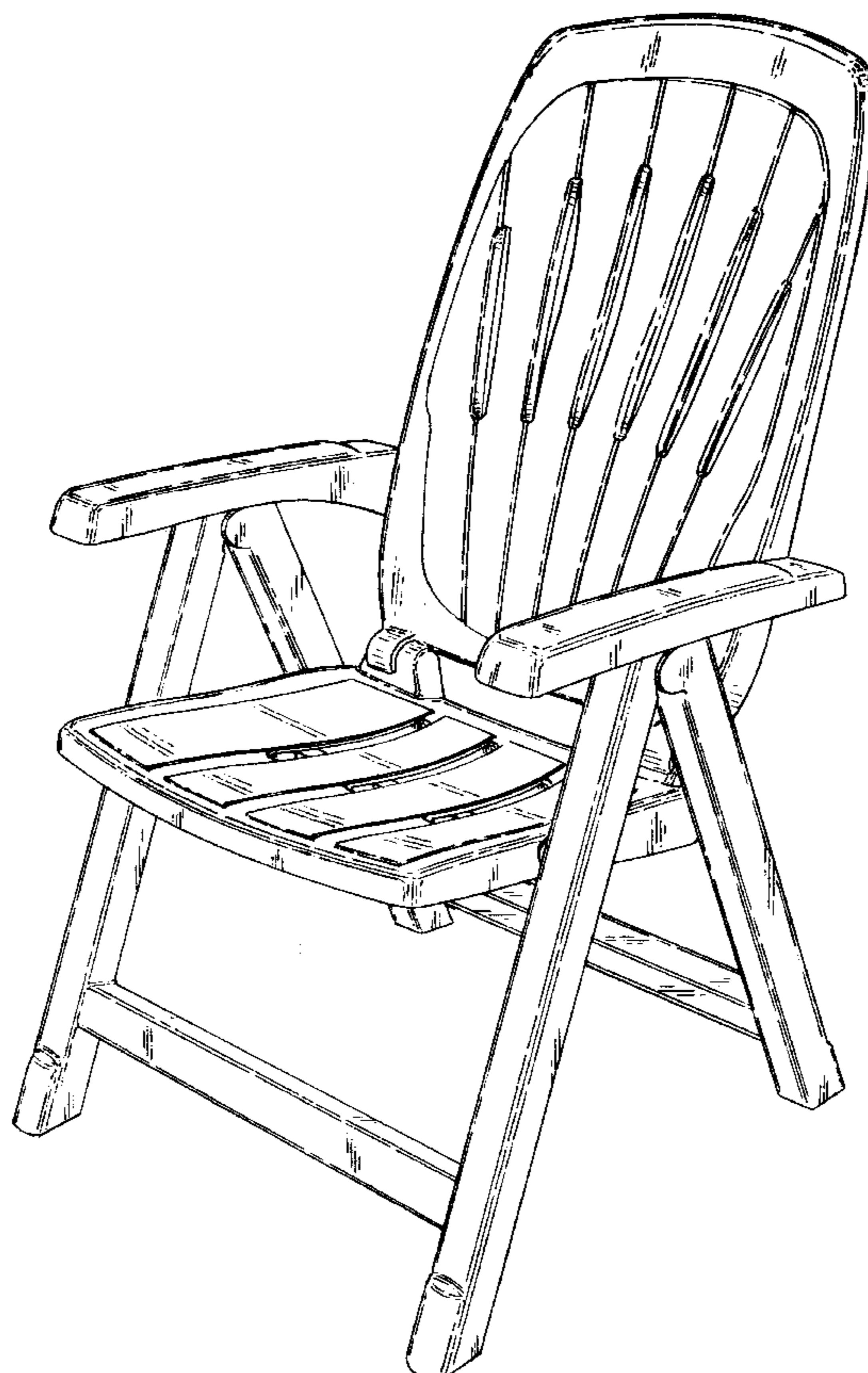
FIG. 5 is a right side elevational view of the multi-position chair as illustrated in FIG. 2, the left side being a mirror image thereof;

FIG. 6 is a left side elevational view of the multi-position chair illustrated in FIG. 1;

FIG. 7 is a top plan view of the multi-position chair illustrated in FIG. 1; and,

FIG. 8 is a left side perspective view of the multi-position chair in a reclined position, the right side being a mirror image thereof.

1 Claim, 8 Drawing Sheets



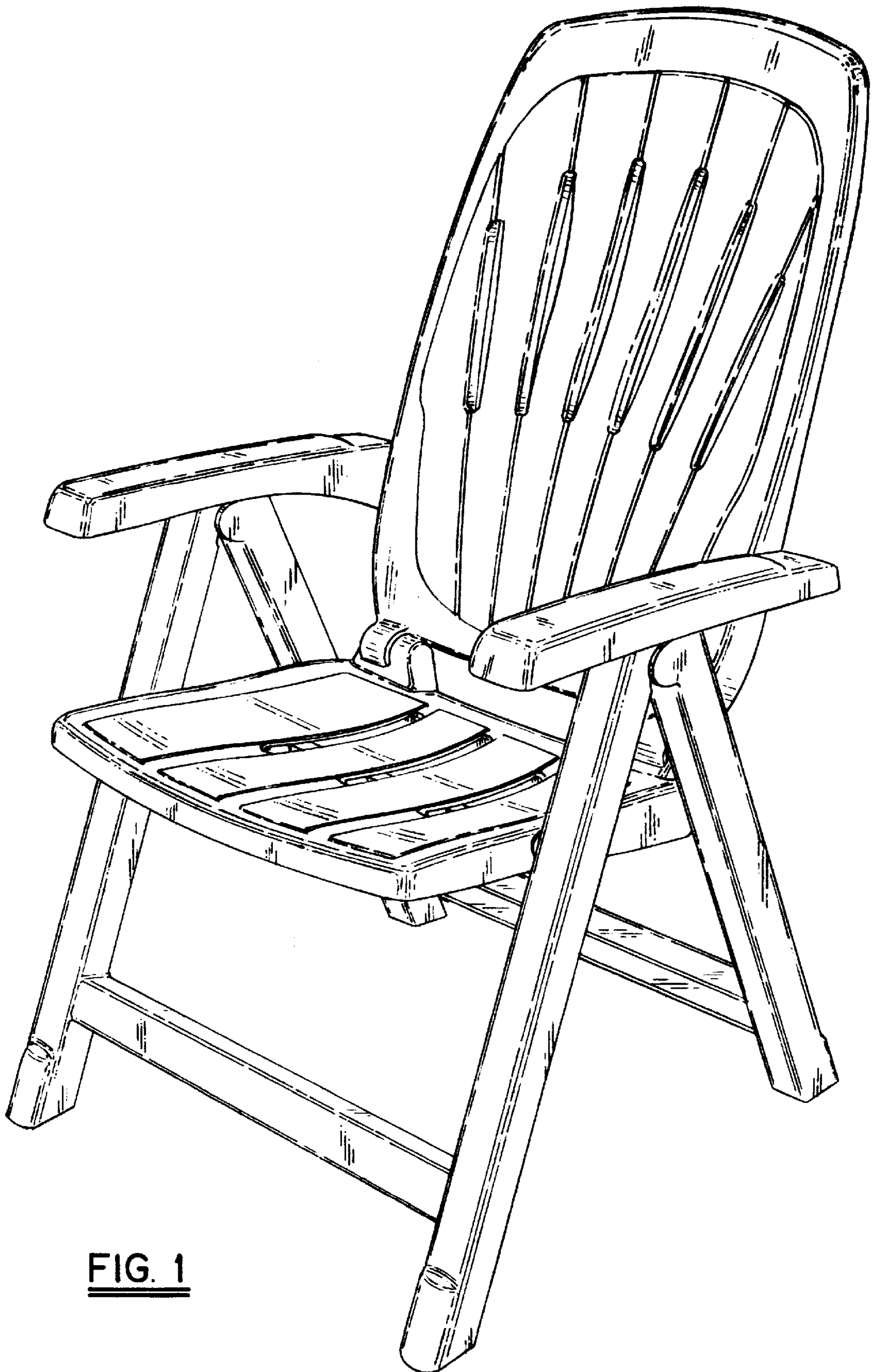


FIG. 1

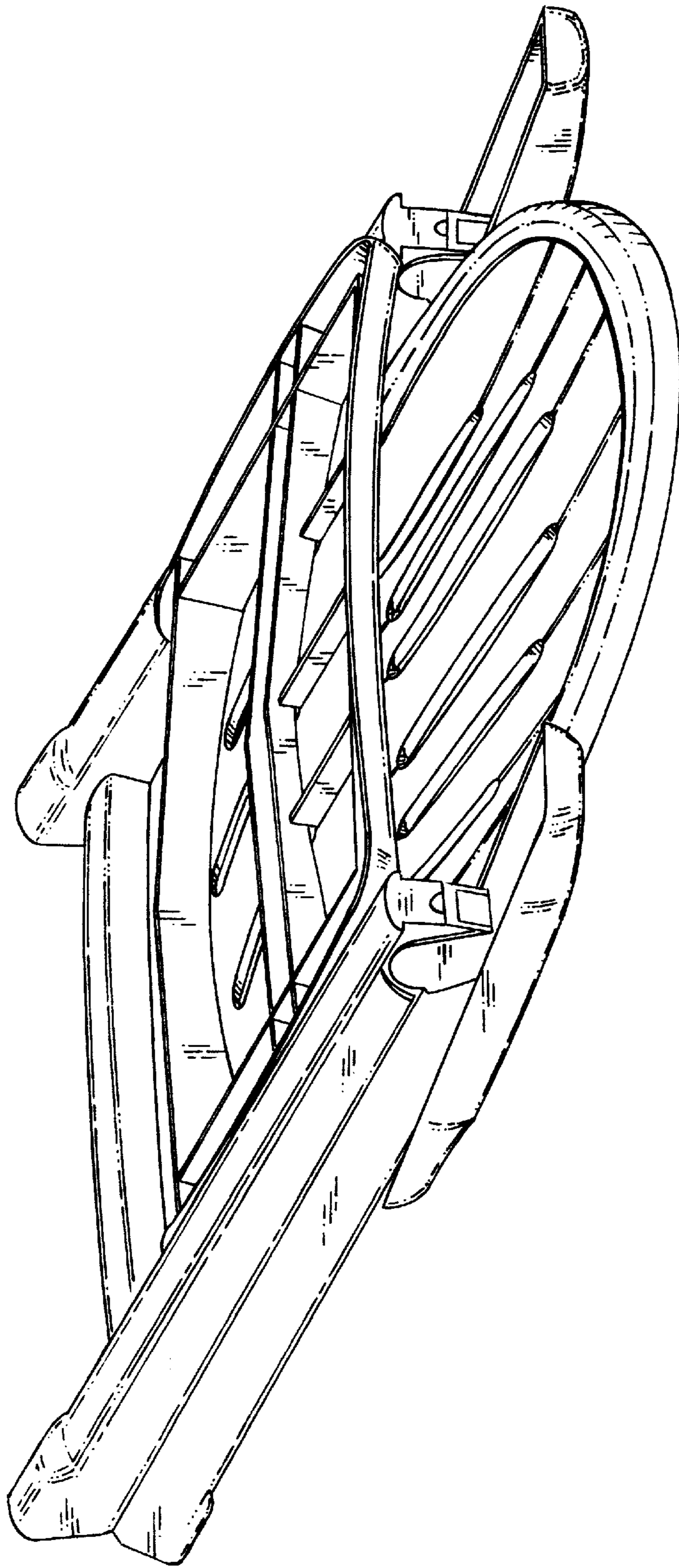


FIG. 2

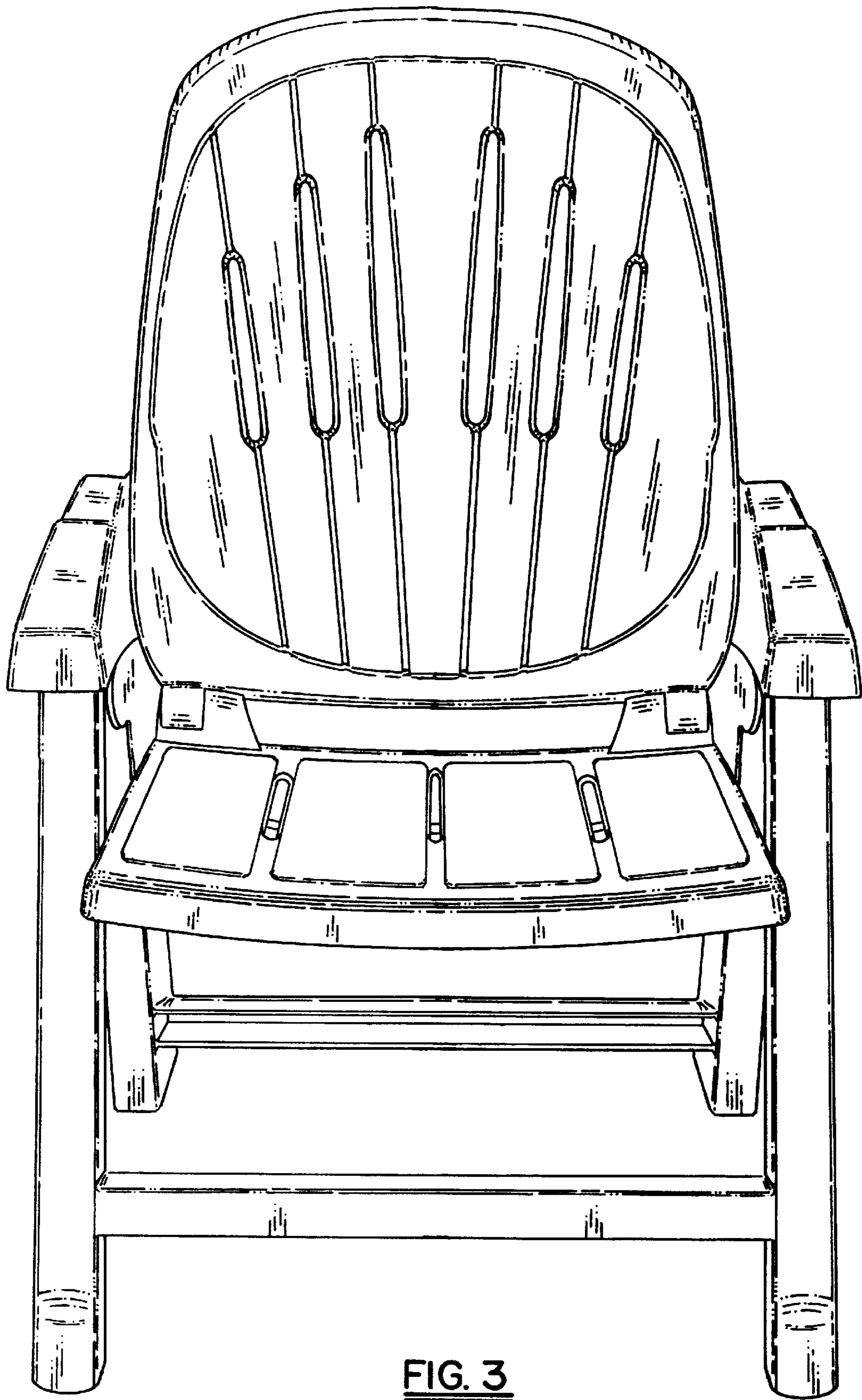


FIG. 3

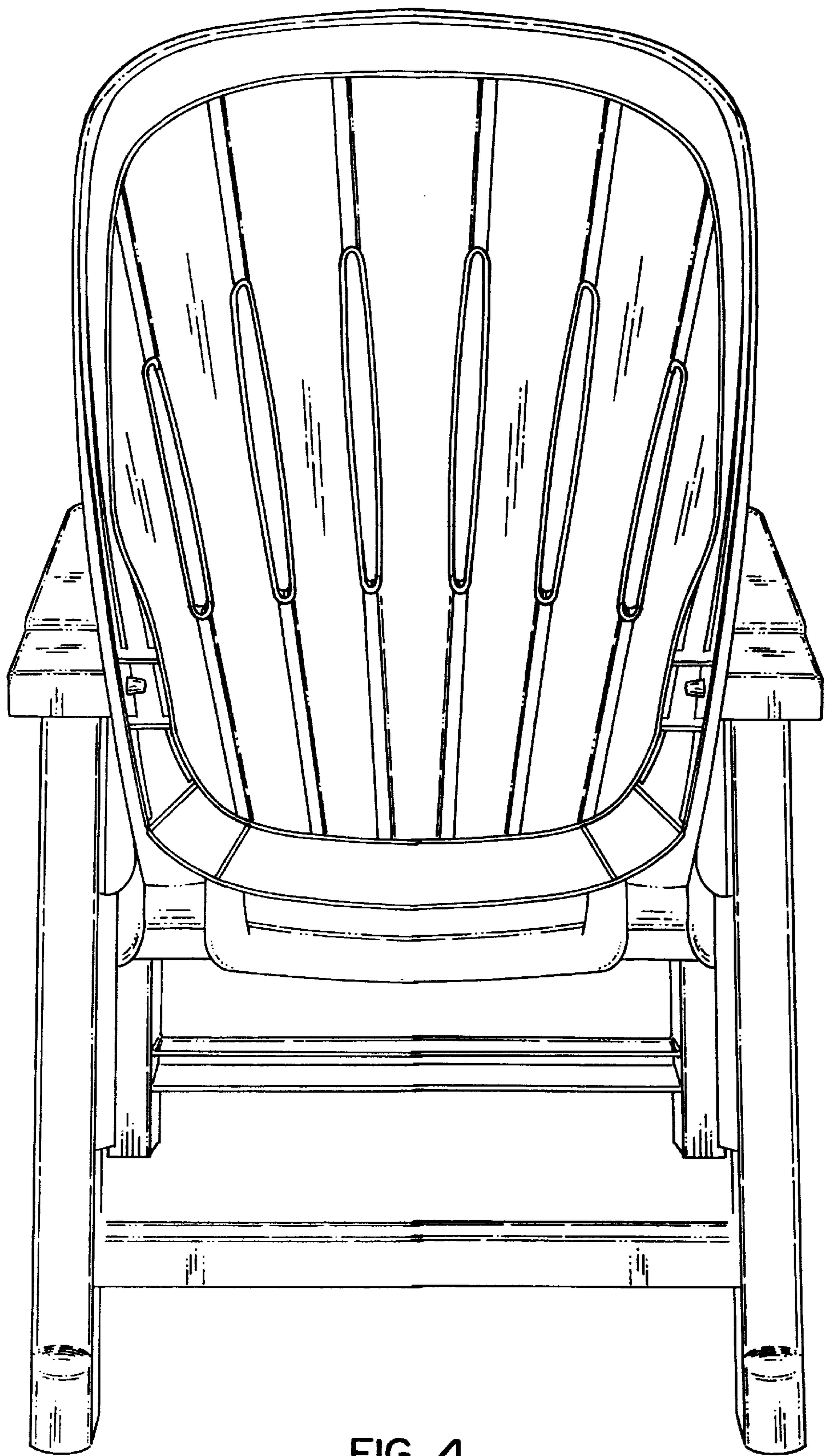


FIG. 4

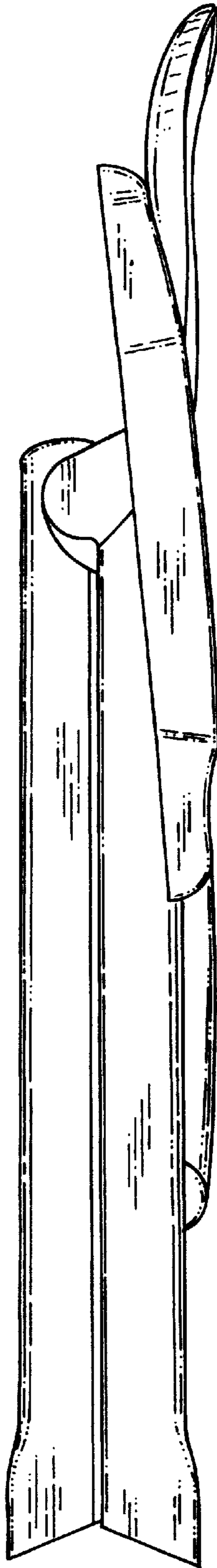


FIG. 5

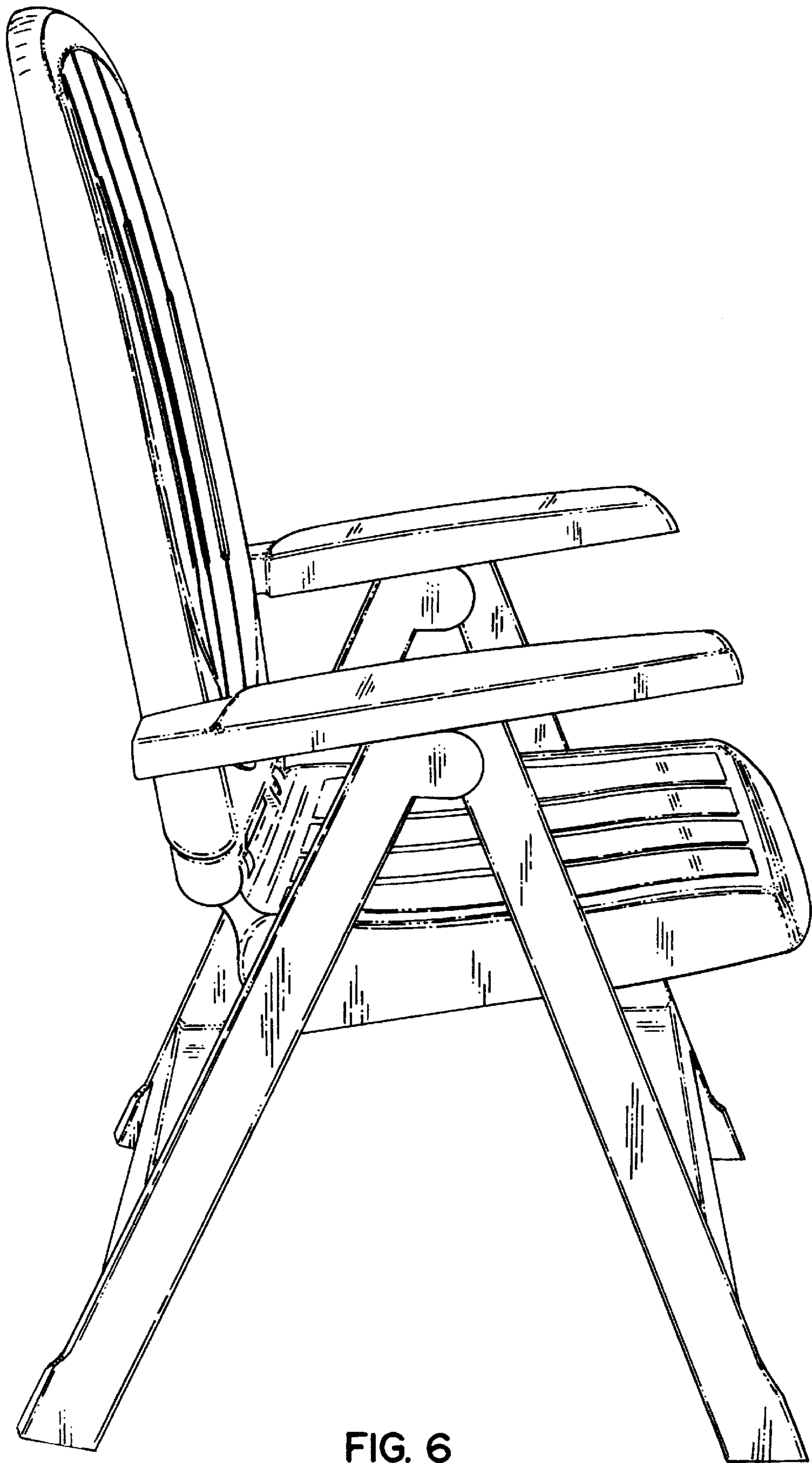


FIG. 6

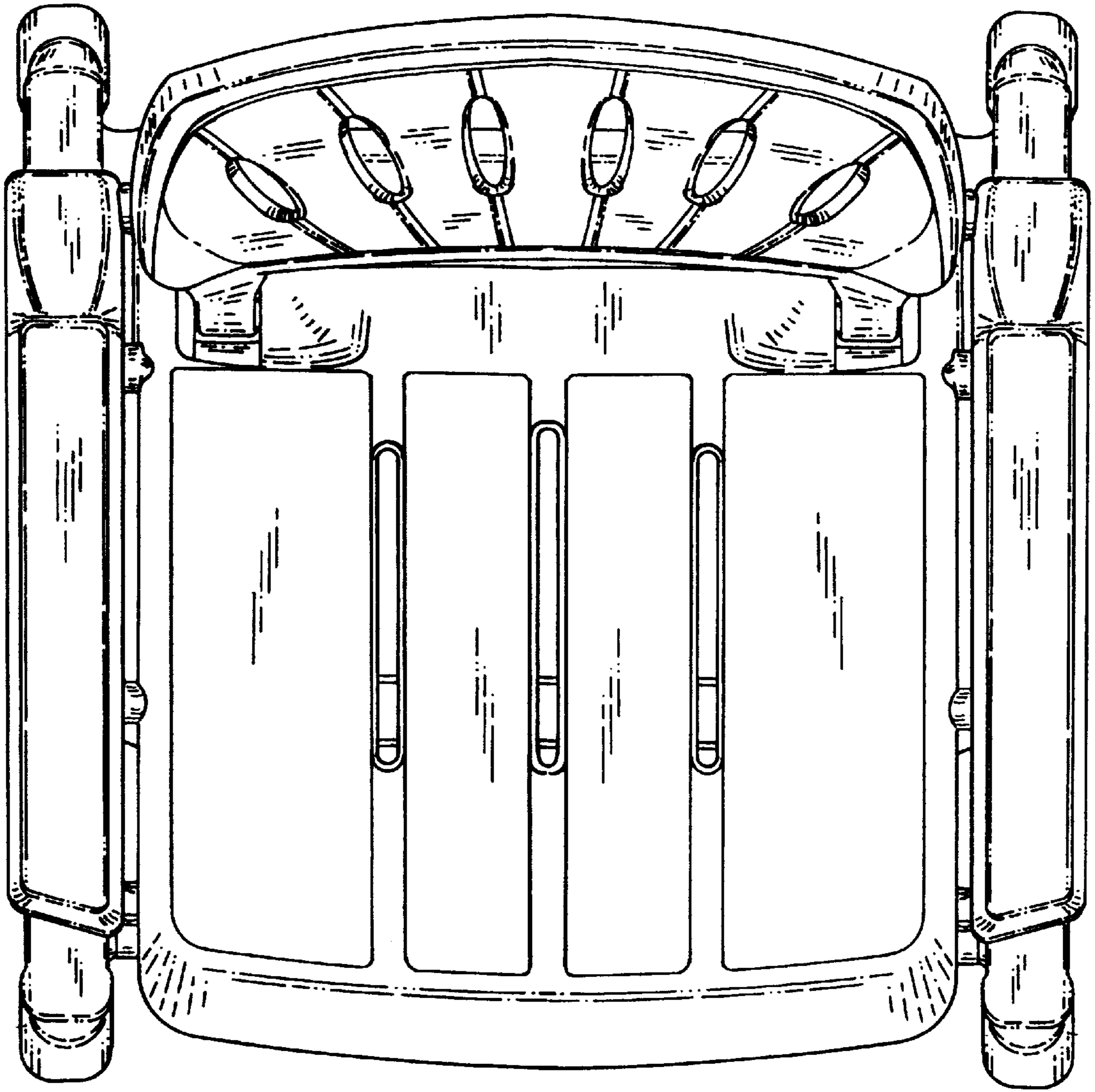


FIG. 7

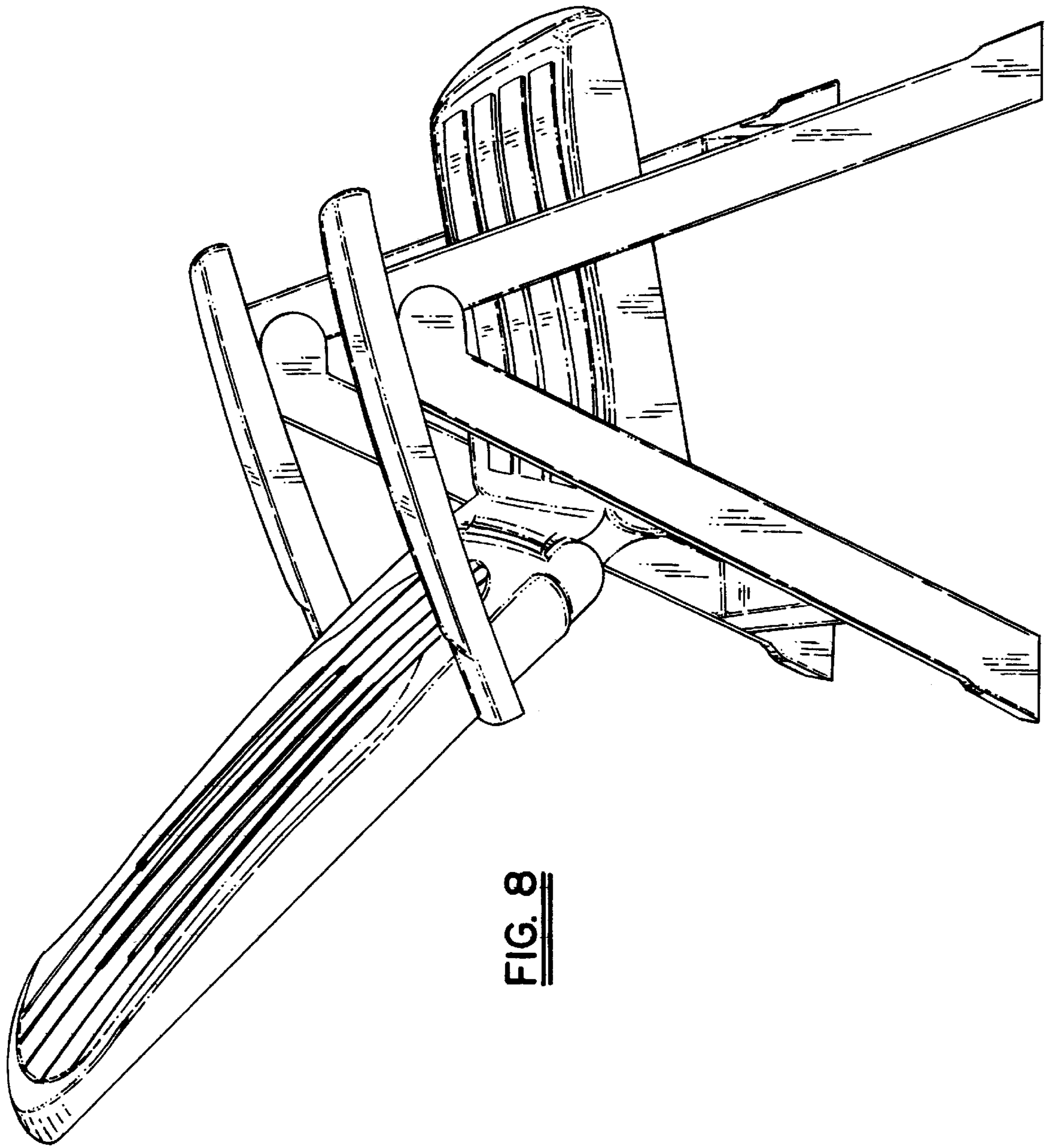


FIG. 8