



US00D437132S

(12) **United States Design Patent**  
**Nagamitsu**

(10) **Patent No.:** **US D437,132 S**

(45) **Date of Patent:** **\*\* Feb. 6, 2001**

(54) **CHAIR**

(75) Inventor: **Satoshi Nagamitsu**, Higashiyamoto (JP)

(73) Assignee: **Okamura Corporation**, Kanagawa-Ken (JP)

(\*\*) Term: **14 Years**

(21) Appl. No.: **29/122,826**

(22) Filed: **May 4, 2000**

(30) **Foreign Application Priority Data**

Nov. 8, 1999 (JP) ..... 11-30537

(51) **LOC (7) Cl.** ..... **06-01**

(52) **U.S. Cl.** ..... **D6/366**

(58) **Field of Search** ..... D6/334, 364, 365,  
D6/366, 367, 379, 500-502, 601; 297/300.1,  
300.4, 391, 393, 396, 452.29

(56) **References Cited**

**U.S. PATENT DOCUMENTS**

- D. 337,666 \* 7/1993 Peterson et al. .... D6/366
- D. 354,178 \* 1/1995 Ochsner ..... D6/366
- D. 355,303 \* 2/1995 Scheoer et al. .... D6/366
- D. 358,944 \* 6/1995 Citterio ..... D6/366
- D. 367,980 \* 3/1996 Hodge et al. .... D6/500
- D. 372,799 \* 8/1996 Orians et al. .... D6/366
- D. 379,408 \* 5/1997 Feldberg ..... D6/366
- D. 379,567 \* 6/1997 Grivet ..... D6/500
- D. 395,762 \* 7/1998 Saul ..... D6/366
- D. 407,576 \* 4/1999 Ritch et al. .... D6/500
- D. 408,181 \* 4/1999 Ginat ..... D6/500
- D. 411,063 \* 6/1999 Ginat ..... D6/366
- D. 414,349 \* 9/1999 Jenkins et al. .... D6/366
- D. 417,101 \* 11/1999 DeSanta et al. .... D6/366
- D. 417,102 \* 11/1999 Vanderwood et al. .... D6/366
- D. 417,792 \* 12/1999 Hansen et al. .... D6/366
- D. 418,316 \* 1/2000 Vogtherr ..... D6/366
- D. 421,861 \* 3/2000 Ginat ..... D6/500
- D. 422,802 \* 4/2000 Deacon ..... D6/366

- 5,405,190 \* 4/1995 Jeffcoat et al. .... 297/391
- 5,452,939 \* 9/1995 Kupisz et al. .... 297/391
- 5,934,755 \* 8/1999 Halamish ..... 297/391
- 6,074,010 \* 6/2000 Takeda ..... 297/391
- 6,086,153 \* 7/2000 Heidmann et al. .... 297/300.1

**OTHER PUBLICATIONS**

Adjustable headrest, B, p. 7, Modern Office catalog, May 1997.\*

\* cited by examiner

*Primary Examiner*—Caron D. Veynar

*Assistant Examiner*—Mimosa De

(74) *Attorney, Agent, or Firm*—Henricks, Slavin & Holmes LLP

(57) **CLAIM**

The ornamental design for a chair, as shown.

**DESCRIPTION**

This application is related to concurrently filed design applications, Ser. Nos. 29/122,832, 29/122,837, and 29/122,827.

FIG. 1 is a front perspective view of a chair showing my new design;

FIG. 2 is a rear perspective view thereof;

FIG. 3 is a front elevational view thereof;

FIG. 4 is a top plan view thereof;

FIG. 5 is a rear elevational view thereof;

FIG. 6 is a bottom plan view thereof;

FIG. 7 is a right side elevational view thereof;

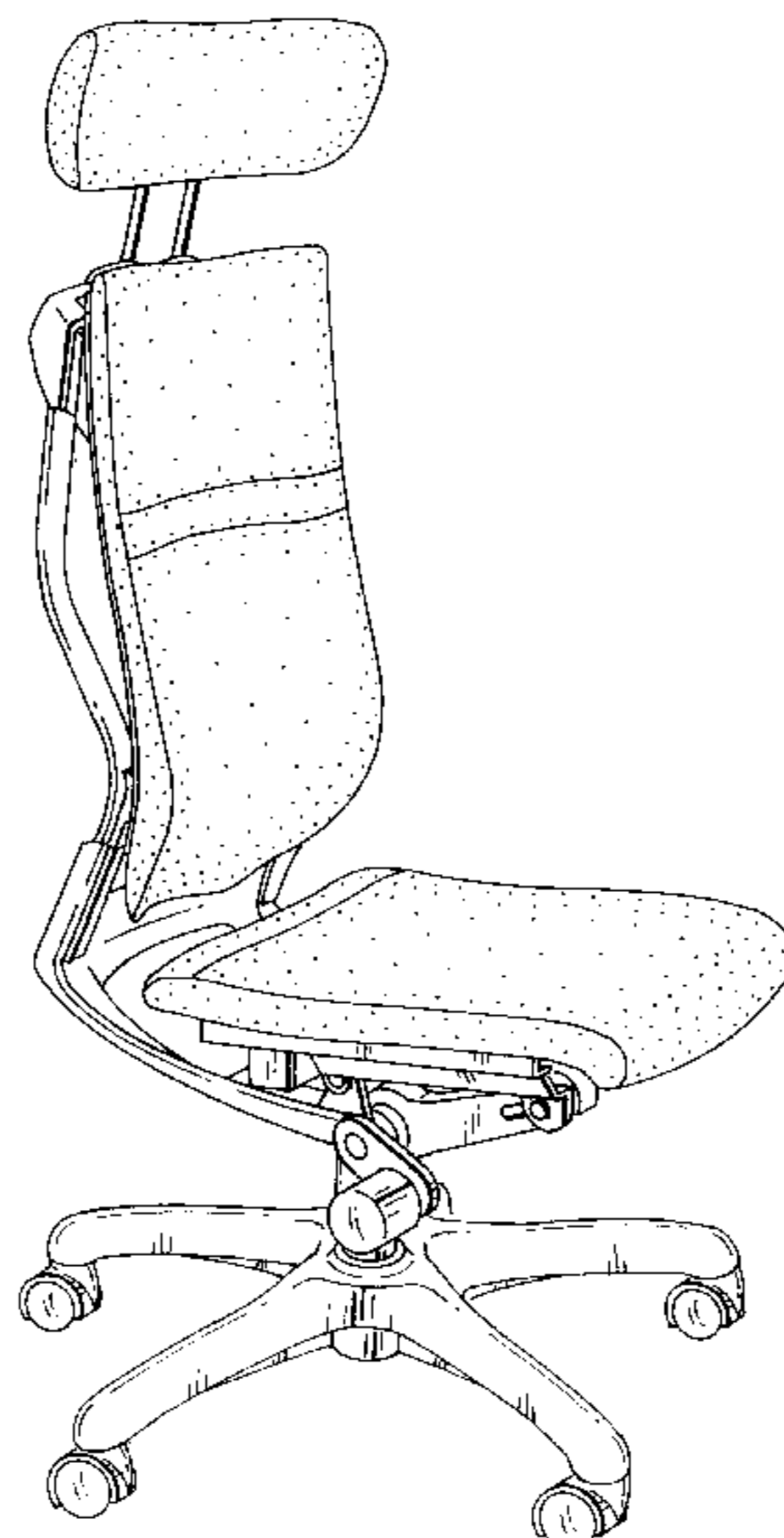
FIG. 8 is a left side elevational view thereof;

FIG. 9 is a vertical sectional front view taken taken along the line 9—9 in FIG. 4;

FIG. 10 is a horizontal sectional plan view taken along the line 10—10 in FIG. 3; and,

FIG. 11 is a vertical sectional right side view taken along the line 11—11 in FIG. 4 thereof.

**1 Claim, 7 Drawing Sheets**



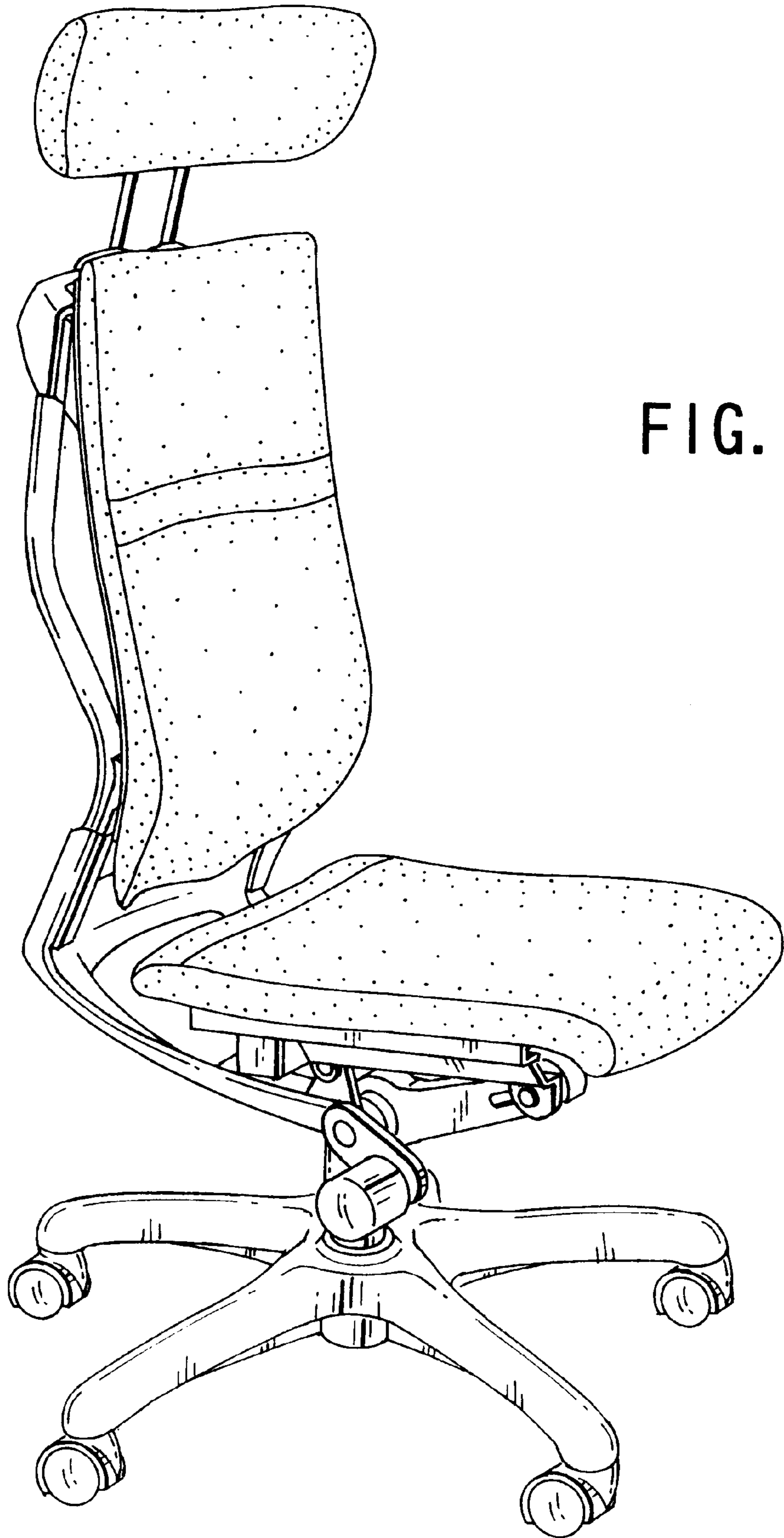


FIG. 1

FIG. 2

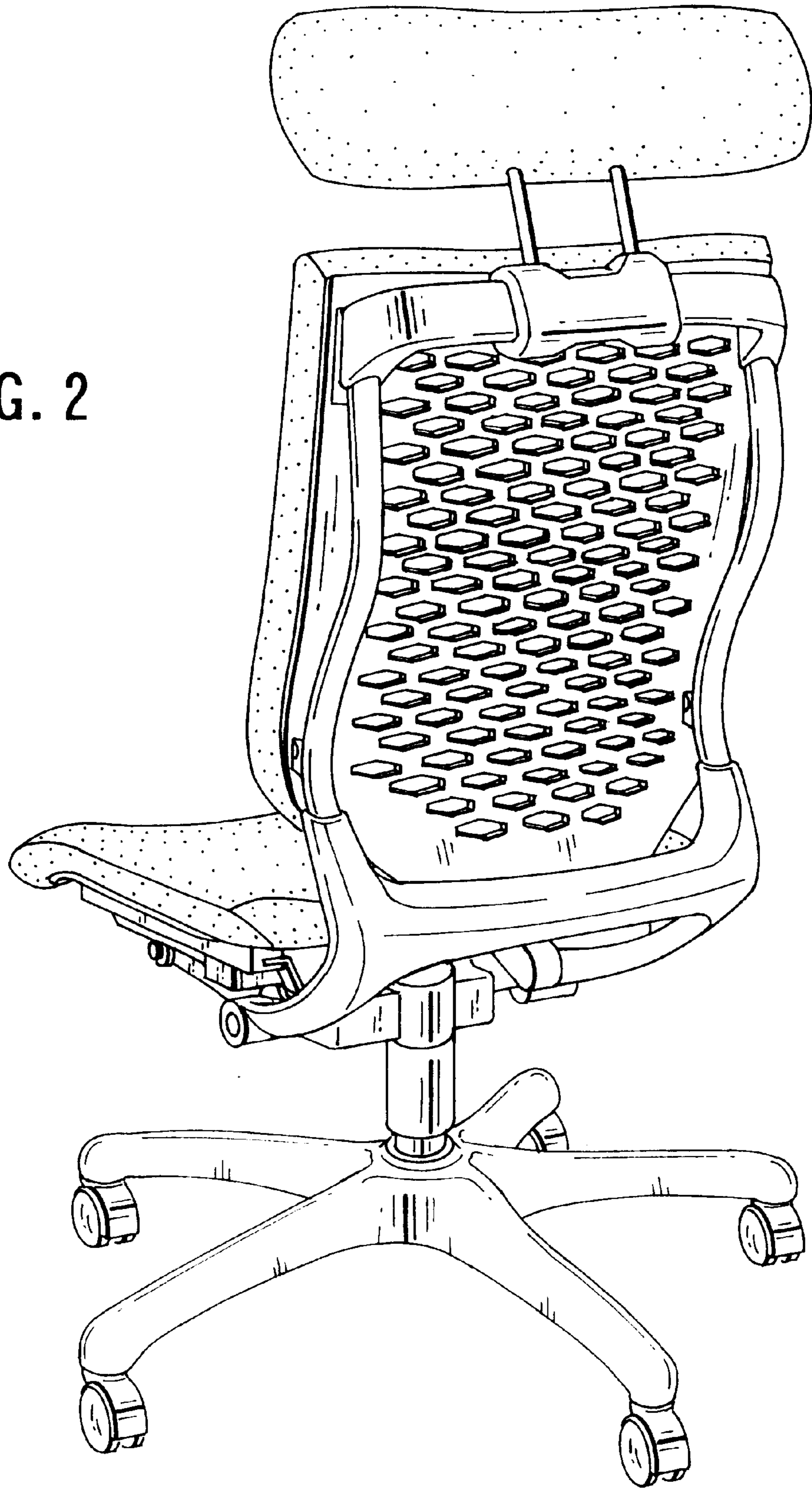


FIG. 3

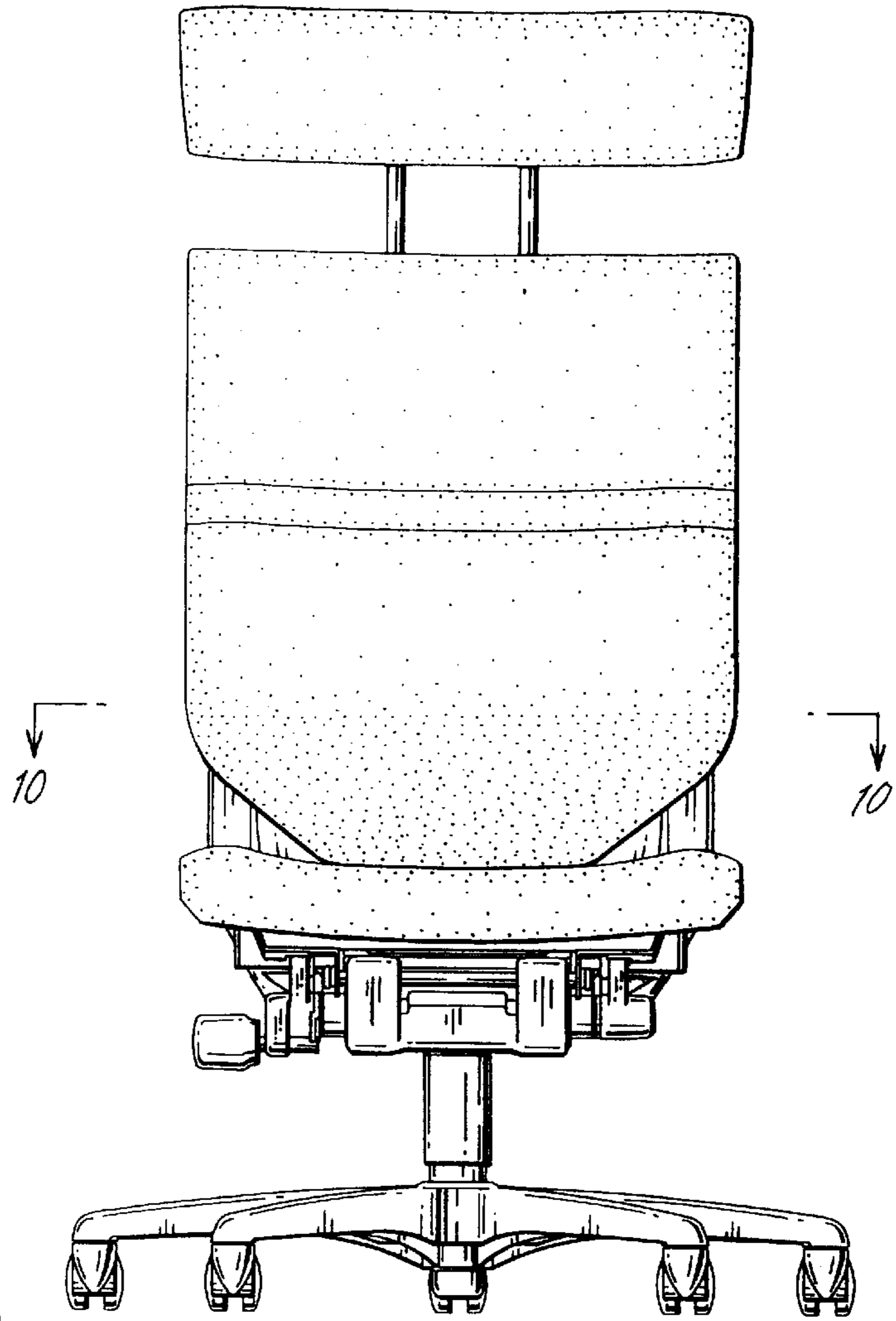
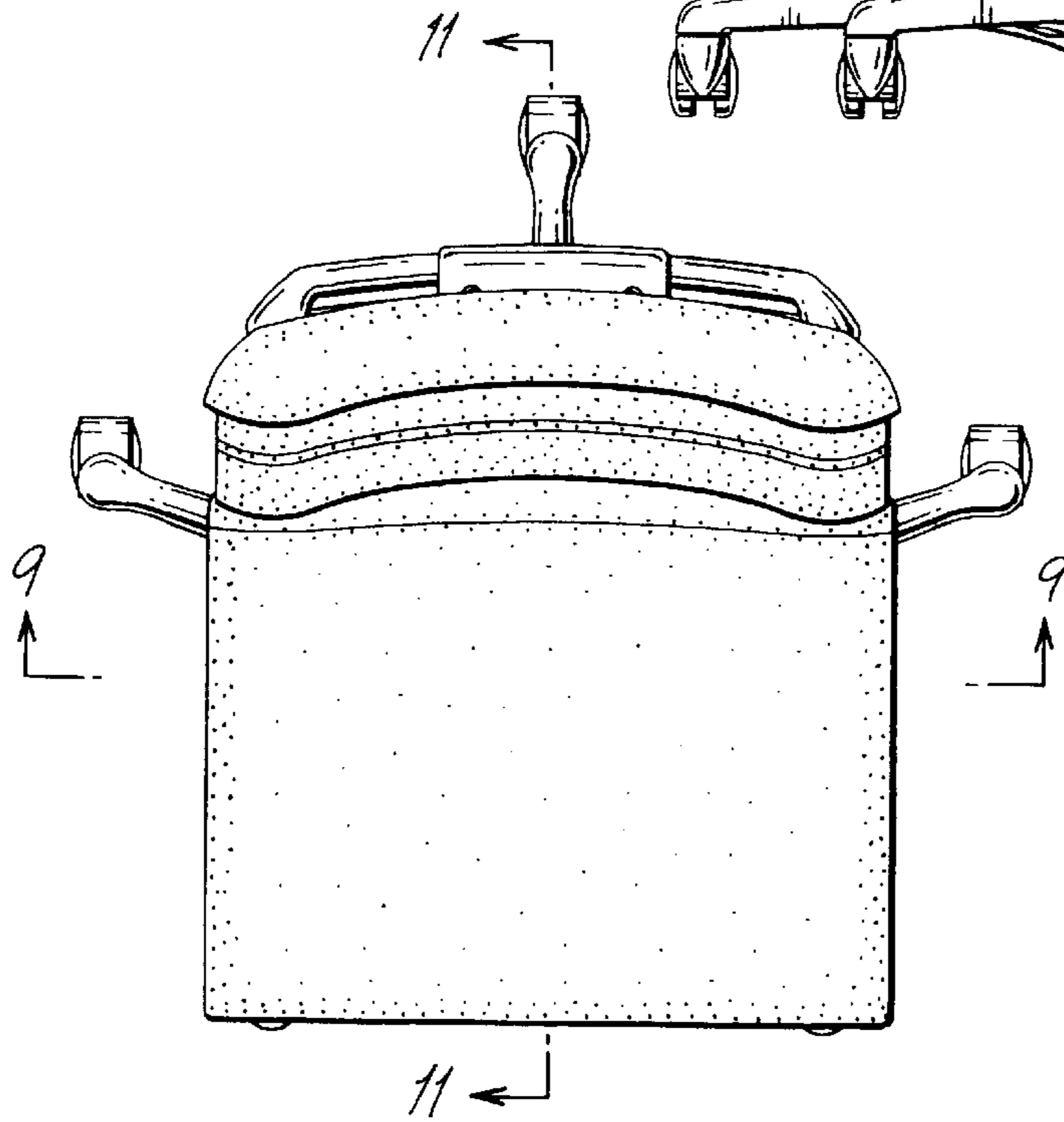


FIG. 4





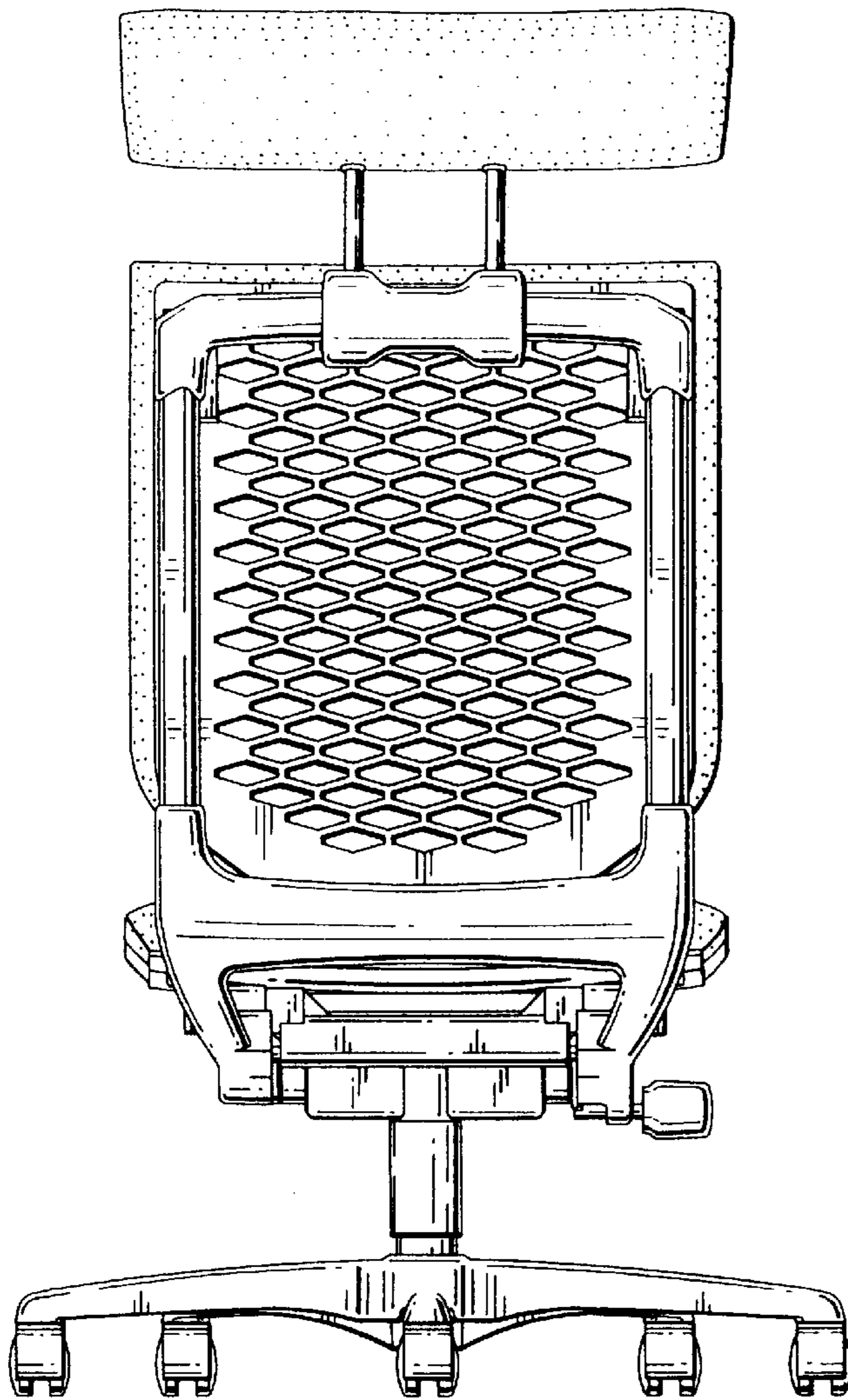


FIG. 5

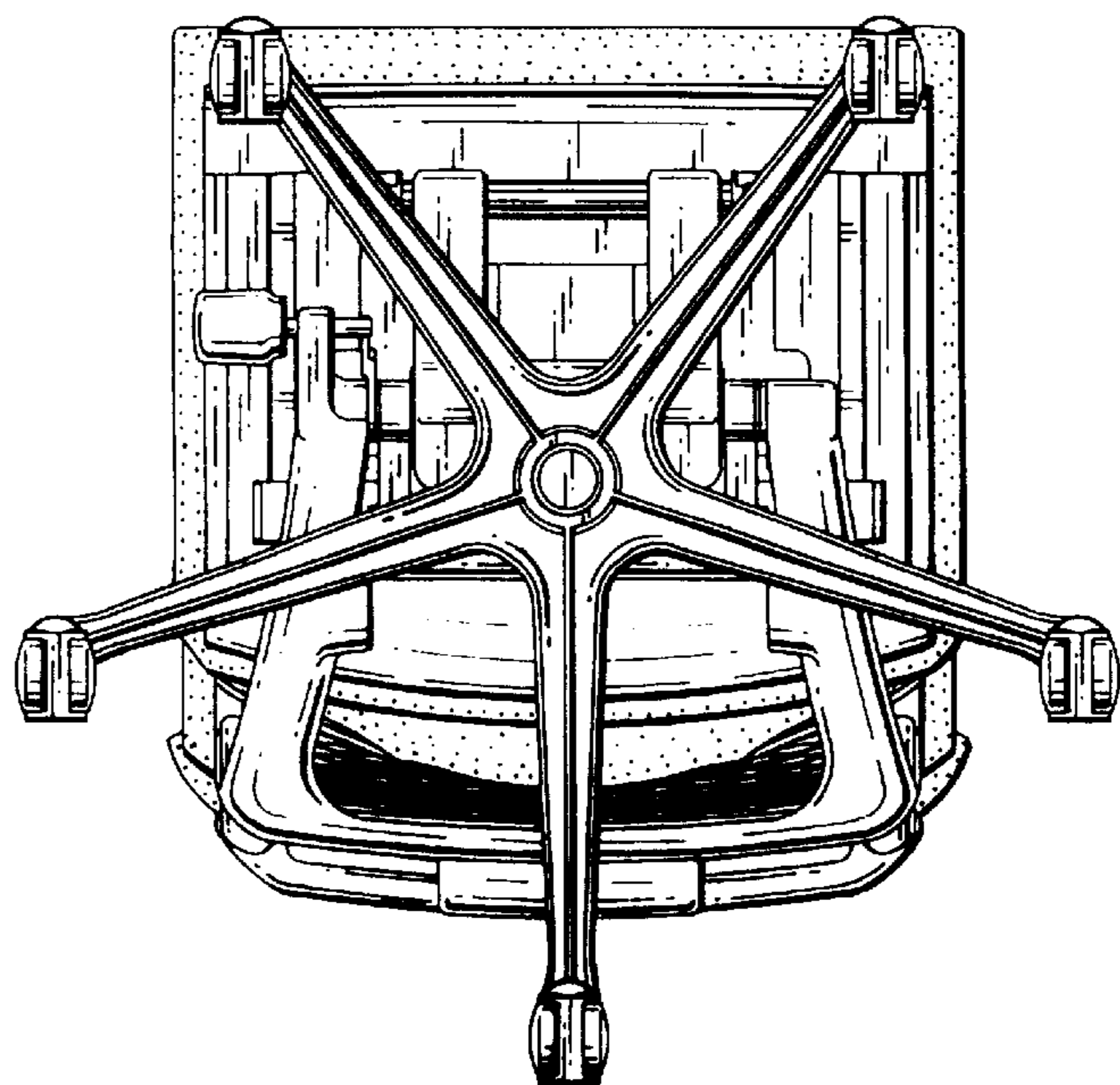


FIG. 6

FIG. 7

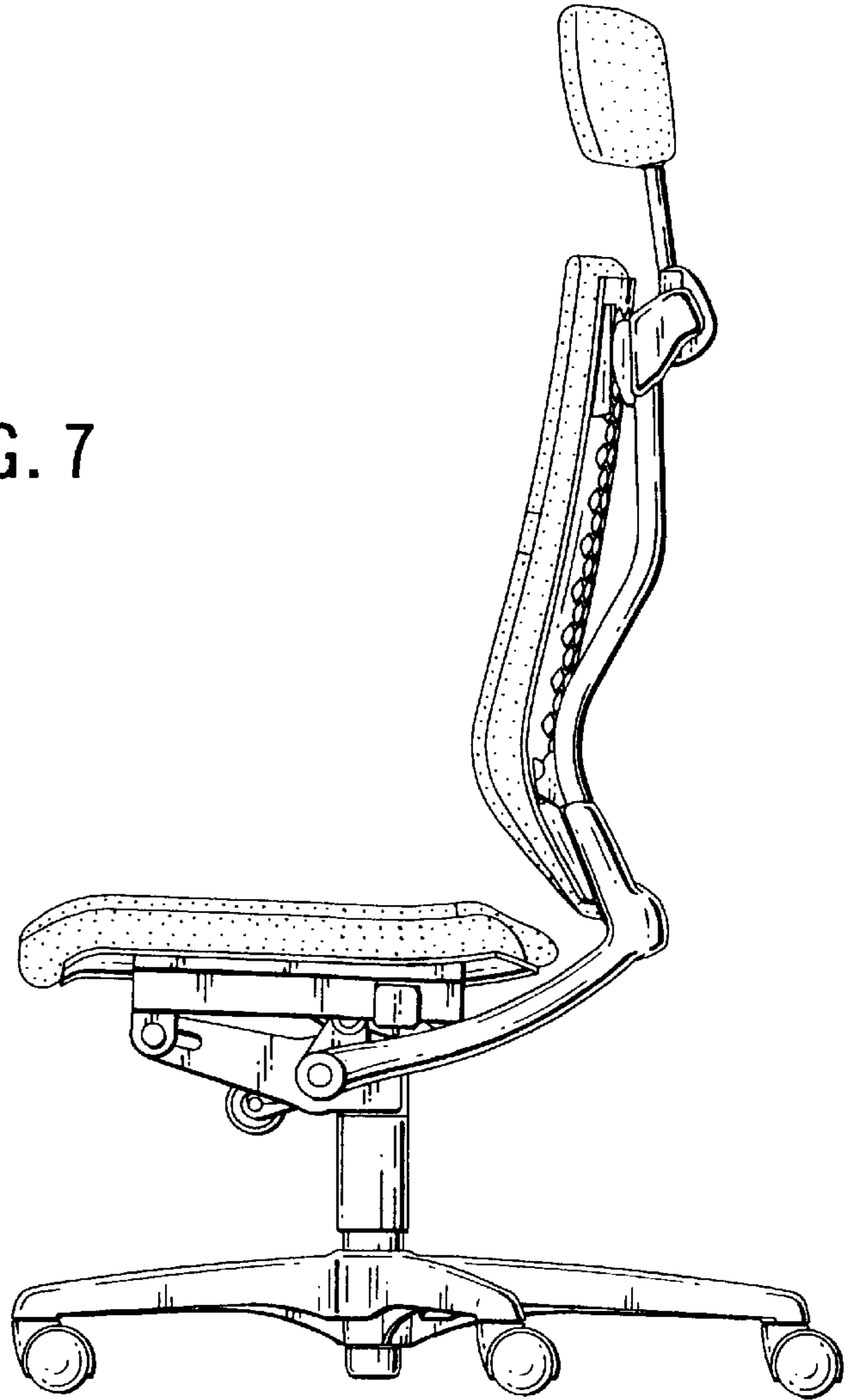
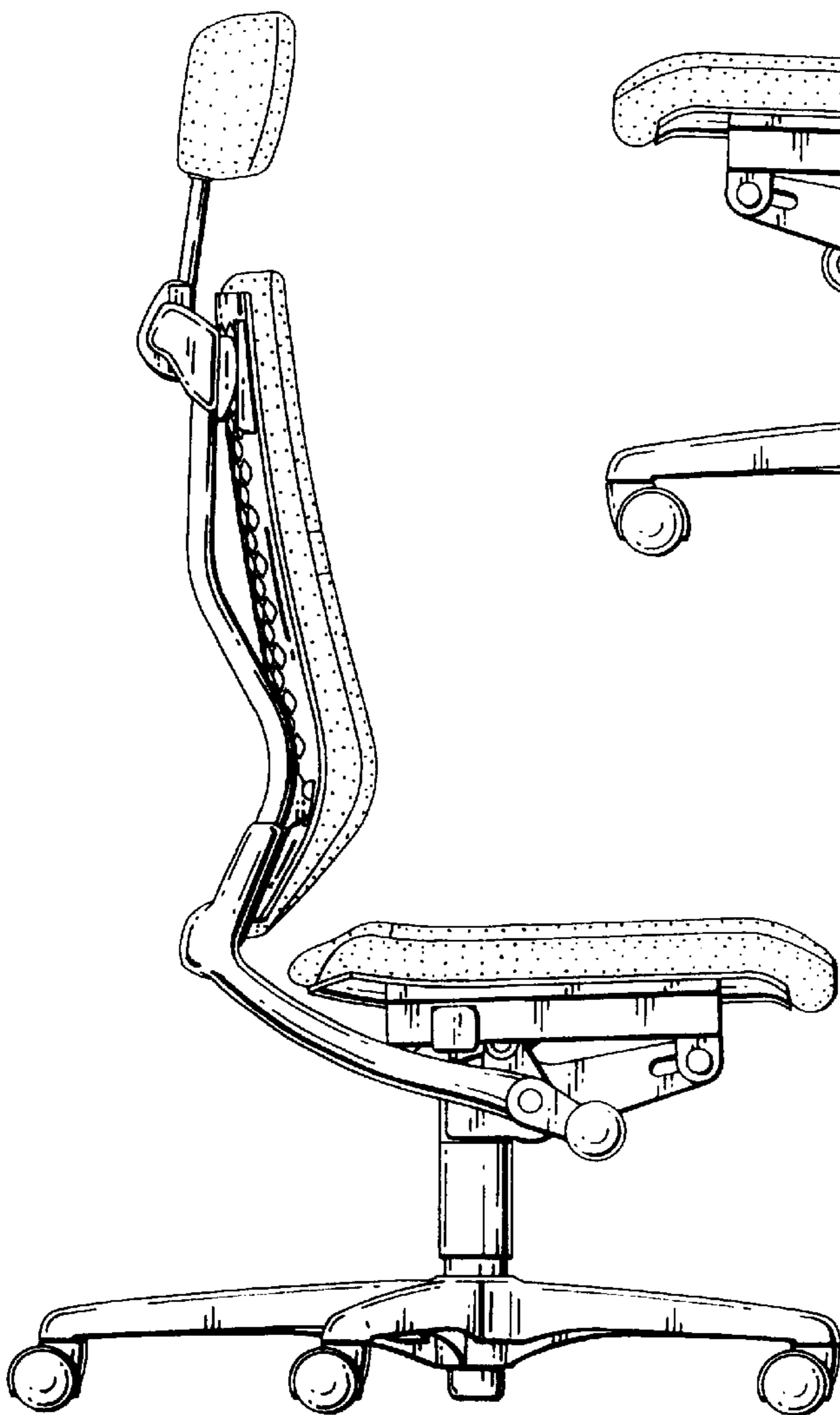


FIG. 8



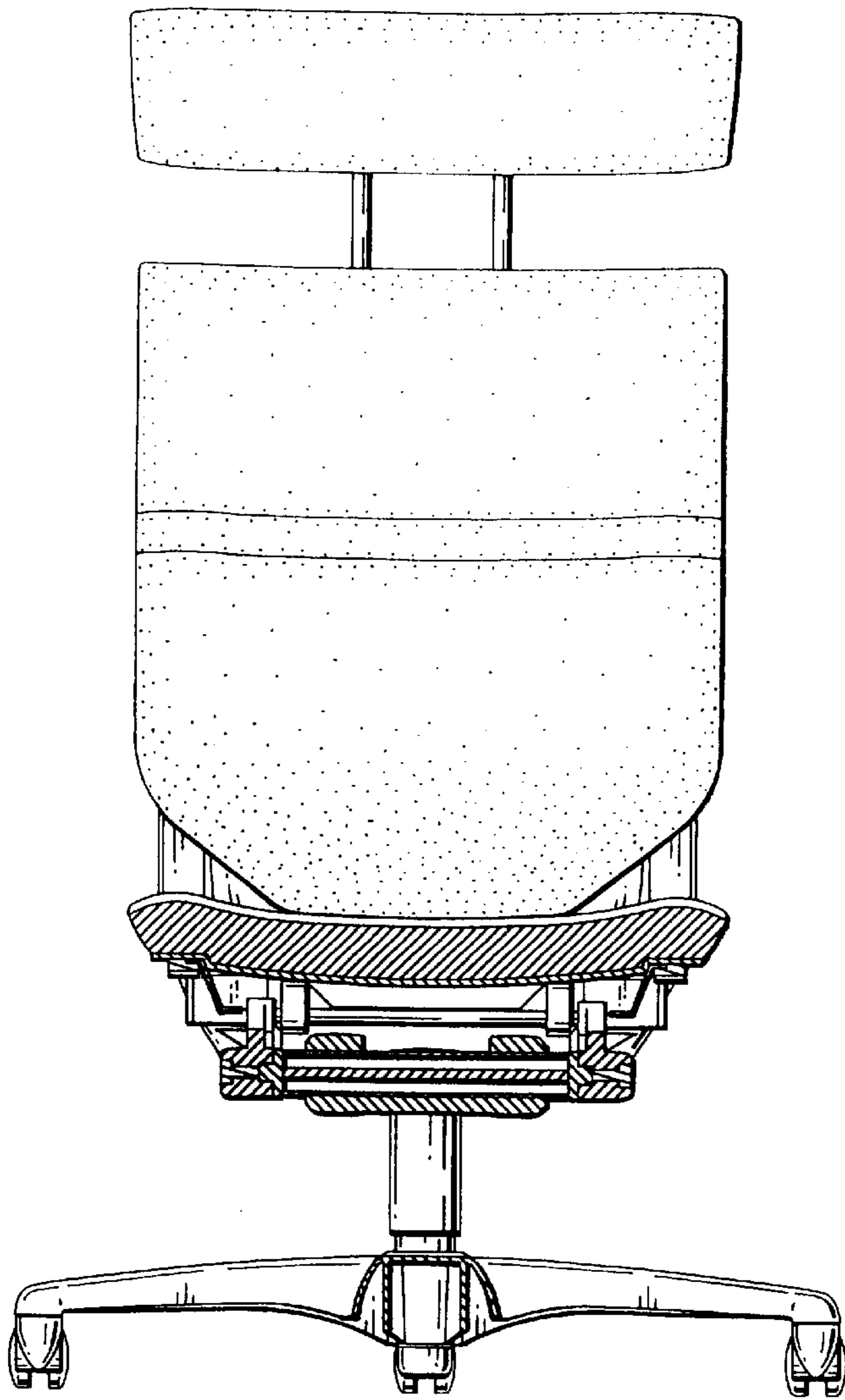


FIG. 9

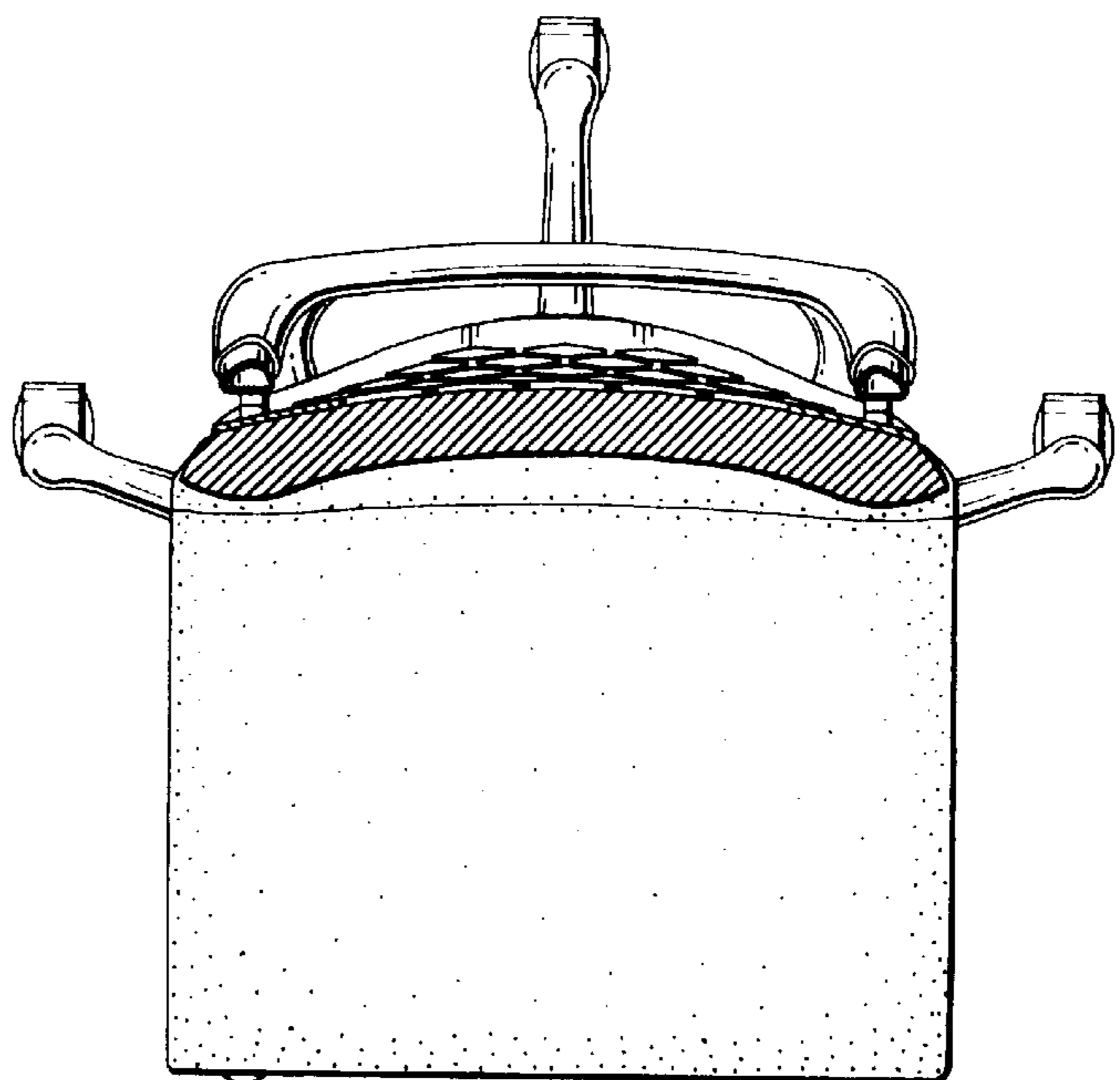


FIG. 10

FIG. 11

