



US00D437131S

(12) **United States Design Patent**
Tseng

(10) **Patent No.:** **US D437,131 S**

(45) **Date of Patent:** **** Feb. 6, 2001**

(54) **CHAIR**

D. 411,380 * 6/1999 Goodworth et al. D6/366
D. 414,630 * 10/1999 Buscio et al. D6/500

(75) Inventor: **Chuen-Jong Tseng, Chiayi Hsien (TW)**

OTHER PUBLICATIONS

(73) Assignee: **Shin Yeh Enterprise Co., Ltd., Chiayi Hsien (TW)**

CT 324HB, no page #, Chair Team brochure, Mar. 2000.*

(**) Term: **14 Years**

* cited by examiner

(21) Appl. No.: **29/122,573**

Primary Examiner—Doris V. Coles

Assistant Examiner—Mimosa De

(22) Filed: **Apr. 28, 2000**

(74) *Attorney, Agent, or Firm*—Ladas & Parry

(51) **LOC (7) Cl.** **06-01**

(57) **CLAIM**

(52) **U.S. Cl.** **D6/366**

The ornamental design for chair, as shown and described.

(58) **Field of Search** D6/334, 364, 365,
D6/366, 367, 379, 380, 500, 501, 502;
297/411.2, 411.27, 411.28, 411.44, 452.1,
452.29

DESCRIPTION

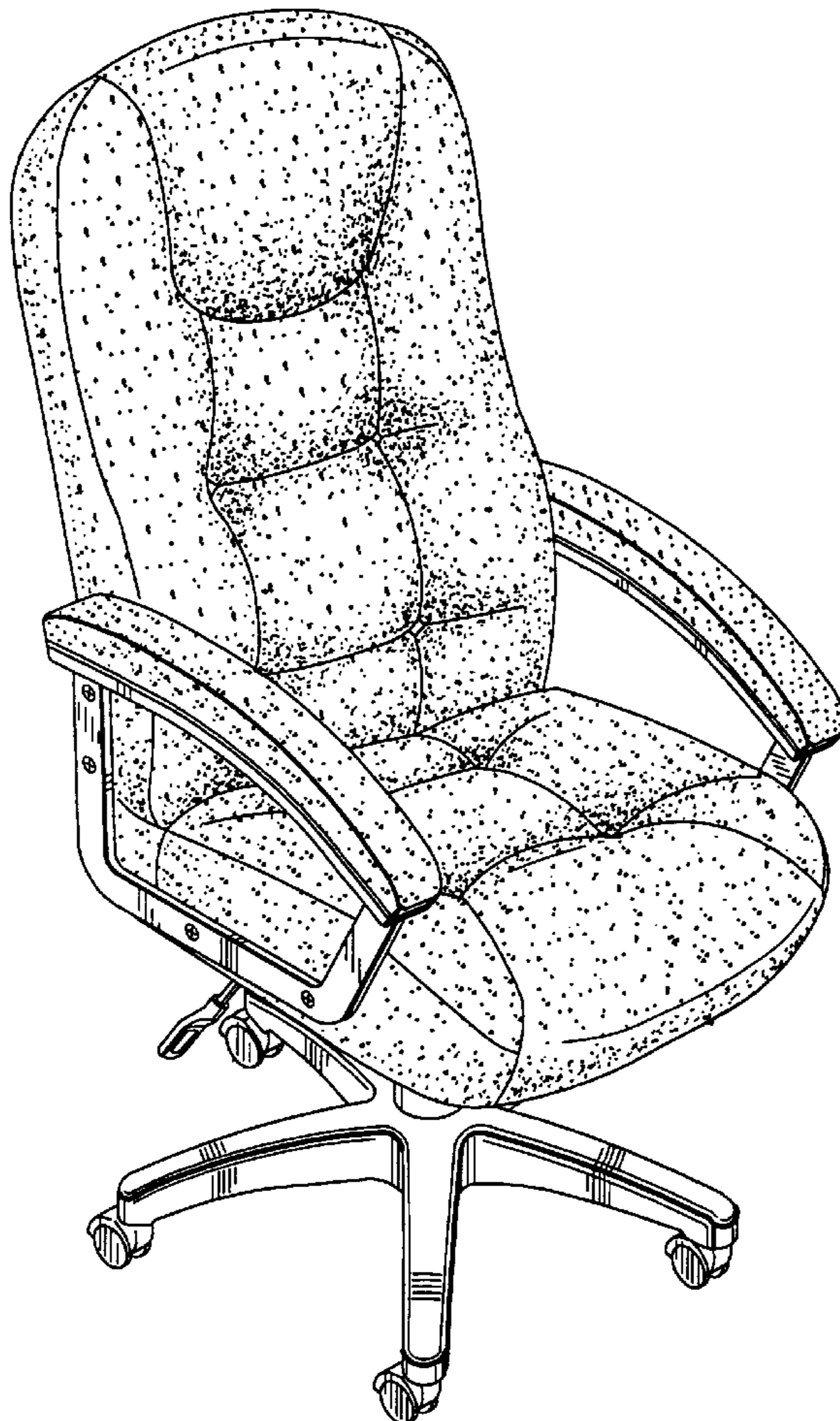
(56) **References Cited**

U.S. PATENT DOCUMENTS

D. 369,488 * 5/1996 Mcdiarmid D6/502
D. 374,779 * 10/1996 Feldberg D6/366
D. 403,169 * 12/1998 Tseng D6/366
D. 403,170 * 12/1998 Tseng D6/366

FIG. 1 is a perspective view of chair showing my new design;
FIG. 2 is a front elevational view thereof;
FIG. 3 is a rear elevational view thereof;
FIG. 4 is a left side elevational view thereof;
FIG. 5 is a right side elevational view thereof;
FIG. 6 is a top plan view thereof; and,
FIG. 7 is a bottom plan view thereof.

1 Claim, 4 Drawing Sheets



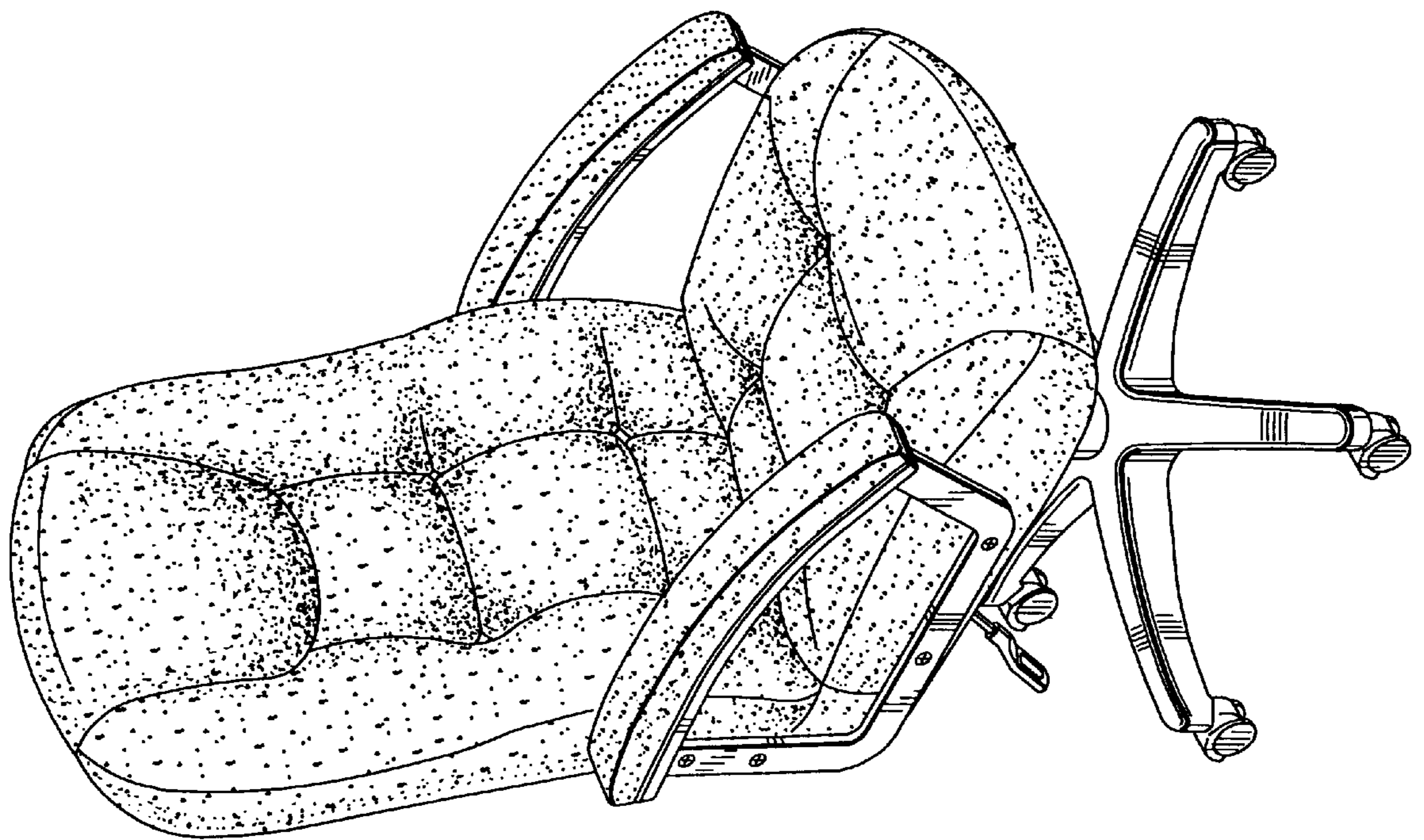


FIG. 1

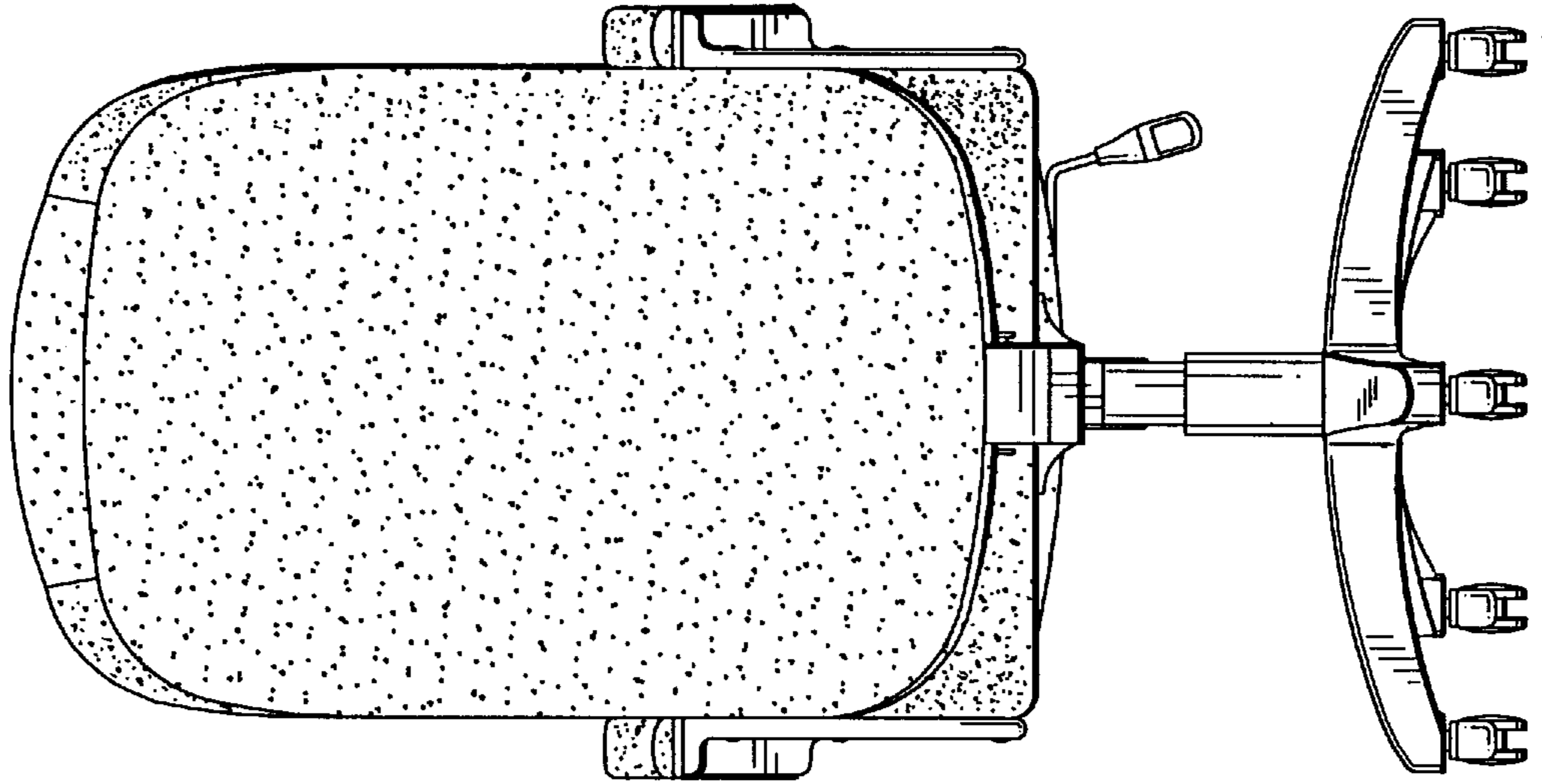


FIG. 2

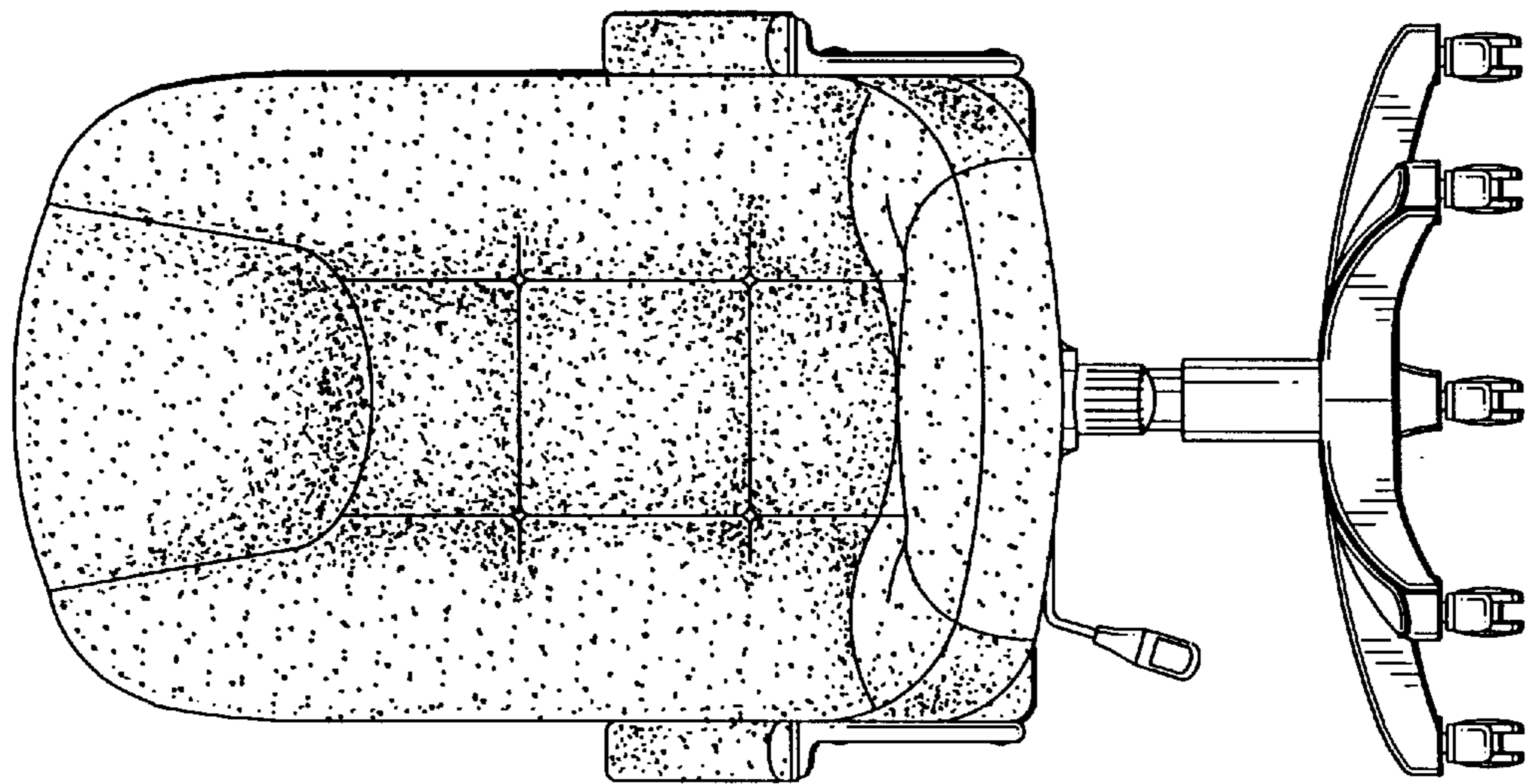


FIG. 3

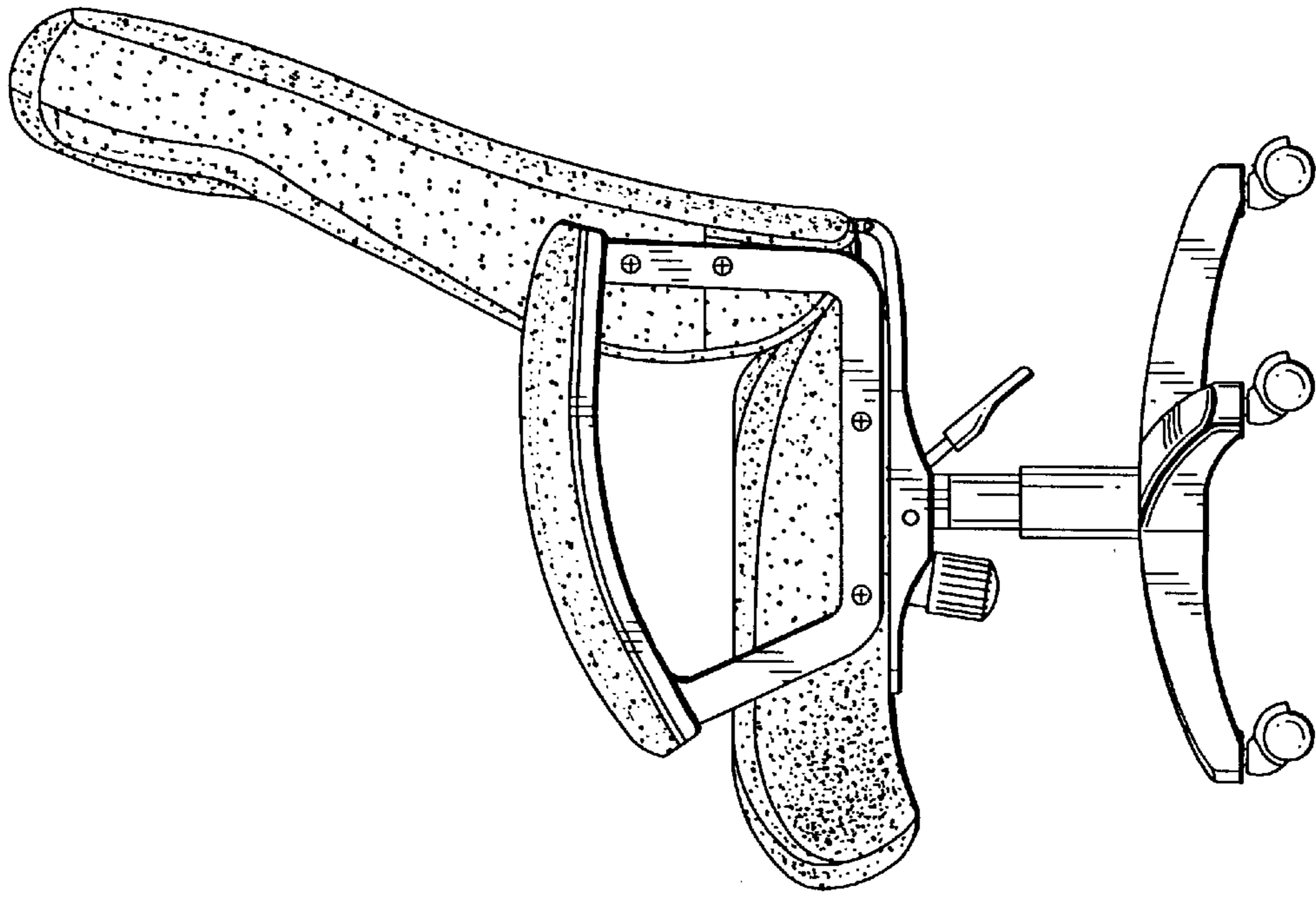


FIG. 5

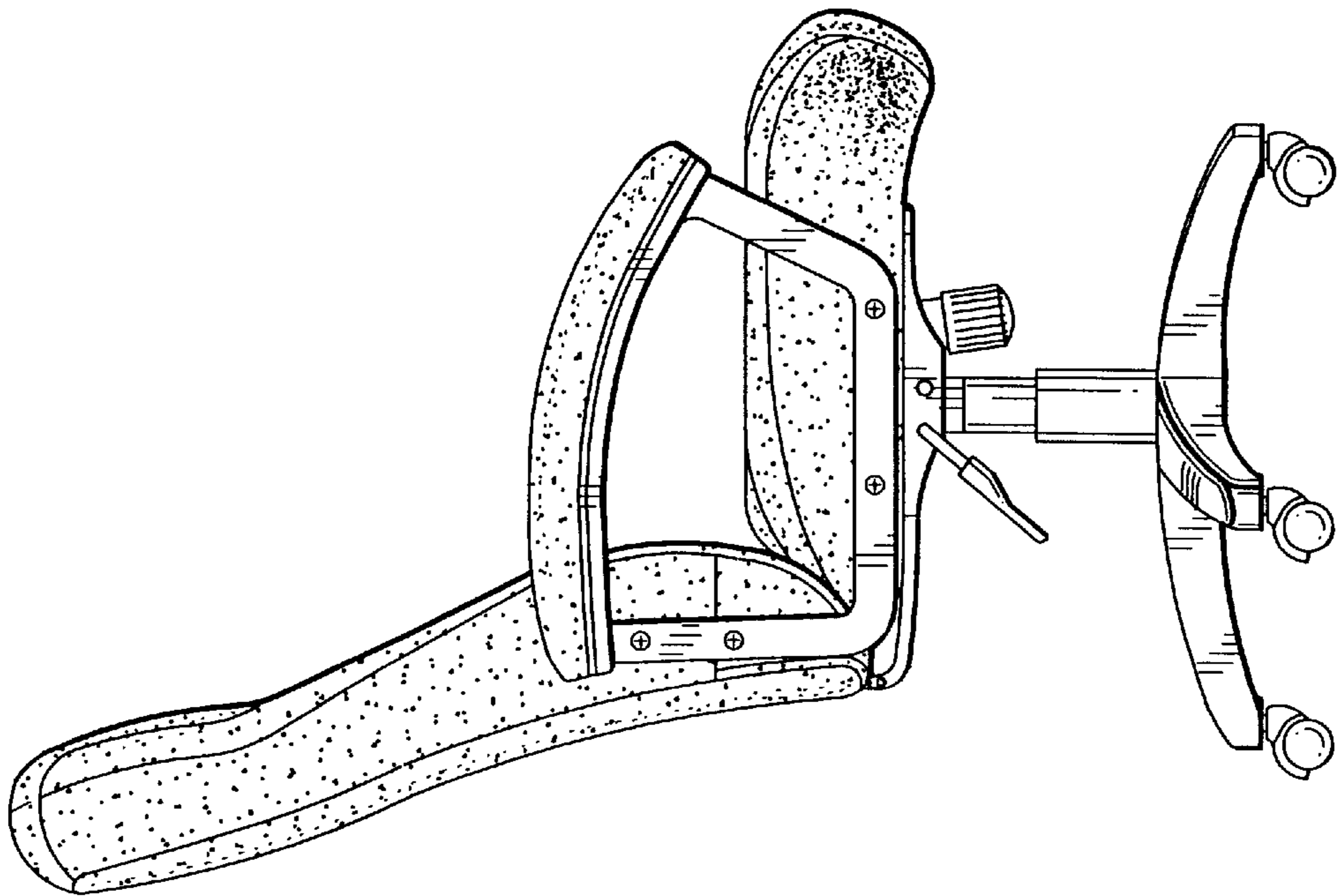


FIG. 4

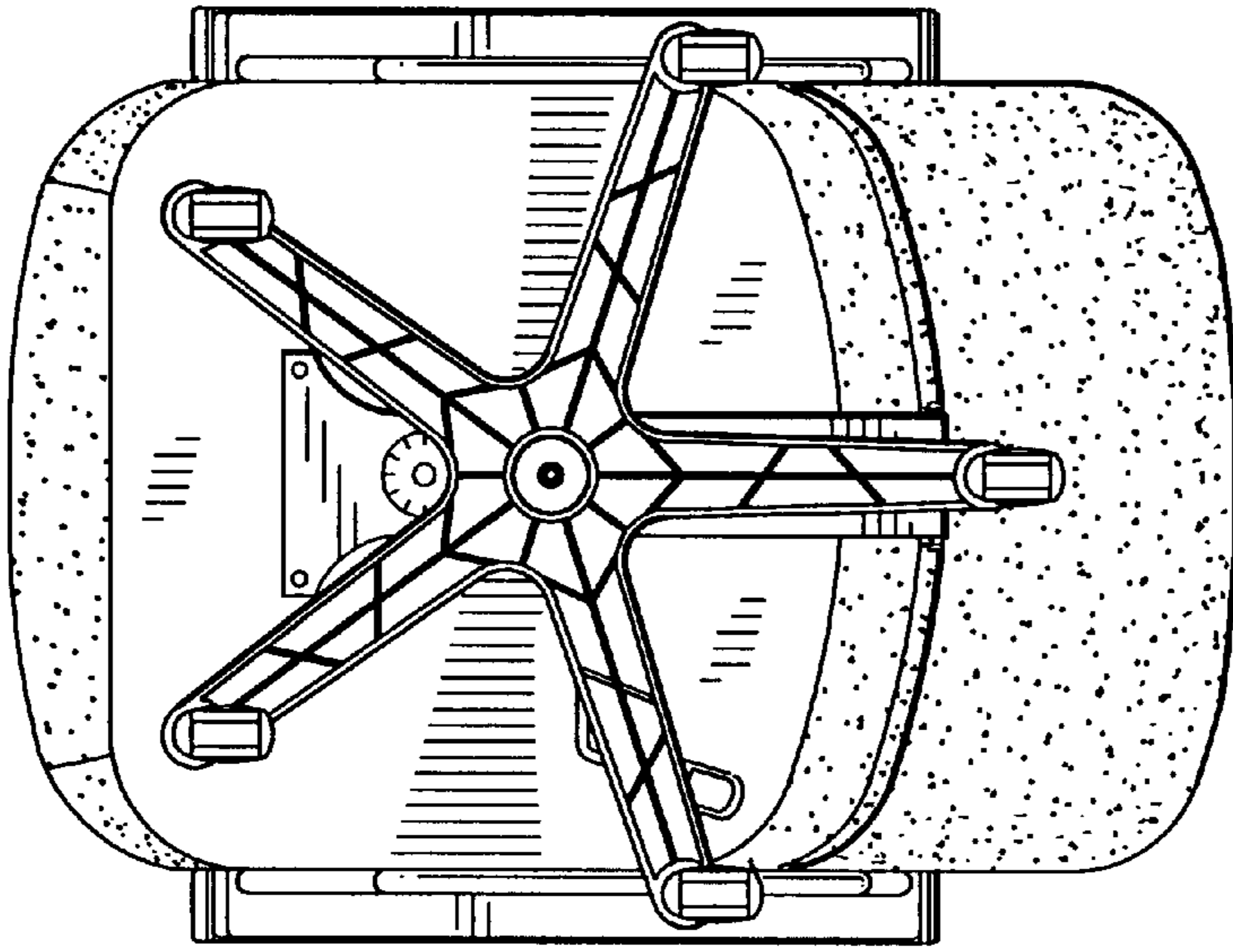


FIG. 7

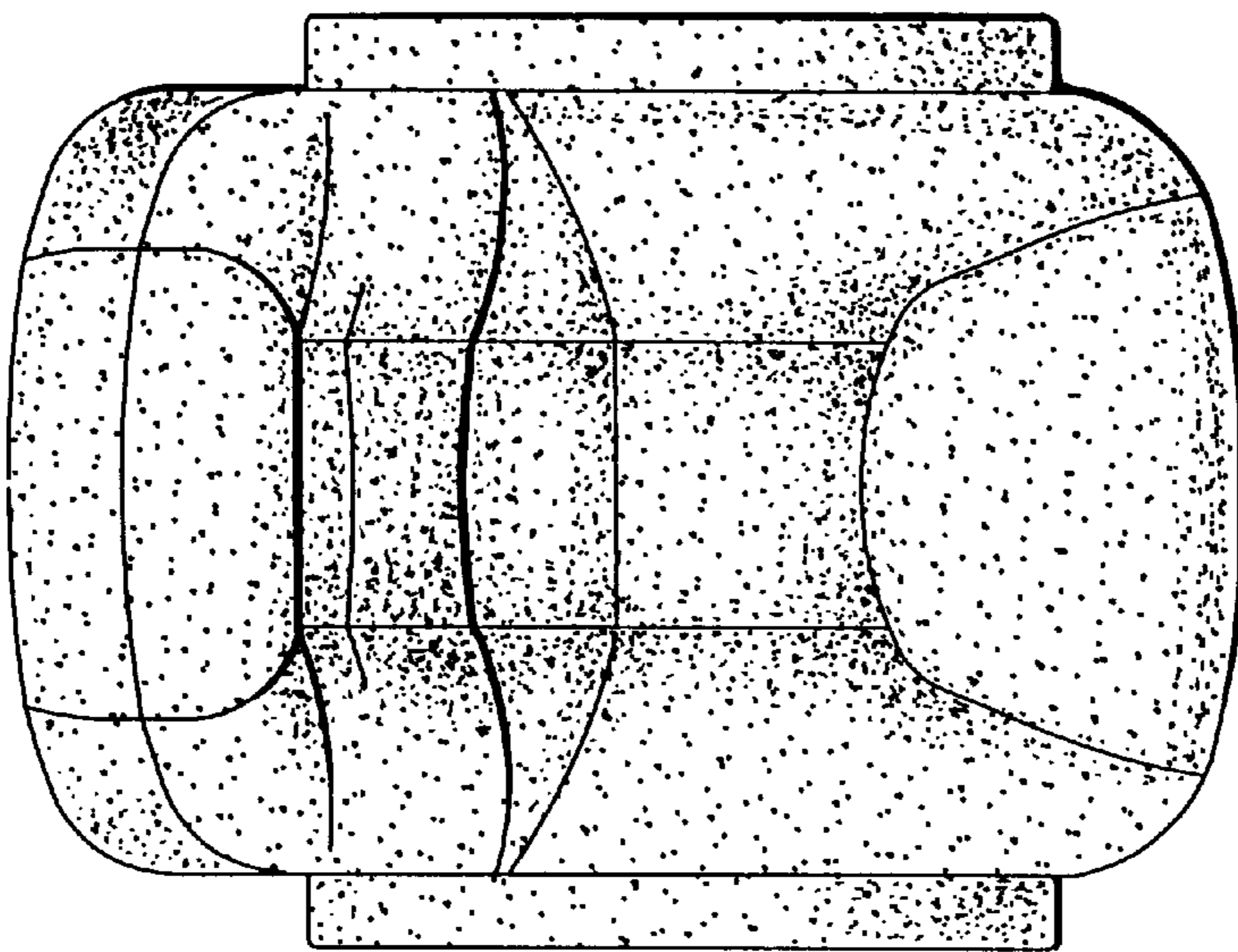


FIG. 6