



US00D437130S

(12) **United States Design Patent**  
**Tseng**

(10) **Patent No.:** **US D437,130 S**

(45) **Date of Patent:** **\*\* Feb. 6, 2001**

(54) **CHAIR**

(75) Inventor: **Chuen-Jong Tseng, Chiayi Hsien (TW)**

(73) Assignee: **Shin Yeh Enterprise Co., Ltd., Chiayi Hsien (TW)**

(\*\*) Term: **14 Years**

(21) Appl. No.: **29/122,502**

(22) Filed: **Apr. 28, 2000**

(51) **LOC (7) Cl.** ..... **06-01**

(52) **U.S. Cl.** ..... **D6/366**

(58) **Field of Search** ..... D6/334, 364, 365,  
D6/366, 367, 379, 380, 500, 501, 502;  
297/411.2, 411.27, 411.28, 411.44, 452.1,  
452.29

(56) **References Cited**

**U.S. PATENT DOCUMENTS**

|            |   |         |                  |       |        |
|------------|---|---------|------------------|-------|--------|
| D. 369,488 | * | 5/1996  | Mediarmid        | ..... | D6/502 |
| D. 374,779 | * | 10/1996 | Feldberg         | ..... | D6/366 |
| D. 403,169 | * | 12/1998 | Tseng            | ..... | D6/366 |
| D. 403,170 | * | 12/1998 | Tseng            | ..... | D6/366 |
| D. 411,380 | * | 6/1999  | Goodworth et al. | ..... | D6/366 |

|            |   |         |               |       |        |
|------------|---|---------|---------------|-------|--------|
| D. 414,630 | * | 10/1999 | Buscio et al. | ..... | D6/500 |
| D. 426,408 | * | 6/2000  | Su            | ..... | D6/501 |

**OTHER PUBLICATIONS**

CT-102HB, no page #, Chair Team brochure, Mar. 2000.\*

\* cited by examiner

*Primary Examiner*—Doris V. Coles

*Assistant Examiner*—Mimosa De

(74) *Attorney, Agent, or Firm*—Ladas & Parry

(57) **CLAIM**

The ornamental design for chair, as shown and described.

**DESCRIPTION**

FIG. 1 is a perspective view of chair showing my new design;

FIG. 2 is a front elevational view thereof;

FIG. 3 is a rear elevational view thereof;

FIG. 4 is a left side elevational view thereof;

FIG. 5 is a right side elevational view thereof;

FIG. 6 is a top plan view thereof; and,

FIG. 7 is a bottom plan view thereof.

**1 Claim, 4 Drawing Sheets**



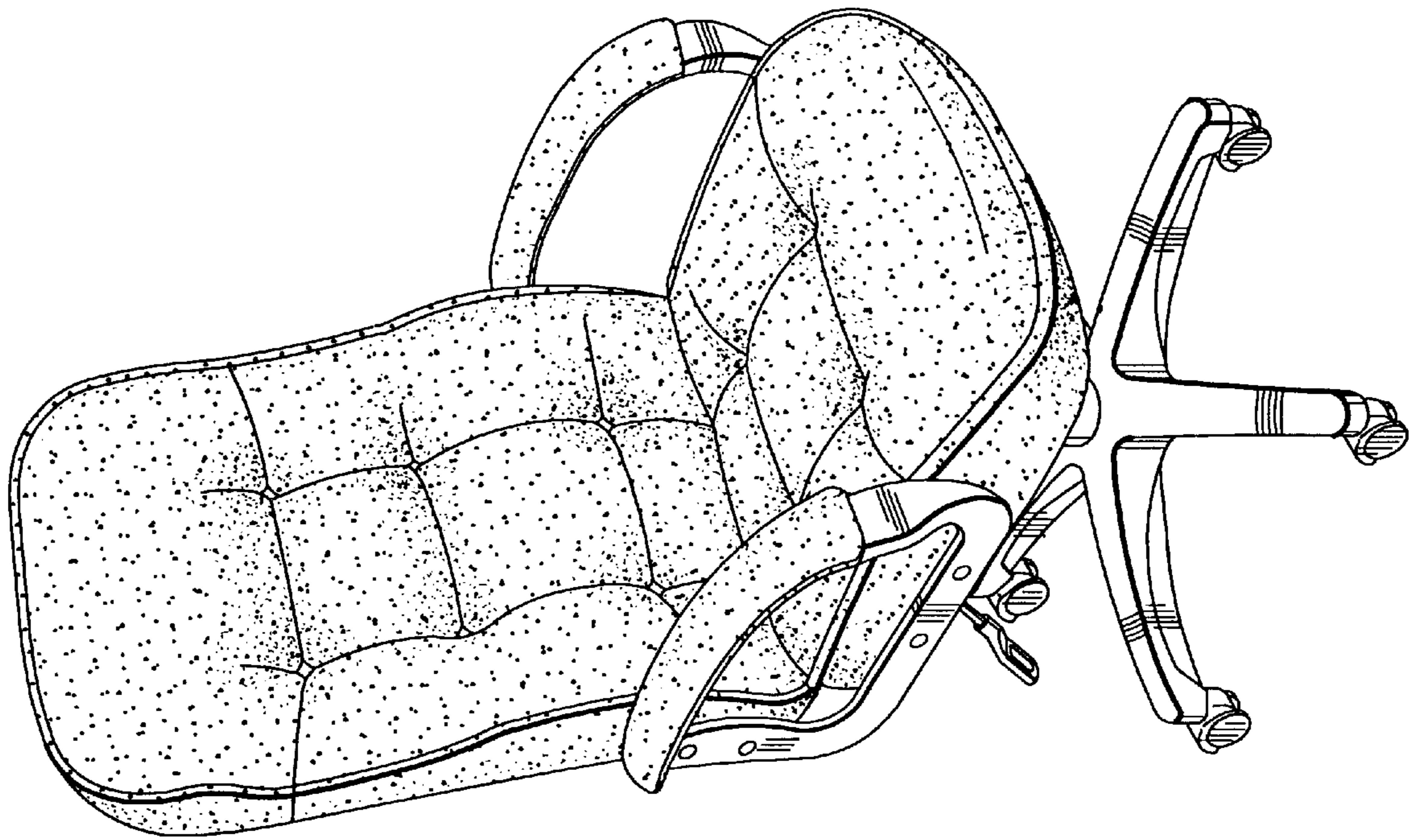


FIG. 1

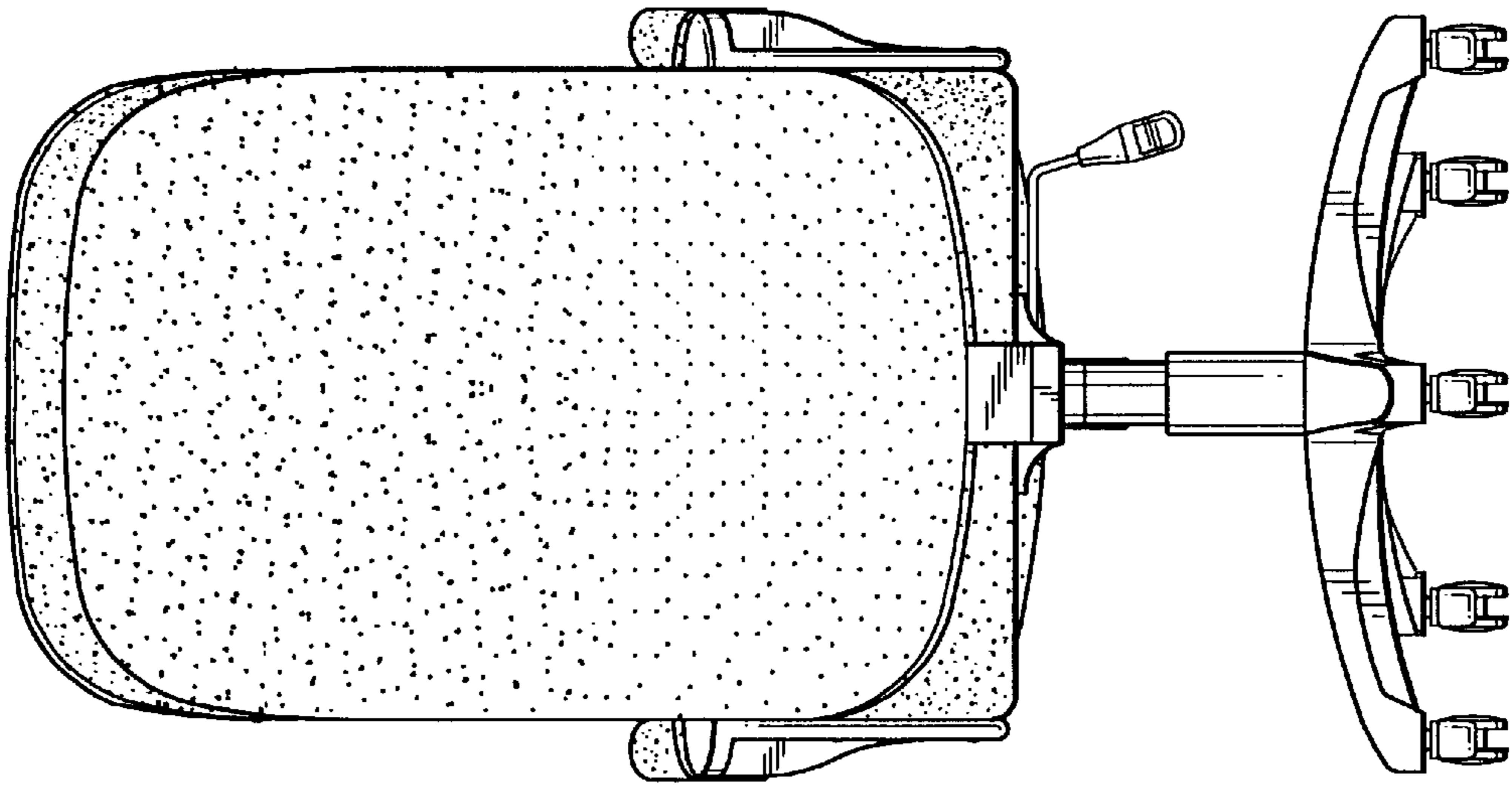


FIG. 3

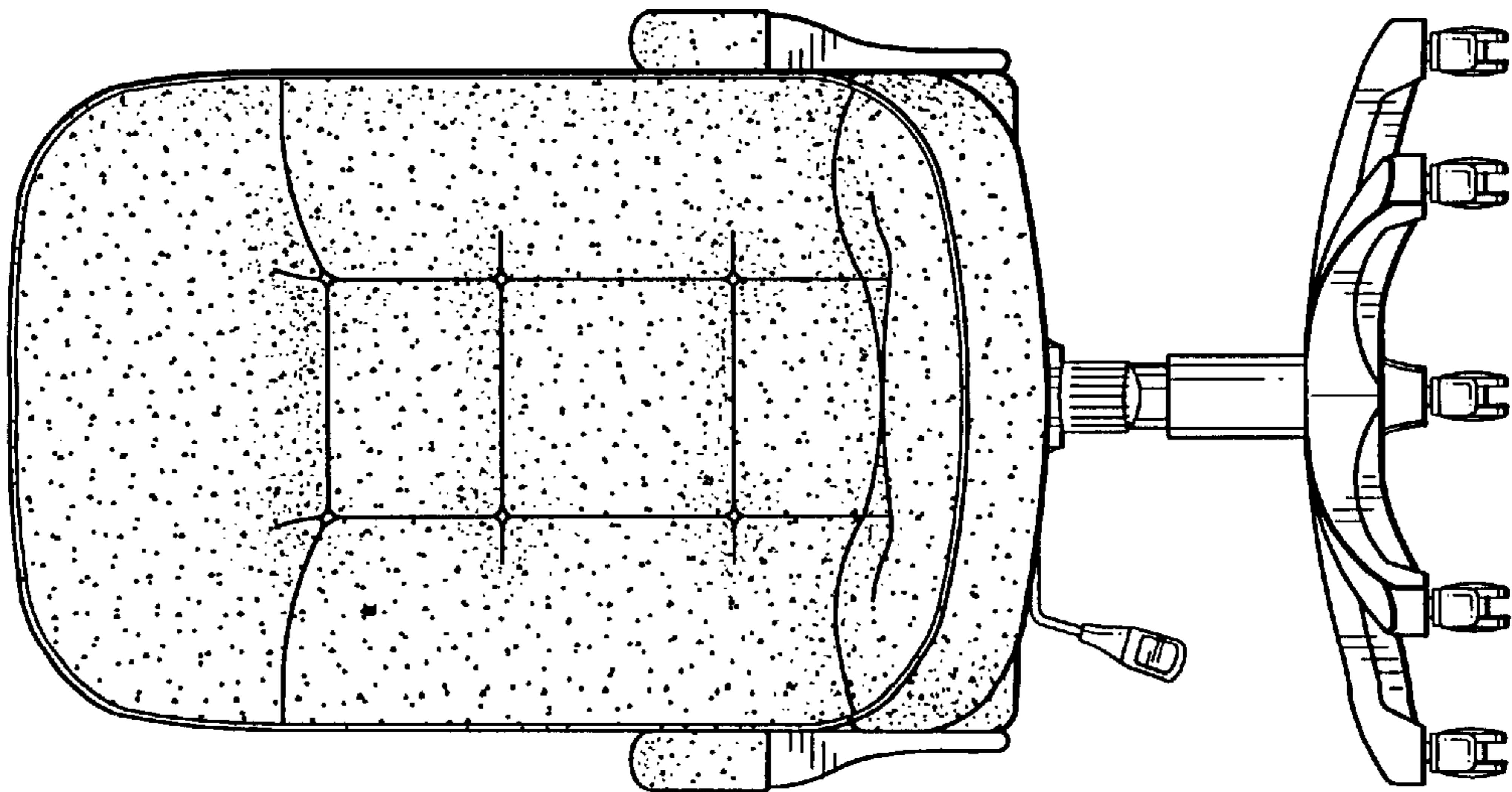


FIG. 2

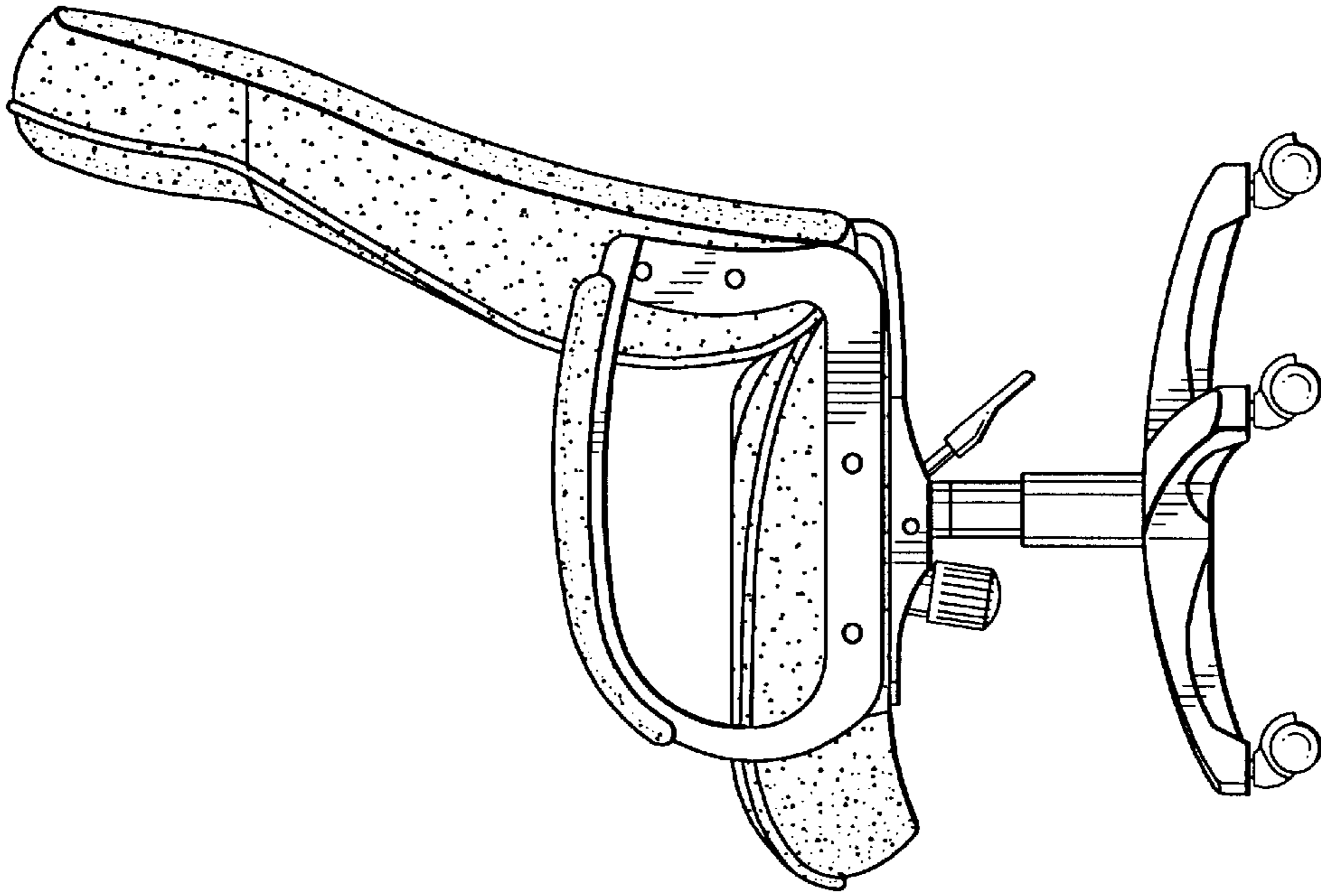


FIG. 5

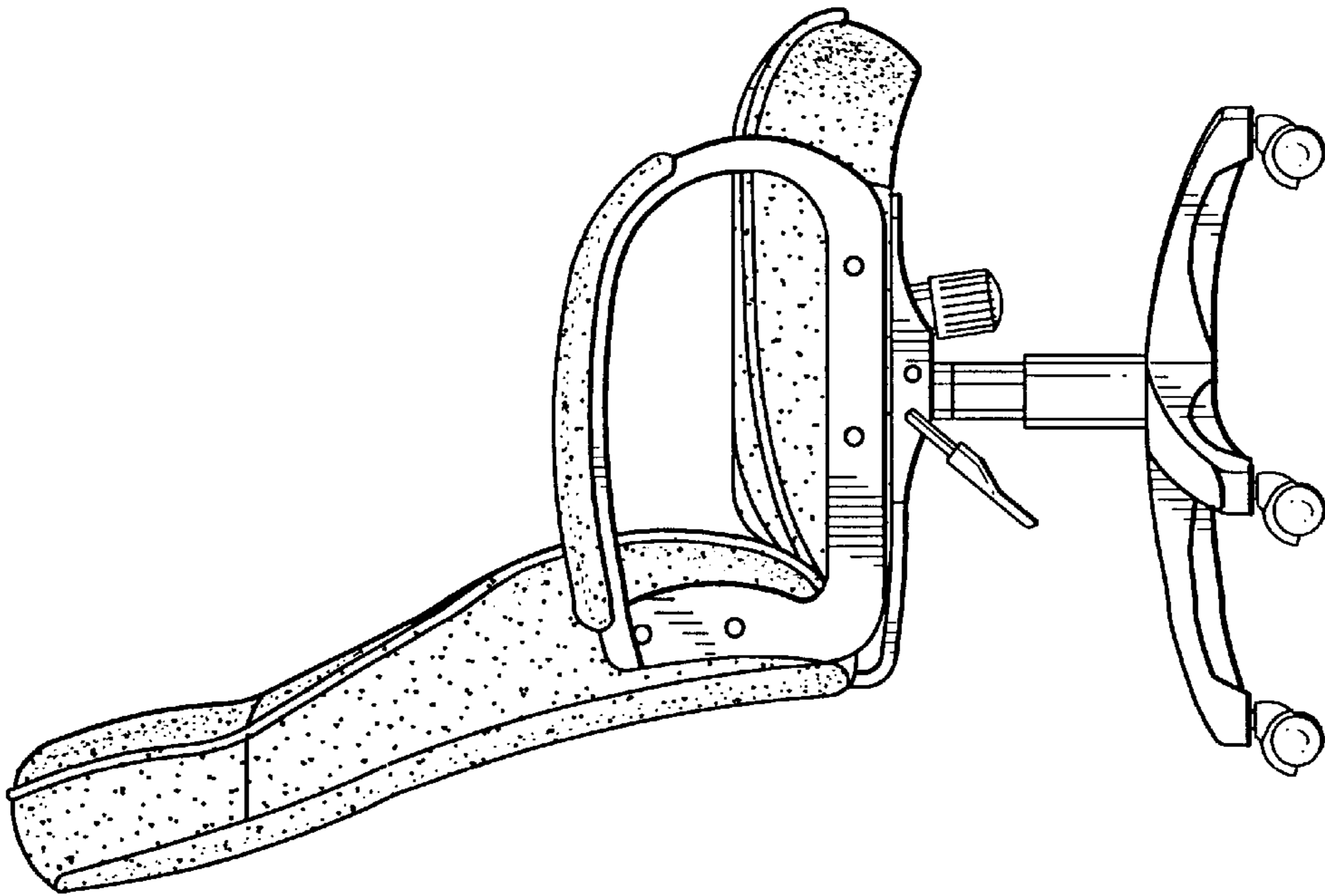


FIG. 4

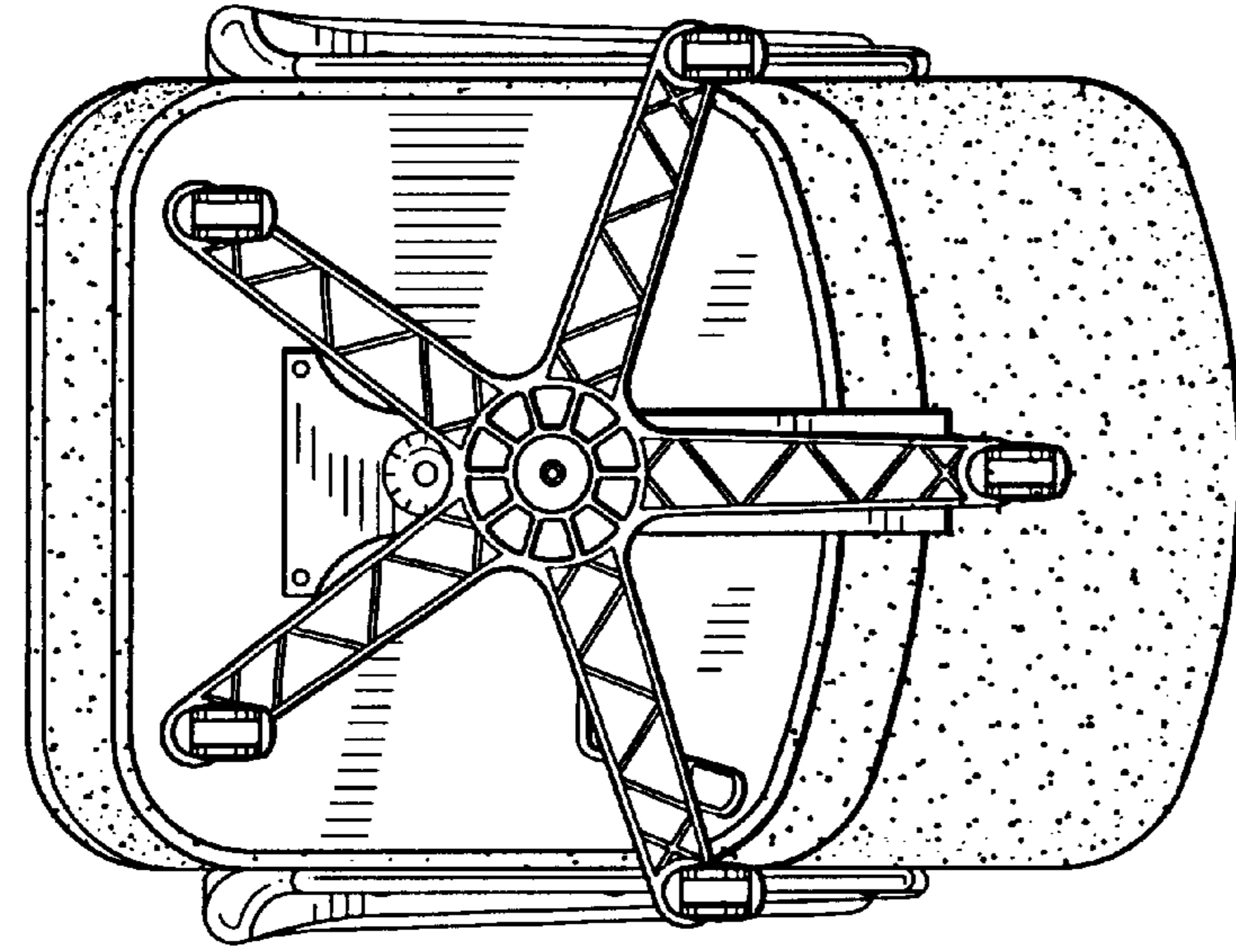


FIG. 7

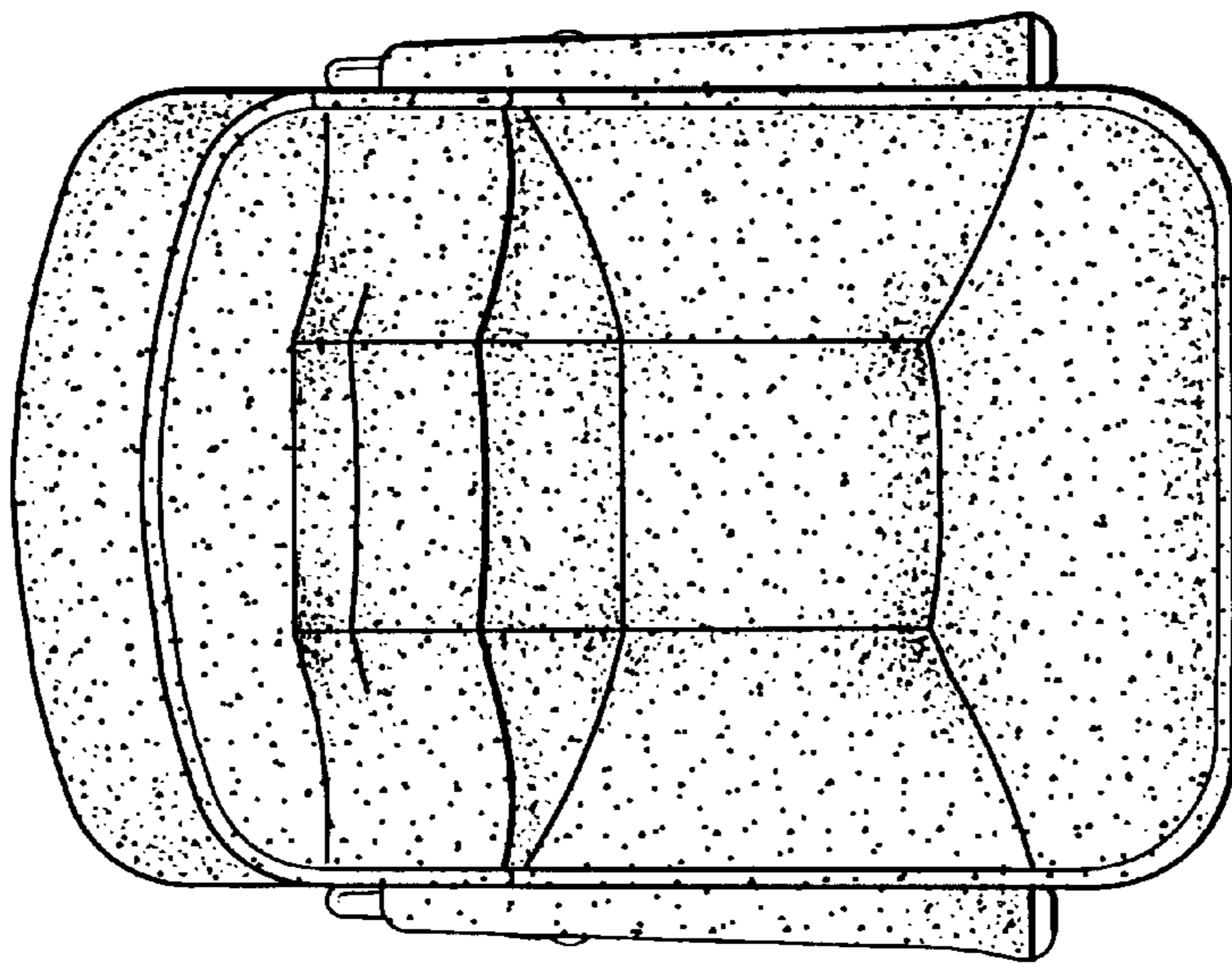


FIG. 6