



US00D437128S

(12) **United States Design Patent**
Binder et al.

(10) **Patent No.:** **US D437,128 S**

(45) **Date of Patent:** **** Feb. 6, 2001**

(54) **CHAISE LONGUE**

D. 400,364 * 11/1998 Hutton D6/361

(76) Inventors: **Adele H. Binder**, 130 Delfern Dr., Los Angeles, CA (US) 90077; **Brad M. Hunter**, 1480 Rising Glen Rd., Los Angeles, CA (US) 90069

OTHER PUBLICATIONS

(Nic).Liesenbein's Sons, p. 86, Lounge # 4010 at top left, ©1921.*

(**) Term: **14 Years**

* cited by examiner

(21) Appl. No.: **29/109,658**

Primary Examiner—Gary D. Watson

(22) Filed: **Aug. 19, 1999**

(74) *Attorney, Agent, or Firm*—Marshall, O'Toole, Gerstein, Murray & Borun

(51) **LOC (7) Cl.** **06-01**

(52) **U.S. Cl.** **D6/361**

(58) **Field of Search** D6/334, 335, 336, D6/360, 361, 377, 500, 501, 502; 5/12.1, 733; 297/423.1, 445.1, 446.1, DIG. 7

(57) **CLAIM**

The ornamental design for a chaise longue, as shown.

(56) **References Cited**

U.S. PATENT DOCUMENTS

D. 92,465	*	6/1934	Granovsky	D6/335
D. 93,384	*	9/1934	Daly	D6/334
D. 252,489	*	7/1979	Petersille	D6/361
D. 269,482	*	6/1983	Ongaro	D6/361
D. 387,572	*	12/1997	Lewis	D6/361

DESCRIPTION

FIG. 1 is a perspective view of a chaise longue in accordance with the present invention;
FIG. 2 is a front view of the chaise longue of FIG. 1;
FIG. 3 is a right-side view of the chaise longue;
FIG. 4 is a back view of the chaise longue;
FIG. 5 is a left-side view of the chaise longue; and,
FIG. 6 is a top view of the chaise longue.

1 Claim, 2 Drawing Sheets

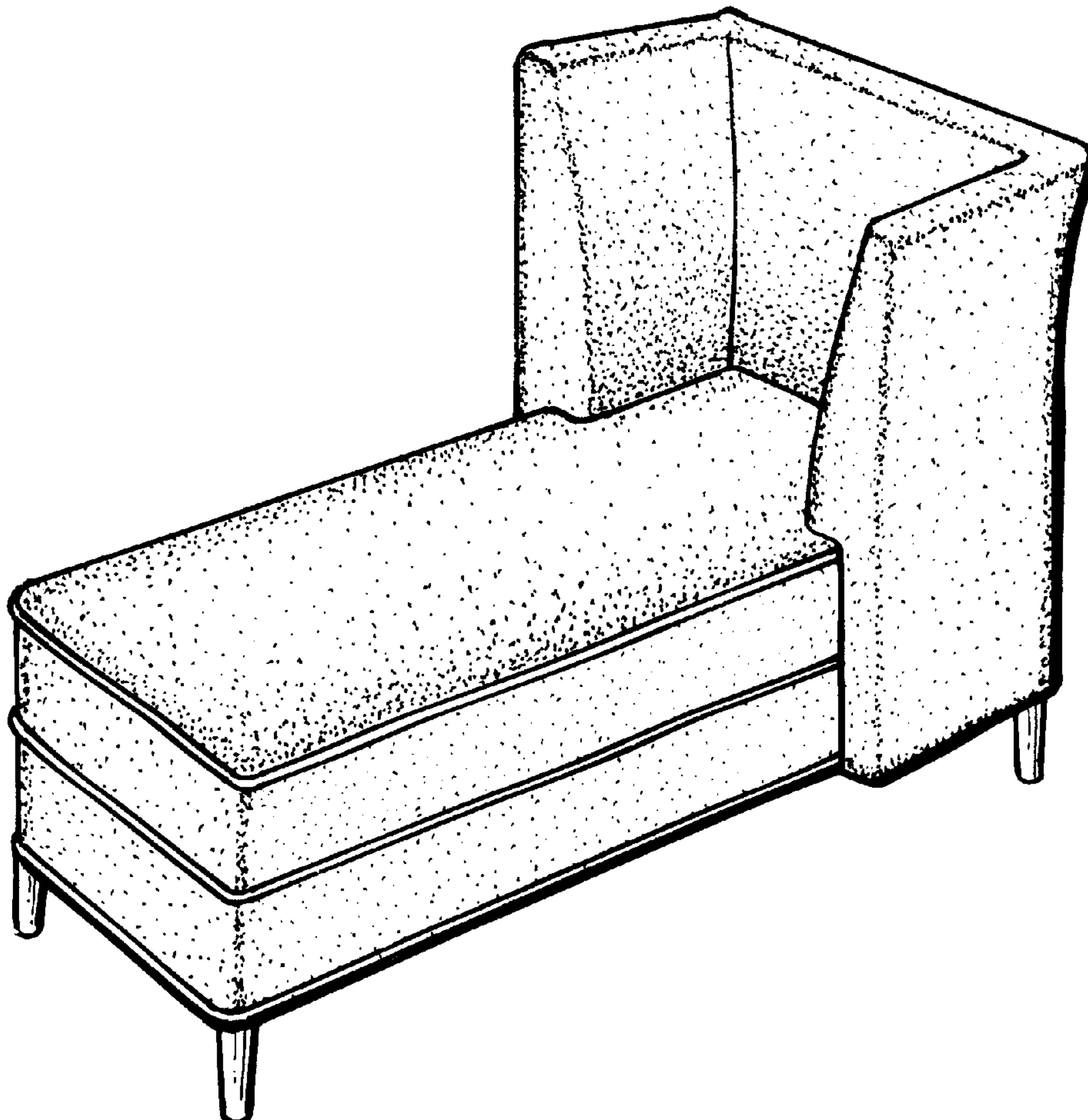


FIG.1

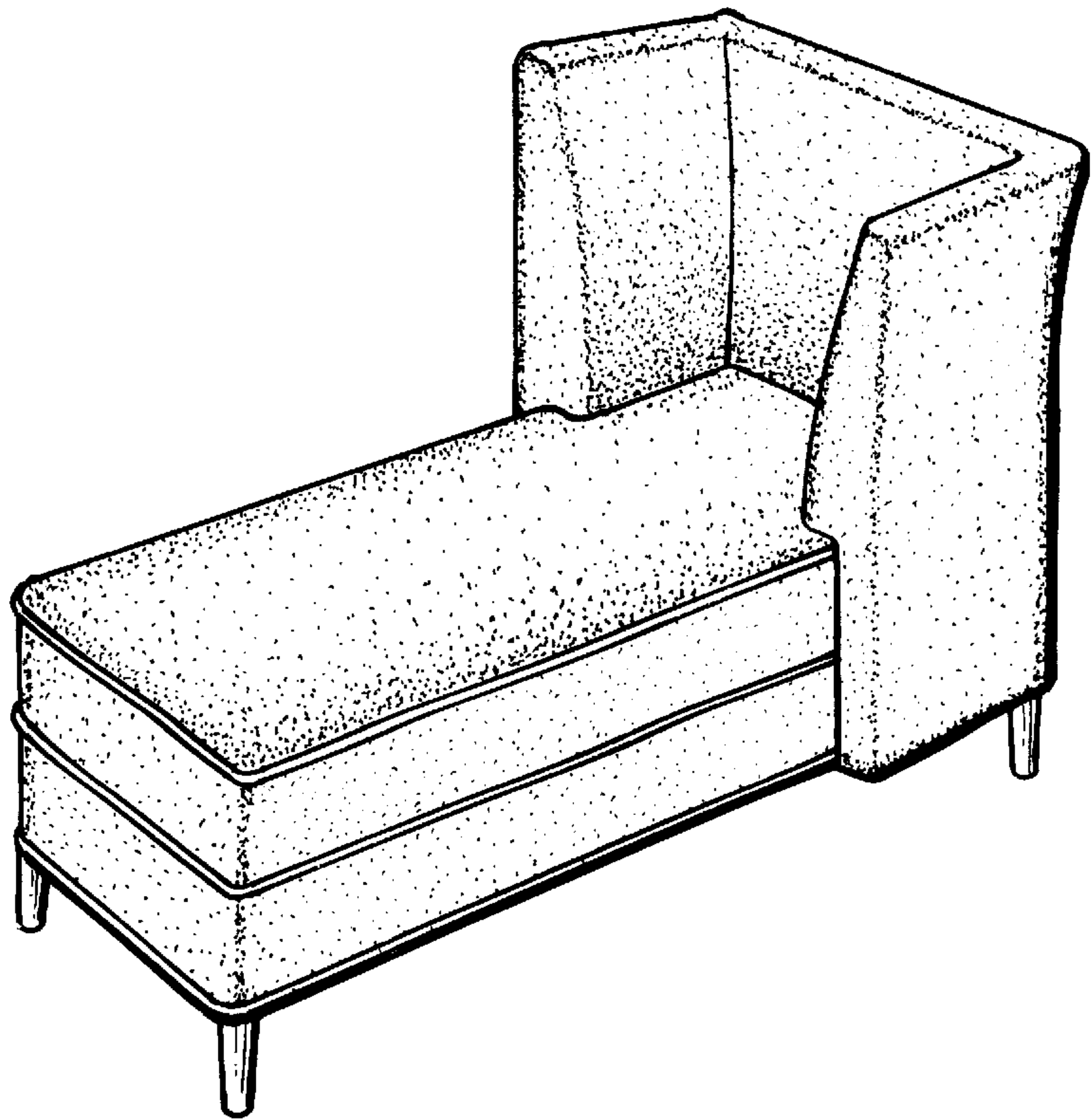


FIG.2

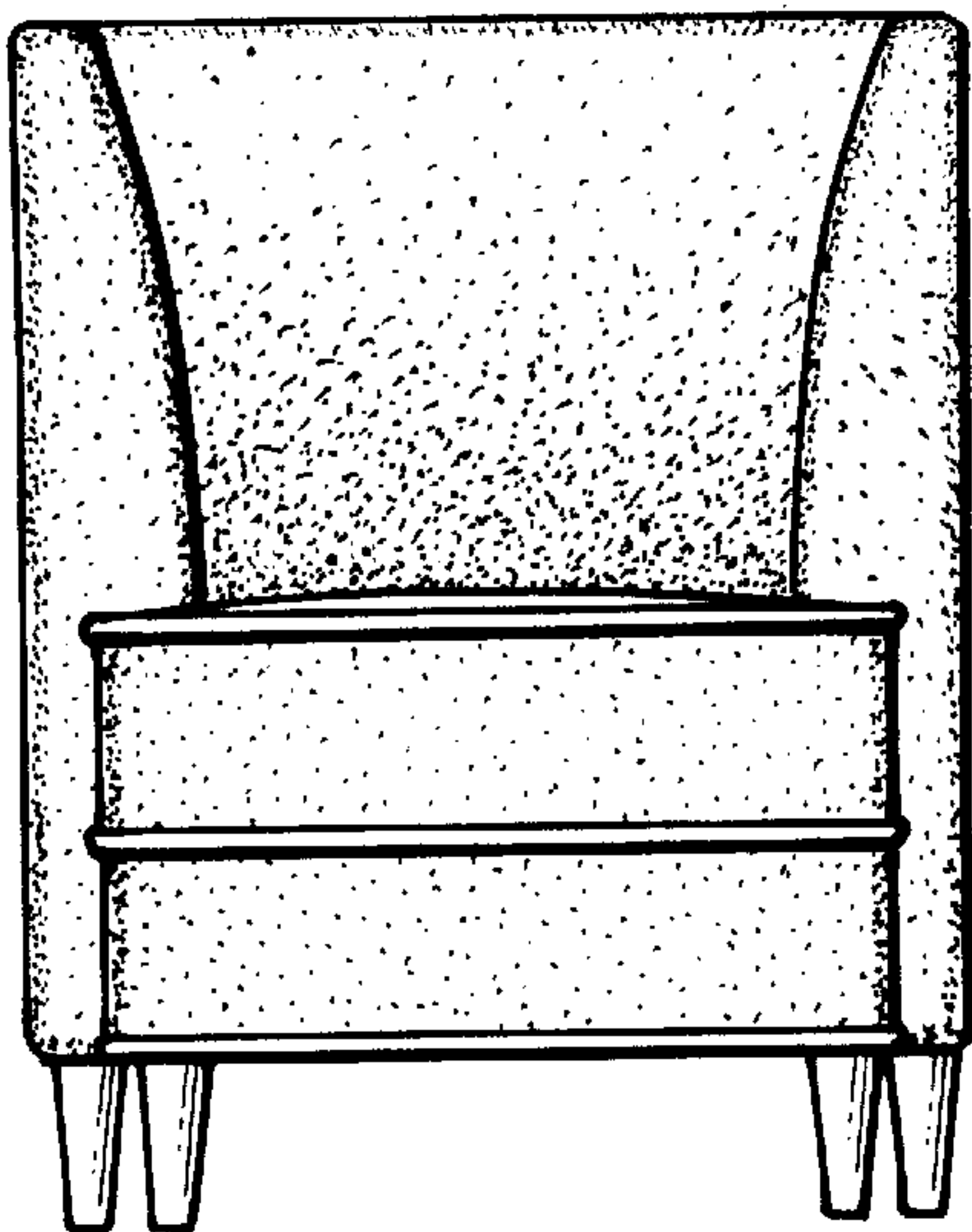


FIG.3

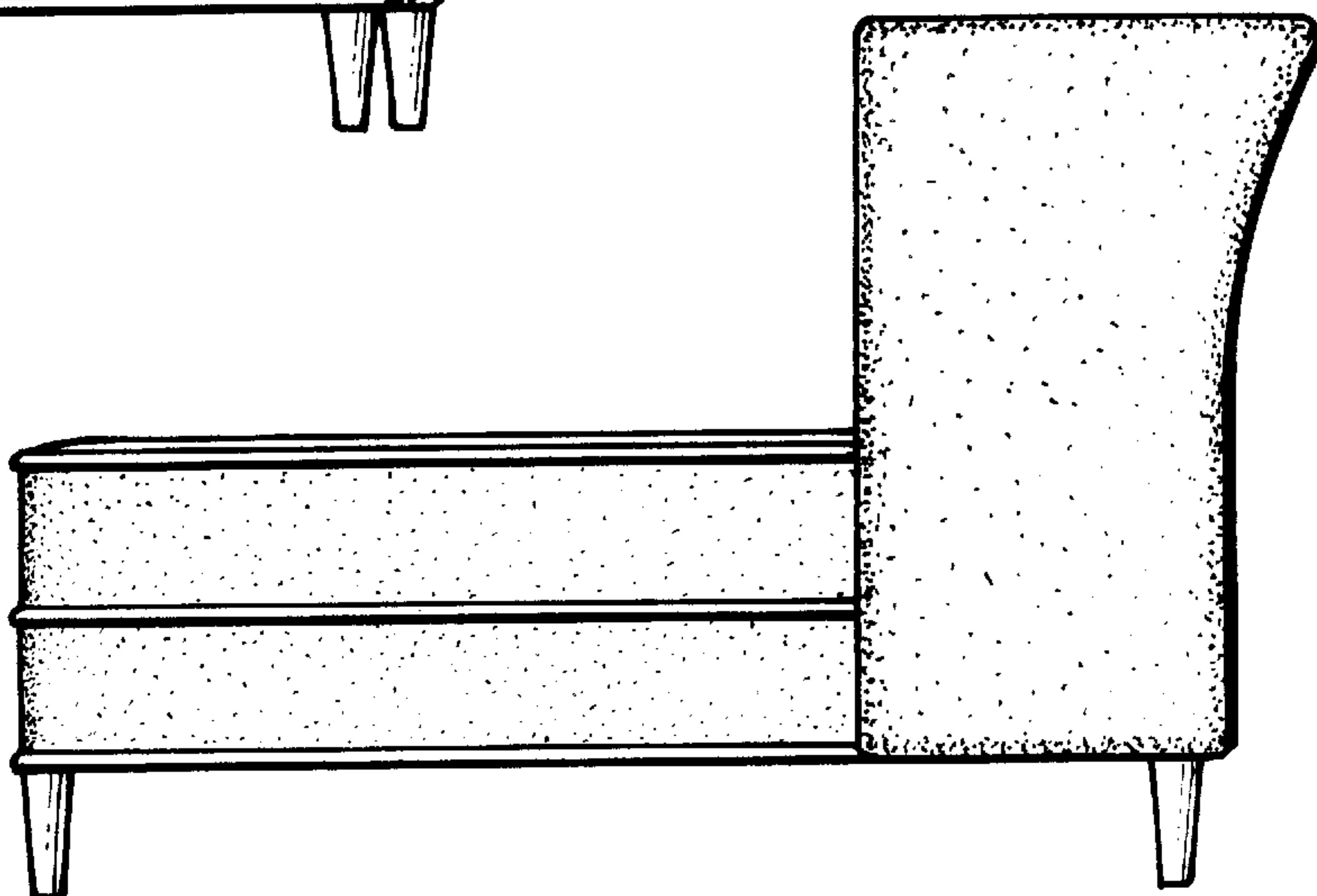


FIG. 4

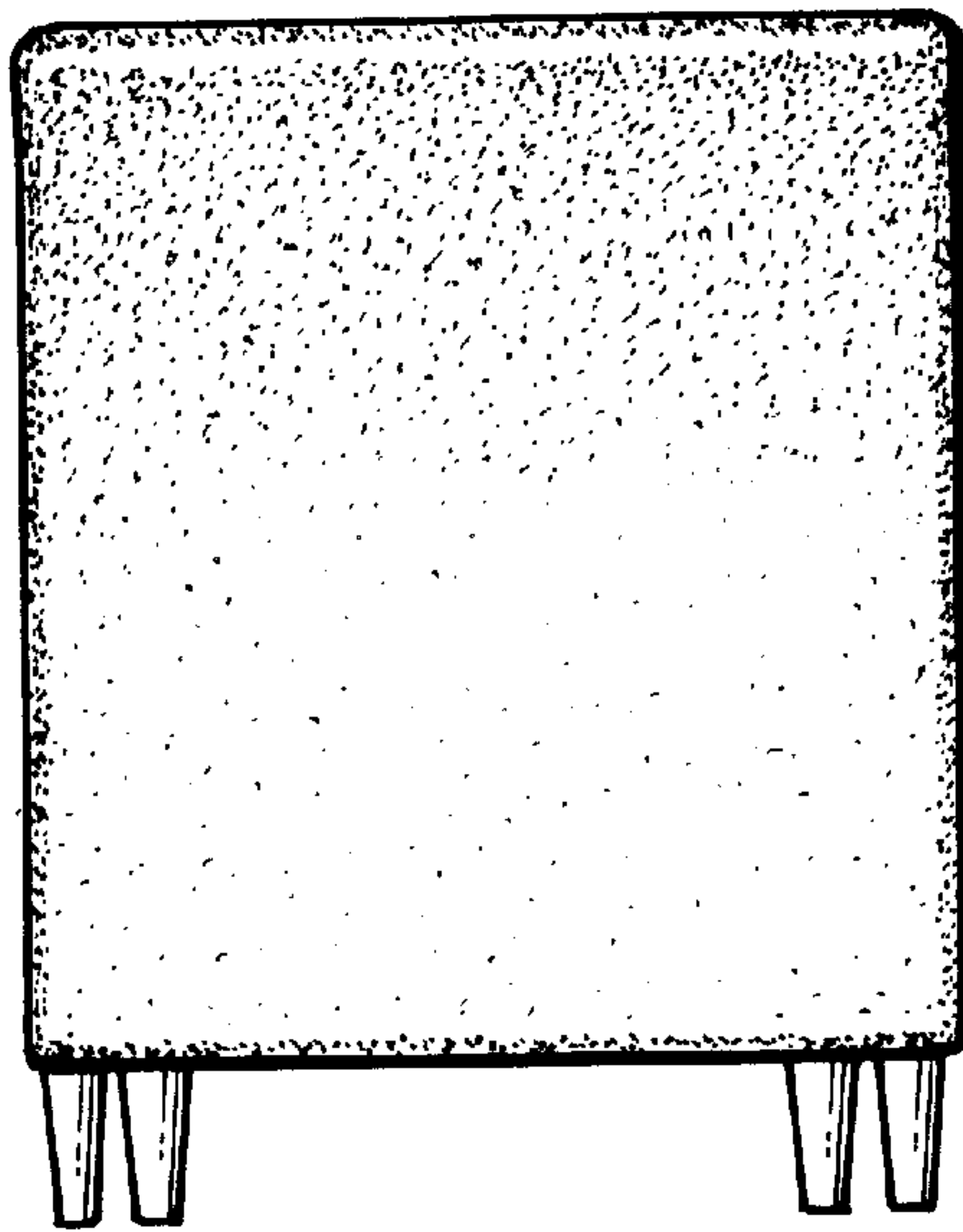


FIG. 5

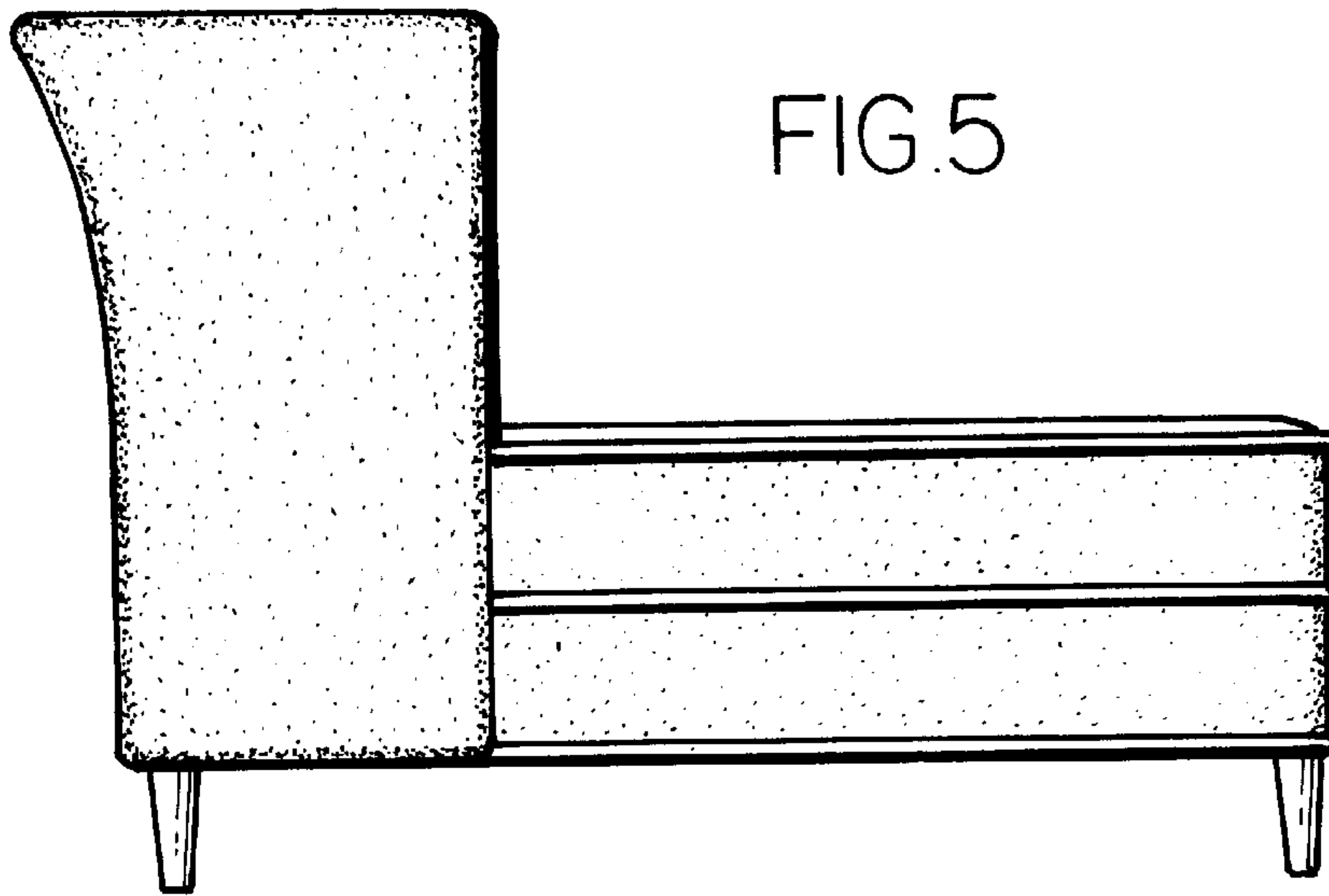


FIG. 6

