



US00D437124S

(12) **United States Design Patent**
Kemnitzer

(10) **Patent No.:** **US D437,124 S**

(45) **Date of Patent:** **** Feb. 6, 2001**

(54) **CHAIR**

(75) **Inventor:** **Ronald B. Kemnitzer**, Olathe, KS (US)

(73) **Assignee:** **Virco Mfg. Corporation**, Torrance, CA (US)

(**) **Term:** **14 Years**

(21) **Appl. No.:** **29/095,904**

(22) **Filed:** **Oct. 30, 1998**

(51) **LOC (7) Cl.** **06-01**

(52) **U.S. Cl.** **D6/334**

(58) **Field of Search** D6/334, 335, 374,
D6/375, 380, 381, 500, 501, 502; 297/239,
248, 445.1

(56) **References Cited**

U.S. PATENT DOCUMENTS

- D. 297,890 * 10/1988 Hockenberry et al. D6/380 X
- D. 308,604 * 6/1990 Verkerke D6/334
- D. 315,836 * 4/1991 Kaiser D6/334

- D. 333,733 * 3/1993 Sammons D6/334
- D. 396,960 * 8/1998 Maly D6/334
- D. 401,769 * 12/1998 Raiser D6/334
- 4,655,504 * 4/1987 Weber 297/239
- 5,282,669 * 2/1994 Barile 297/248

* cited by examiner

Primary Examiner—Gary D. Watson

(74) *Attorney, Agent, or Firm*—James E. Brunton, Esquire

(57) **CLAIM**

The ornamental design for chair, as shown.

DESCRIPTION

FIG. 1 is a generally perspective view of a chair showing my new design;

FIG. 2 is a front view thereof;

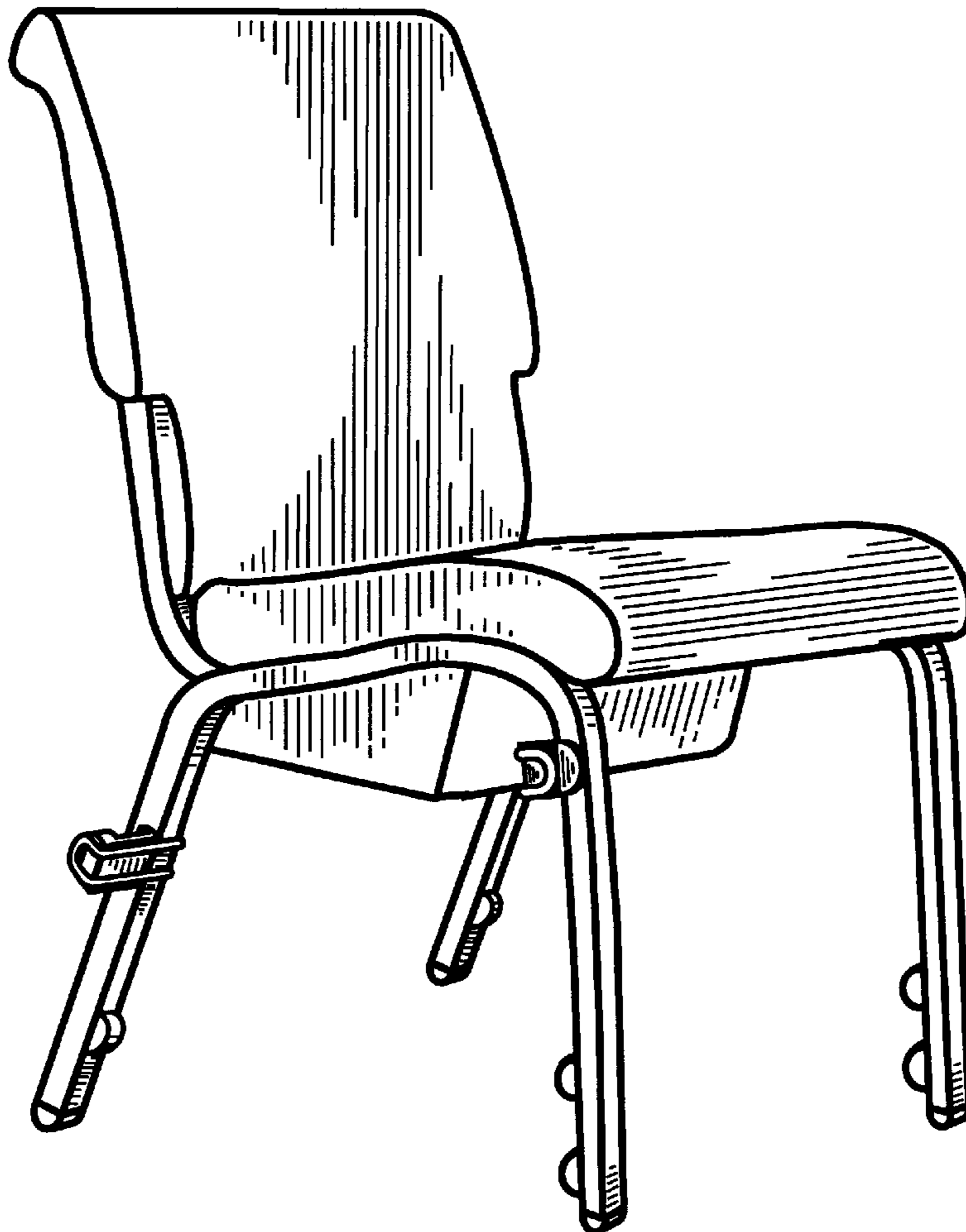
FIG. 3 is a rear view thereof;

FIG. 4 is a left side view thereof;

FIG. 5 is a right side view thereof; and,

FIG. 6 is a top plan view thereof.

1 Claim, 4 Drawing Sheets



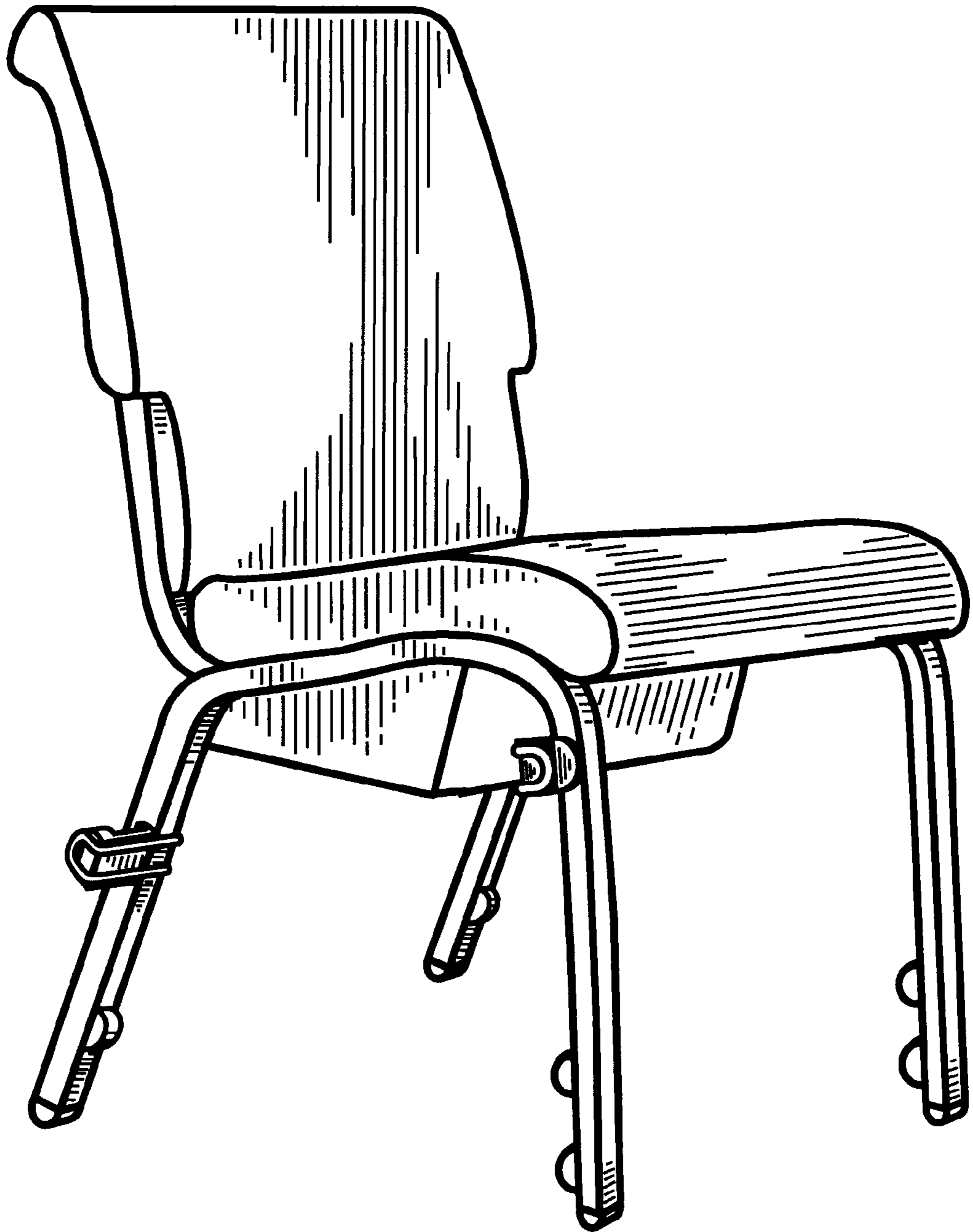


Figure 1

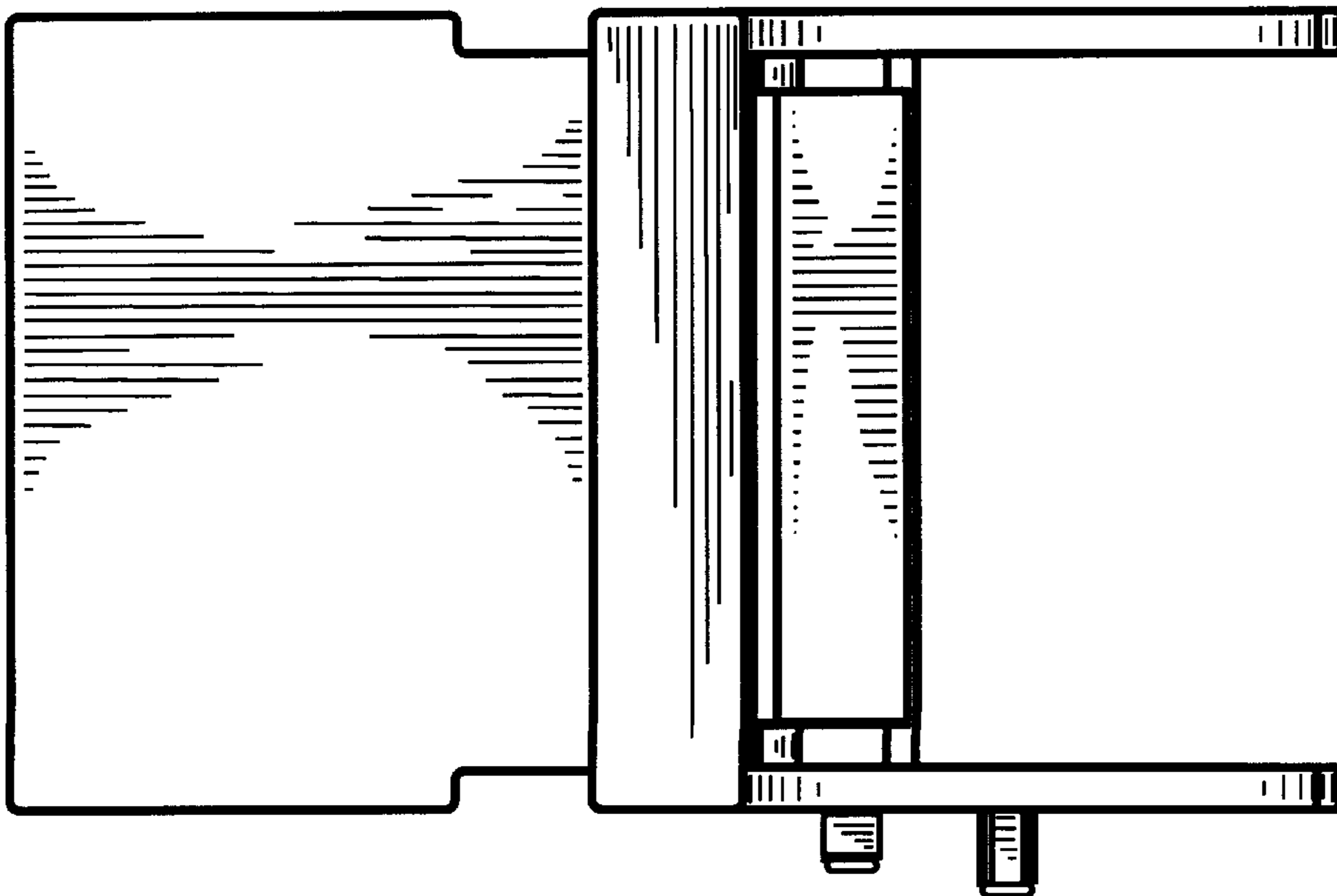


Figure 2

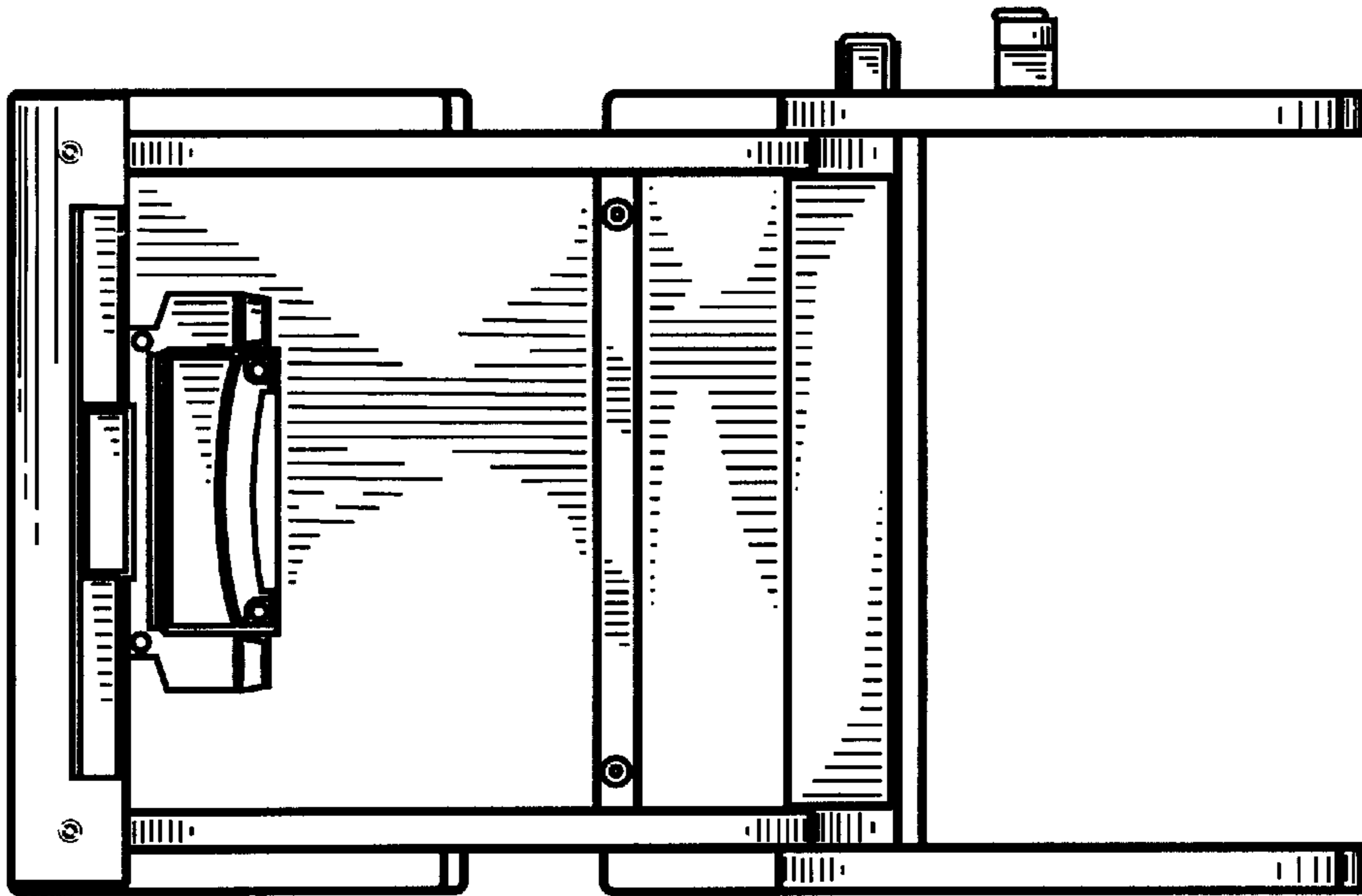


Figure 3

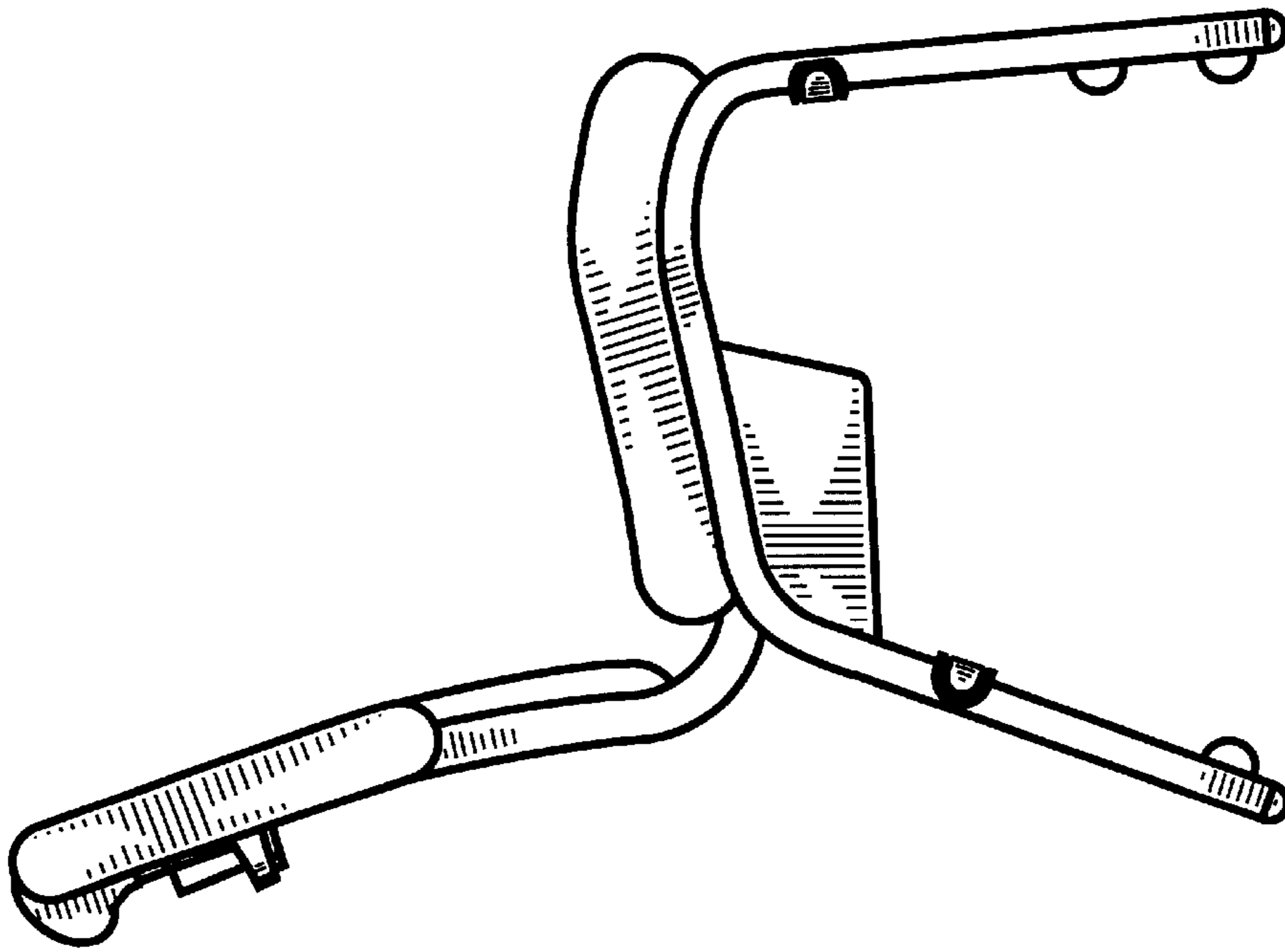


Figure 4

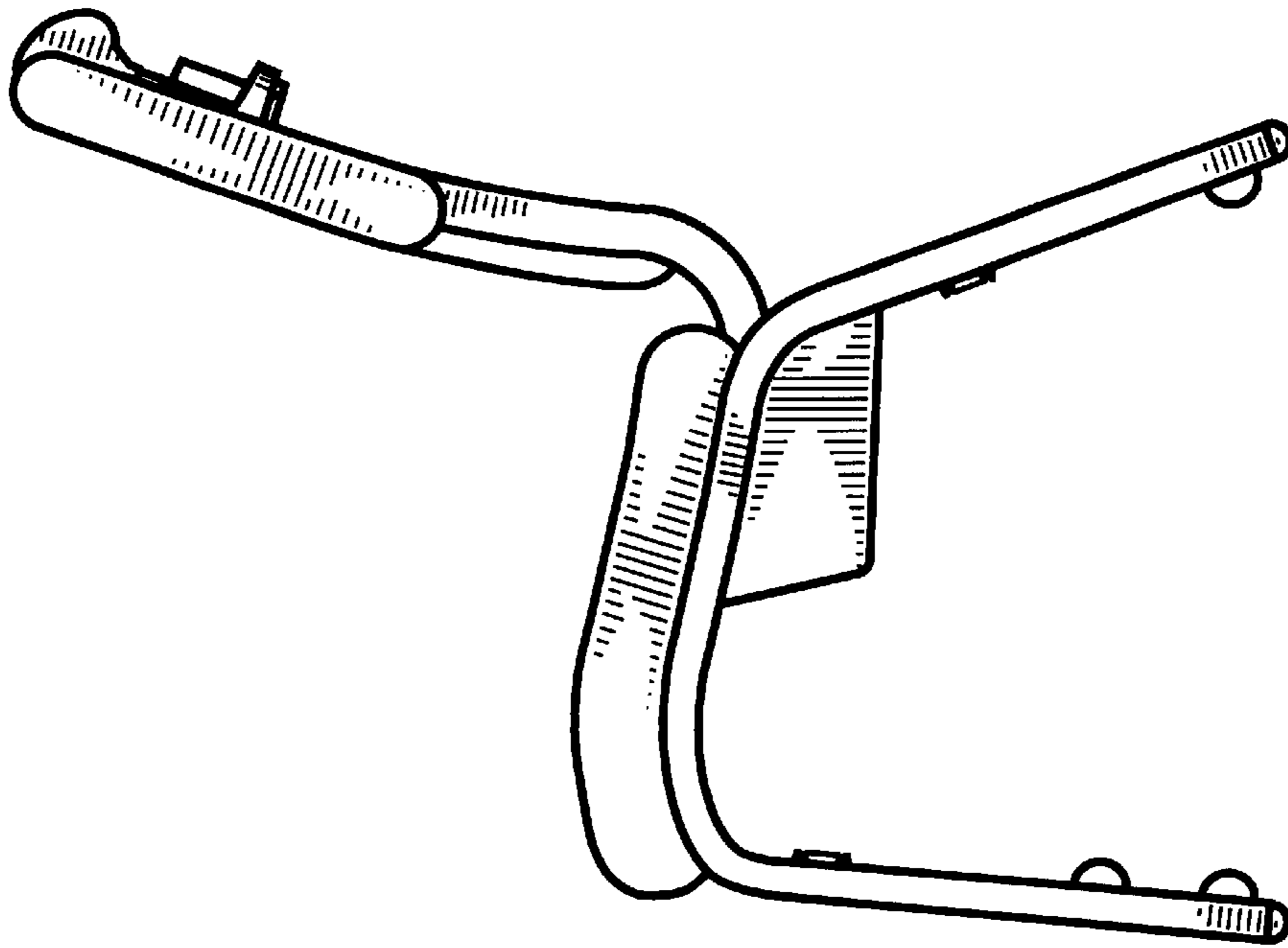


Figure 5

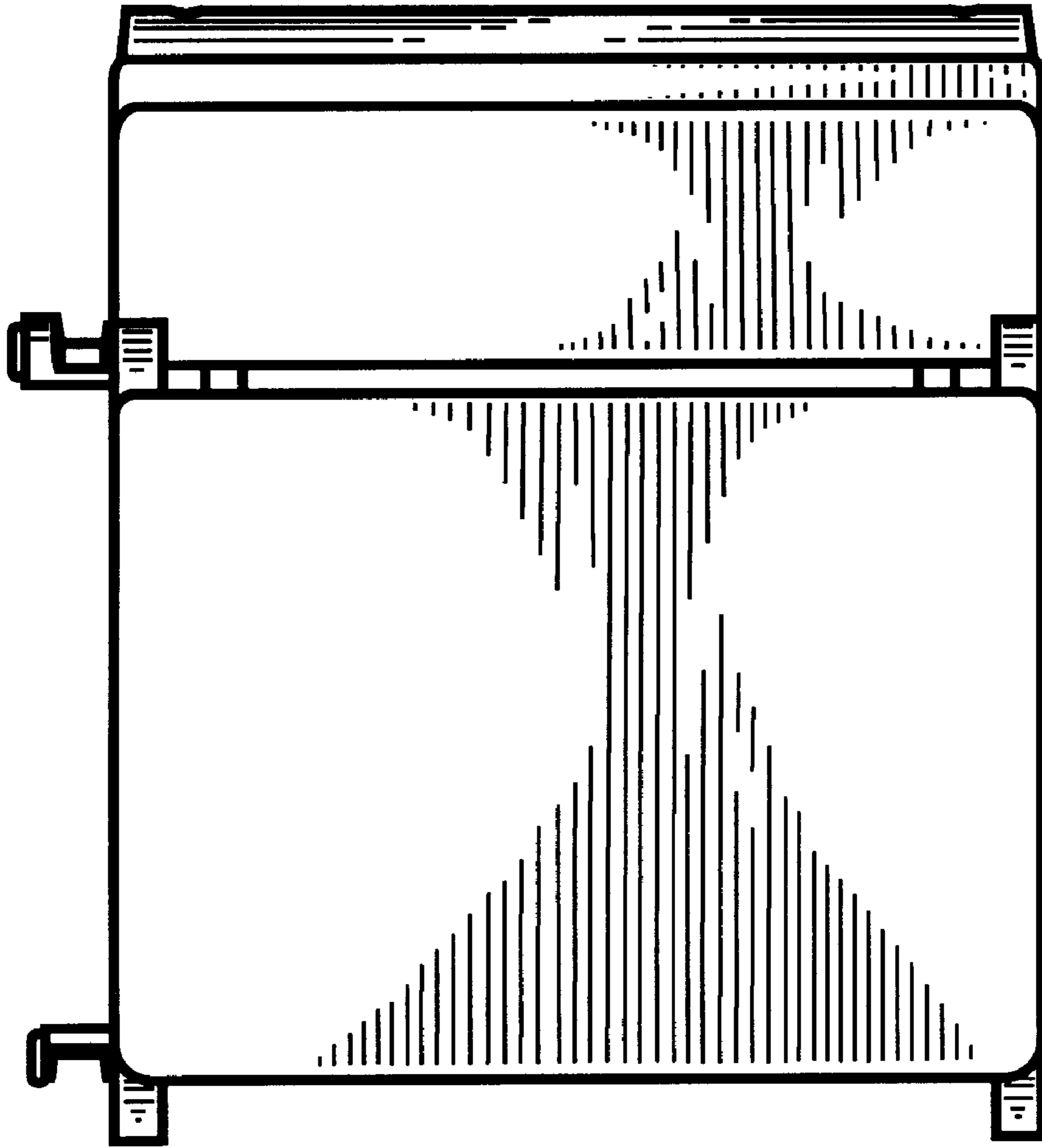


Figure 6