



US00D437123S

(12) **United States Design Patent** (10) **Patent No.:** **US D437,123 S**
Leon (45) **Date of Patent:** **** Feb. 6, 2001**

(54) **FIGURINE PHOTOGRAPH HOLDER**

(75) Inventor: **Ernesto Alberto Leon**, Alhambra, CA (US)

(73) Assignee: **CBS Designs, Inc.**, Framingham, MA (US)

(**) Term: **14 Years**

(21) Appl. No.: **29/115,414**

(22) Filed: **Dec. 14, 1999**

(51) **LOC (7) Cl.** **06-07**

(52) **U.S. Cl.** **D6/305; D6/300**

(58) **Field of Search** D6/300-306, 308-314;
D20/29, 30, 31, 23-25, 32, 33; 40/700,
711, 734, 735, 738, 765, 790, 798, 800;
D21/621; D11/133, 136

(56) **References Cited**

U.S. PATENT DOCUMENTS

- D. 113,238 * 2/1939 Reighard D20/30
- D. 131,540 * 3/1942 Phillips D21/621
- D. 197,427 * 2/1964 Jones et al. D20/31
- D. 201,778 * 7/1965 Berman D20/32
- D. 348,293 * 6/1994 Hodge D21/630
- D. 403,514 * 1/1999 Beaumont D6/305
- D. 419,309 * 1/2000 Leon D6/305

* cited by examiner

Primary Examiner—Janice E. Seeger

(74) *Attorney, Agent, or Firm*—Mirick, O’Connell, DeMallie & Lougee, LLP

(57) **CLAIM**

The ornamental design for a figurine photograph holder, as shown and described.

DESCRIPTION

FIG. 1 is a front elevational view of a figurine photograph holder in accordance with a first embodiment of my new design;

FIG. 2 is a rear elevational view of the figurine photograph holder of FIG. 1;

FIG. 3 is a bottom plan view of the figurine photograph holder of FIG. 1;

FIG. 4 is a top plan view of the figurine photograph holder of FIG. 1;

FIG. 5 is a right side elevational view of the figurine photograph holder of FIG. 1, the left side being a mirror image thereof;

FIG. 6 is a front elevational view of a figurine photograph holder in accordance with a second embodiment of my new design;

FIG. 7 is a front elevational view of a figurine photograph holder in accordance with a third embodiment of my new design;

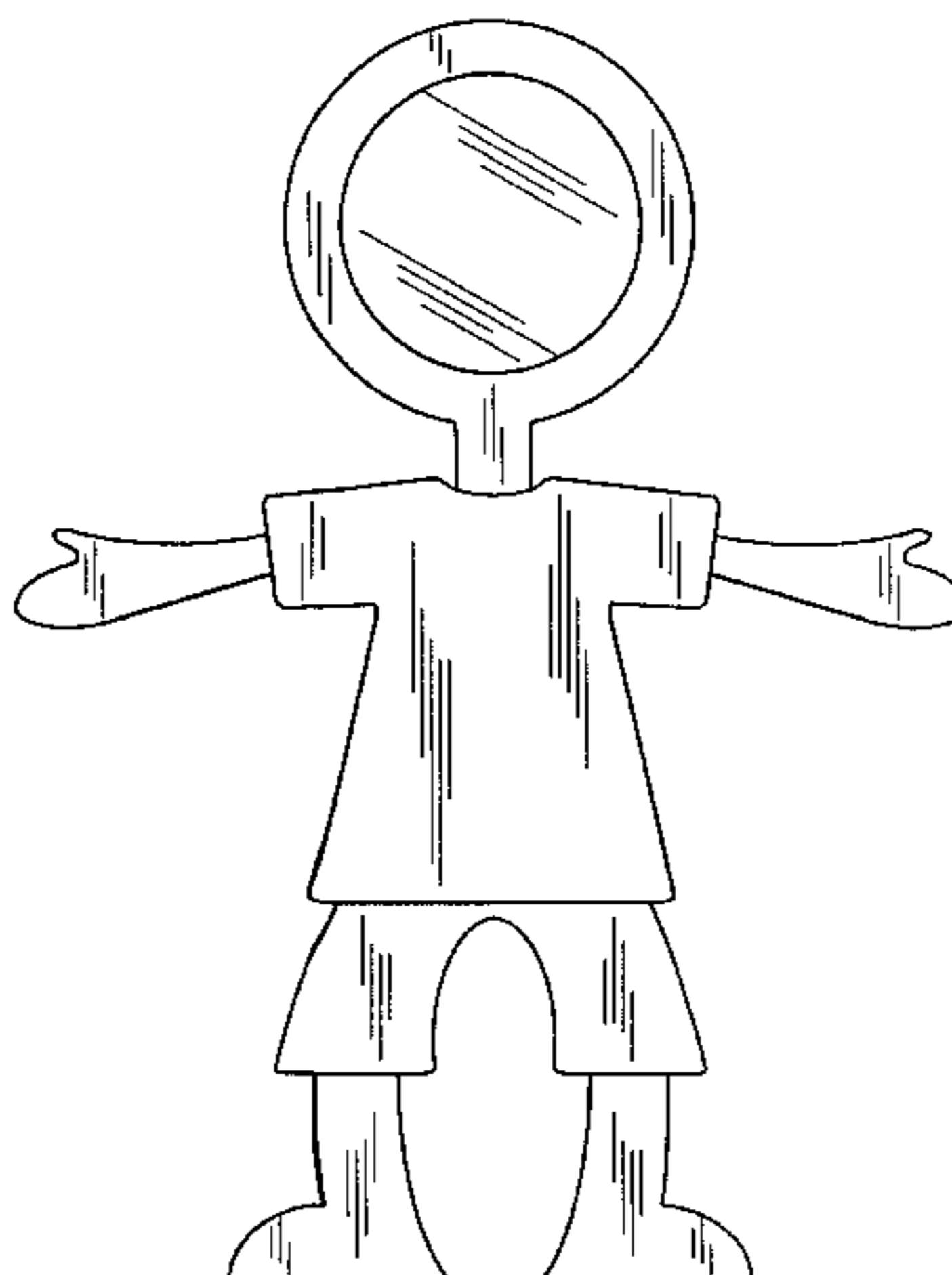
FIG. 8 is a front elevational view of a figurine photograph holder in accordance with a fourth embodiment of my new design;

FIG. 9 is a front elevational view of a figurine photograph holder in accordance with a fifth embodiment of my new design; and,

FIG. 10 is a front elevational view of a figurine photograph holder in accordance with a sixth embodiment of my new design.

The rear views of the embodiments shown in FIGS. 6-10 are substantially identical to the front views shown in those drawings.

1 Claim, 5 Drawing Sheets



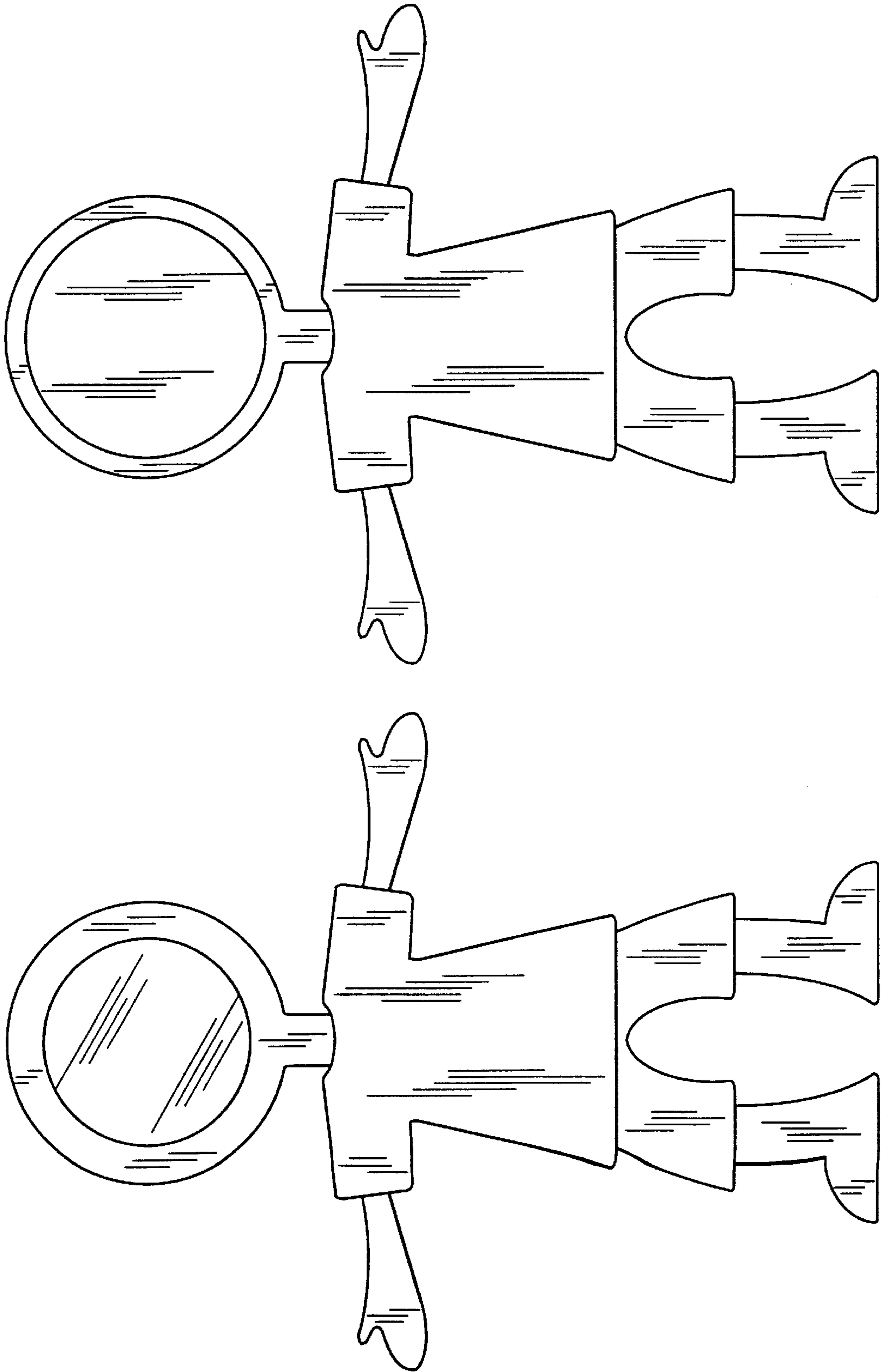


FIG. 1

FIG. 2

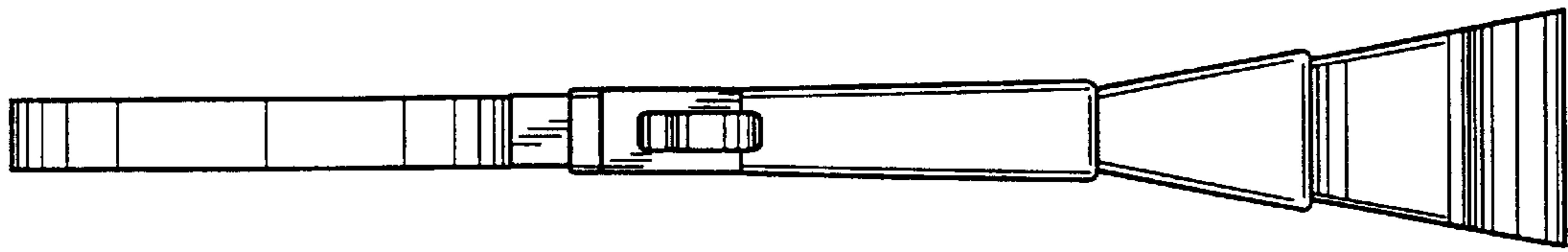


FIG. 5

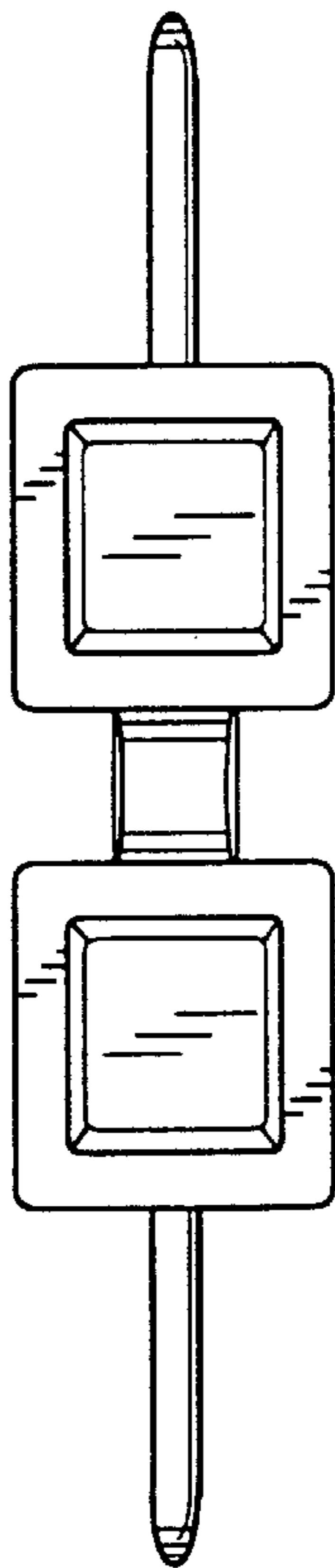


FIG. 3

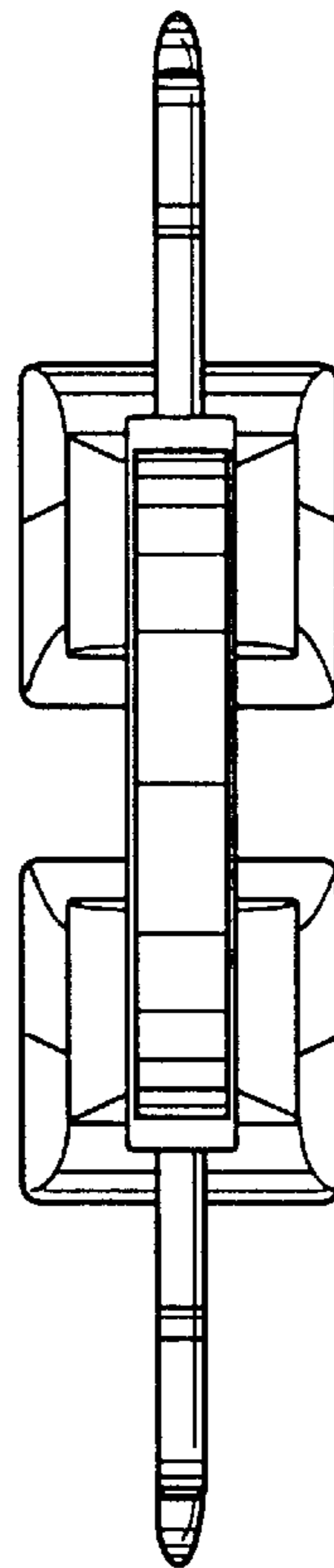


FIG. 4

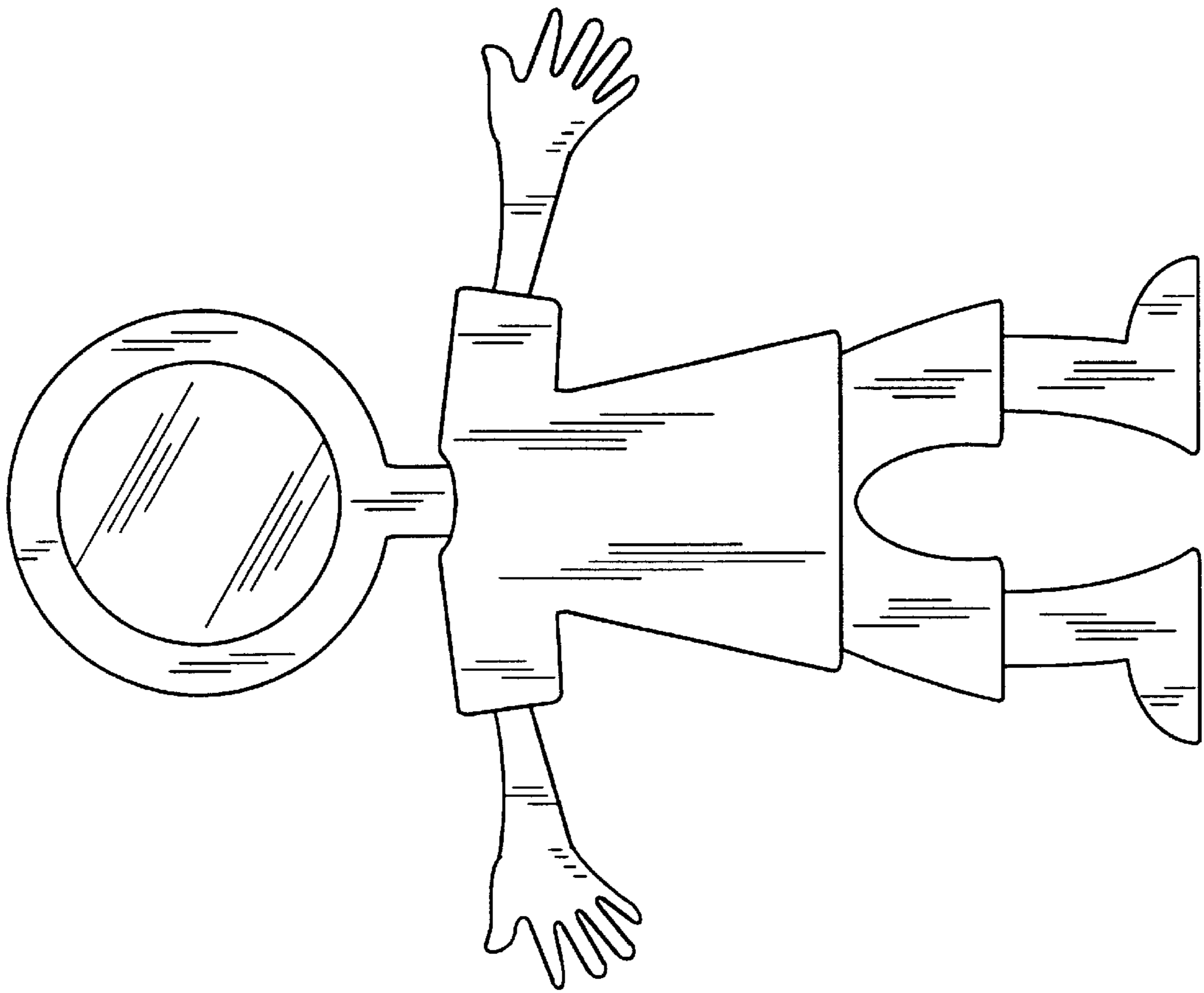


FIG. 7

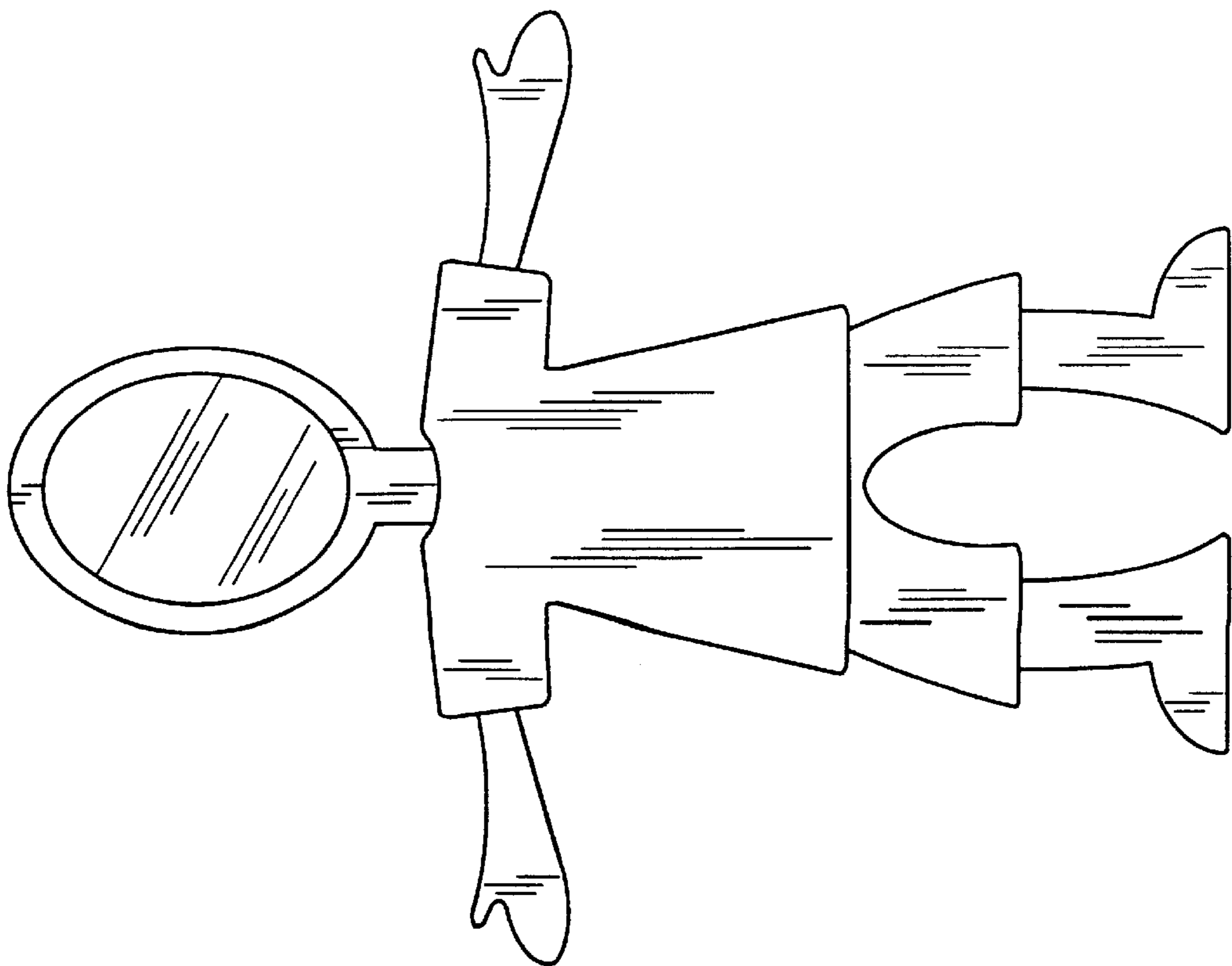


FIG. 6

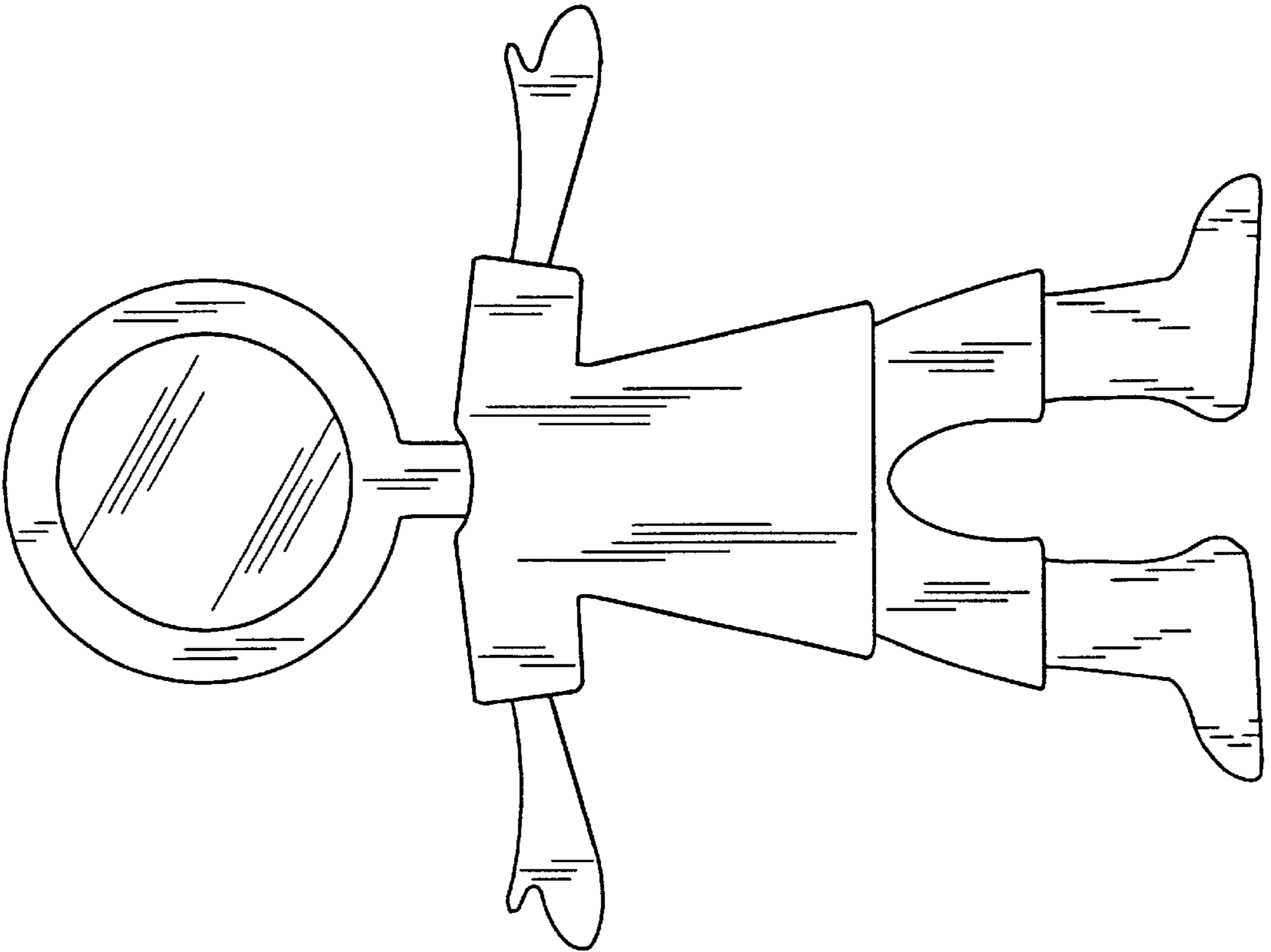


FIG. 9

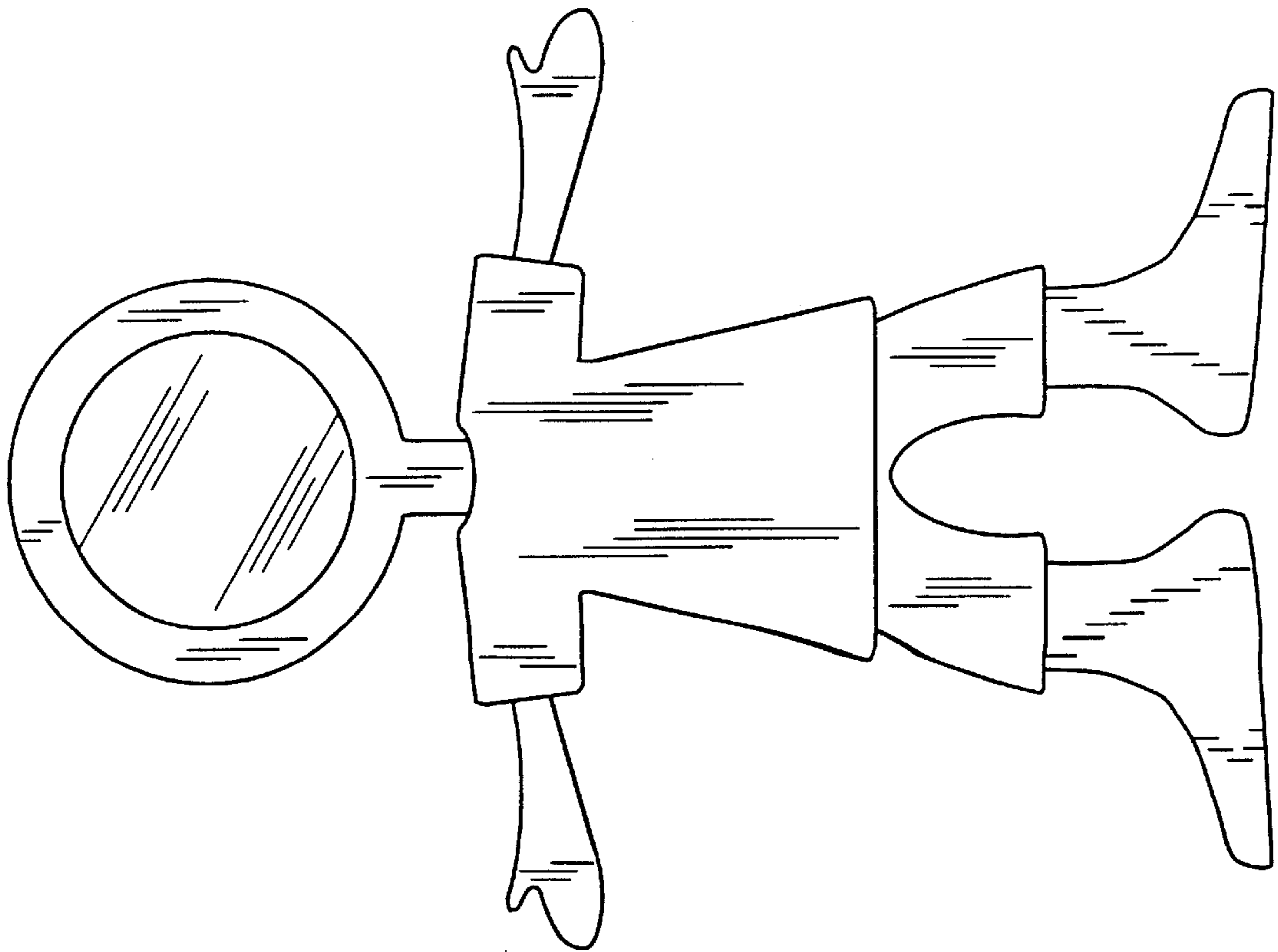


FIG. 8

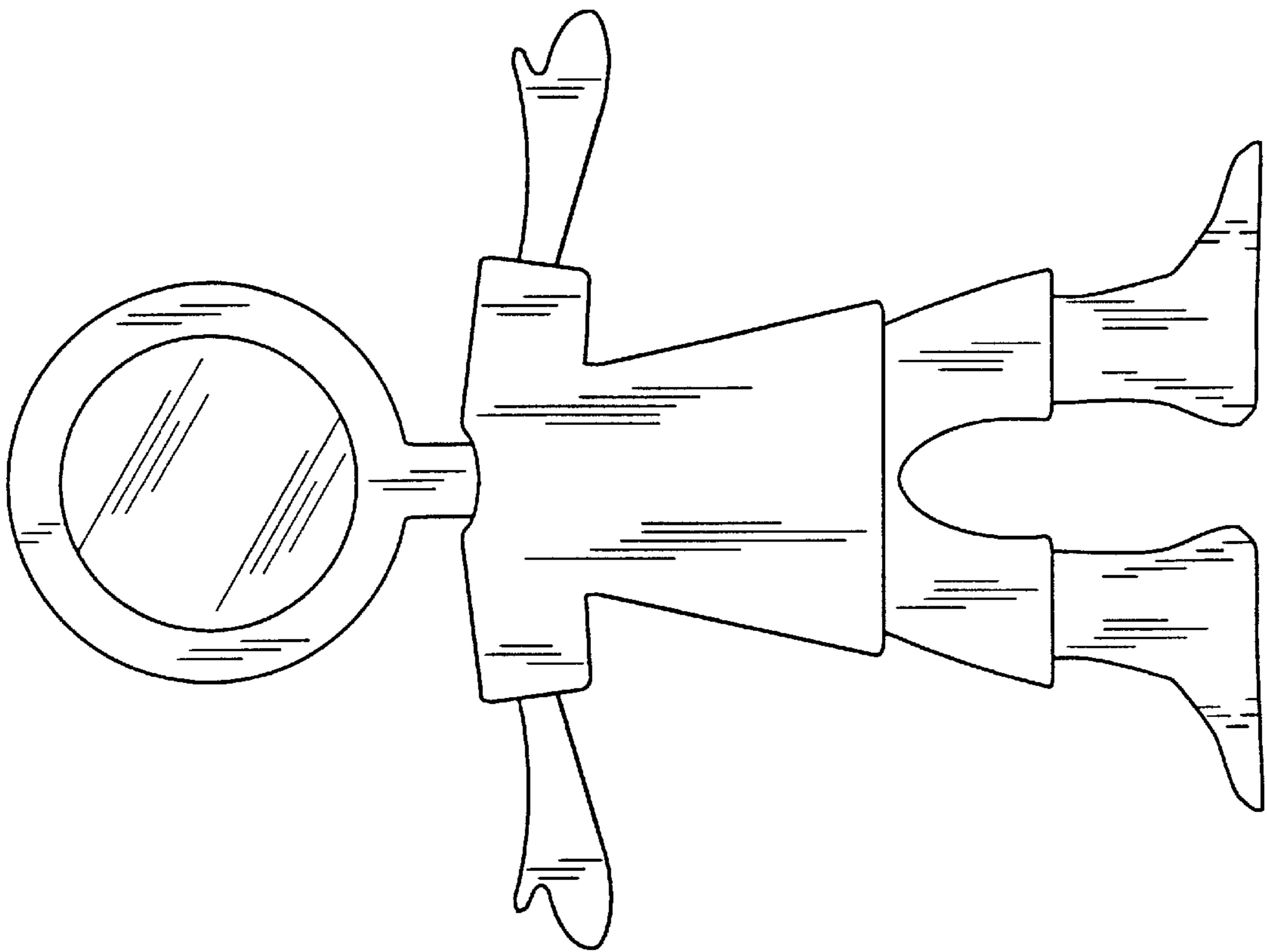


FIG. 10