



US00D437118S

(12) **United States Design Patent**
Cheng

(10) **Patent No.:** **US D437,118 S**

(45) **Date of Patent:** **** Feb. 6, 2001**

(54) **TOOTHBRUSH WITH TOOTHPASTE DISPENSER**

2,634,025 * 4/1953 Hausner 132/308 X
3,910,706 * 10/1975 Del Bon 401/286 X

(76) **Inventor:** **Chen-Kuang Cheng**, 53, Alley 21,
Lane 279, Chungcheng Road,
Yungkang, Tainan (TW)

* cited by examiner

(**) **Term:** **14 Years**

Primary Examiner—Alan P. Douglas
Assistant Examiner—Lavone Tabor
(74) *Attorney, Agent, or Firm*—Pro-Techtor International
Services

(21) **Appl. No.:** **29/109,794**

(57) **CLAIM**

(22) **Filed:** **Aug. 23, 1999**

The ornamental design for a toothbrush with toothpaste dispenser, as shown and described.

(51) **LOC (7) Cl.** **04-02**

(52) **U.S. Cl.** **D4/108**

DESCRIPTION

(58) **Field of Search** D4/101, 104-112,
D4/134, 138, 114; 132/308, 311; 401/171,
175, 268, 270, 275-277, 286, 281, 291;
15/29, 167.1

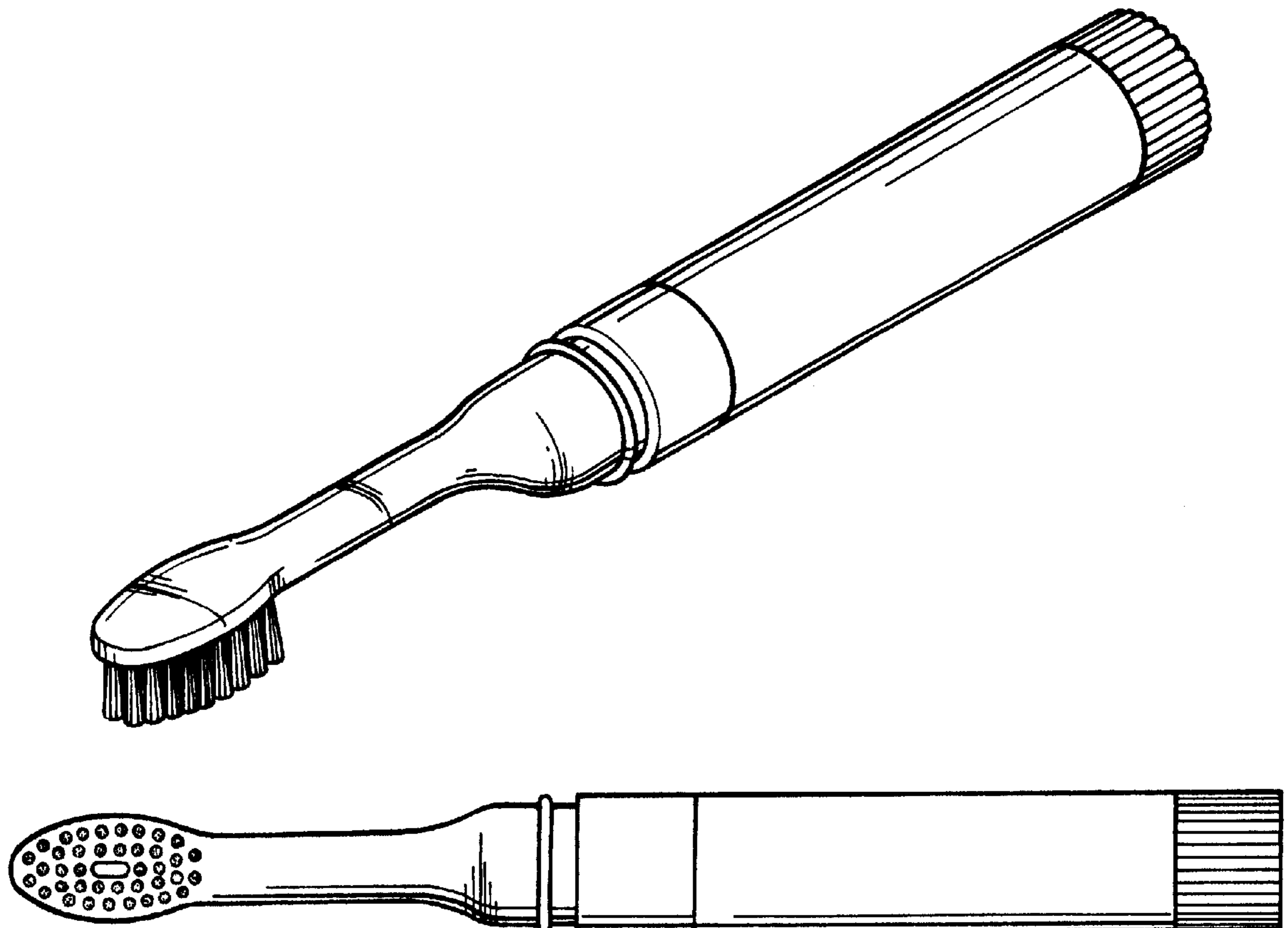
FIG. 1 is a perspective view of a toothbrush with toothpaste dispenser showing my new design;
FIG. 2 is a front elevational view of the design, the opposite side being a mirror image;
FIG. 3 is a left side elevational view of the design;
FIG. 4 is a right side elevational view of the design;
FIG. 5 is a top plan view of the design; and,
FIG. 6 is a bottom plan view of the design.

(56) **References Cited**

U.S. PATENT DOCUMENTS

- D. 233,574 * 11/1974 Reitknecht D4/108
- D. 336,567 * 6/1993 Glover et al. D4/108
- D. 362,340 * 9/1995 Vos D4/101

1 Claim, 3 Drawing Sheets



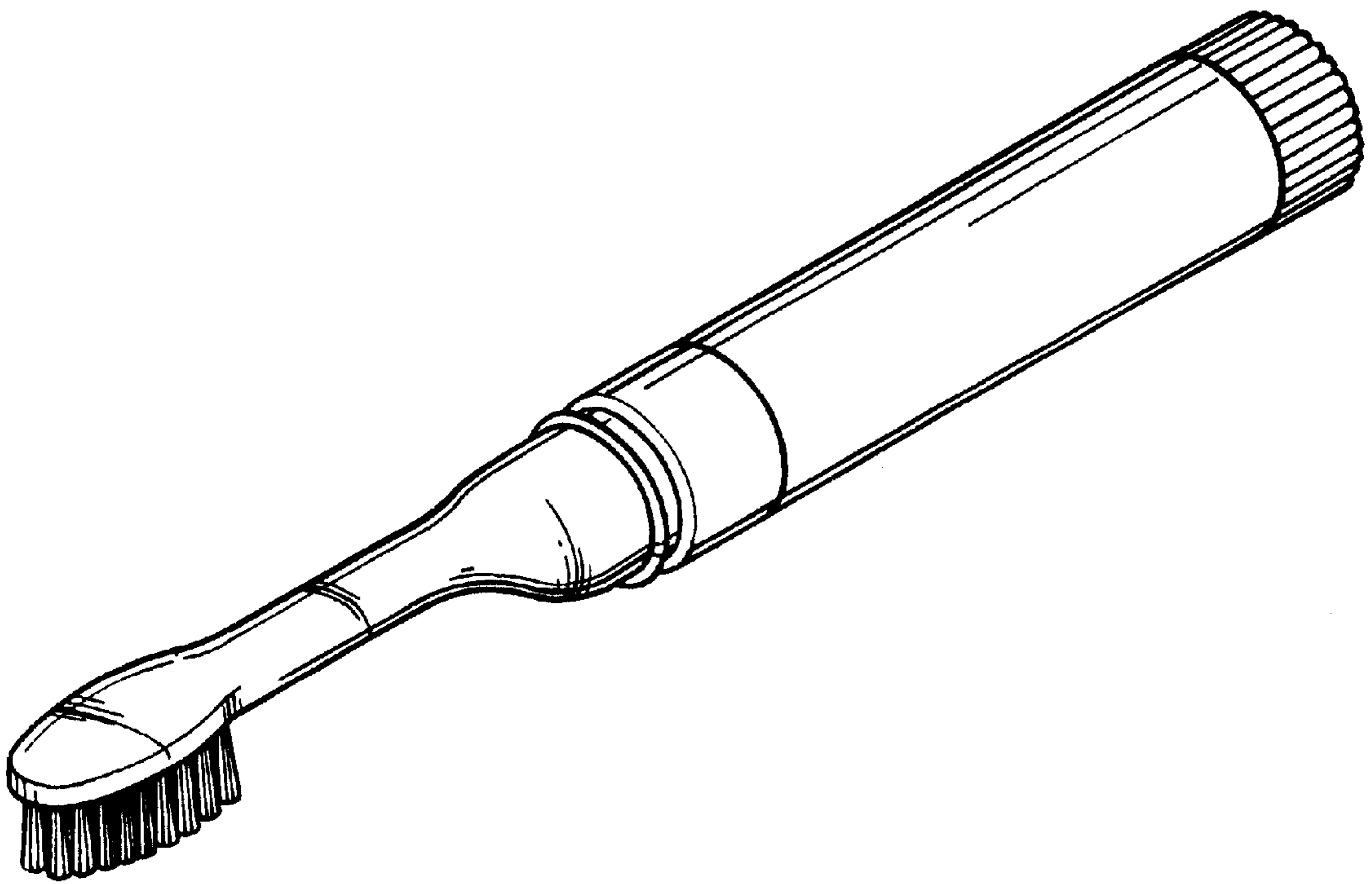


Fig.1

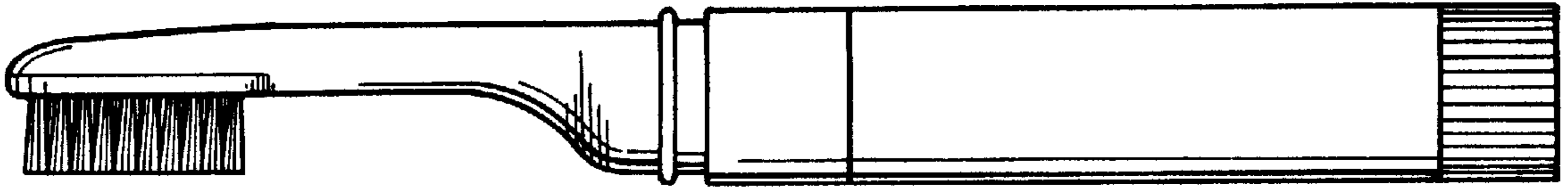


Fig. 2



Fig. 3

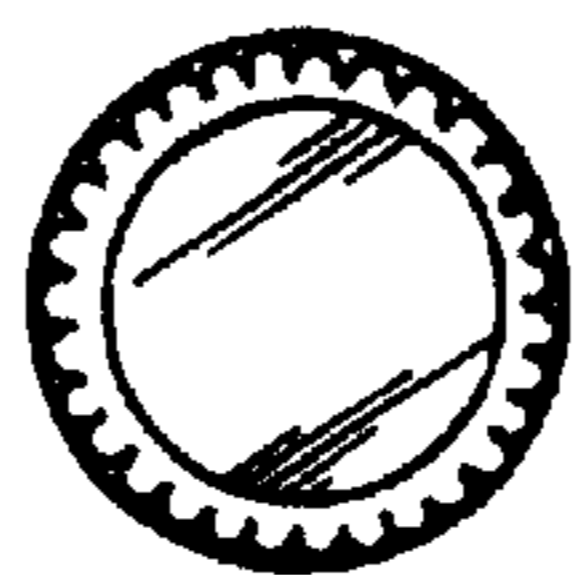


Fig. 4

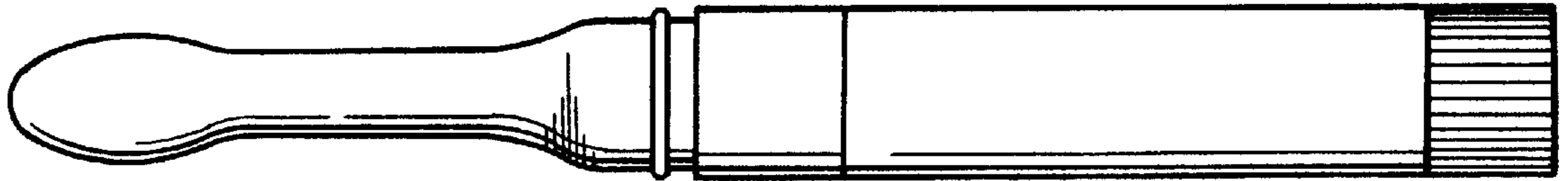


Fig.5

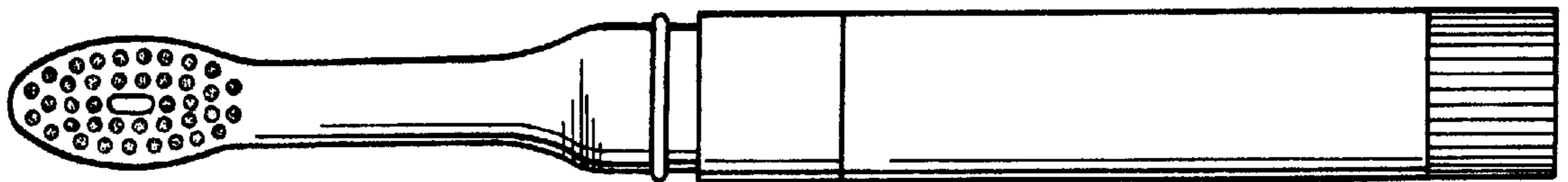


Fig.6