



US00D437116S

(12) **United States Design Patent**  
**Dembicks**

(10) **Patent No.:** **US D437,116 S**

(45) **Date of Patent:** **\*\* Feb. 6, 2001**

(54) **FOUR COMPARTMENT TRAY**

4,887,790 12/1989 Wilkinson et al. .  
5,753,456 5/1998 Naqui et al. .

(75) Inventor: **Andrew E. Dembicks**, Boca Raton, FL (US)

\* cited by examiner

(73) Assignee: **The Andrews Company**, Boca Raton, FL (US)

*Primary Examiner*—Louis S. Zarfaz  
*Assistant Examiner*—Catherine R. Oliver  
(74) *Attorney, Agent, or Firm*—Akerman Senterfitt

(\* ) Notice: This patent is subject to a terminal disclaimer.

(57) **CLAIM**

(\*\*) Term: **14 Years**

An ornamental design for a four compartment tray, as shown and described.

(21) Appl. No.: **29/107,503**

**DESCRIPTION**

(22) Filed: **Jul. 7, 1999**

(51) **LOC (7) Cl.** ..... **03-01**

(52) **U.S. Cl.** ..... **D3/313**

(58) **Field of Search** ..... D3/313, 201, 203,  
D3/304, 314; 206/561, 557; D7/553.1;  
220/507, 532, 533

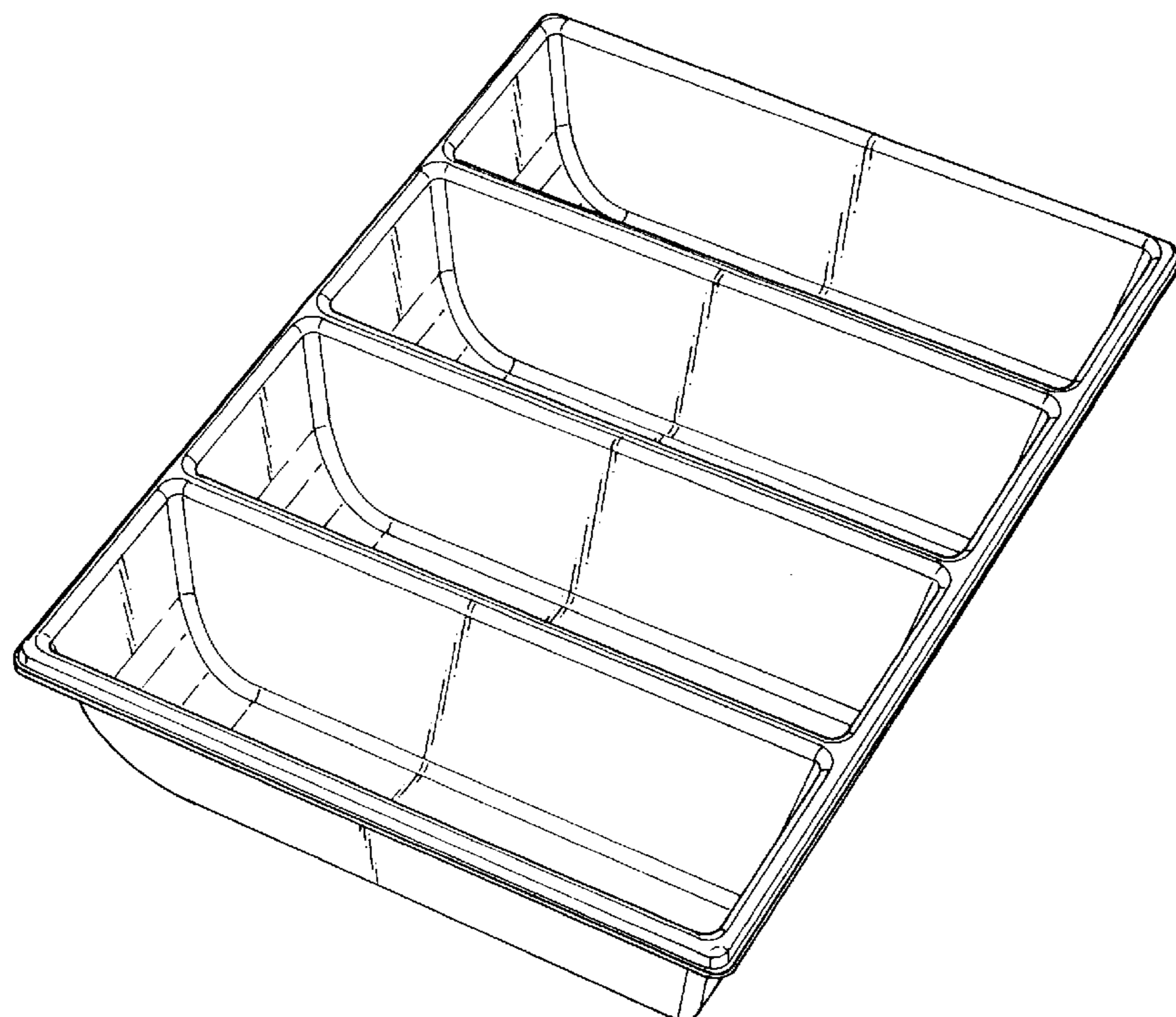
FIG. 1 is a perspective view of the four compartment tray according to the subject invention;  
FIG. 2 is a top view of the four compartment tray according to the subject invention;  
FIG. 3 is a bottom view of the four compartment tray according to the subject invention;  
FIG. 4 is a back view of the four compartment tray according to the subject invention  
FIG. 5 is a side view of the four compartment tray according to the subject invention  
FIG. 6 is a front view of the four compartment tray according to the subject invention  
FIG. 7 is a front cross-sectional view of the four compartment tray according to the subject invention, shown along lines 7—7 in FIG. 3; and,  
FIG. 8 is a side cross-sectional view of one of the compartments of the four compartment tray according to the subject invention, shown along lines 8—8 on FIG. 3.

(56) **References Cited**

**U.S. PATENT DOCUMENTS**

D. 278,255	4/1985	Evenson .	
D. 321,074	10/1991	Eby .	
1,418,324	* 6/1922	O'Connor	220/532
2,162,162	6/1939	Murguiondo .	
2,313,394	3/1943	Norris .	
2,788,912	* 4/1957	Simonsen	220/532
4,577,773	* 3/1986	Bitel	220/532
4,732,274	* 3/1988	Bouton	206/561
4,872,559	10/1989	Schoon .	

**1 Claim, 2 Drawing Sheets**



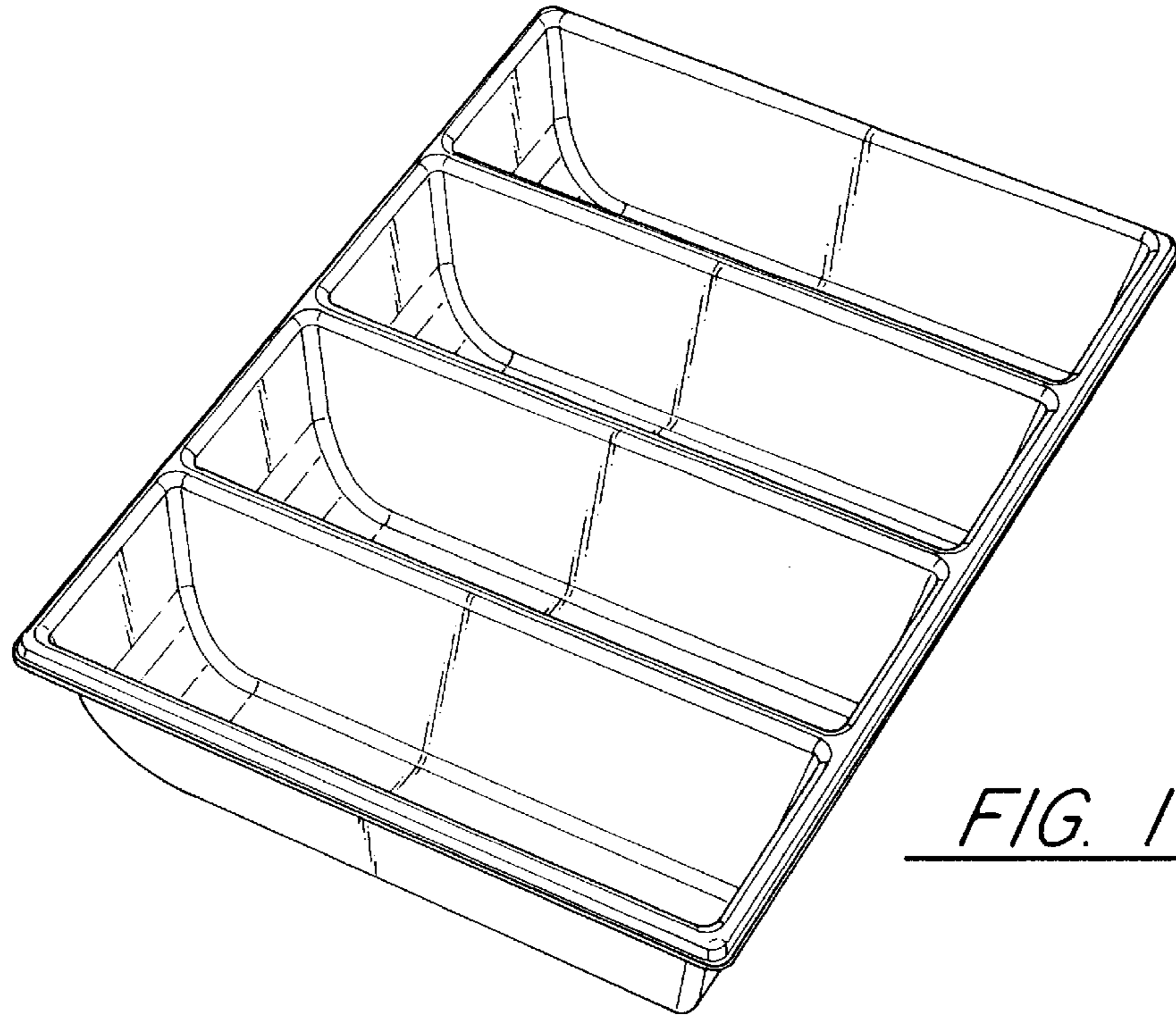


FIG. 1

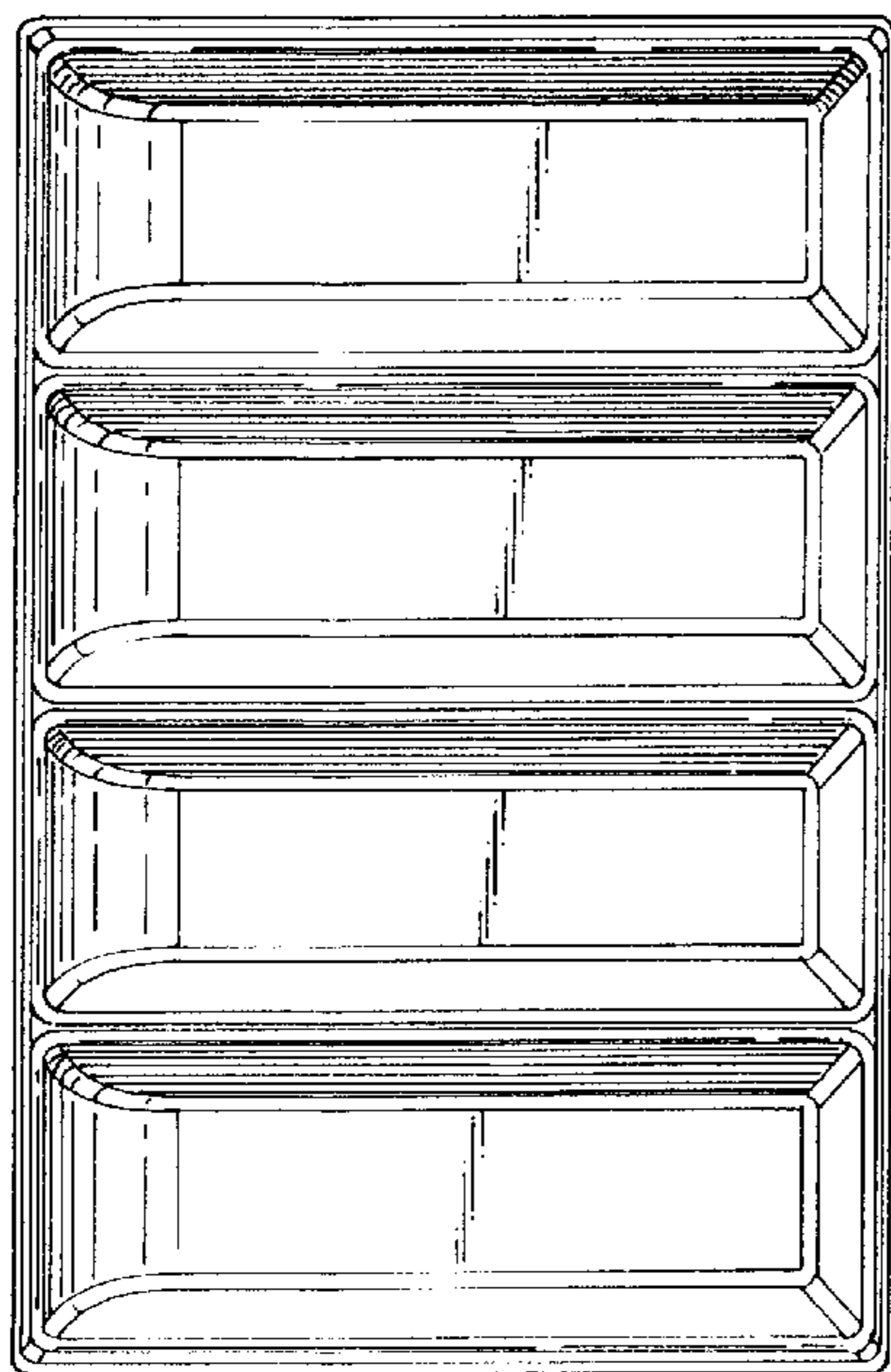


FIG. 2

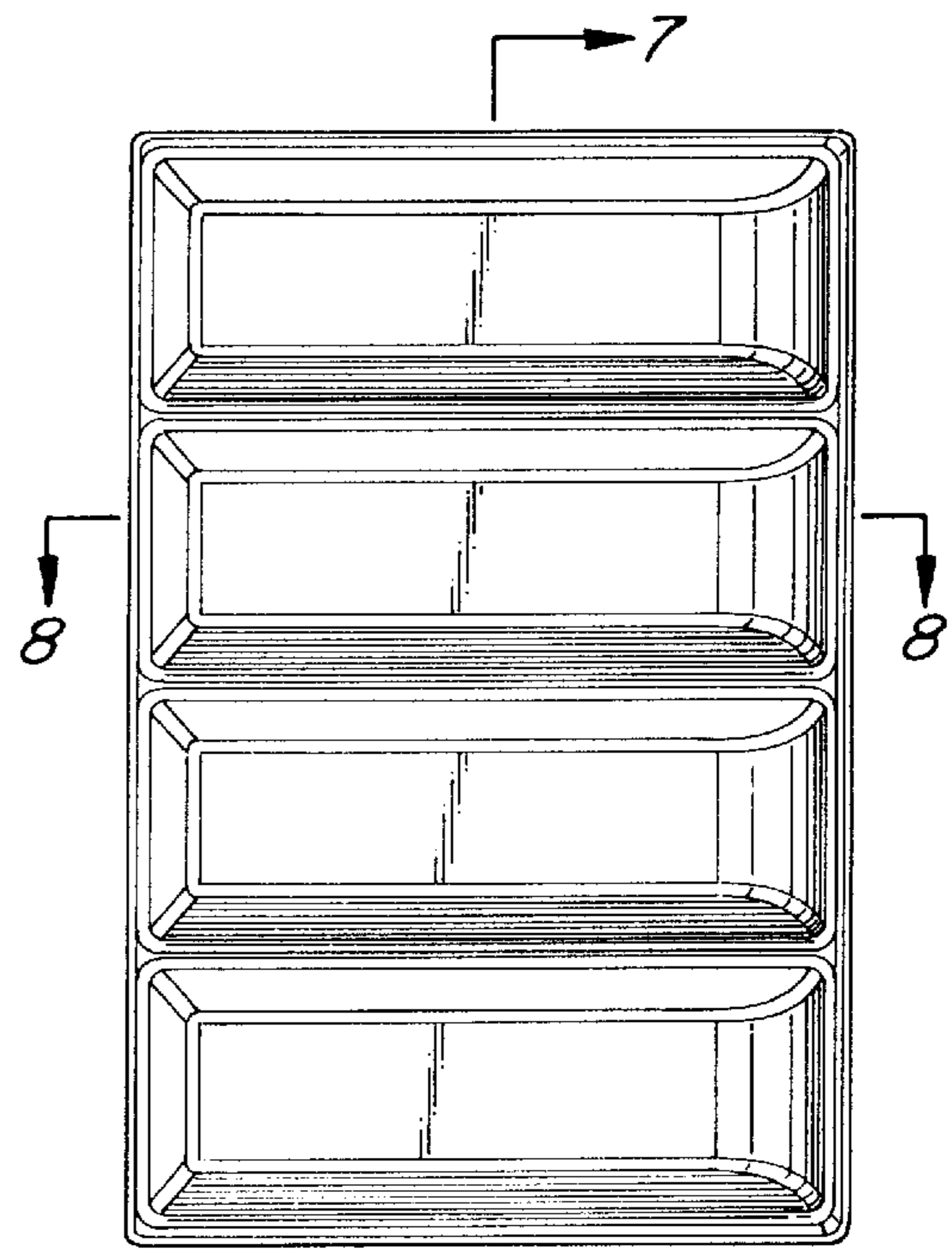


FIG. 3

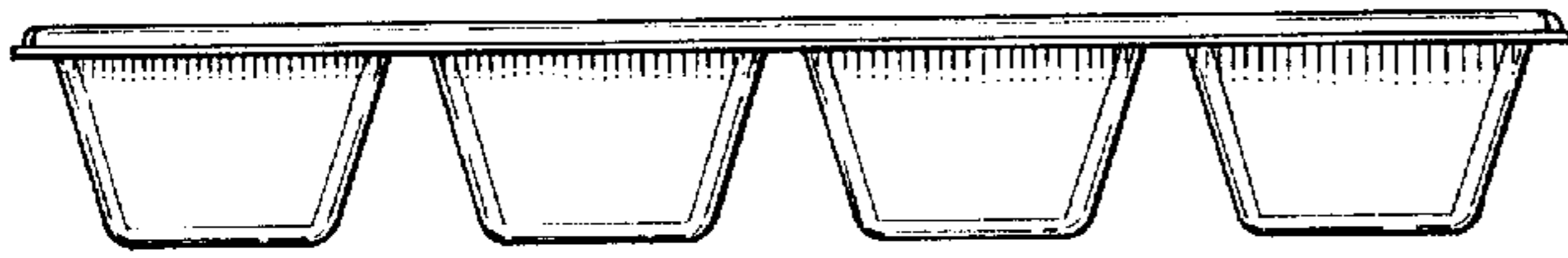


FIG. 4



FIG. 5

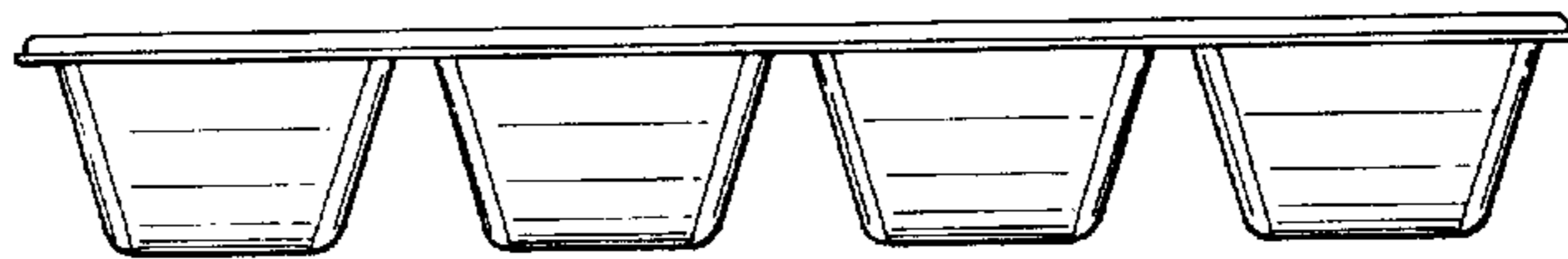


FIG. 6

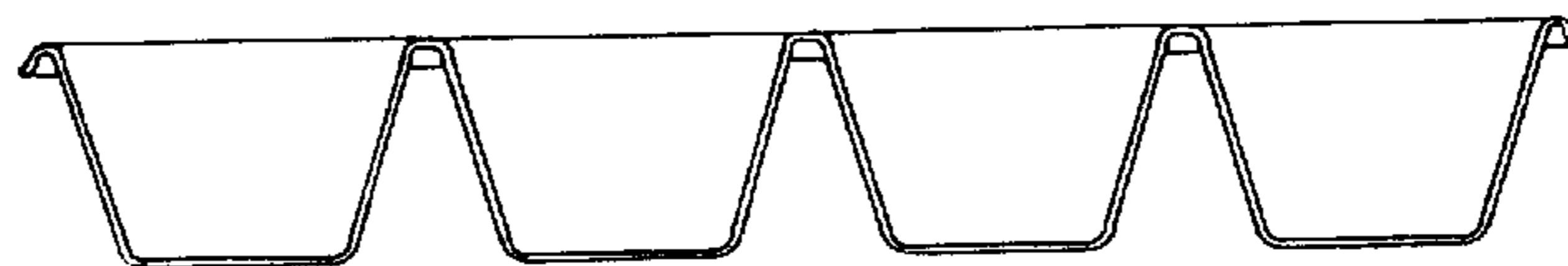


FIG. 7

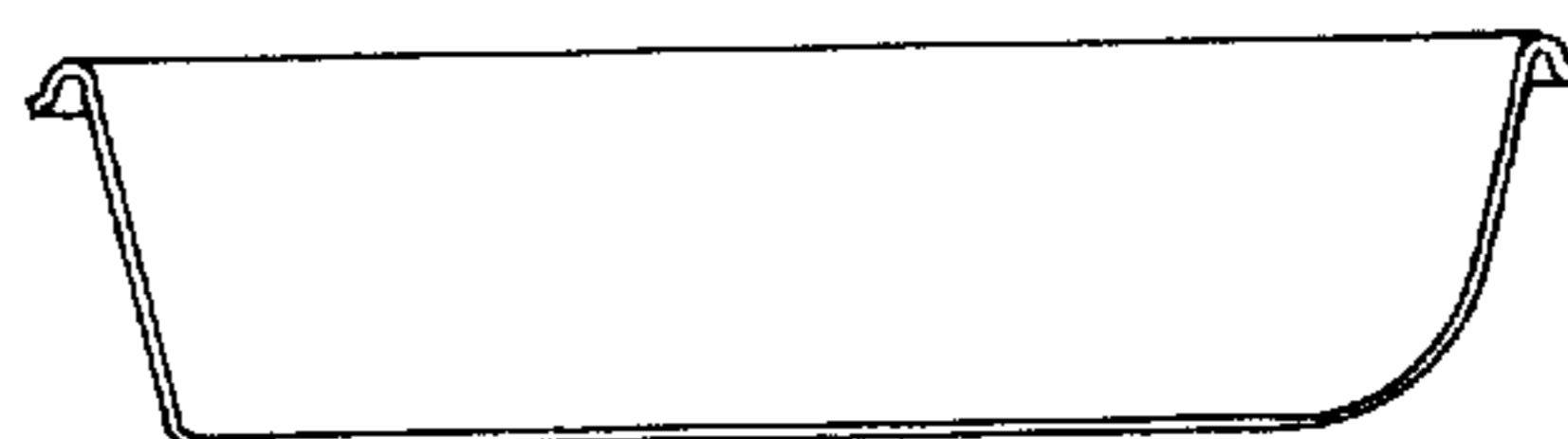


FIG. 8